



US00D549062S

(12) **United States Design Patent**
Buck

(10) **Patent No.:** **US D549,062 S**

(45) **Date of Patent:** **** Aug. 21, 2007**

(54) **NAILER**

(75) Inventor: **John E. Buck**, Cockeysville, MD (US)

(73) Assignee: **Black & Decker Inc.**, Newark, DE (US)

(**) Term: **14 Years**

(21) Appl. No.: **29/244,380**

(22) Filed: **Dec. 8, 2005**

(51) **LOC (8) Cl.** **08-05**

(52) **U.S. Cl.** **D8/69**

(58) **Field of Classification Search** 408/125,
408/234, 241 R, 20, 124; 451/358; 310/50;
227/8, 113, 114, 120, 130, 136, 142; D8/14.1,
D8/61, 62, 63, 64, 65, 66, 67, 68, 69, 70;
81/57.11, 429, 464, 465, 466, 469, 489; 173/13,
173/104, 114, 168, 169, 170, 171, 178, 201,
173/211, 213, 217
See application file for complete search history.

(56) **References Cited**

U.S. PATENT DOCUMENTS

D316,022 S *	4/1991	Moraht	D8/69
D338,818 S *	8/1993	Katsuba	D6/62
5,720,422 A *	2/1998	Ichikawa et al.	227/120
6,189,759 B1 *	2/2001	Canlas et al.	227/120
D459,184 S *	6/2002	Buck	D8/69
D459,185 S *	6/2002	Buck	D8/69
D477,760 S *	7/2003	Chang	D8/68
D477,762 S *	7/2003	Bor	D8/68
D478,490 S *	8/2003	Wu	D8/68
D479,110 S *	9/2003	Nolan et al.	D8/68

D498,127 S *	11/2004	Leasure	D8/68
D499,321 S *	12/2004	Buck et al.	D8/68
6,896,165 B1 *	5/2005	Wang	227/136
D512,621 S *	12/2005	Thomas et al.	D8/69
D512,622 S *	12/2005	Thomas	D8/69
D514,412 S *	2/2006	Lawrence et al.	D8/68
D516,400 S *	3/2006	Yang	D8/69
D517,886 S *	3/2006	Thomas et al.	D8/69
2001/0006183 A1 *	7/2001	Mukoyama et al.	227/8
2005/0205638 A1 *	9/2005	Wang	227/8
2006/0000863 A1 *	1/2006	McGee et al.	227/8
2006/0108391 A1 *	5/2006	Leasure	227/120

FOREIGN PATENT DOCUMENTS

GB 3001056 S * 1/2002

* cited by examiner

Primary Examiner—T. Chase Nelson

(74) *Attorney, Agent, or Firm*—Scott B. Markow

(57) **CLAIM**

The ornamental design for a nailer, as shown and described.

DESCRIPTION

FIG. 1 is a left/front perspective view of the nailer.

FIG. 2 is a front elevational view thereof.

FIG. 3 is a rear elevational view thereof.

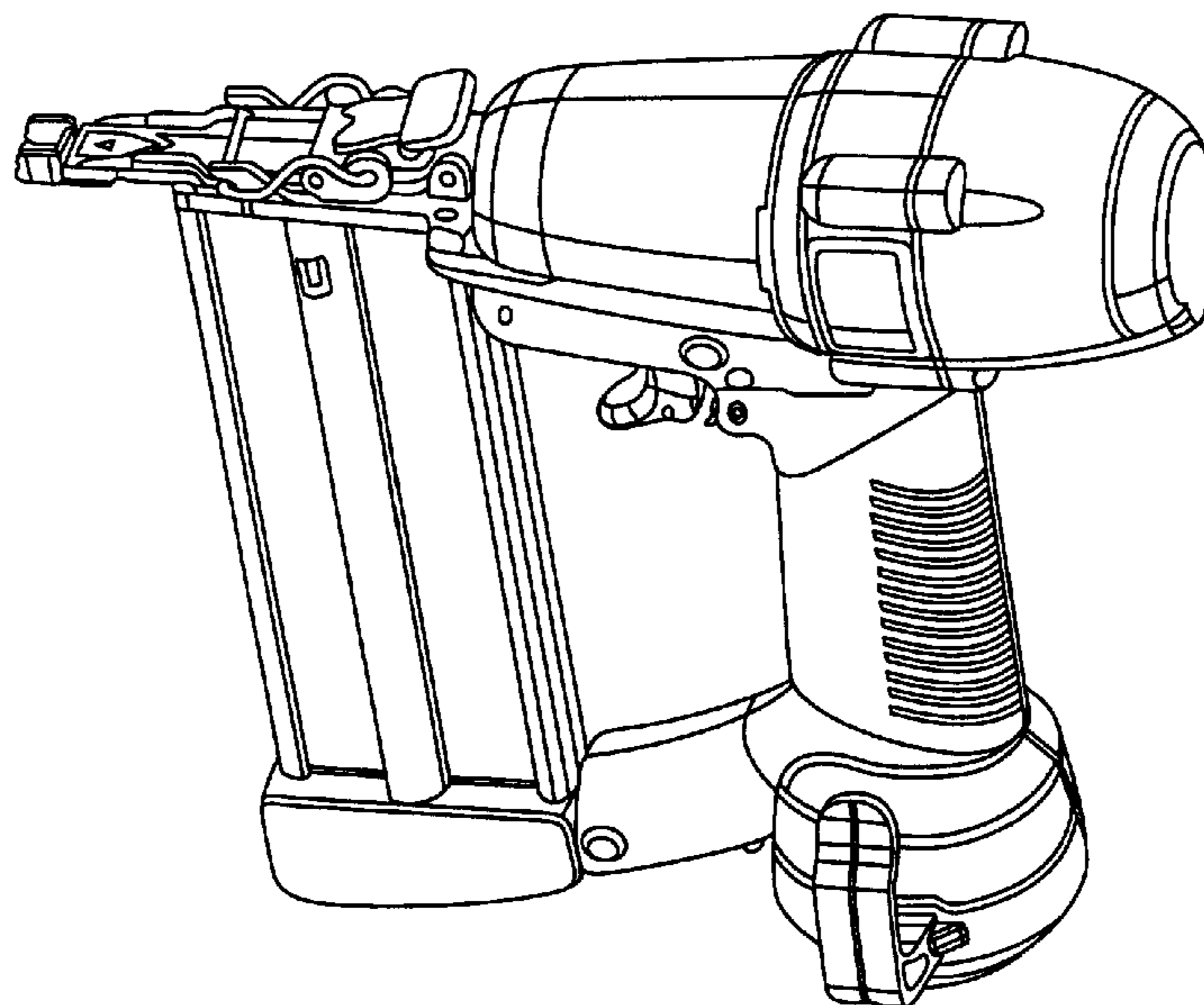
FIG. 4 is a left elevational view thereof.

FIG. 5 is a right elevational view thereof.

FIG. 6 is a top plan view thereof; and,

FIG. 7 is a bottom plan view thereof.

1 Claim, 7 Drawing Sheets



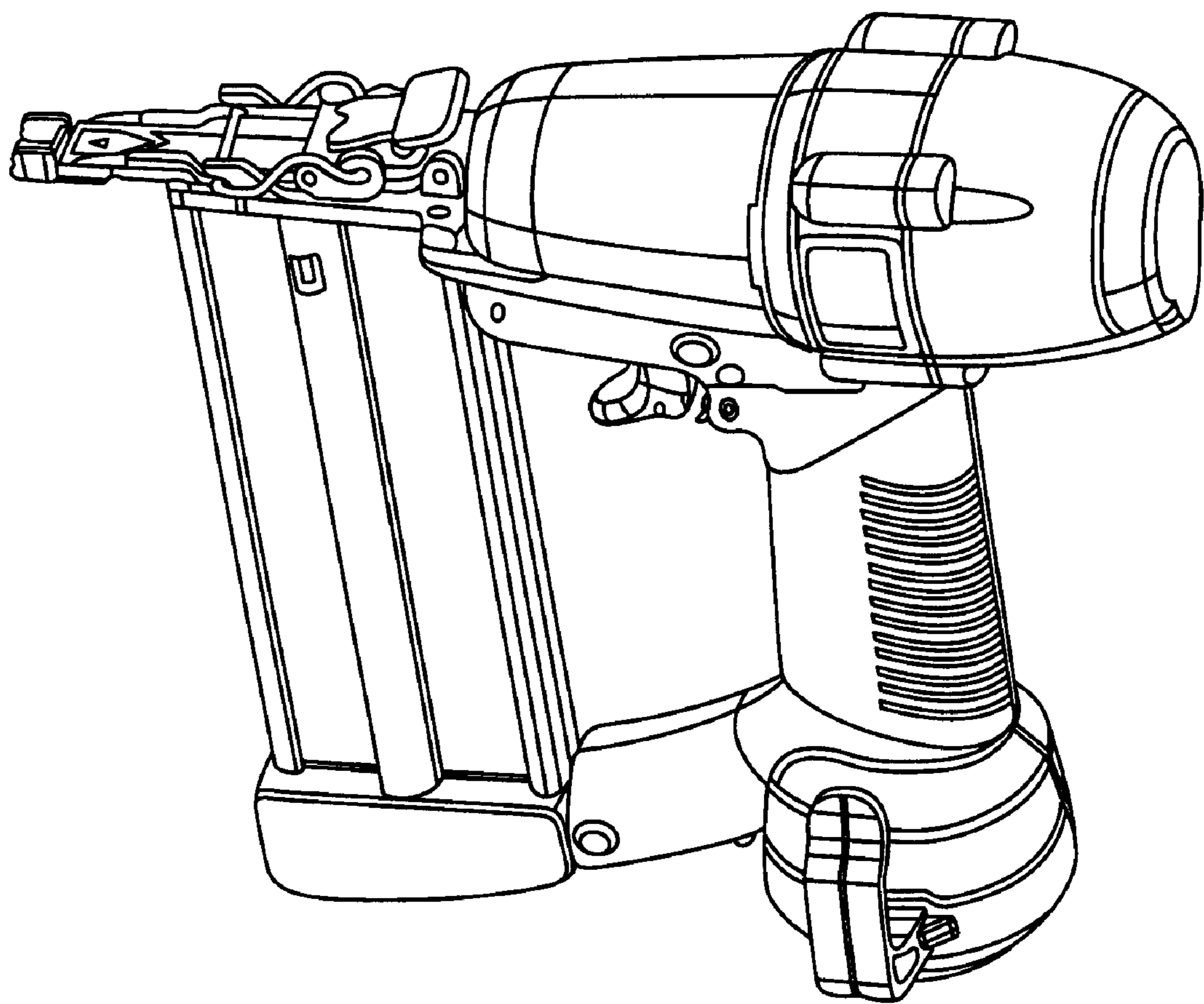


FIG. 1

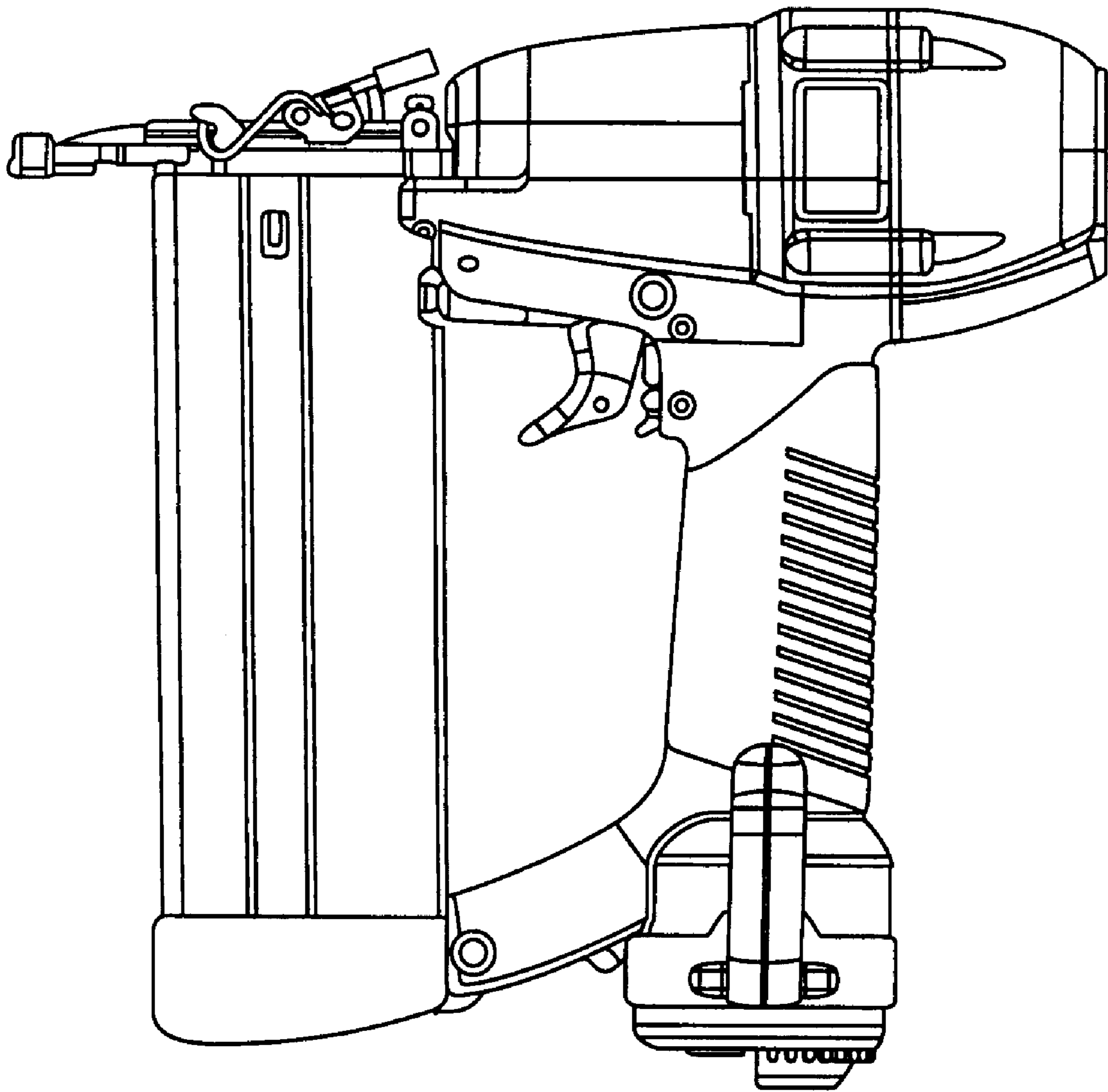


FIG. 2

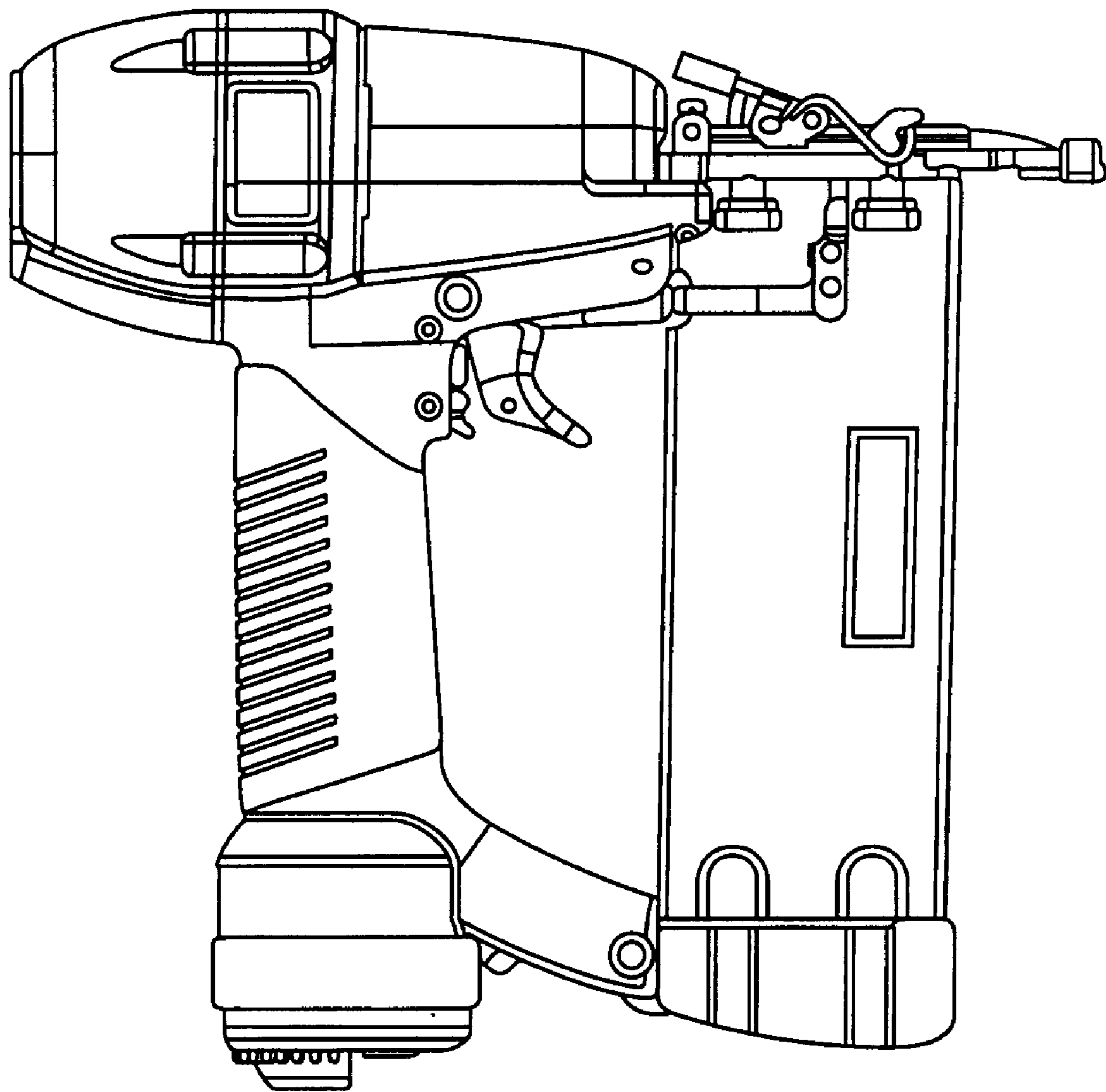


FIG. 3

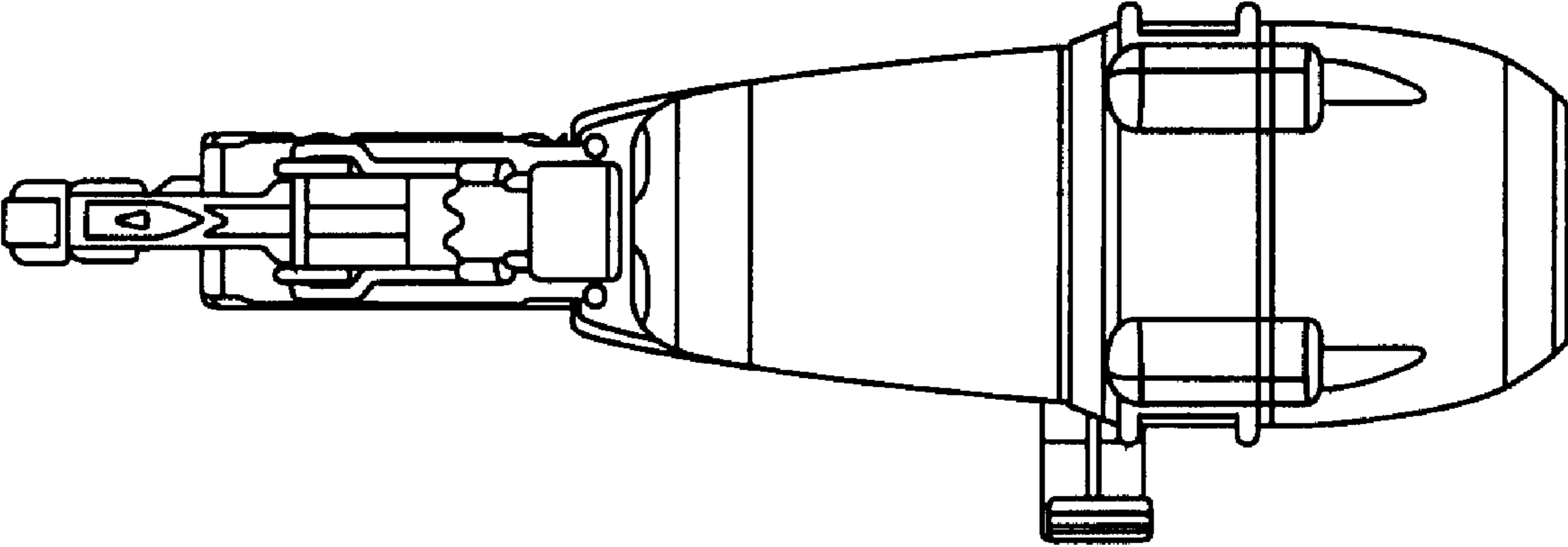


FIG. 4

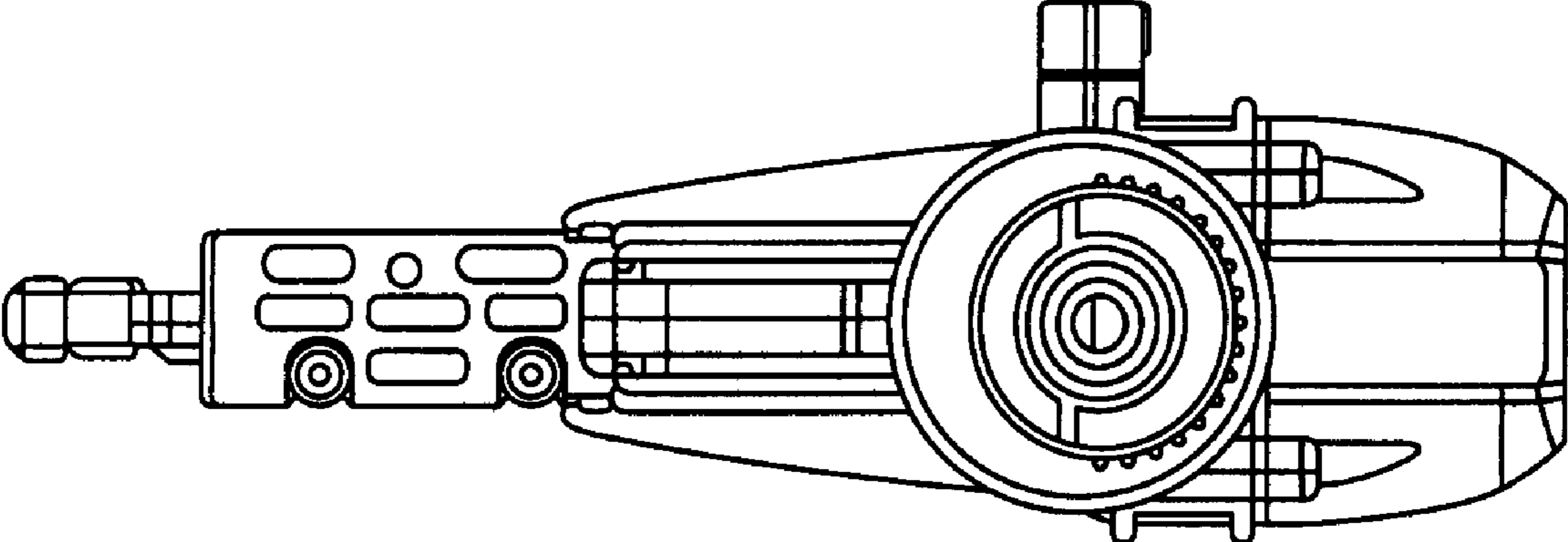


FIG. 5

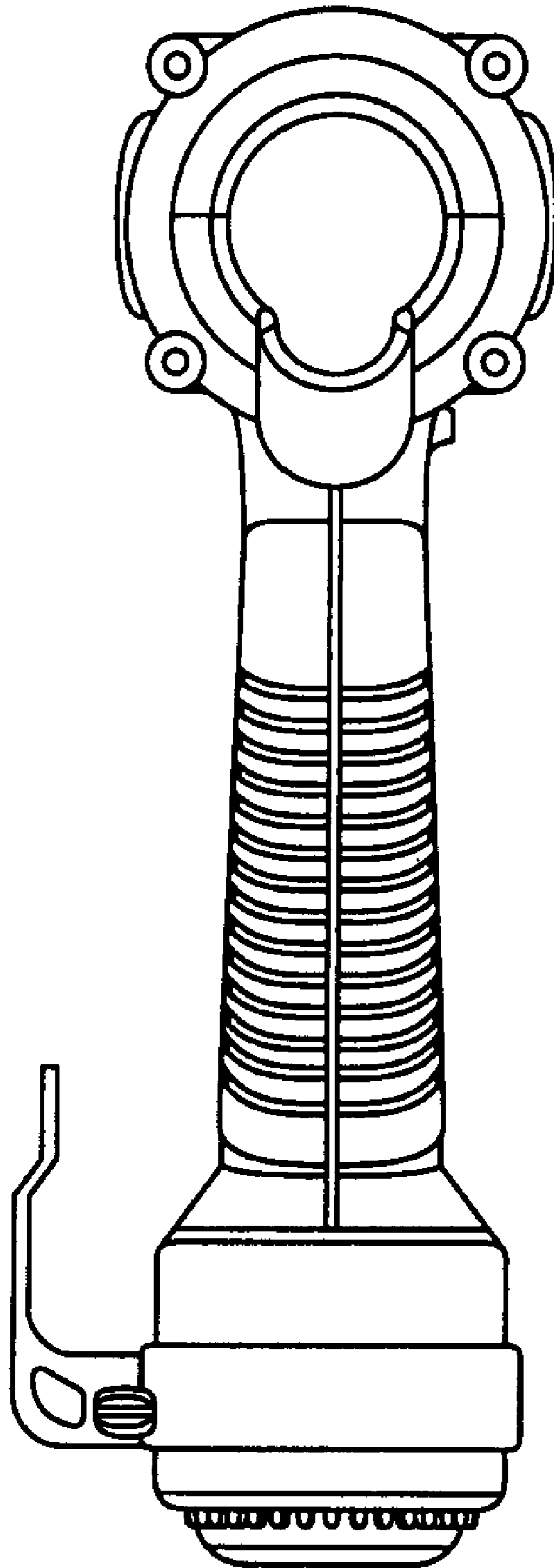


FIG. 6

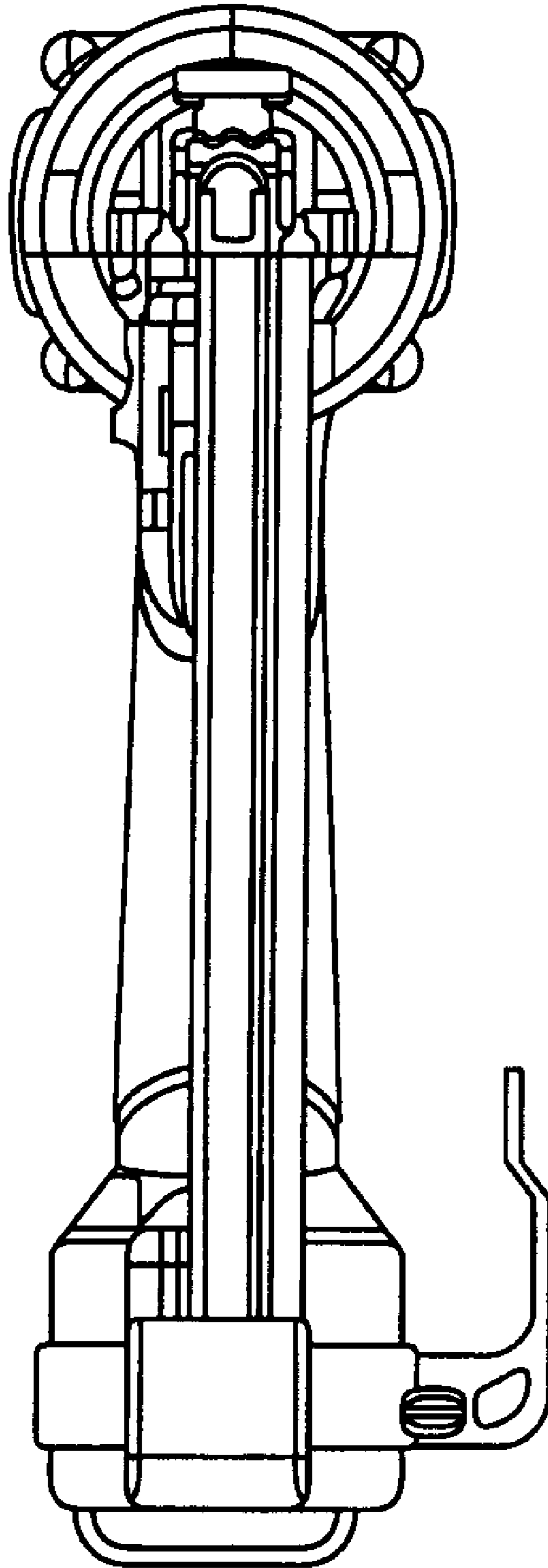


FIG. 7