

US00D549060S

(12) **United States Design Patent** (10) **Patent No.:** **US D549,060 S**
Kavovit et al. (45) **Date of Patent:** **** Aug. 21, 2007**

(54) **PORTABLE DRILL, BATTERY, ADAPTER,
AND BATTERY POUCH SET**

(75) Inventors: **Barbara Kavovit**, New York, NY (US);
Read Worth, Princeton, NJ (US);
Shelley Chen, Taipei (TW)

(73) Assignee: **Barbara K Enterprises, Inc.**, New
York, NY (US)

(**) Term: **14 Years**

(21) Appl. No.: **29/217,964**

(22) Filed: **Nov. 22, 2004**

(51) **LOC (8) Cl.** **08-01**

(52) **U.S. Cl.** **D8/68; D8/70**

(58) **Field of Classification Search** D8/14.1,
D8/61, 62, 63, 64, 65, 66, 67, 68, 69, 70;
81/57.11, 429, 464, 465, 466, 469, 489; 173/13,
173/104, 114, 168, 169, 170, 171, 178, 201,
173/211, 213, 217; 408/20, 124, 125, 234,
408/241 R; 451/358; 310/50; 227/8, 113,
227/114, 120, 130, 136, 142; D13/103
See application file for complete search history.

(56) **References Cited**

U.S. PATENT DOCUMENTS

D378,268 S * 3/1997 Schultz D8/68
D386,662 S * 11/1997 Tozawa et al. D8/68
D396,177 S * 7/1998 Schultz D8/68
D419,413 S * 1/2000 Heun D8/68
D420,877 S * 2/2000 Schultz D8/68
D421,883 S * 3/2000 Watson et al. D8/68
D435,414 S * 12/2000 Etter et al. D8/68
D436,511 S * 1/2001 Hayakawa et al. D8/68
6,308,378 B1 * 10/2001 Mooty et al. 81/489
D467,483 S * 12/2002 Heun D8/68
D469,674 S * 2/2003 Chung D8/68
D469,675 S * 2/2003 Chung D8/68
6,552,904 B2 * 4/2003 Fung 310/50
D481,672 S * 11/2003 Niwa et al. D13/103

D482,253 S * 11/2003 Cooper et al. D8/68
D496,843 S * 10/2004 Sugawara et al. D8/68
D501,384 S * 2/2005 Wright et al. D8/68
D506,914 S * 7/2005 Okuda D8/68
D508,837 S * 8/2005 Andriolo D8/68
D510,007 S * 9/2005 Yamamoto D8/68
D511,080 S * 11/2005 Koch et al. D8/68
D512,961 S * 12/2005 Okuda et al. D13/103

FOREIGN PATENT DOCUMENTS

GB 03000001 S * 12/2001

* cited by examiner

Primary Examiner—T. Chase Nelson

(74) *Attorney, Agent, or Firm*—Schweitzer Cornman Gross
& Bondell LLP

(57) **CLAIM**

The ornamental design for a portable drill, battery, adapter,
and battery pouch set as shown and described.

DESCRIPTION

FIG. 1 is a front perspective view of the portable drill of the
portable drill, battery, adapter, and battery pouch set of the
invention;

FIG. 2 is a front elevation view thereof;

FIG. 3 is a top plan view thereof;

FIG. 4 is a side elevation view thereof, the other side being
a mirror image;

FIG. 5 is a rear elevation view thereof;

FIG. 6 is a bottom plan view thereof;

FIG. 7 is a front perspective view of the battery of the
portable drill, battery, adapter, and battery pouch set;

FIG. 8 is a rear elevation view thereof;

FIG. 9 is a top plan view thereof;

FIG. 10 is a side elevation view thereof, the other side being
a mirror image;

FIG. 11 is a front elevation view thereof;

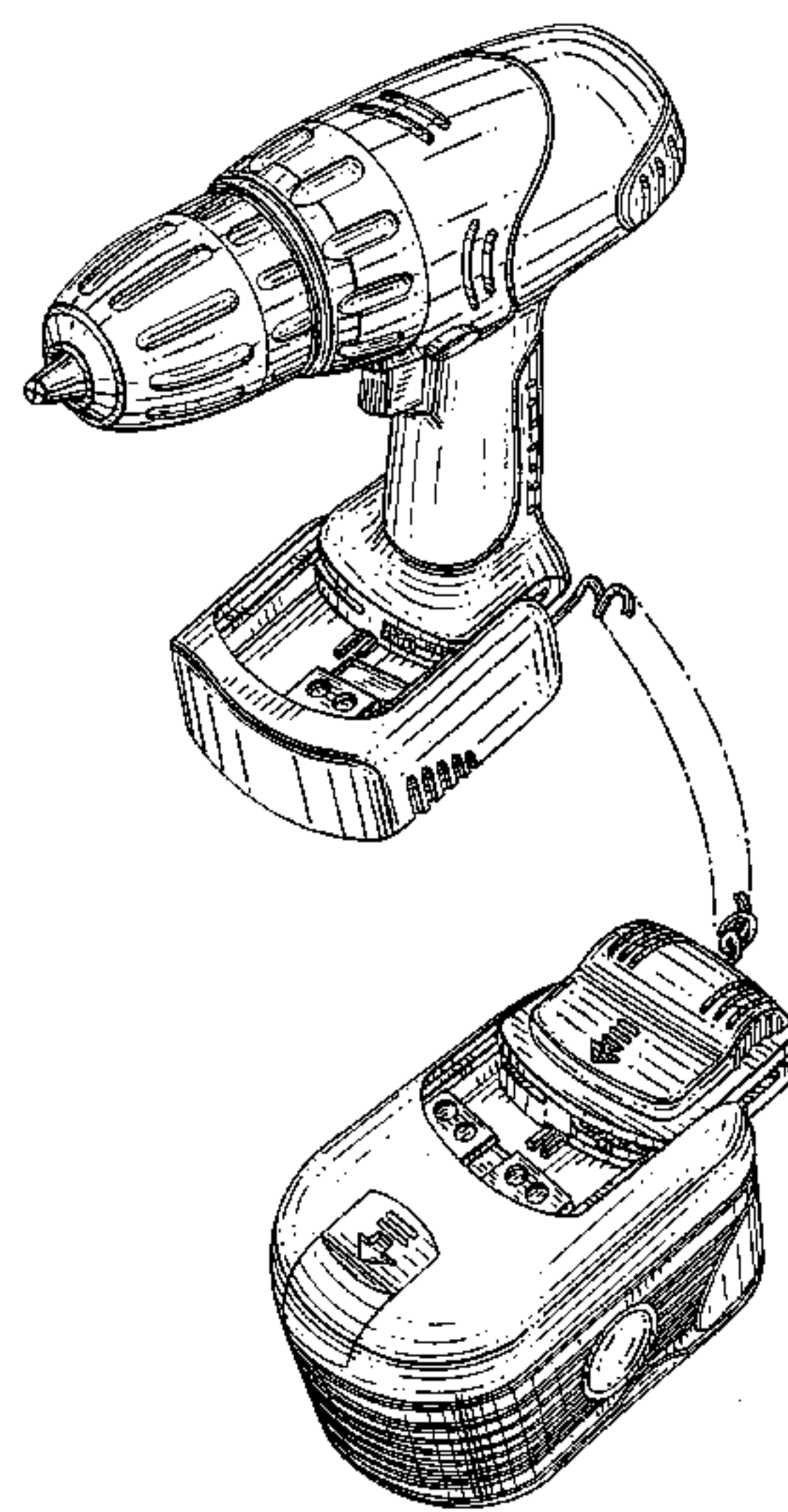


FIG. 12 is a bottom plan view thereof;

FIG. 13 is a front perspective view of the adapter of the portable drill, battery, adapter, and battery pouch set;

FIG. 14 is a rear elevation view thereof;

FIG. 15 is a top plan view thereof;

FIG. 16 is a front elevation view thereof;

FIG. 17 is a side elevation view thereof, the other side being a mirror image;

FIG. 18 is a bottom plan view thereof;

FIG. 19 is a front perspective view of the portable drill, battery, and adapter of the portable drill, battery, adapter, and battery pouch set shown partially assembled for illustration purposes;

FIG. 20 is a perspective view of the battery pouch of the portable drill, battery, adapter, and battery pouch set;

FIG. 21 is a rear elevation view thereof;

FIG. 22 is a top plan view thereof;

FIG. 23 is a side elevation view thereof, the other side being a mirror image;

FIG. 24 is a front elevation view thereof; and,

FIG. 25 is a bottom plan view thereof.

The alternating long and short broken lines in the FIGS. 13, 14, 15, 16, 17, 18, and 19 views indicate the order of assembly of the components of the portable drill, battery, adapter, and battery pouch set, and form no part of the claimed design. Additionally, the cords in the same views are shown broken away in order to indicate that a specific length of cord is not part of the claimed design. It is furthermore noted that the short broken lines indicating the point at which the cords are shown broken away form no part of the claimed design.

1 Claim, 9 Drawing Sheets

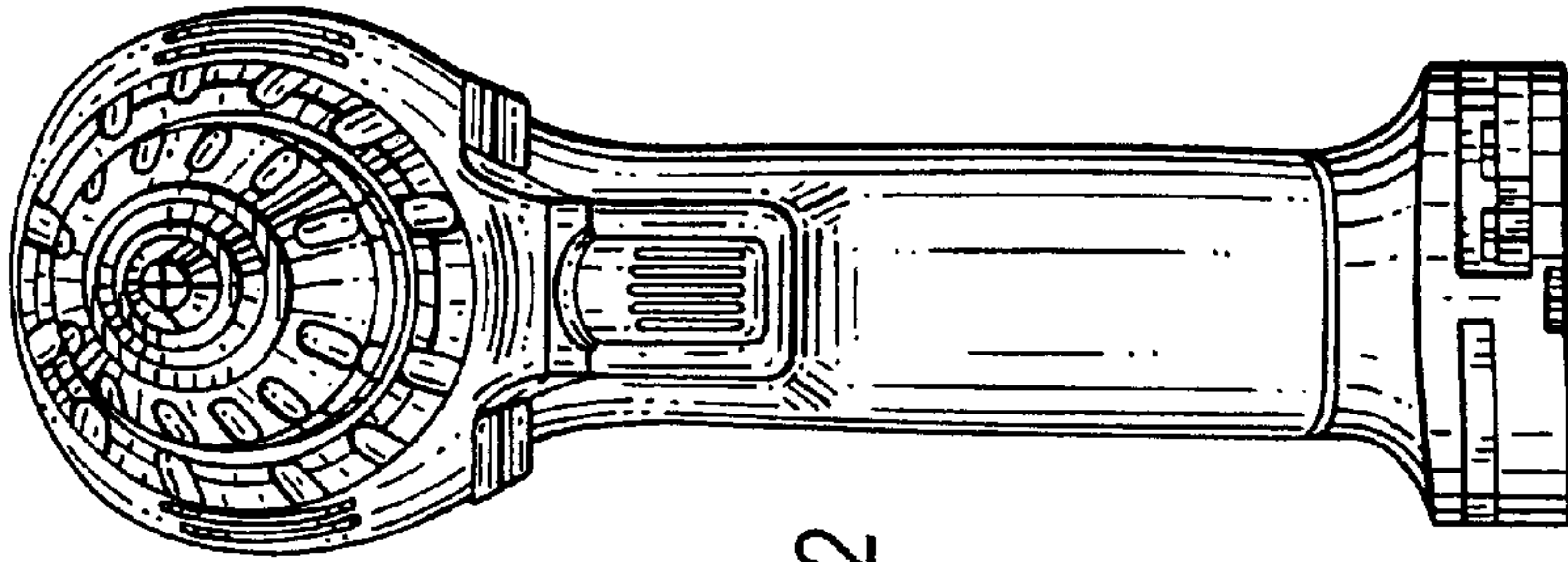


FIG. 2

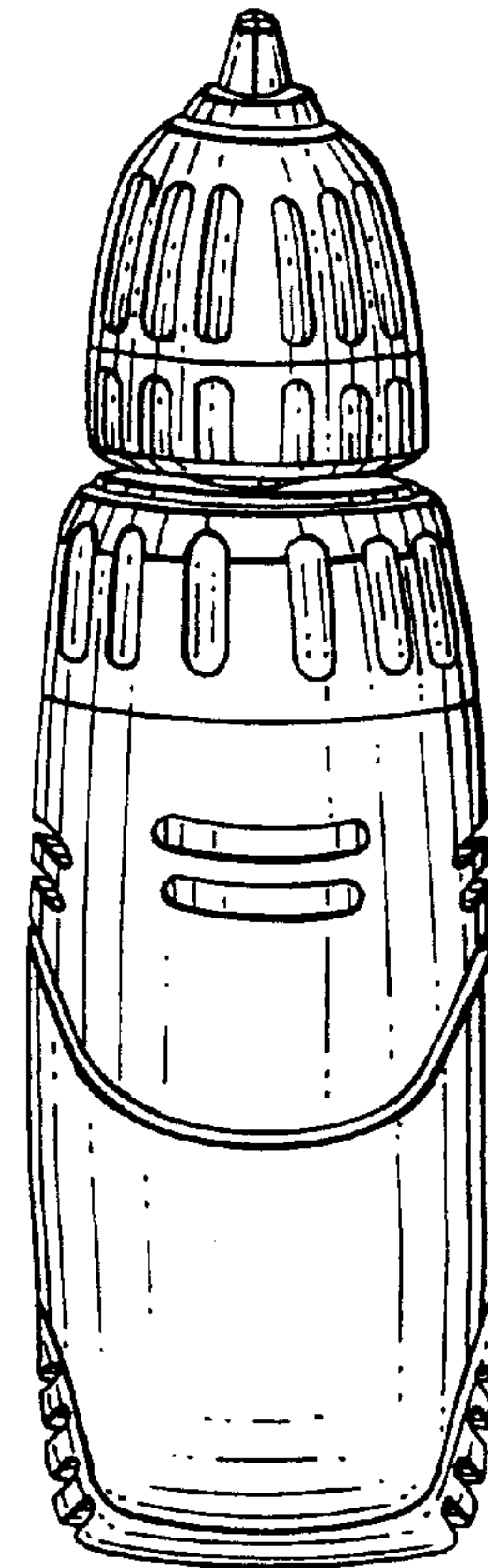


FIG. 3

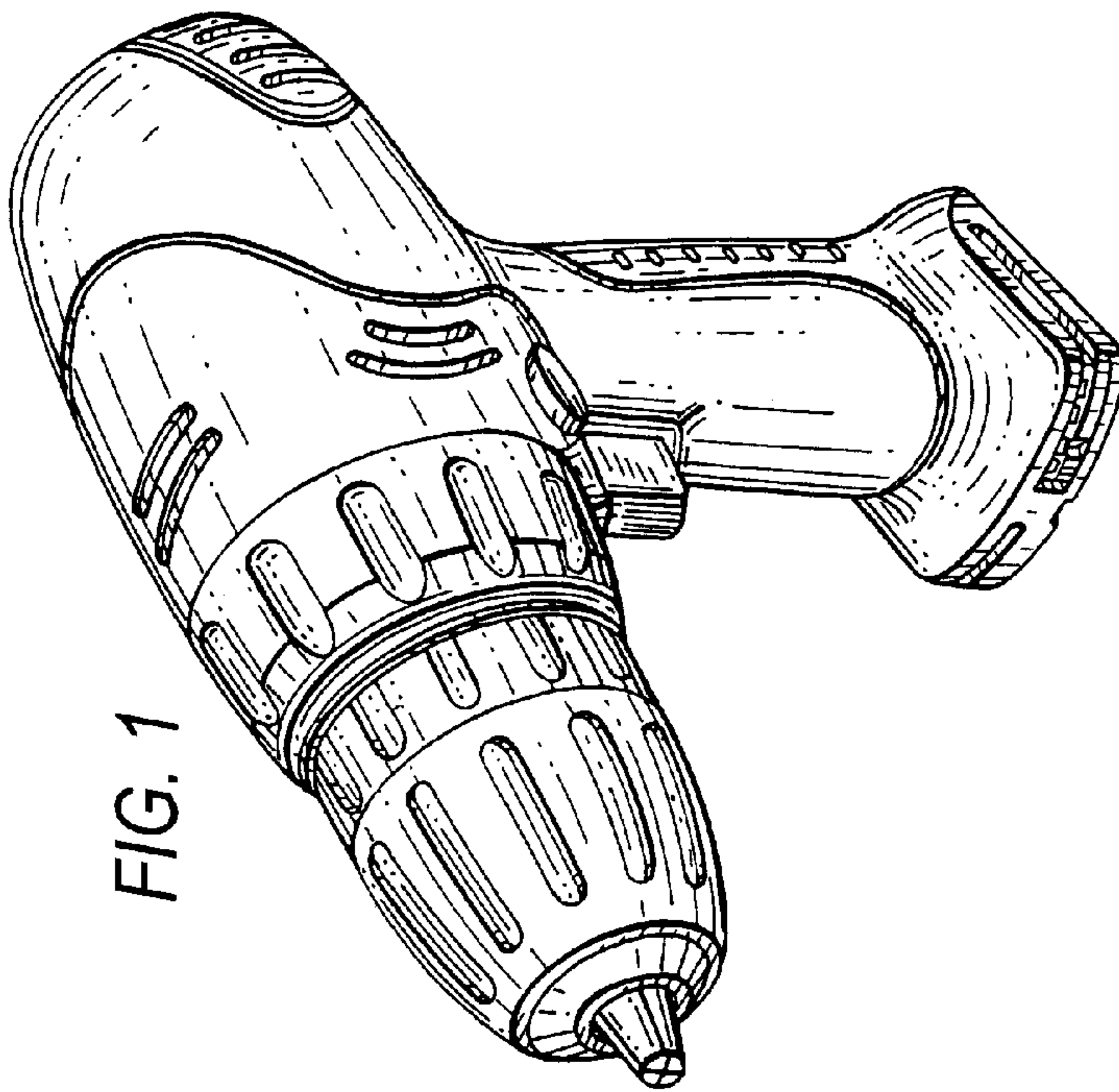


FIG. 1

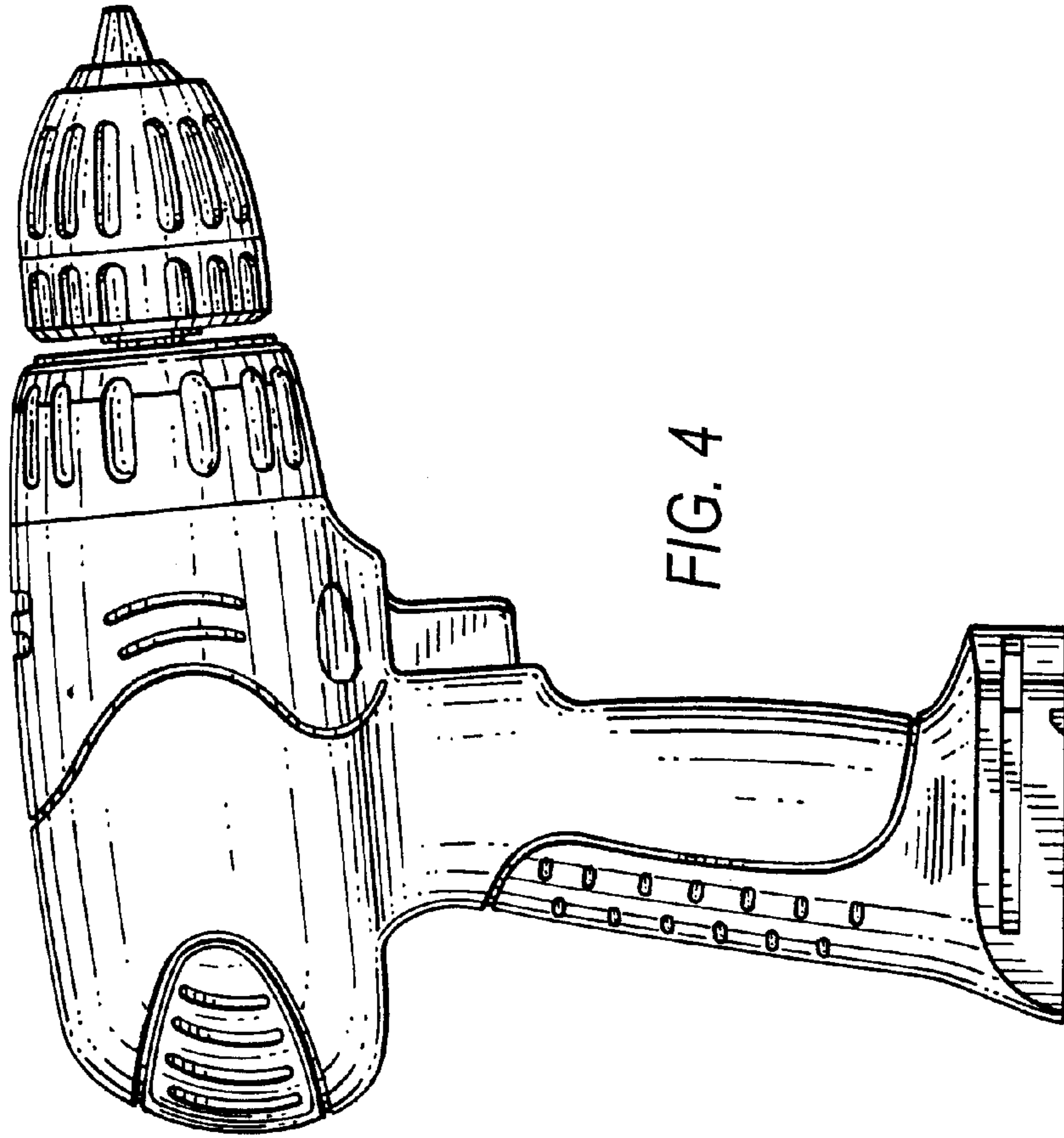


FIG. 4

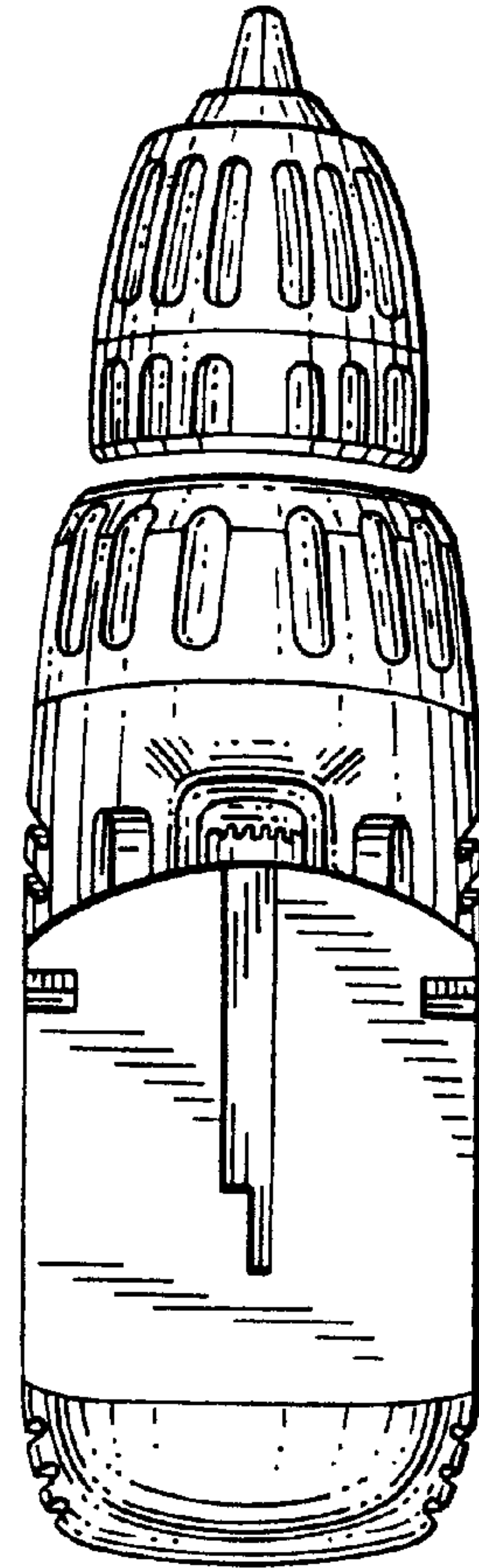


FIG. 6

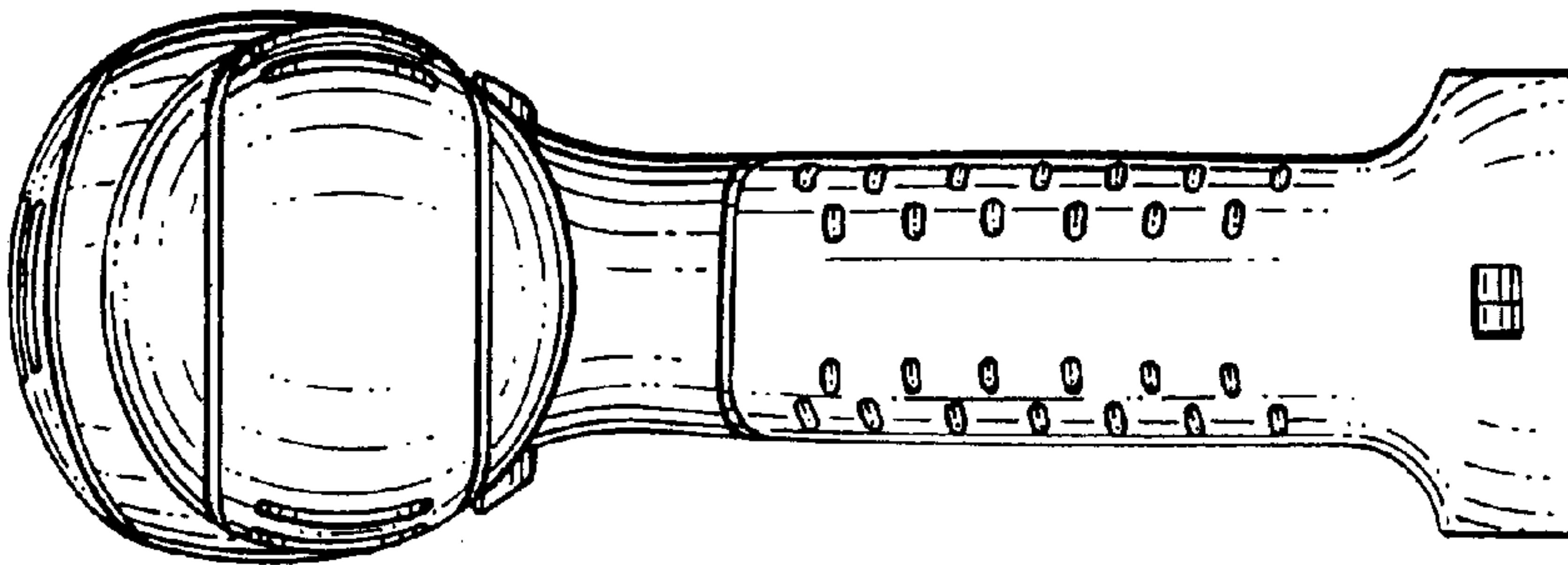


FIG. 5

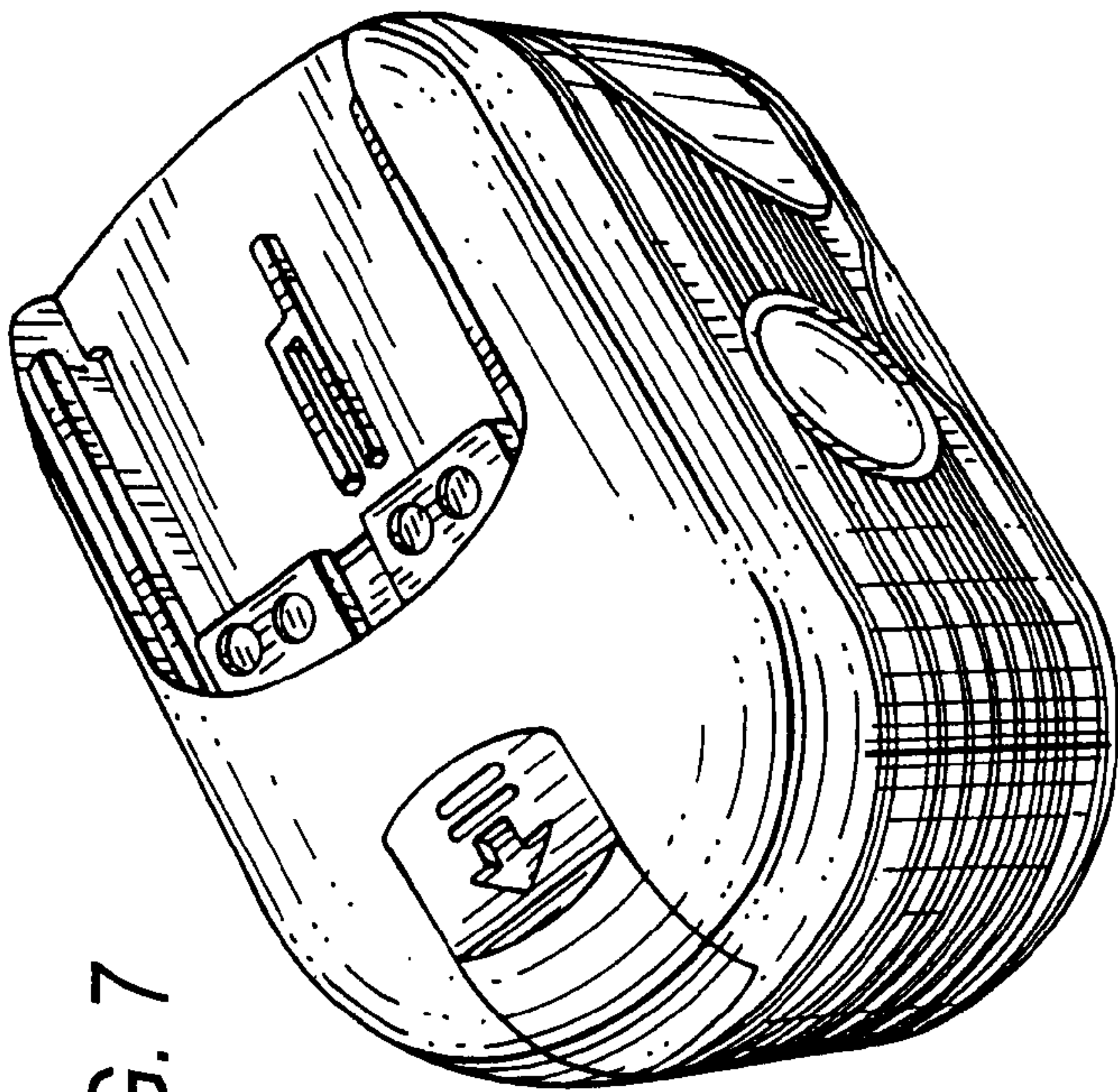


FIG. 7

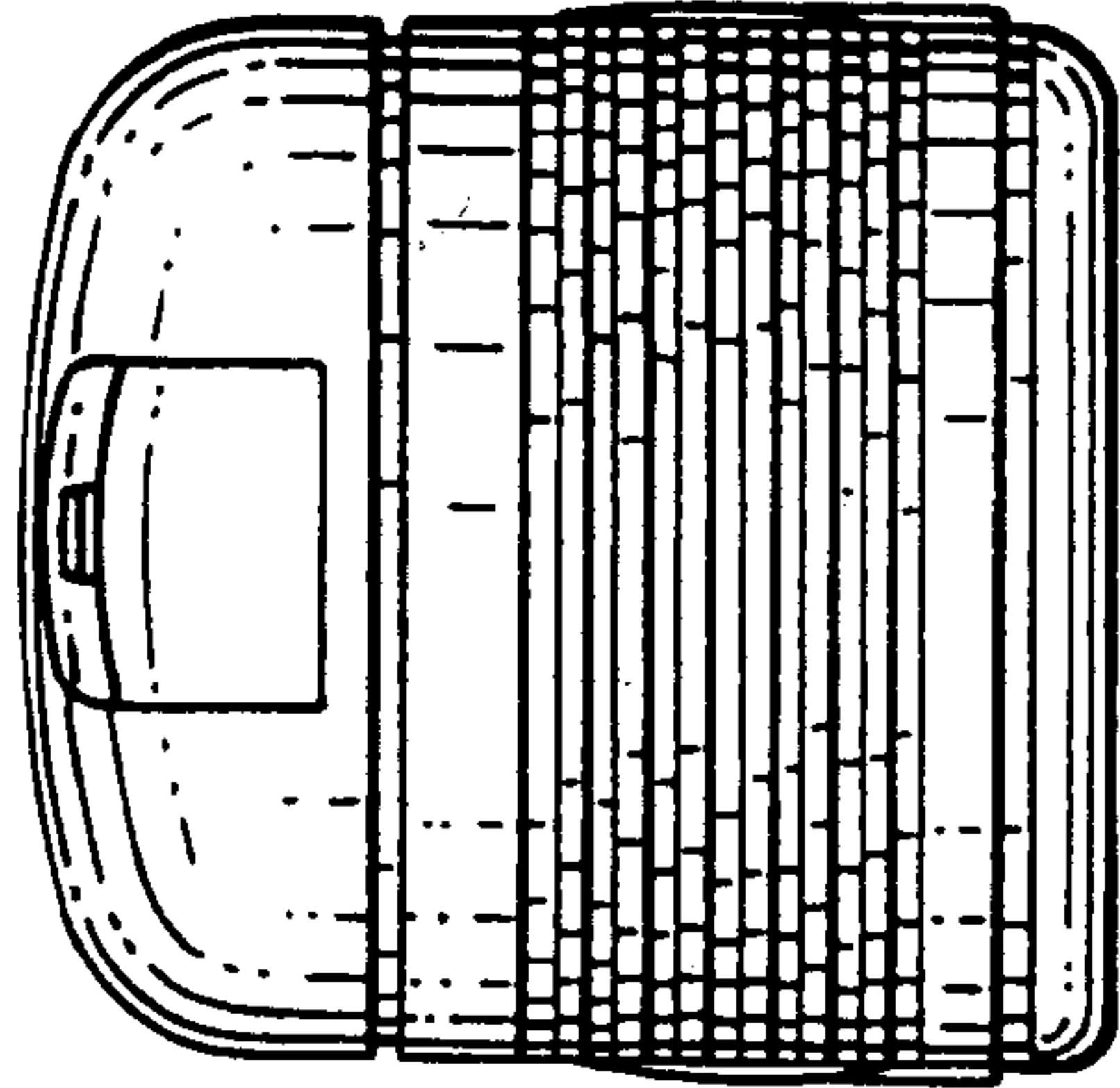


FIG. 8

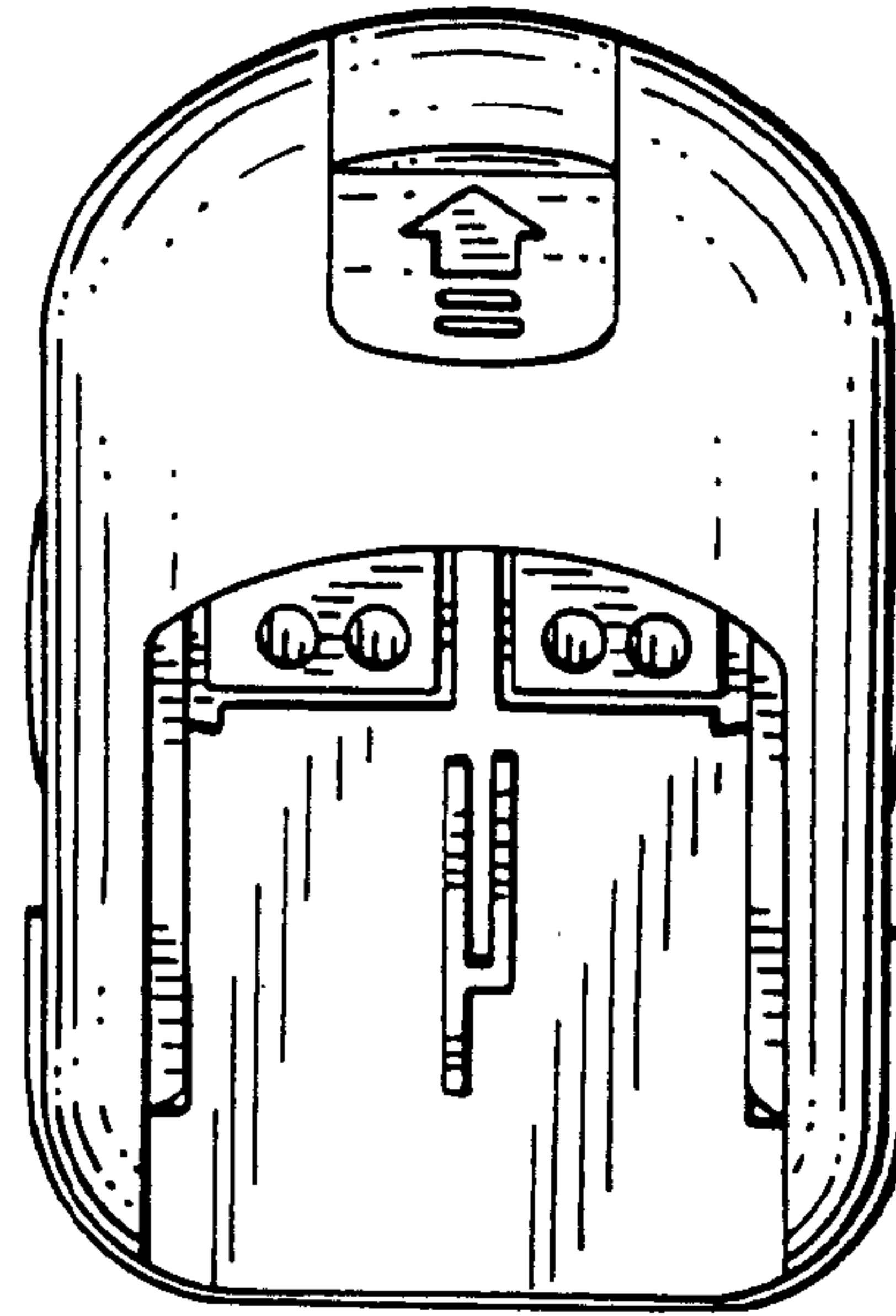


FIG. 9

FIG. 10

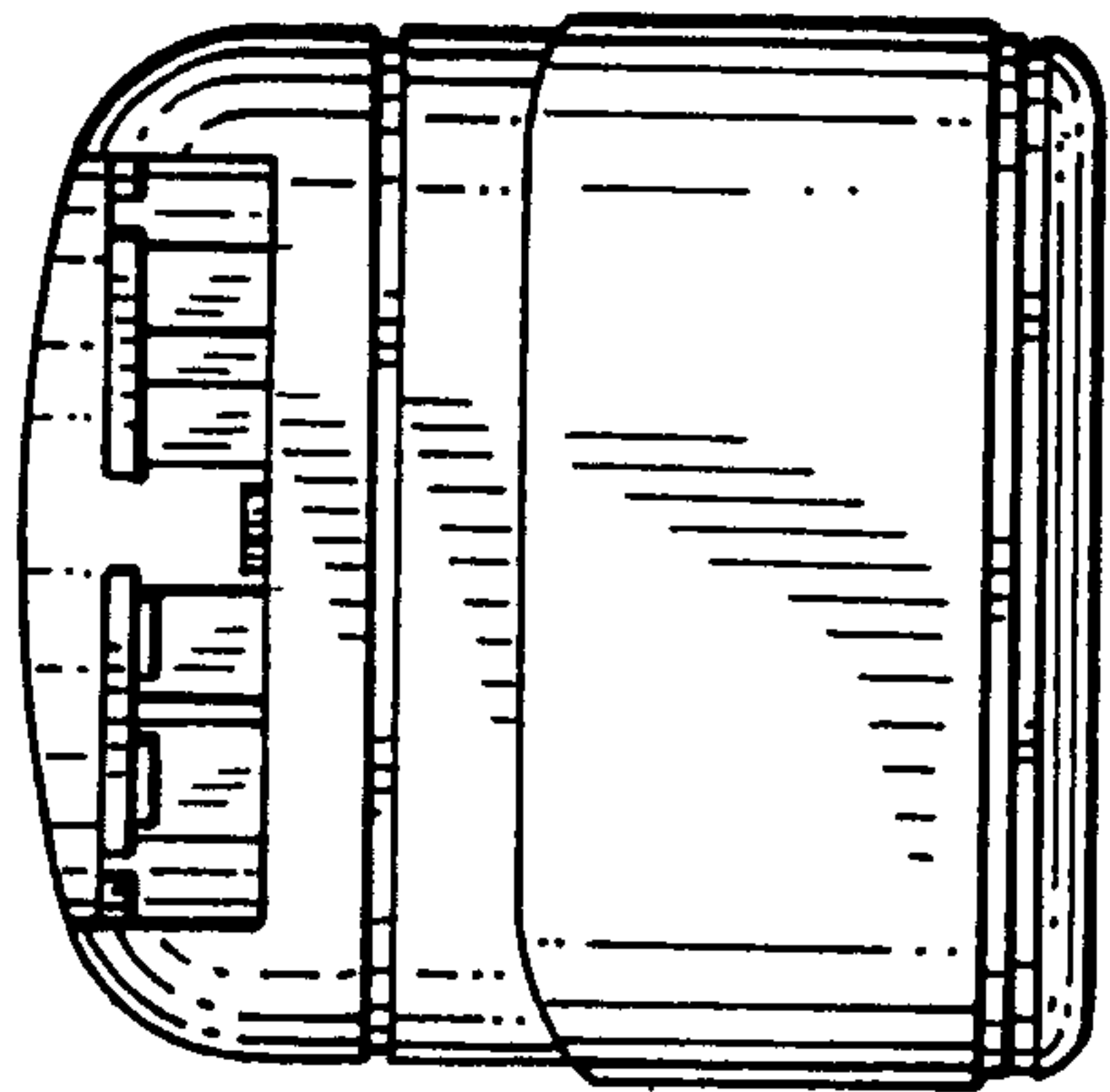
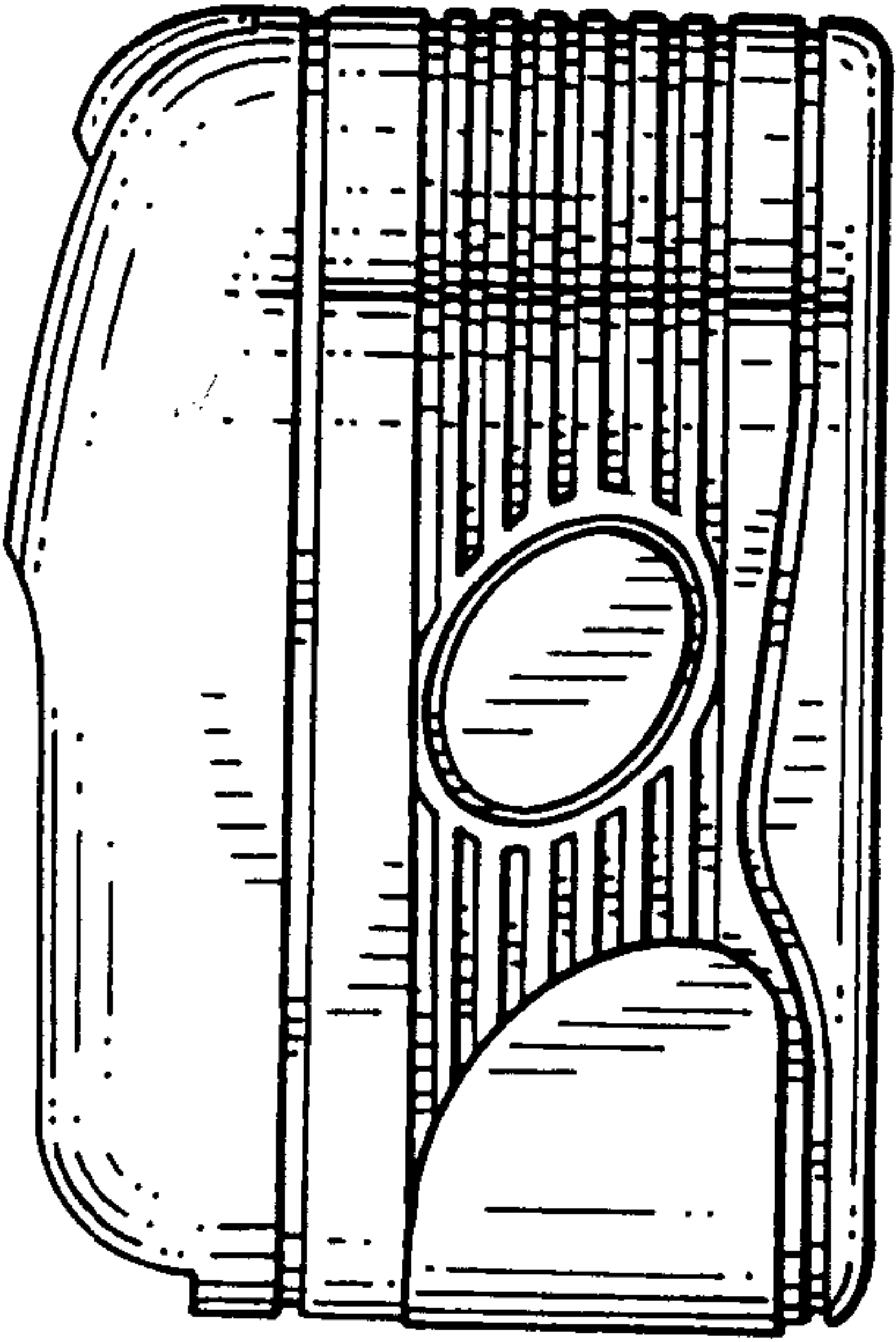


FIG. 11

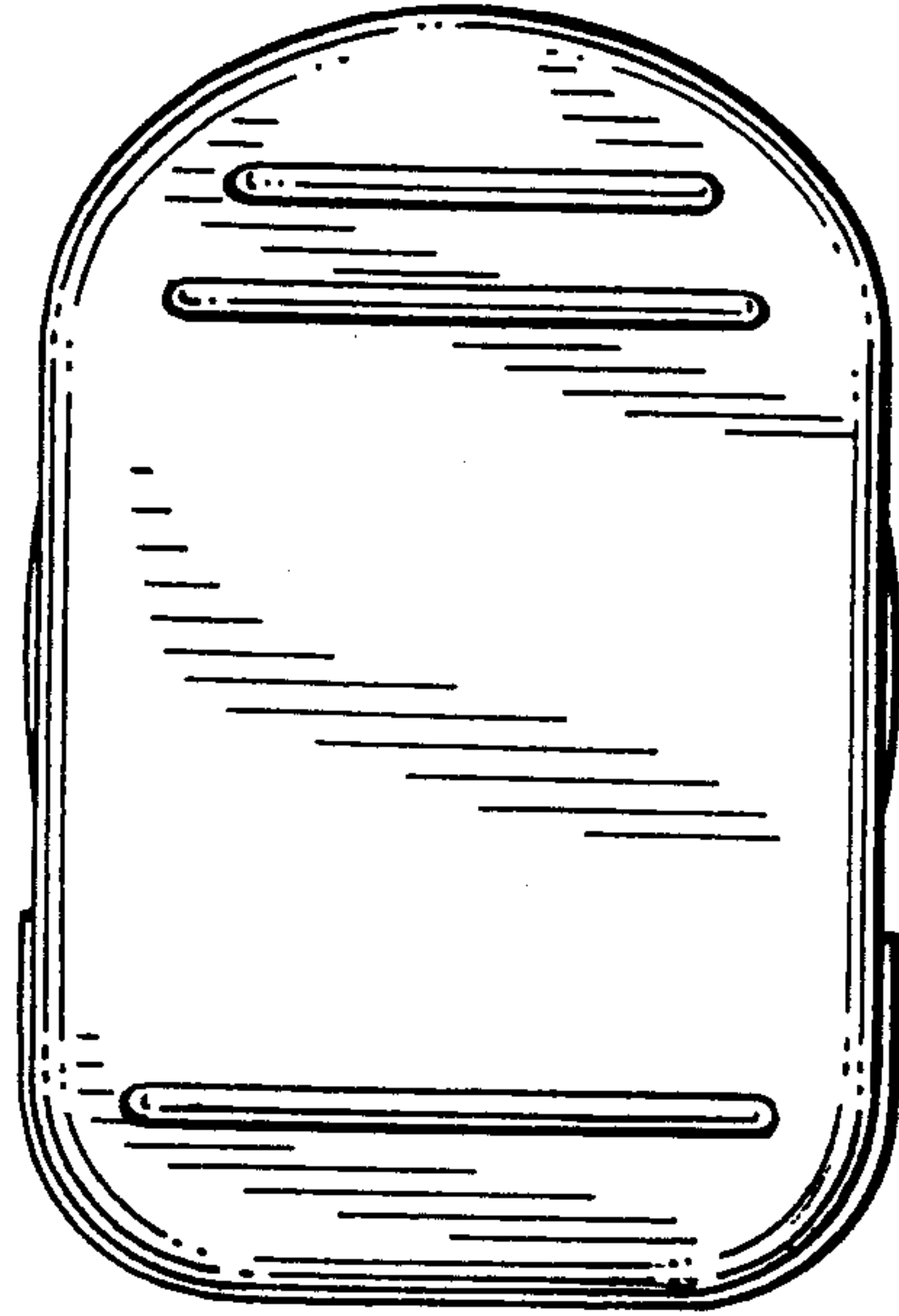


FIG. 12

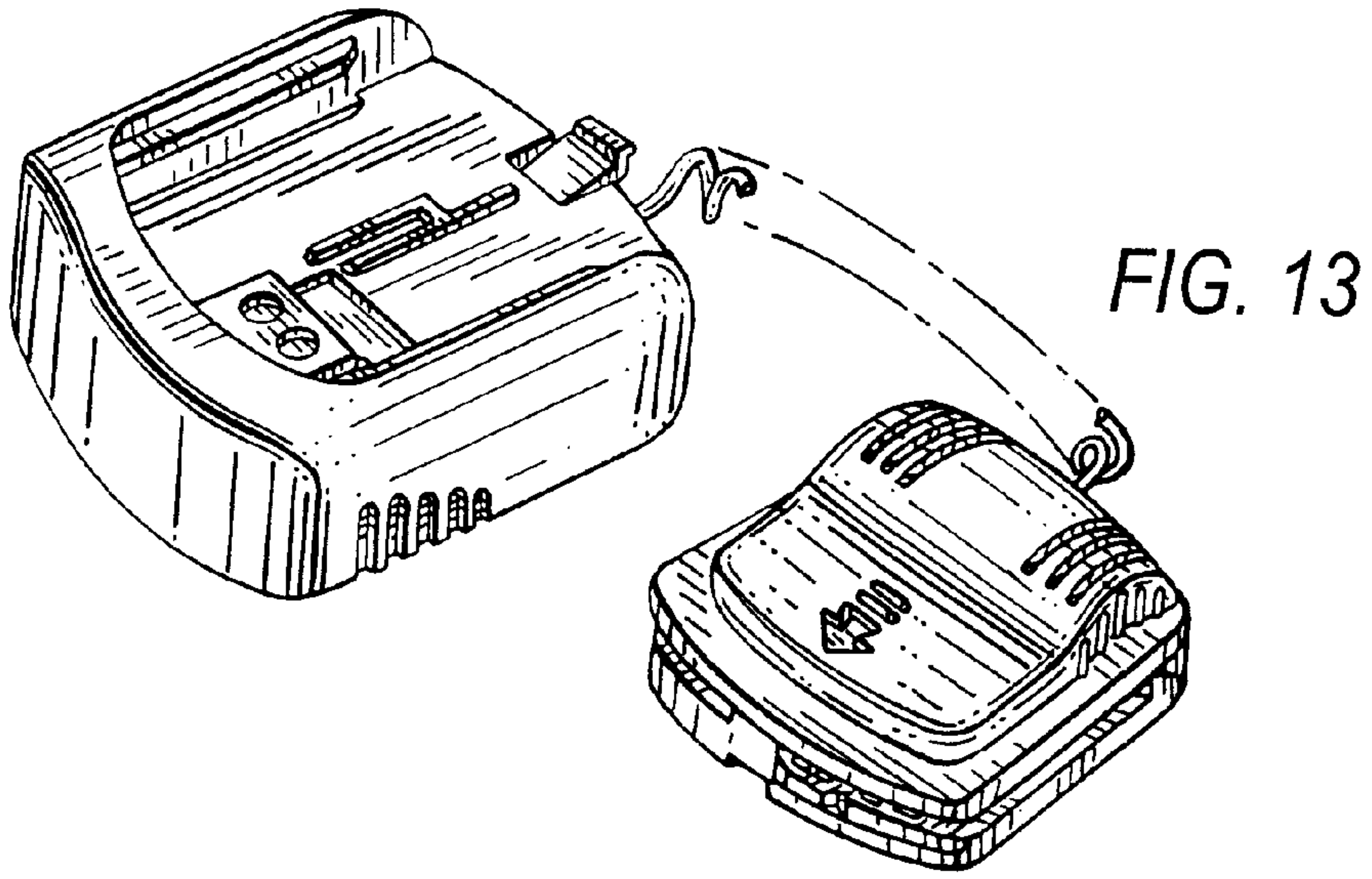


FIG. 14

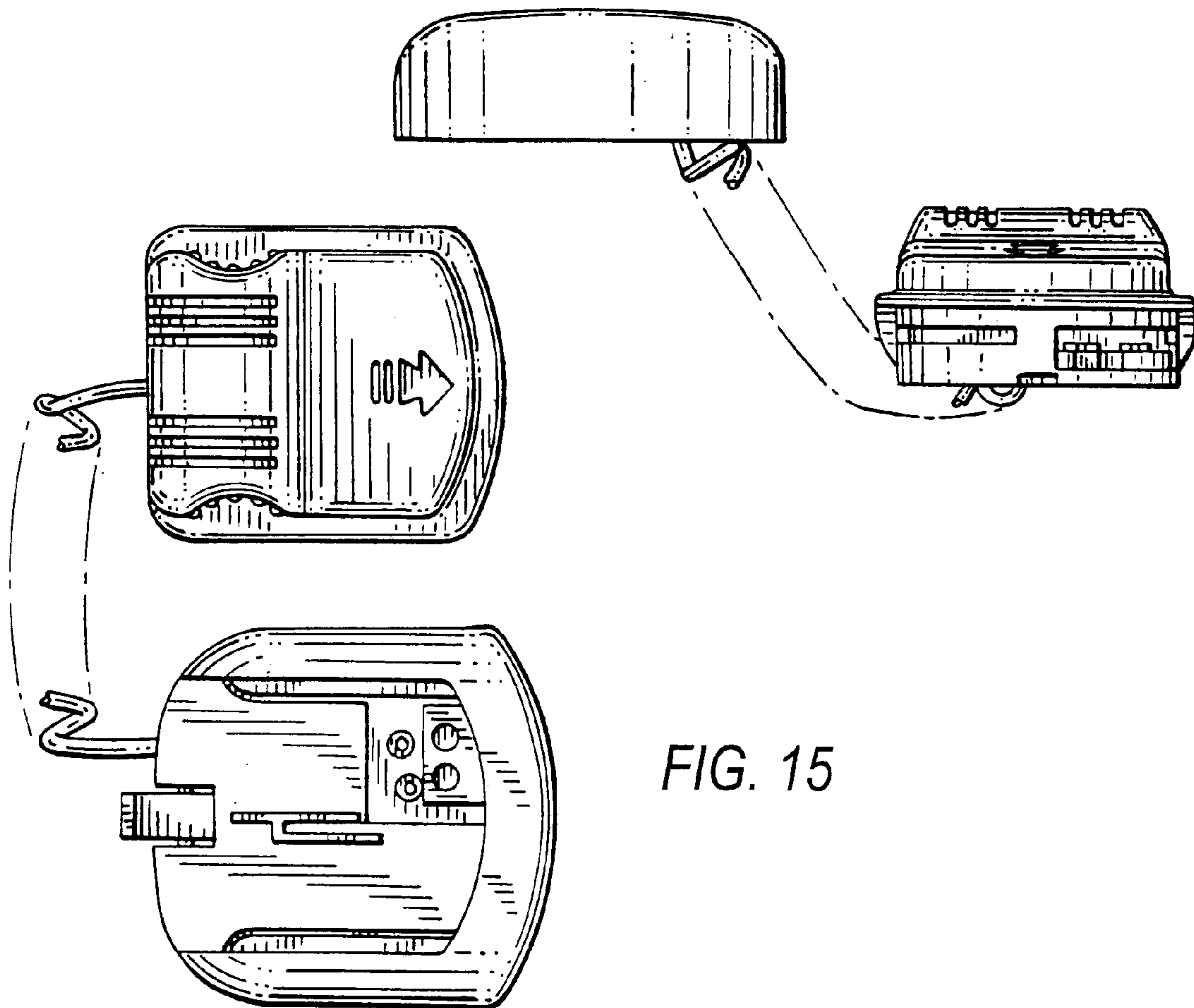


FIG. 16

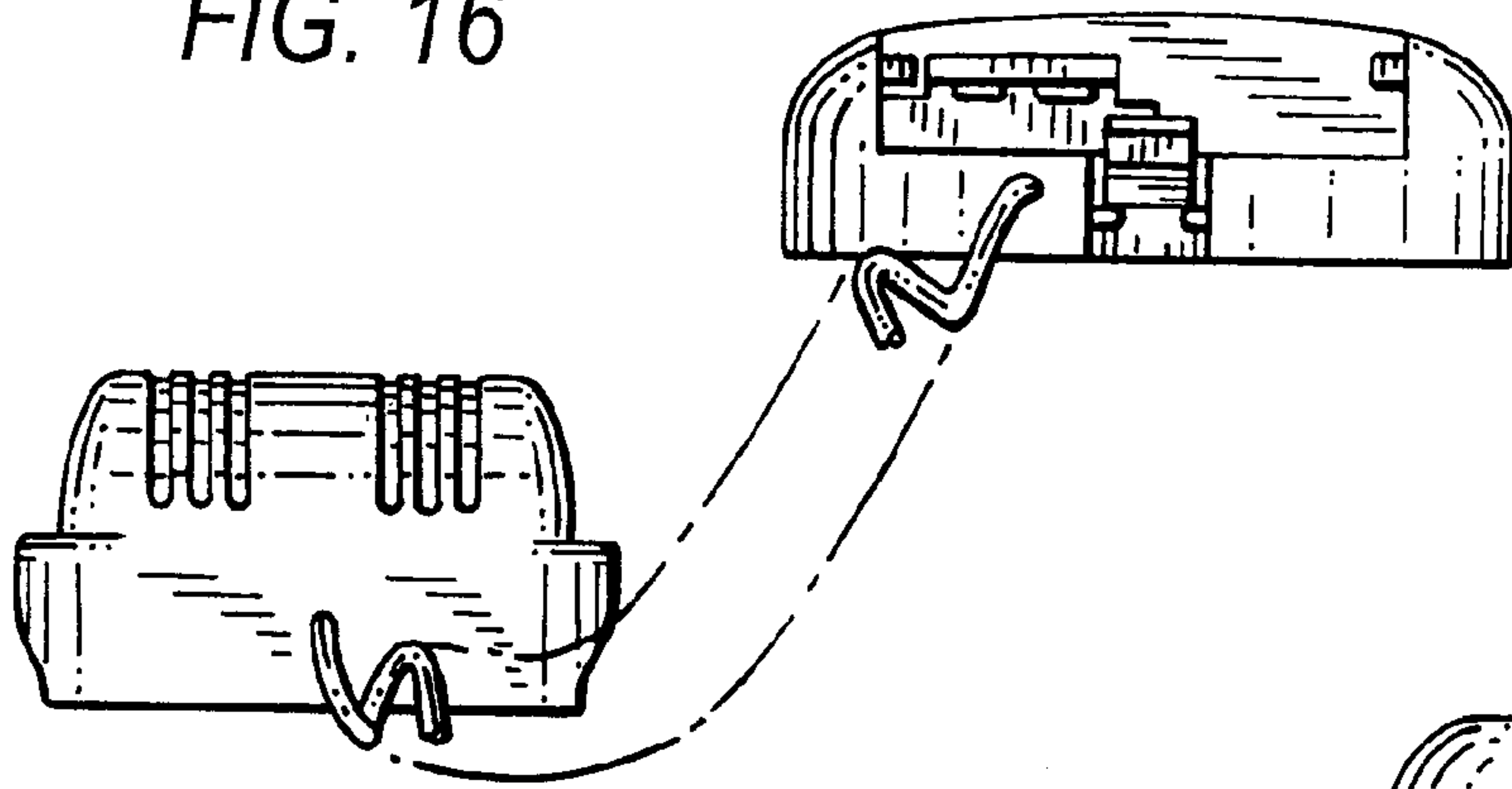


FIG. 17

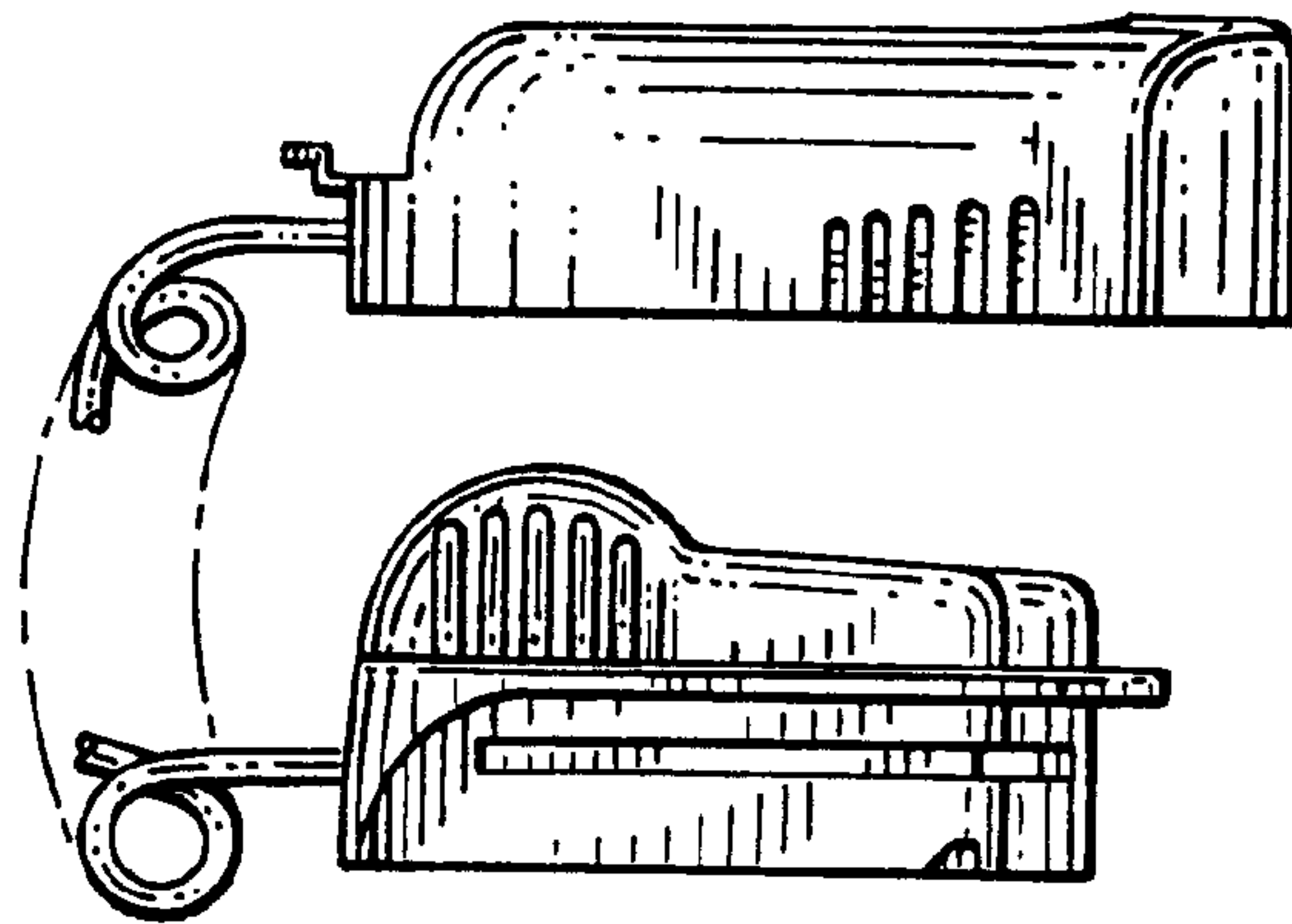
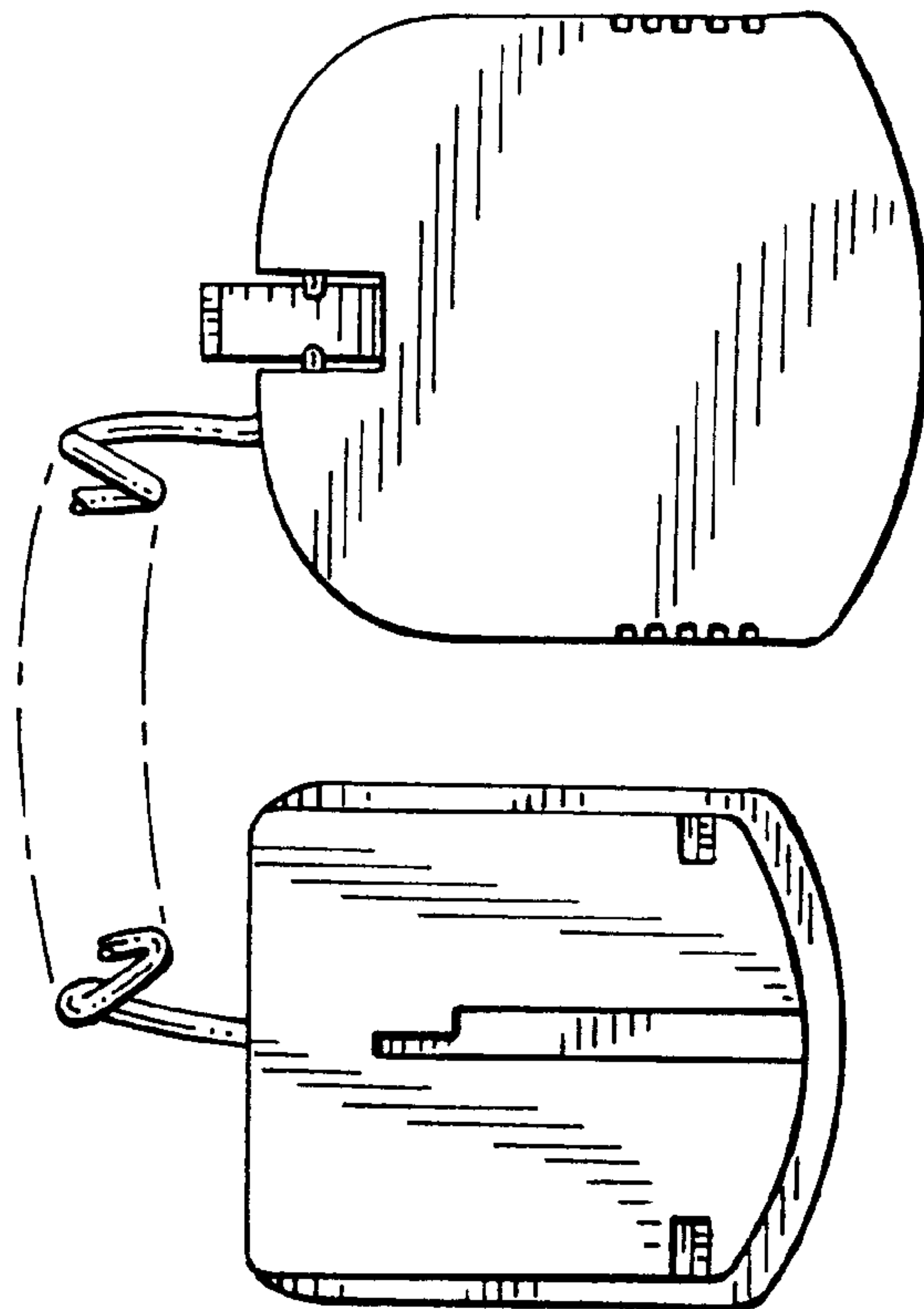


FIG. 18



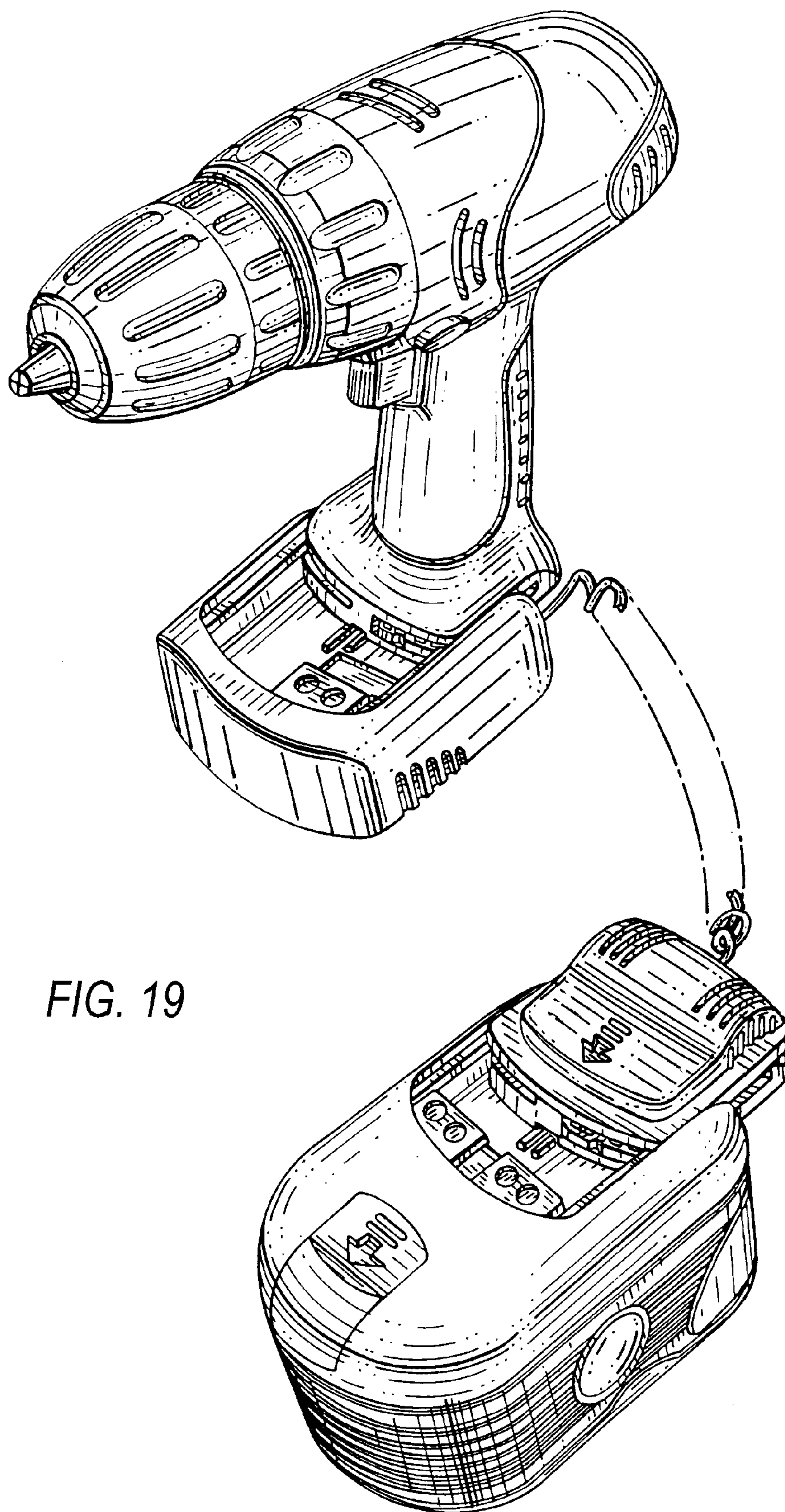


FIG. 20

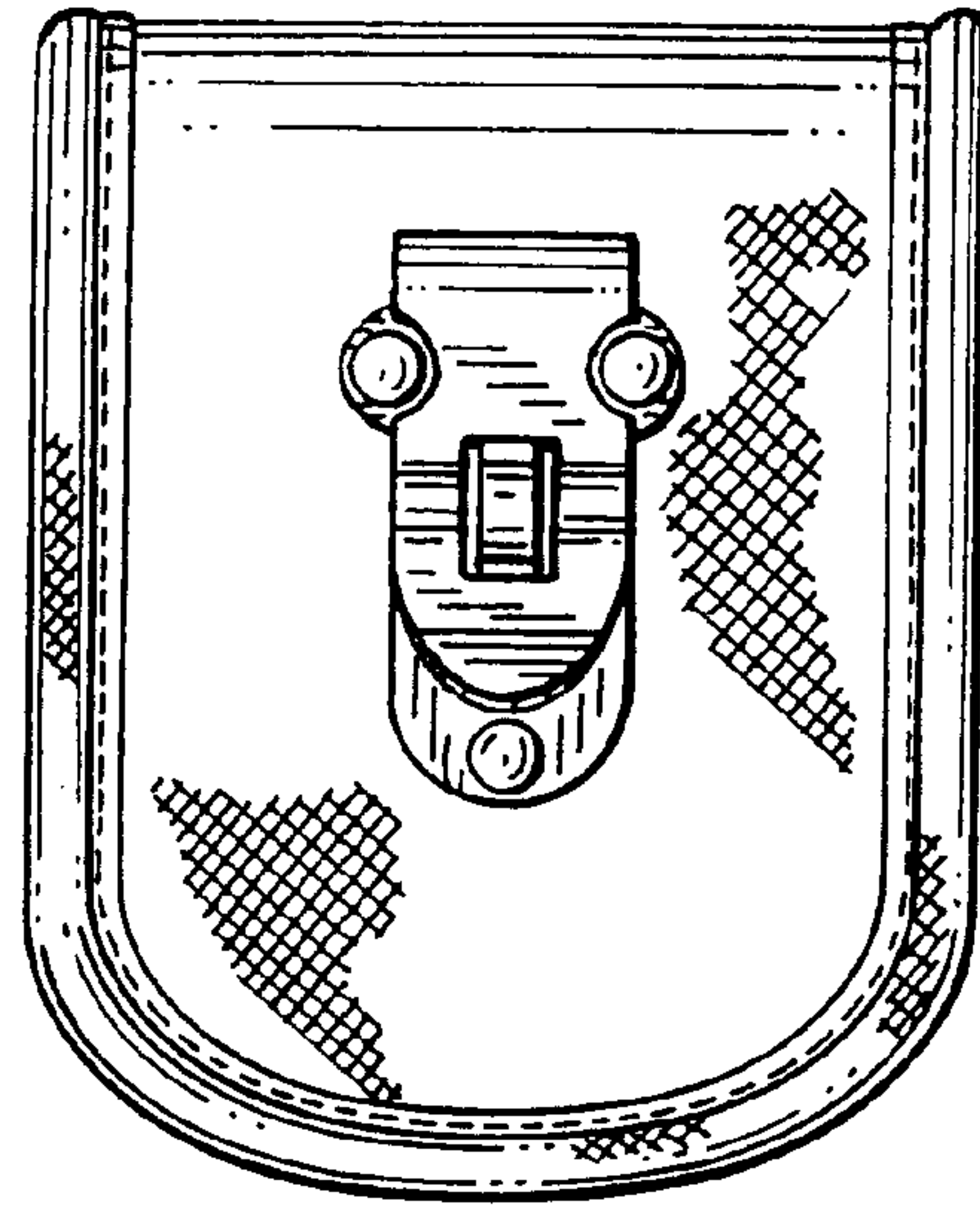
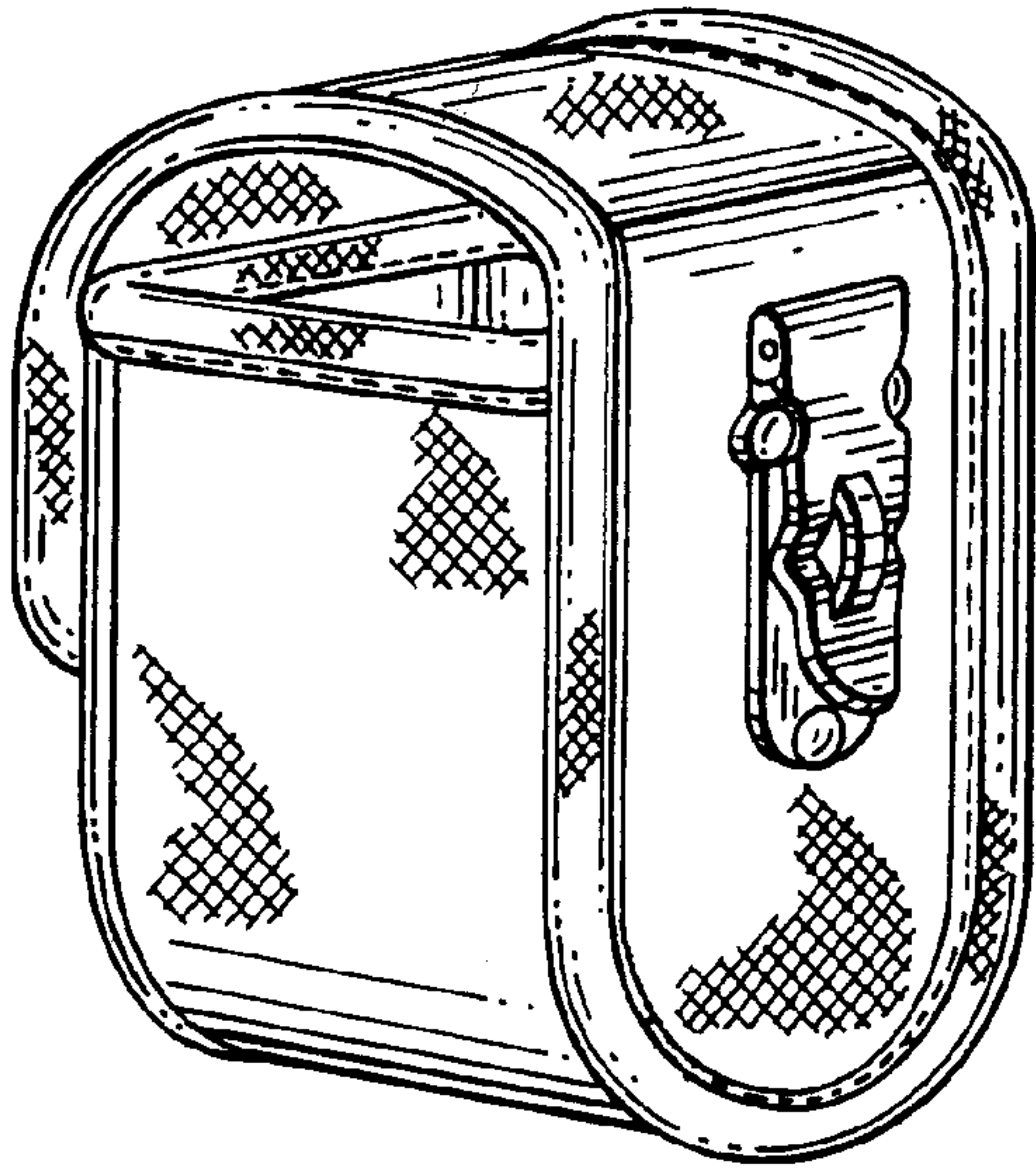


FIG. 21

FIG. 22

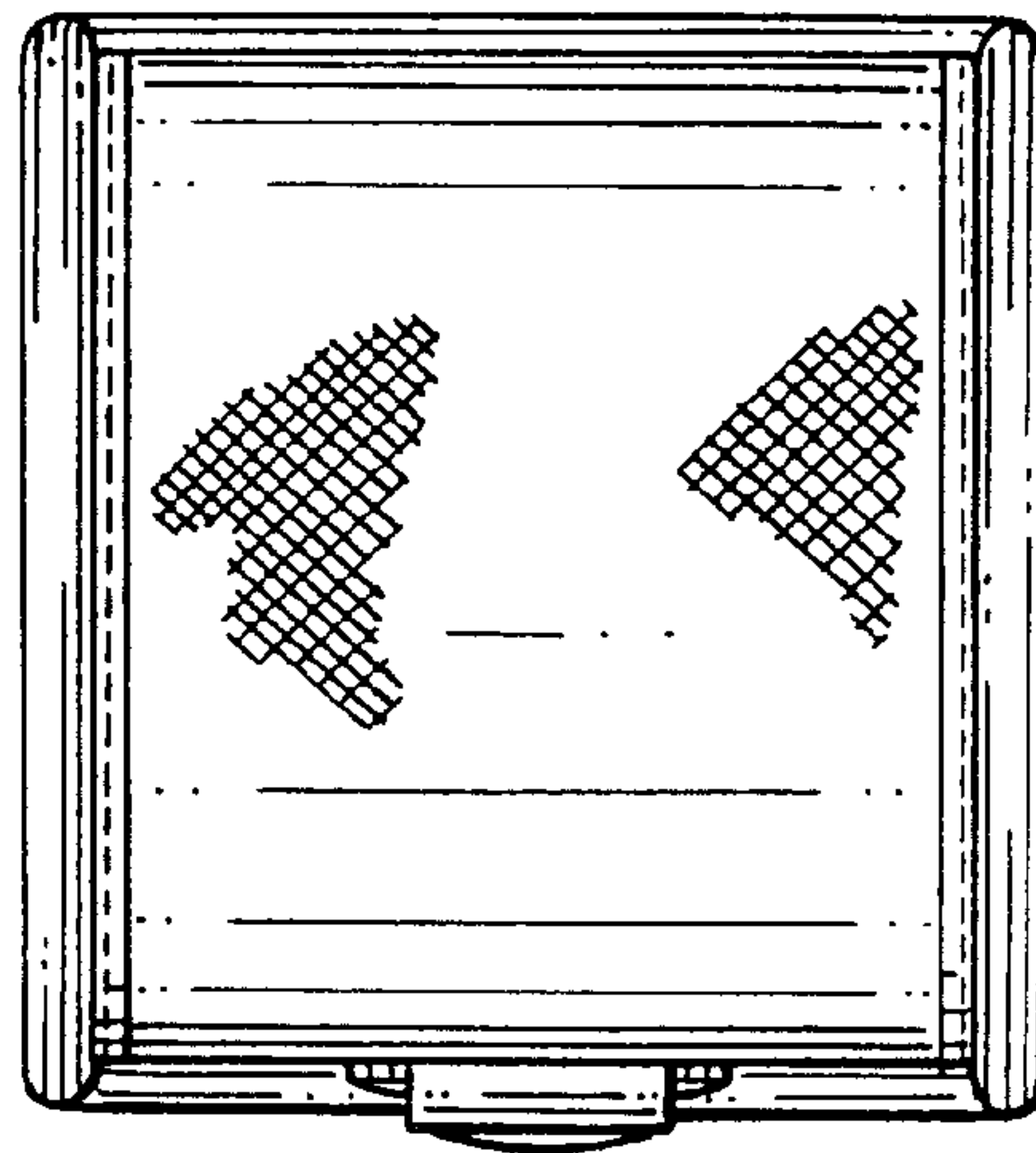


FIG. 23

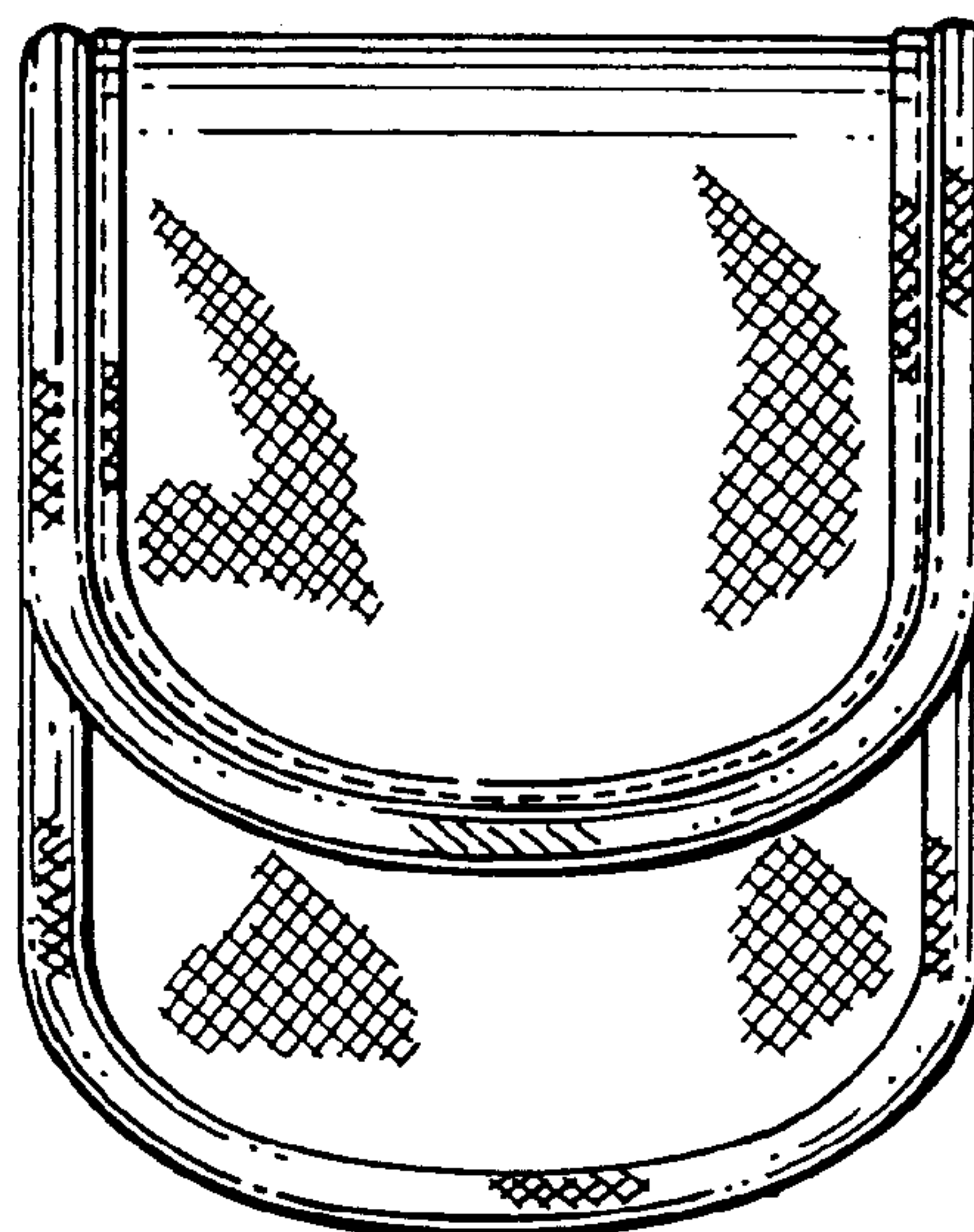
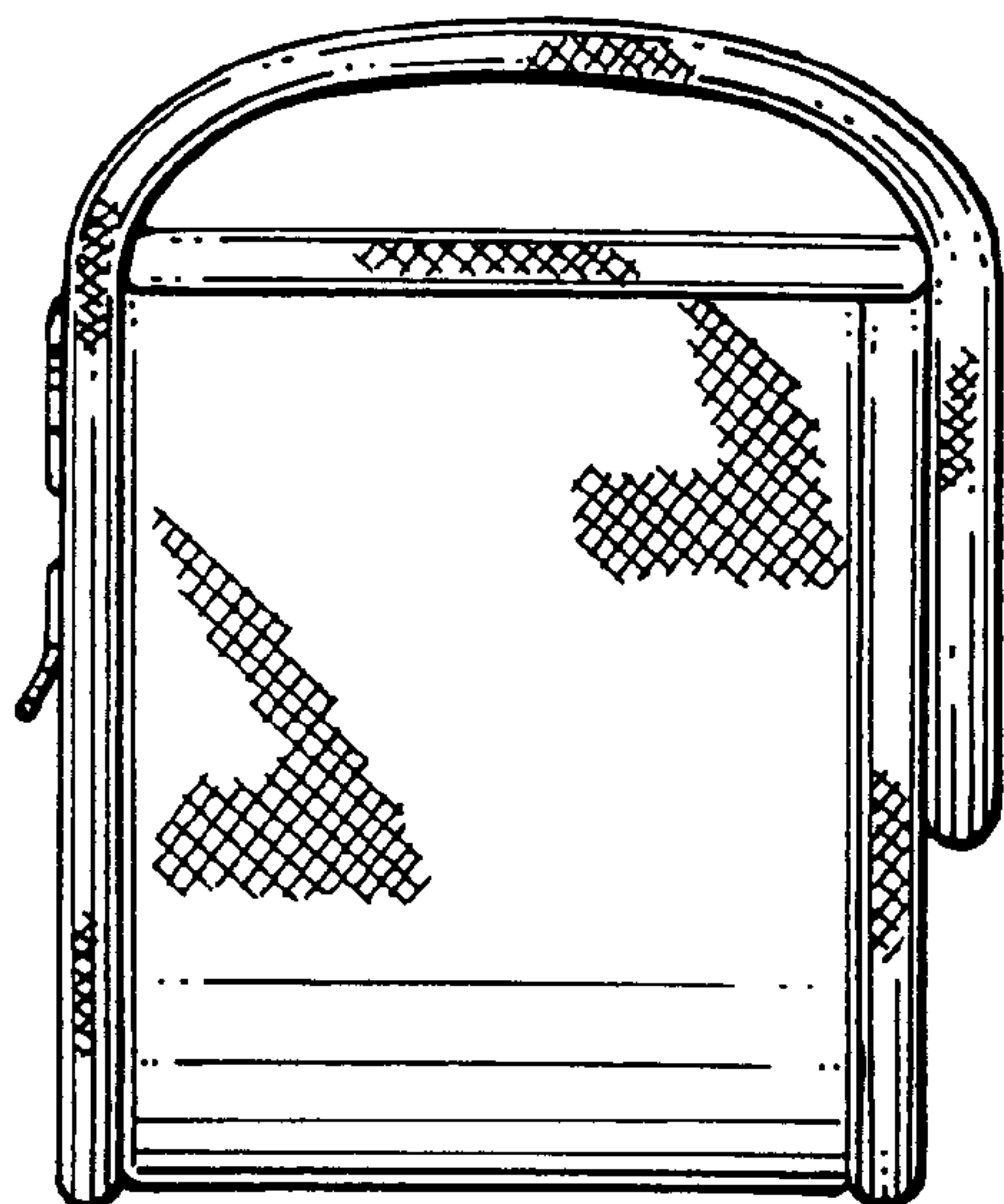


FIG. 24

FIG. 25

