

US00D549056S

(12) **United States Design Patent**  
**Gonzalez et al.**

(10) **Patent No.:** **US D549,056 S**

(45) **Date of Patent:** **\*\* Aug. 21, 2007**

(54) **COMBINED SALT AND PEPPER SHAKER**

D437,742 S \* 2/2001 Young et al. .... D7/679  
D445,006 S \* 7/2001 Young et al. .... D7/679  
D451,806 S \* 12/2001 Stalder ..... D9/503

(75) Inventors: **Mario Mata Gonzalez**, Kenosha, WI  
(US); **Damon Aaron Ahola**, Chicago,  
IL (US)

\* cited by examiner

(73) Assignee: **Weber-Stephen Products Co.**, Palatine,  
IL (US)

*Primary Examiner*—Terry A. Wallace  
(74) *Attorney, Agent, or Firm*—David I. Roche; Daniel A.  
Tallitsch; Baker & McKenzie LLP

(\*\*) Term: **14 Years**

(57) **CLAIM**

(21) Appl. No.: **29/269,096**

The ornamental design for a combined salt and pepper  
shaker, as shown and described.

(22) Filed: **Nov. 20, 2006**

(51) **LOC (8) Cl.** ..... **07-04**

(52) **U.S. Cl.** ..... **D7/679**

(58) **Field of Classification Search** ..... D7/679,  
D7/590–599, 401.1; 222/142.1–142.9, 452,  
222/480–482; 241/168, 169.1, 285.3, 93;  
D9/503, 500, 516, 549

See application file for complete search history.

**DESCRIPTION**

FIG. 1 is a perspective view showing our new design;  
FIG. 2 is a left side view thereof, the opposite side being a  
mirror image thereof;  
FIG. 3 is a front elevational view thereof;  
FIG. 4 is a top view thereof;  
FIG. 5 is a rear elevational view thereof; and,  
FIG. 6 is a bottom view thereof.

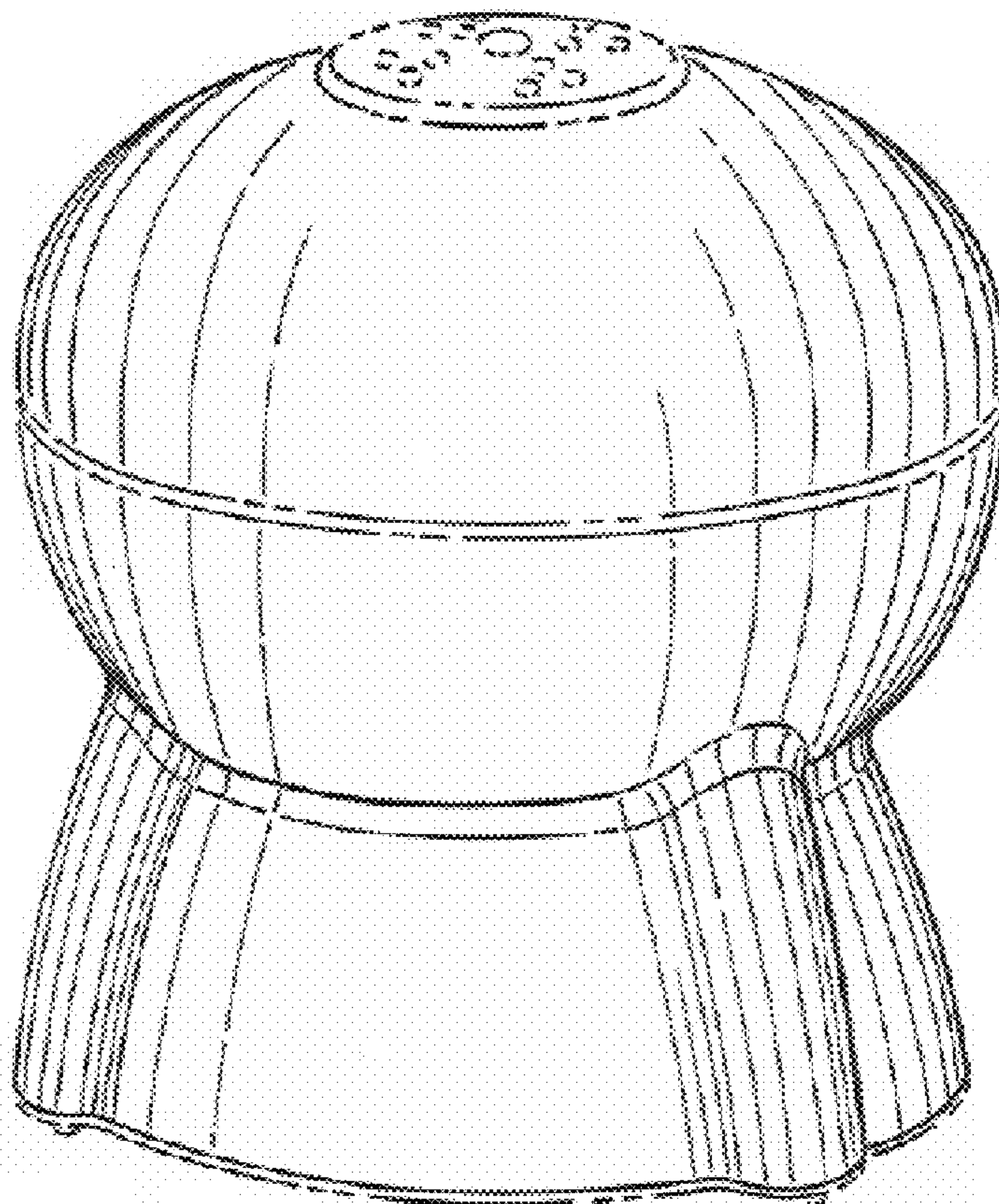
The details shown in broken lines form no part of the  
claimed design.

(56) **References Cited**

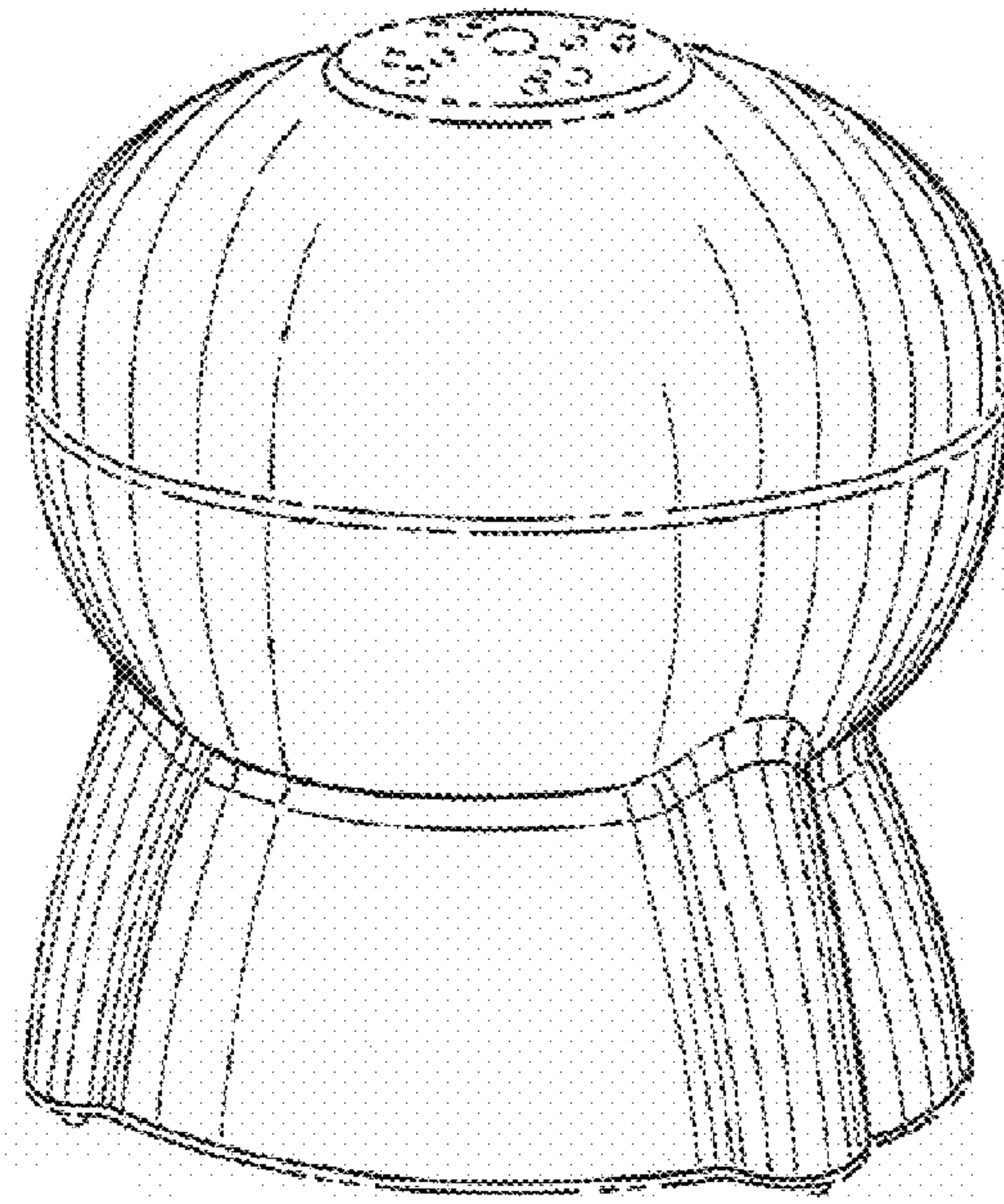
U.S. PATENT DOCUMENTS

4,026,490 A \* 5/1977 Johansson ..... 241/169.1  
D315,851 S \* 4/1991 Wu ..... D7/679  
D419,038 S \* 1/2000 Weibel ..... D7/679

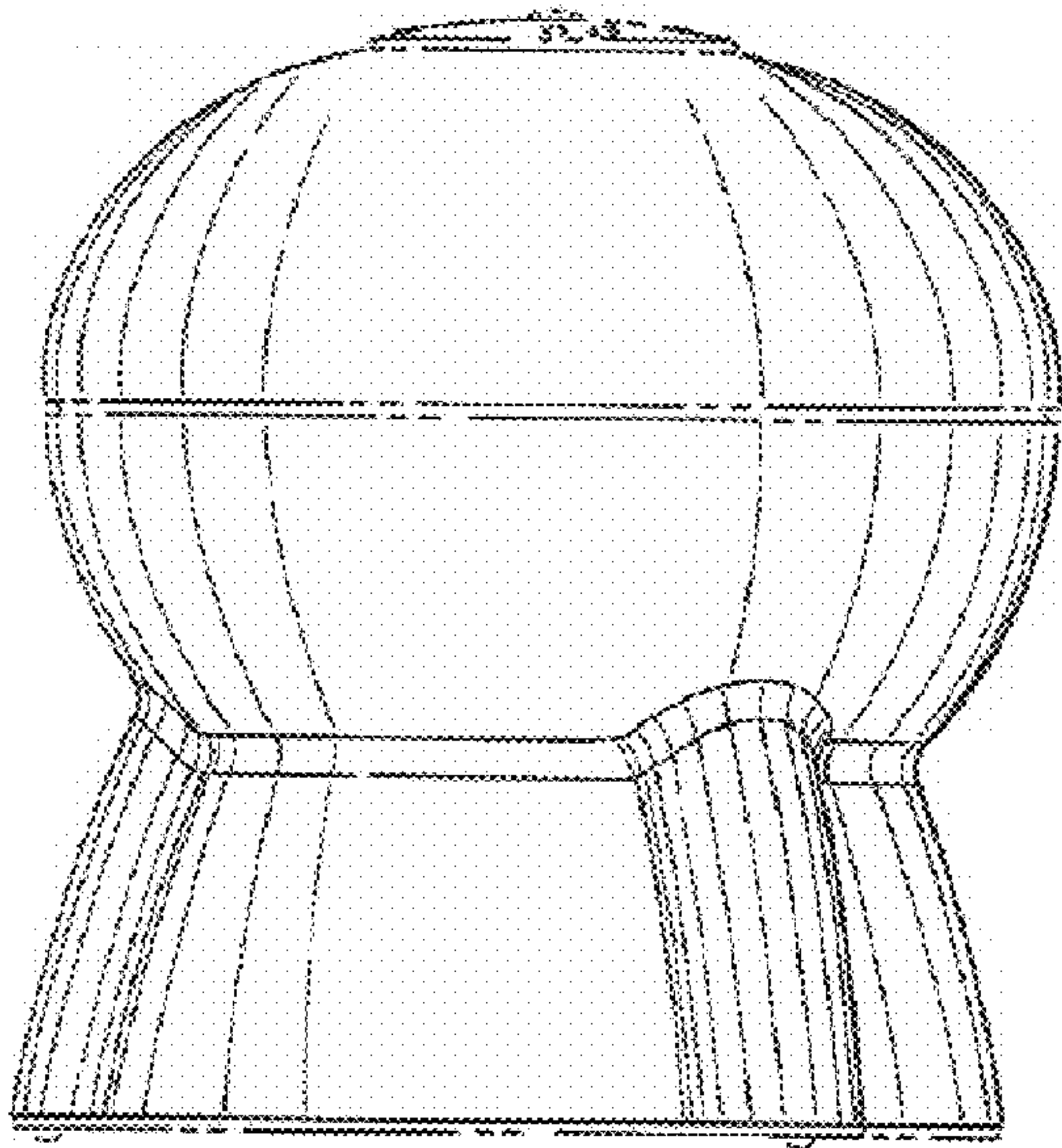
**1 Claim, 2 Drawing Sheets**



*FIG. 1*



*FIG. 2*



*FIG. 3*

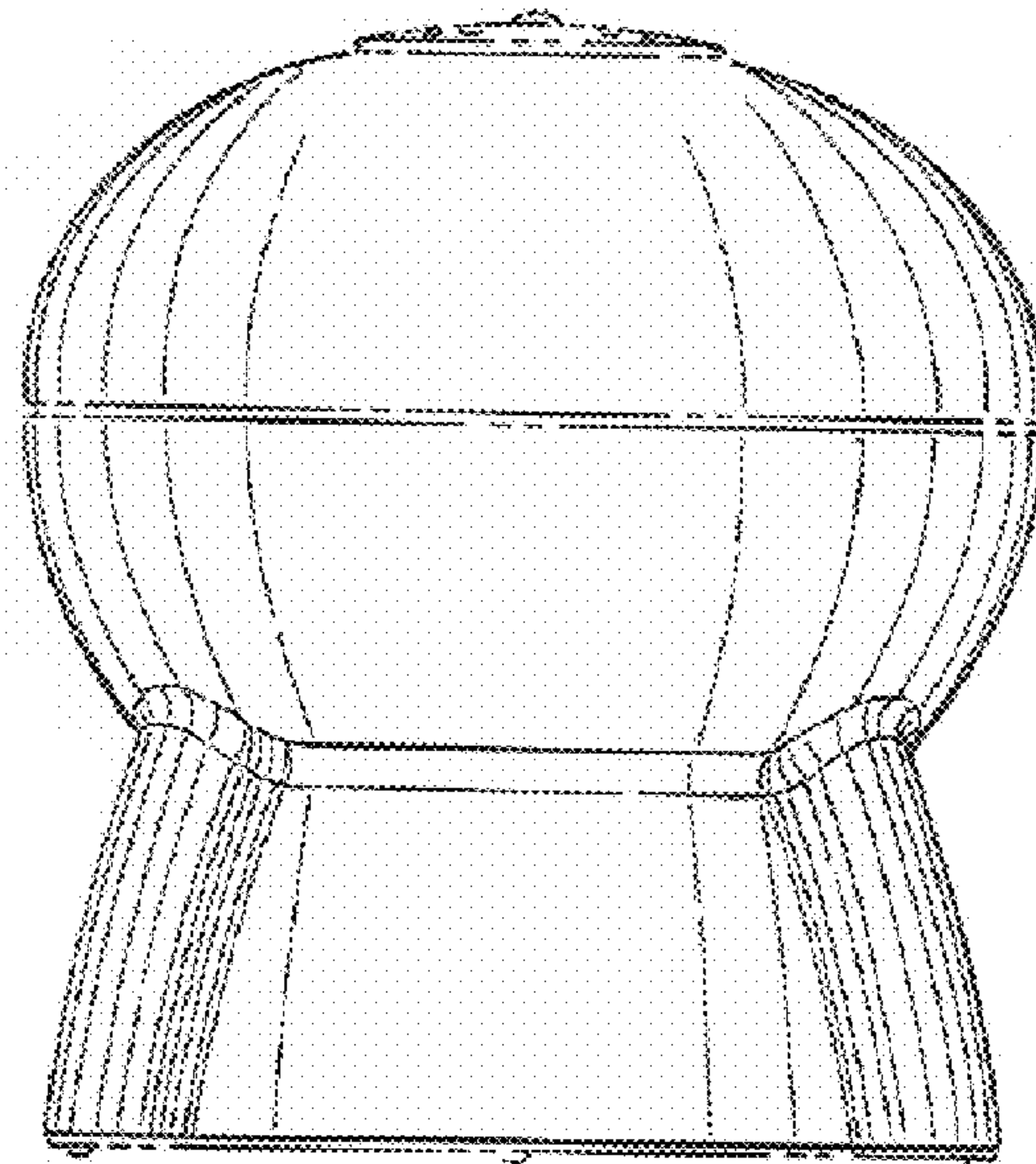




FIG. 4

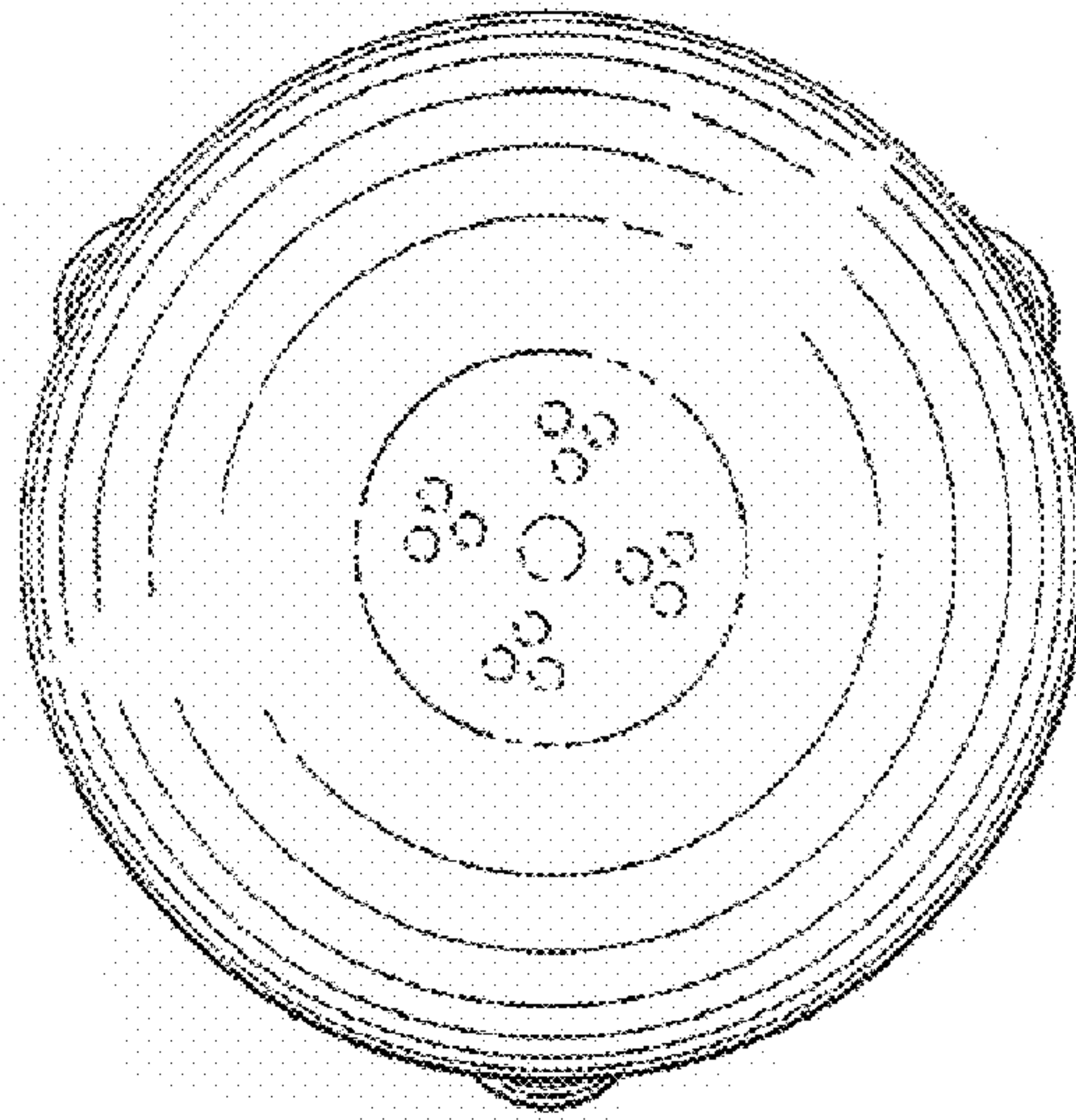


FIG. 5

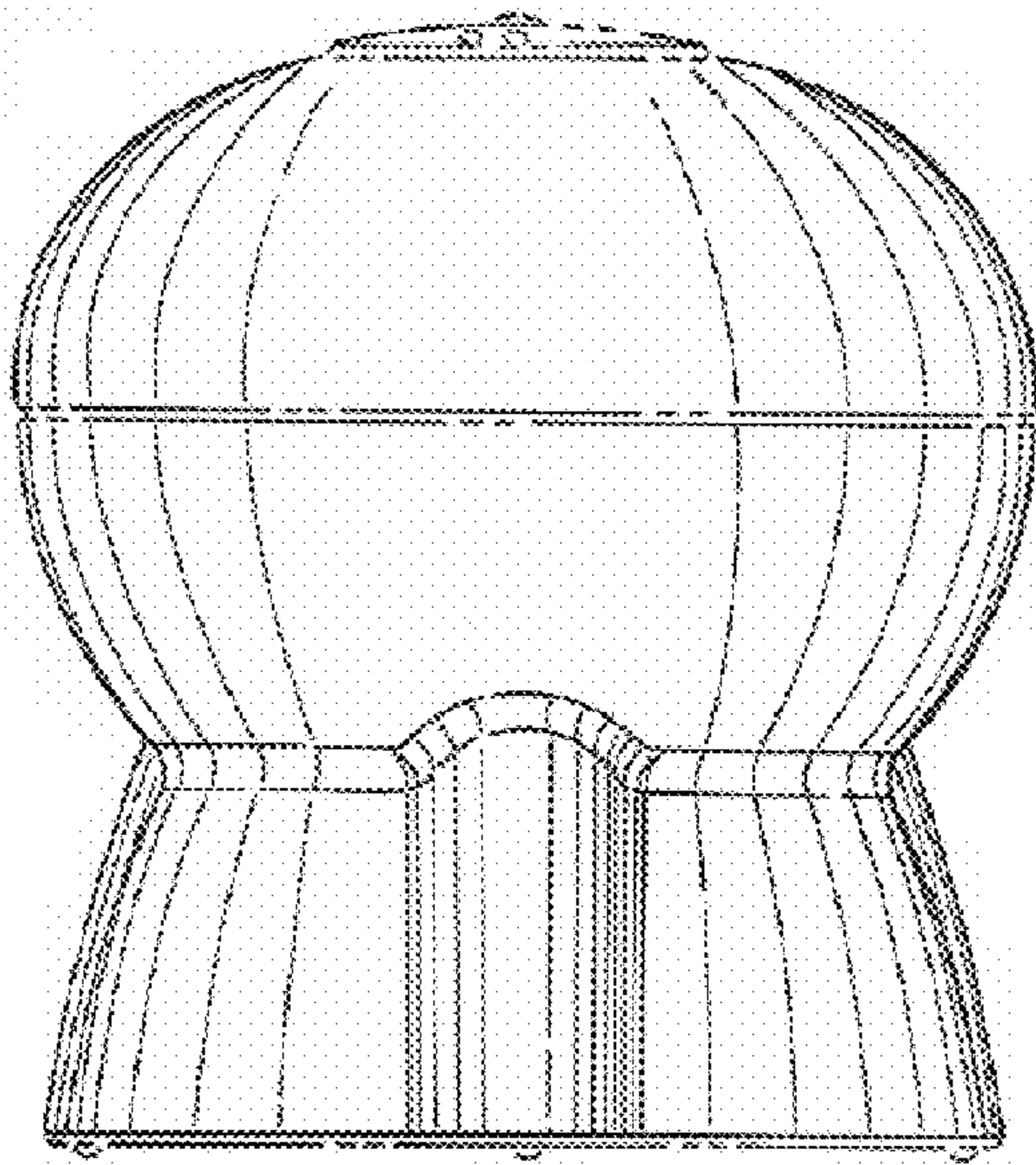


FIG. 6

