

US00D549043S

(12) **United States Design Patent** (10) **Patent No.:** **US D549,043 S**
Beesley et al. (45) **Date of Patent:** **** Aug. 21, 2007**

(54) **SLUSHIE MAKER** 3,088,345 A 5/1963 Campbell
3,104,089 A 9/1963 Seltsam
(75) Inventors: **Brian K. Beesley**, Draper, UT (US); 3,107,711 A 10/1963 Azmus
Kelly A. Harward, Layton, UT (US) 3,315,947 A 4/1967 Nauta

(73) Assignee: **Back to Basics Products, LLC**, Vernon Hills, IL (US)

(Continued)

FOREIGN PATENT DOCUMENTS

(**) Term: **14 Years** EP 1475024 11/2004

(Continued)

(21) Appl. No.: **29/245,446**

OTHER PUBLICATIONS

(22) Filed: **Dec. 21, 2005**

Owner's Manual & Recipe Book, Automatic Hot Milk Frother, Froth Aulait Models FAL-W & FAL-B, 2001.

(51) **LOC (8) Cl.** **31-00**

(Continued)

(52) **U.S. Cl.** **D7/378; D7/374**

(58) **Field of Classification Search** D7/372,
D7/374-378, 306, 384, 386, 412, 282.2;
99/348, 509-511; 241/33, 37.5, 101.01,
241/101.1, 274, 285.2; 366/65, 96, 98, 197,
366/199, 205-206, 241-247, 279, 341
See application file for complete search history.

Primary Examiner—Catherine R. Oliver
(74) *Attorney, Agent, or Firm*—Thorpe North & Western LLP

(57) **CLAIM**

(56) **References Cited**

The ornamental design for a slushie maker, as shown and described.

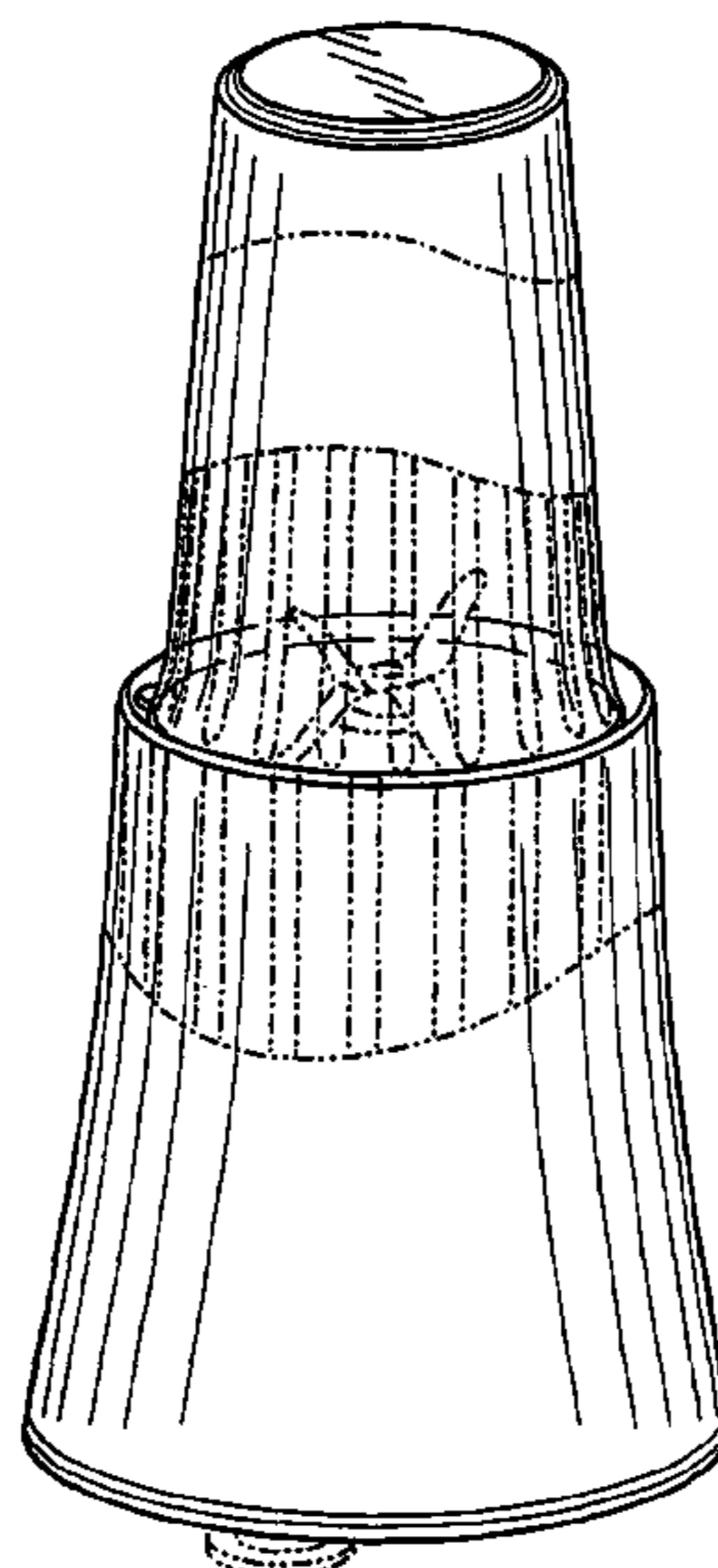
U.S. PATENT DOCUMENTS

DESCRIPTION

373,113 A	11/1887	Wagner	366/245
374,706 A	12/1887	Rosenkranz	366/288
1,412,536 A	4/1922	Mayer		
1,874,079 A	8/1932	Black		
2,012,637 A	8/1935	Ribley		
2,066,997 A	1/1937	Mueller		
2,070,545 A	2/1937	Gilbert		
2,282,866 A	5/1942	Hagen		
2,311,379 A	2/1943	Gillanders		
2,315,018 A	3/1943	Lawrence	99/501
D156,635 S	12/1949	Law et al.		
2,559,196 A	7/1951	Medved		
2,785,547 A	3/1957	Barros		
D183,177 S	7/1958	Oertli	D7/378
2,851,258 A	9/1958	Siehrs		
2,945,634 A	7/1960	Beck et al.		
3,013,775 A	12/1961	Bruntjen		

FIG. 1 is an elevated, perspective view of the slushie maker in accordance with my invention;
FIG. 2 is a front elevation view thereof;
FIG. 3 is a rear elevation view thereof;
FIG. 4 is a left side elevation view thereof;
FIG. 5 is a right side elevation view thereof;
FIG. 6 is a top plan view thereof; and,
FIG. 7 is a bottom plan view thereof.
The broken lines shown in FIGS. 1-7 are for illustrative purposes only and form no part of the claimed design.

1 Claim, 6 Drawing Sheets



US D549,043 S

U.S. PATENT DOCUMENTS

3,346,029	A	10/1967	Harris	
3,355,068	A	11/1967	Harland	
3,417,972	A	12/1968	Vincent	
3,427,636	A	2/1969	Seifert	
3,765,275	A	10/1973	Johnson	
3,780,393	A	12/1973	Gaetke	
3,895,548	A	7/1975	Sauve	
3,920,224	A	11/1975	Fassauer	
3,938,784	A	2/1976	Moreton	
4,030,707	A	6/1977	Moreton	
4,071,789	A	1/1978	Ernster et al.	
4,116,366	A	9/1978	Takenakashima et al.	
4,137,578	A	2/1979	Felici	
4,201,487	A	5/1980	Backhaus	
4,250,771	A	2/1981	Berler	
4,252,160	A	2/1981	Numbers	
4,268,080	A	5/1981	Lindley	
4,337,000	A	6/1982	Lehmann	
4,357,861	A	11/1982	Di Girolamo	
4,395,792	A	8/1983	Cosner	
4,397,427	A	8/1983	Howard	
4,488,664	A	12/1984	Cleland	
4,501,538	A	2/1985	Bray et al.	
4,513,688	A	4/1985	Fassauer	
4,537,332	A	8/1985	Brown et al.	
4,561,782	A	12/1985	Jacobsen et al.	
4,824,369	A	4/1989	Levy	
5,048,402	A	9/1991	Letournel et al.	
5,302,021	A	4/1994	Jennett et al.	
5,323,691	A	6/1994	Reese et al.	
5,356,215	A	10/1994	Inoue et al.	
D363,634	S	10/1995	Cohn	D7/306
5,479,851	A	1/1996	McClean et al.	
D370,151	S	5/1996	McLinden et al.	D7/378
5,518,312	A	5/1996	Inoue et al.	366/293
D373,504	S	9/1996	Leverrier	D7/378
5,567,049	A	10/1996	Beudet et al.	366/206
5,636,923	A	6/1997	Nejat-Bina	
5,662,032	A	9/1997	Baratta	
5,671,664	A	9/1997	Jacobson	
5,690,021	A	11/1997	Grey	
D394,986	S	6/1998	Lallemand	D7/378
5,758,963	A	6/1998	Xie et al.	
5,823,667	A	10/1998	Fukushima et al.	
5,857,946	A	1/1999	Brown	

6,065,188	A	5/2000	Wold et al.	
6,065,861	A	5/2000	Chen	
6,158,626	A	12/2000	Guerra et al.	
D439,797	S	4/2001	Planca et al.	D7/378
6,283,625	B2	9/2001	Frankel et al.	
6,318,247	B1	11/2001	Di Nunzio et al.	
D453,443	S	2/2002	Hoare et al.	D7/378
D465,127	S	11/2002	Lee	D7/378
6,523,994	B2	2/2003	Lawson	
6,527,433	B2	3/2003	Daniels, Jr.	
D474,643	S	5/2003	Daniels, Jr.	D7/386
6,609,821	B2	8/2003	Wulf et al.	
D479,666	S *	9/2003	Barker	D7/378
6,637,671	B2	10/2003	Swanson et al.	
6,652,137	B1	11/2003	Bosch et al.	
D487,213	S	3/2004	Boyle et al.	D7/378
D487,668	S	3/2004	Sands	D7/319
6,817,750	B1	11/2004	Sands	
D500,633	S	1/2005	Sands	D7/396.2
D501,759	S	2/2005	Sands	
D517,859	S *	3/2006	Fung	D7/372
D518,994	S *	4/2006	Lin	D7/378
D519,314	S *	4/2006	Blaise	D7/378
D530,975	S *	10/2006	Fernandez	D7/378
2001/0006486	A1	7/2001	Ofveerberg	
2002/0027175	A1	3/2002	Capp	
2002/0080678	A1	6/2002	Daniel, Jr.	
2003/0099154	A1	5/2003	Daniels, Jr.	
2005/0047272	A1	3/2005	Sands	366/199
2005/0068847	A1	3/2005	Sands	366/205
2005/0122837	A1	6/2005	Bravard et al.	366/199

FOREIGN PATENT DOCUMENTS

GB	764361	A	12/1956
JP	2004 113278		4/2004
JP	2004 357752		12/2004
WO	WO2004/080252		9/2004

OTHER PUBLICATIONS

The Chef's Catalog, Fall 2002, p. 18 Smoothie Pro 600.
 Frontgate—Outfitting America's Finest Homes, Early Spring 2004 Catalog, Feb. 15, 2006, Item #13861 Artrezi Blender.
 Frontgate—Outfitting America's Finest Homes, Fall 2002 Catalog, T-Fal, Feb. 17, 2006, Item #16513 Chrome 40 Oz. Blender.

* cited by examiner

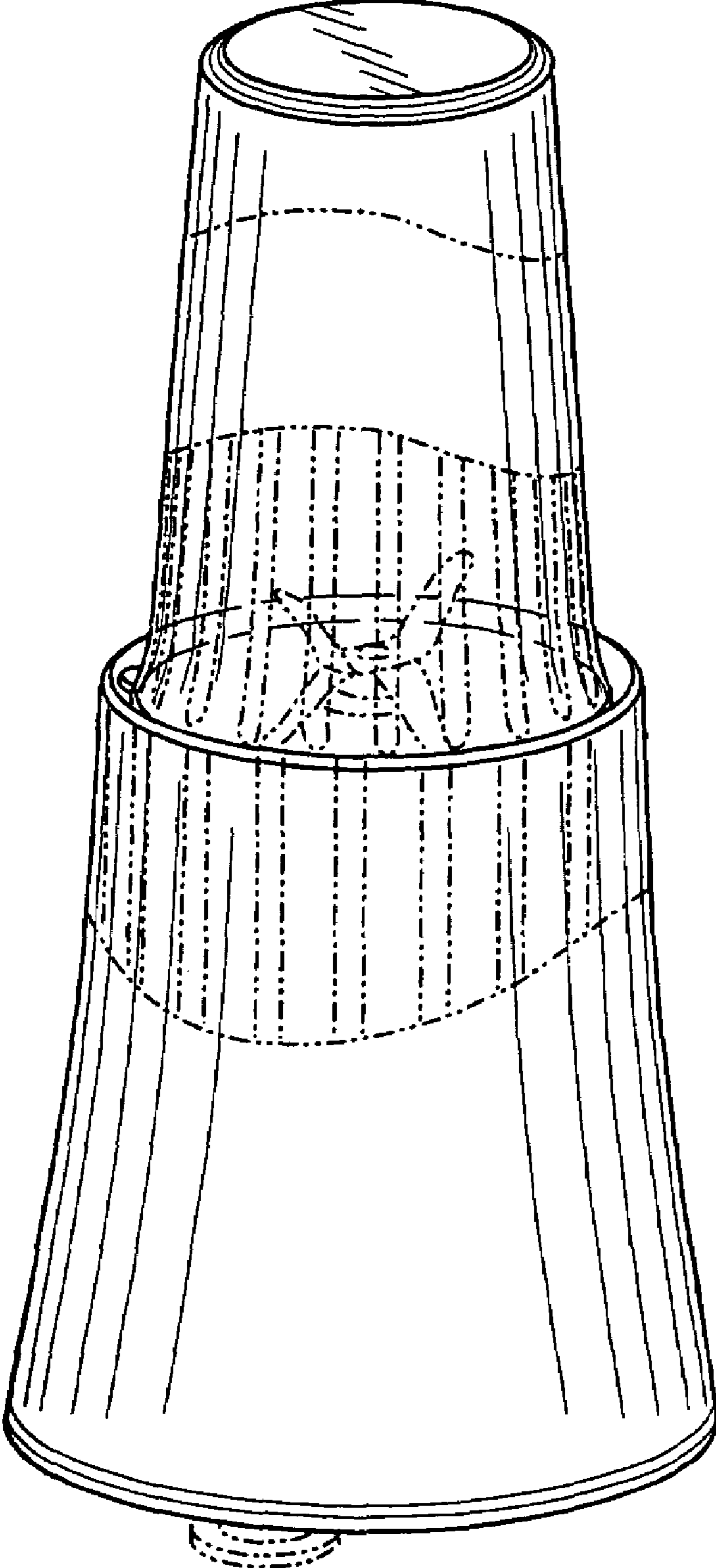


FIG. 1

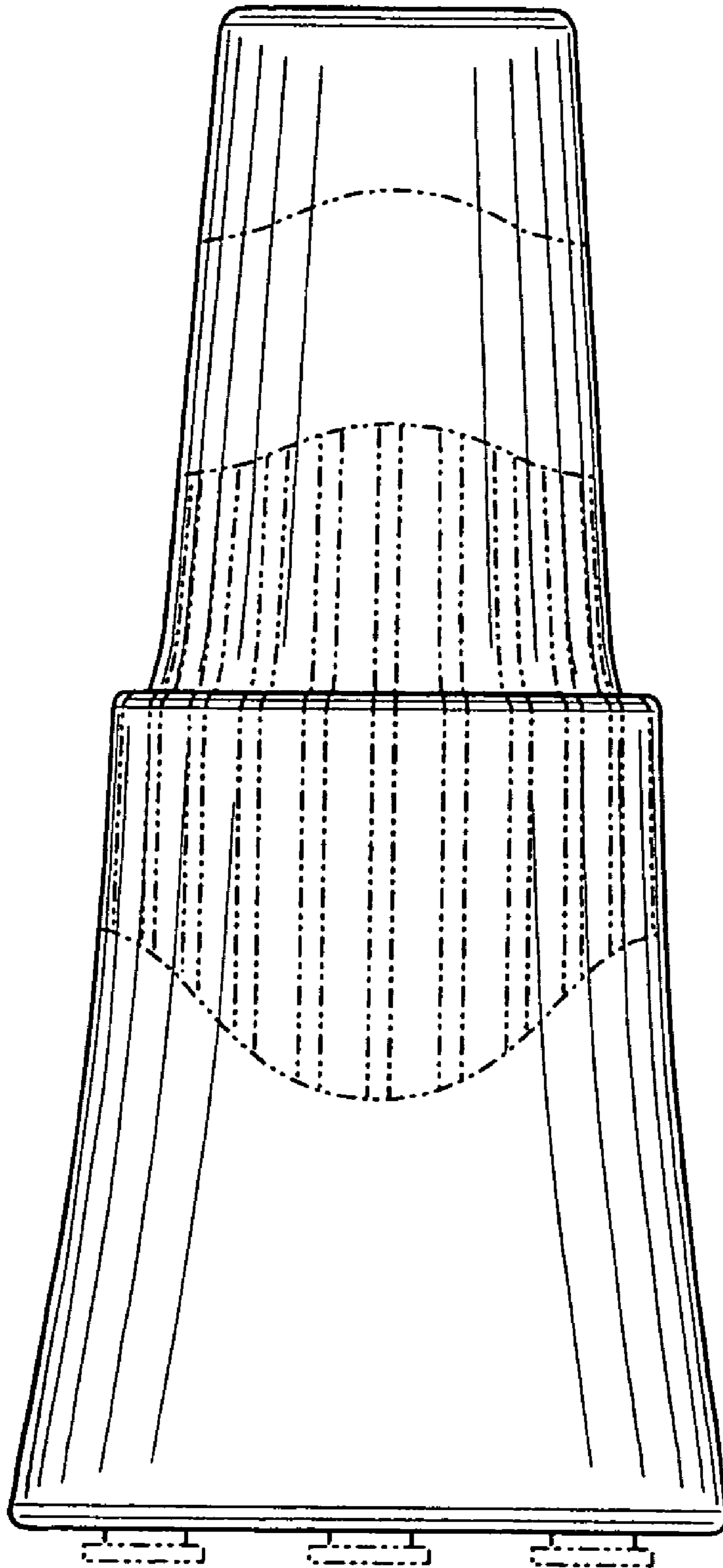


FIG. 2

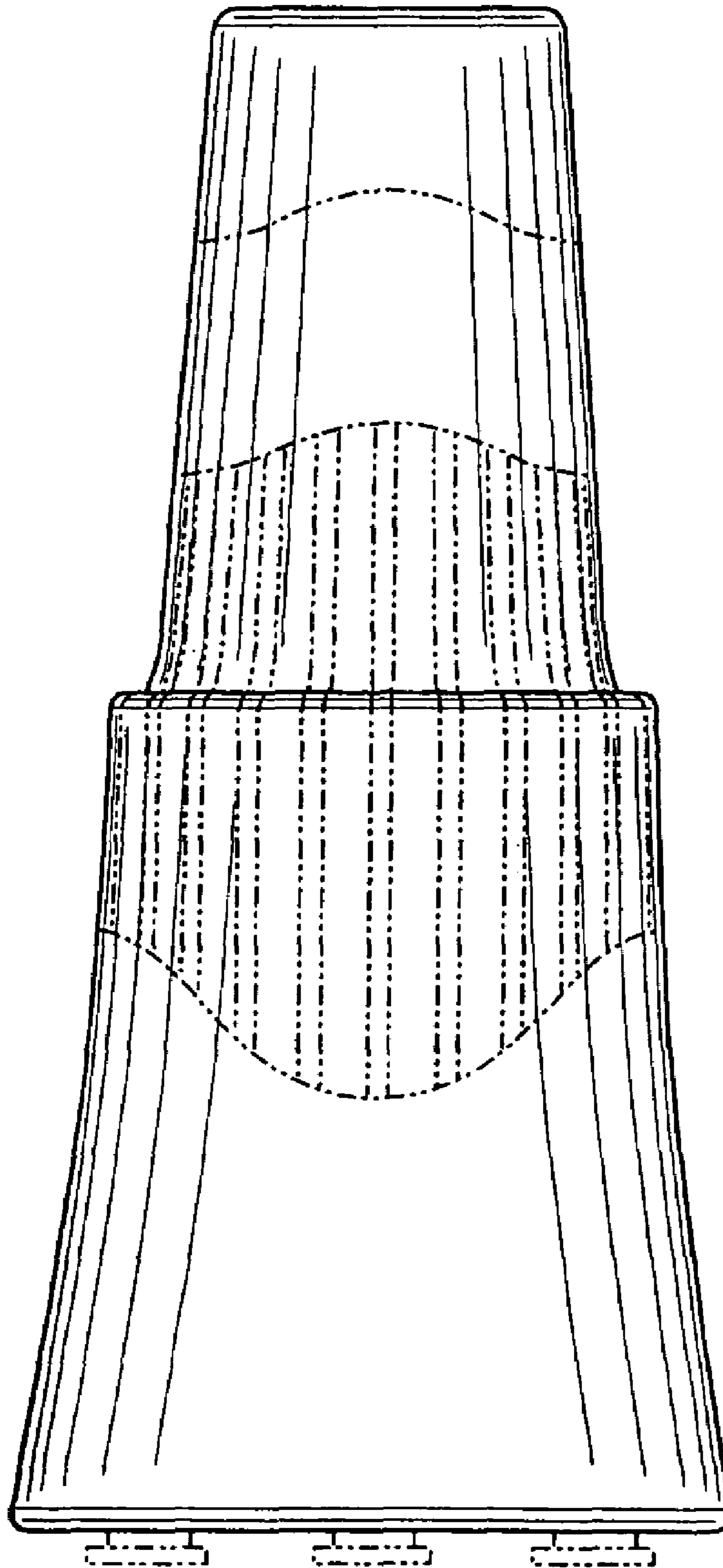


FIG. 3

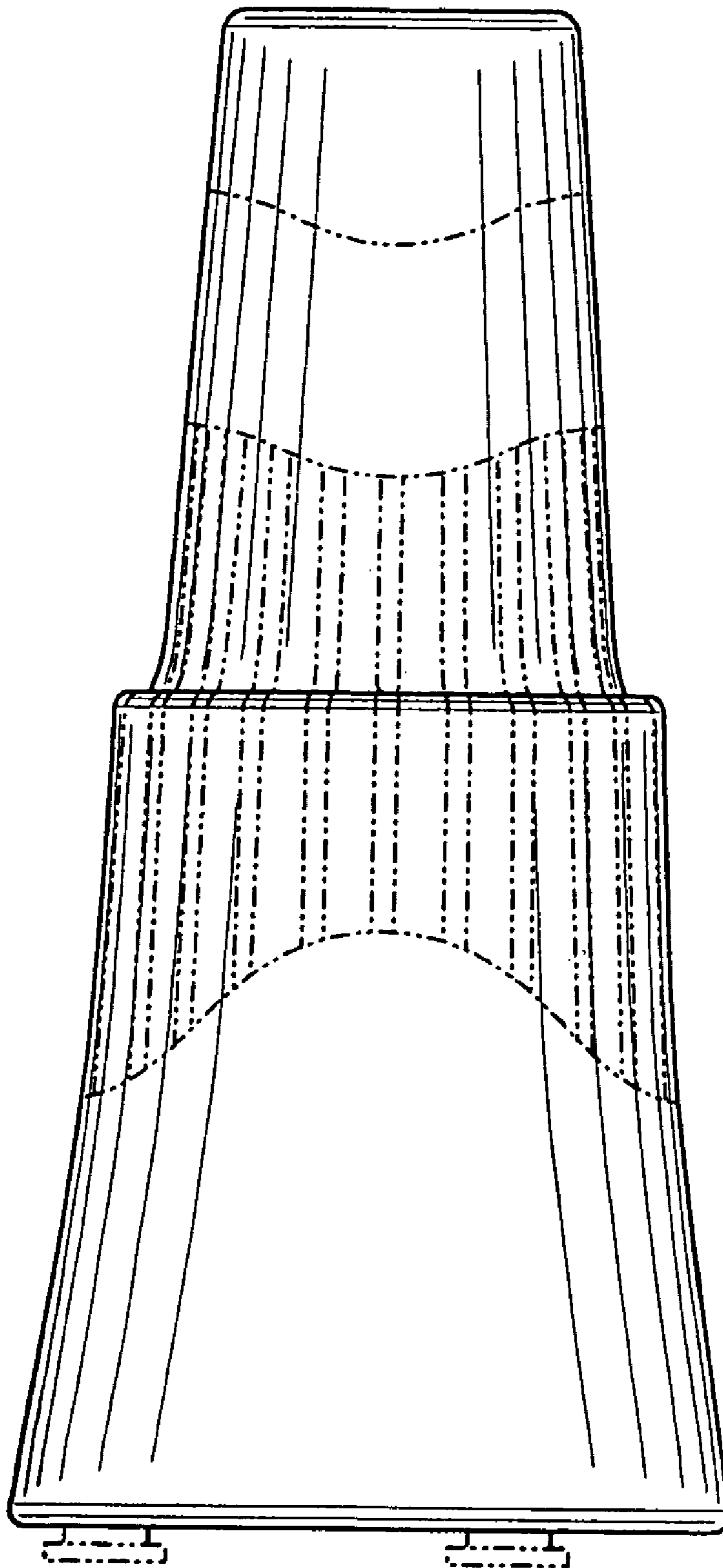


FIG. 4

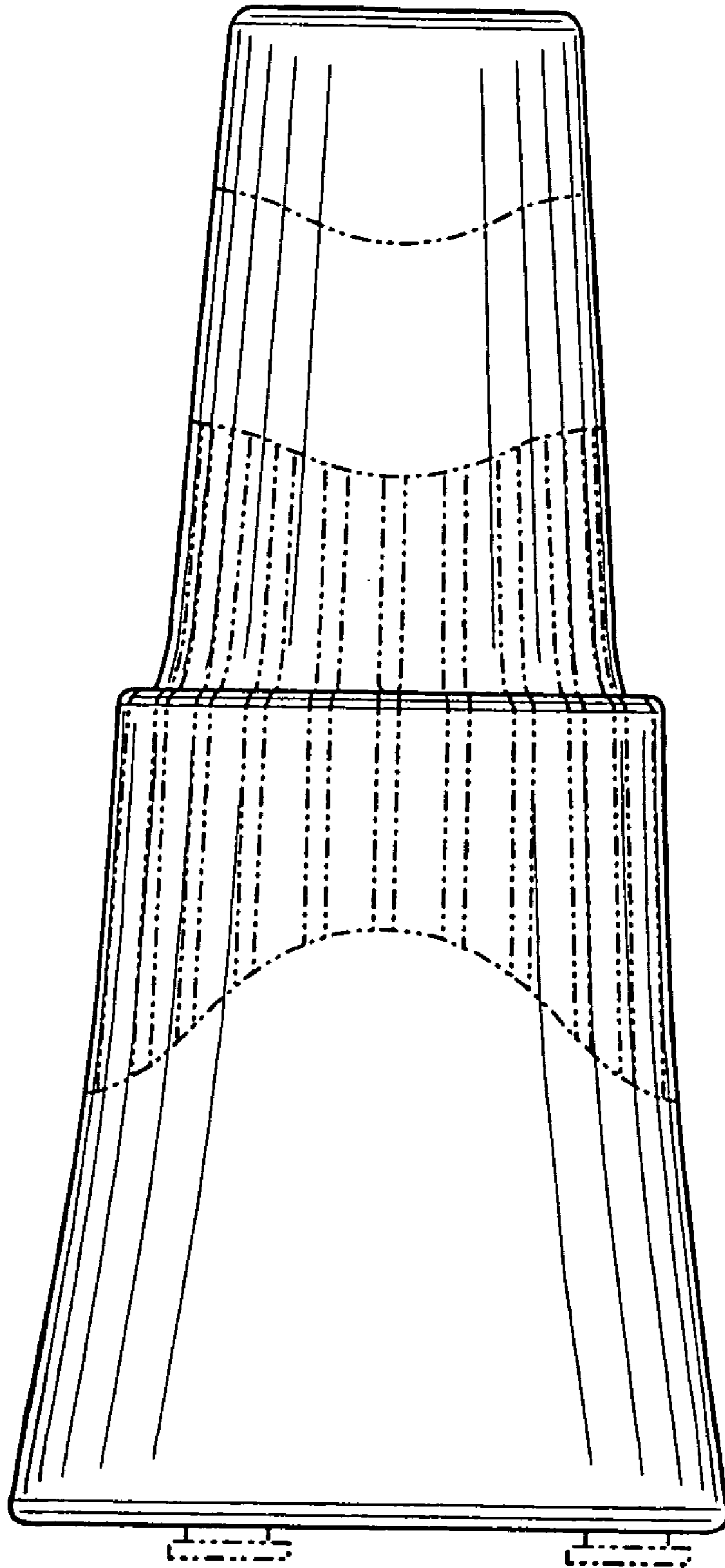


FIG. 5

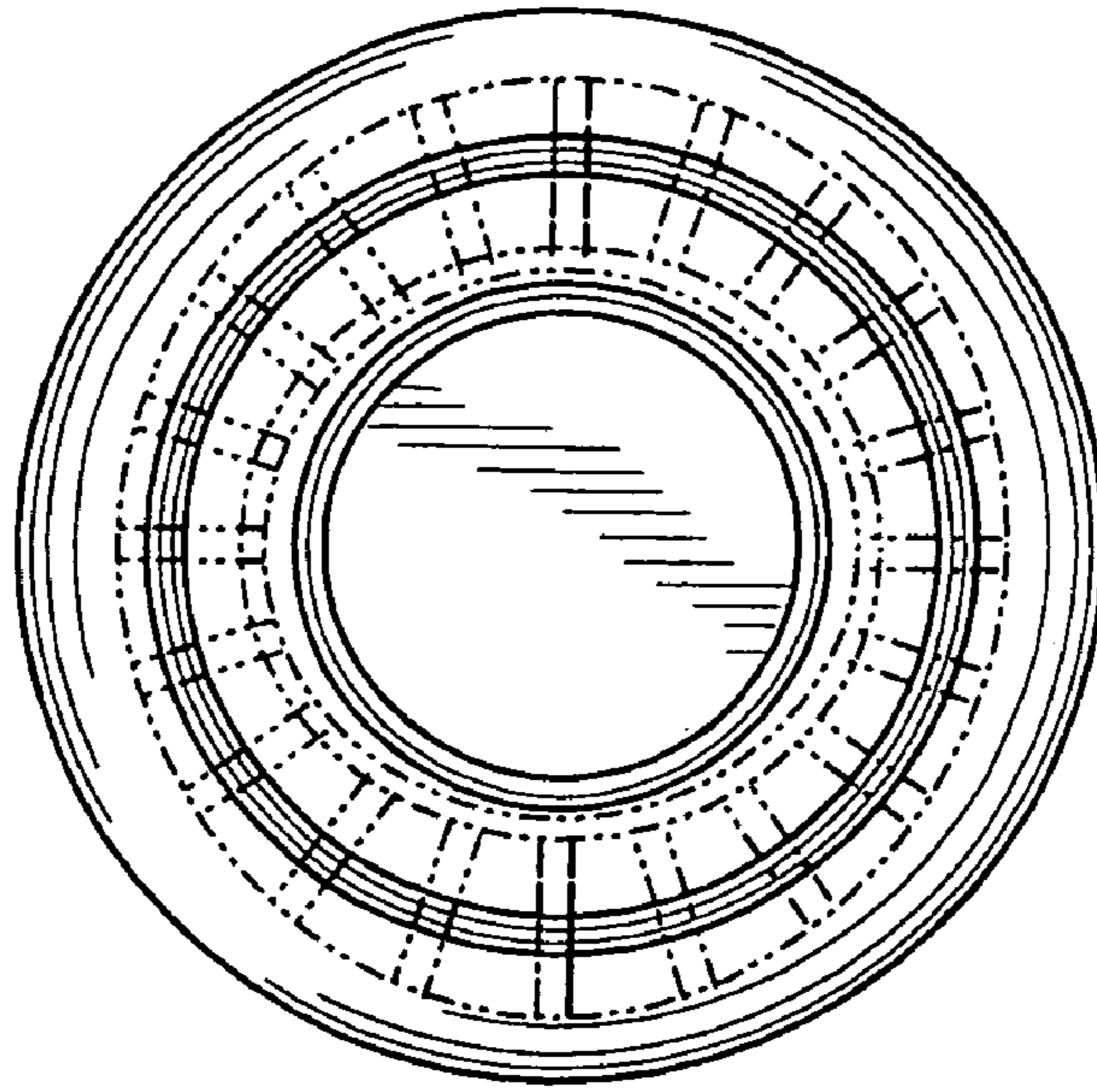


FIG. 6

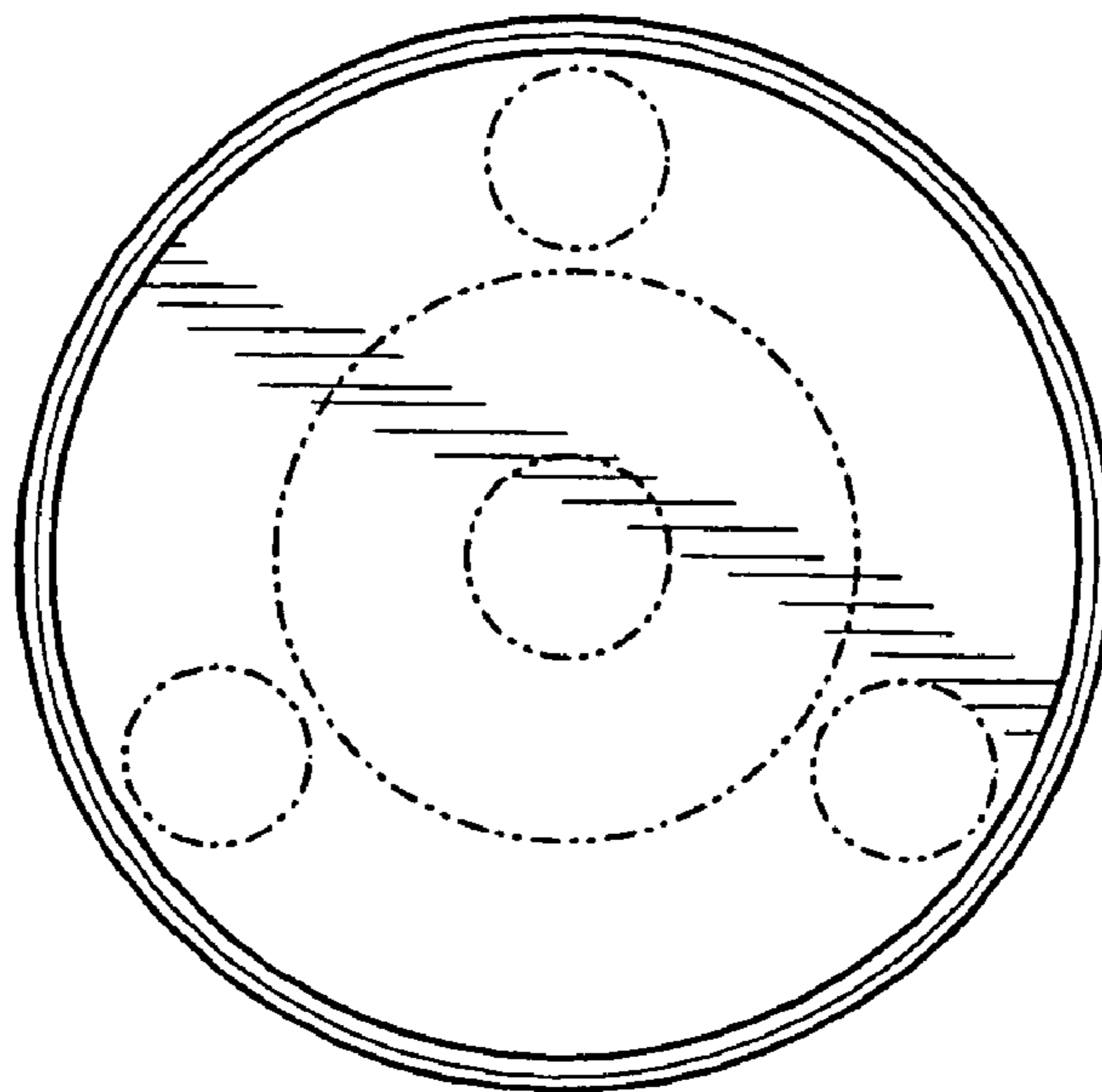


FIG. 7