



US00D549042S

(12) **United States Design Patent**
Vals

(10) **Patent No.:** **US D549,042 S**

(45) **Date of Patent:** **** Aug. 21, 2007**

(54) **VALS CALIFORNIA GRIDDLE**

(76) Inventor: **Richard Vals**, 2540 Whitney Dr.,
Alhambra, CA (US) 91803

(**) Term: **14 Years**

(21) Appl. No.: **29/248,873**

(22) Filed: **Sep. 8, 2006**

(51) **LOC (8) Cl.** **07-02**

(52) **U.S. Cl.** **D7/359**

(58) **Field of Classification Search** D3/307;
D7/323, 354-361, 392.1, 393, 396.1, 538,
D7/543, 545, 550.1, 551.1, 552.1, 553.1,
D7/554.1-554.4, 602, 698; 99/324, 339,
99/422, 446, 448; 126/369; 206/557; 220/573.1-573.4,
220/574, 912; 294/172

See application file for complete search history.

(56) **References Cited**

U.S. PATENT DOCUMENTS

- 162,617 A * 4/1875 Brightman 220/756
- 527,252 A * 10/1894 Stroud 126/369
- D234,488 S * 3/1975 Wiebe D7/361
- D395,548 S * 6/1998 Morissette D3/307

- D427,009 S * 6/2000 Iyengar et al. D7/360
- D431,958 S * 10/2000 Harris D7/354
- D472,423 S * 4/2003 Swinford et al. D7/359
- D483,618 S * 12/2003 Watson D7/545
- 6,668,708 B1 * 12/2003 Swinford et al. 99/426

* cited by examiner

Primary Examiner—Cathron C. Brooks

Assistant Examiner—Ricky Pham

(57) **CLAIM**

The ornamental design for Vals California griddle, as shown and described.

DESCRIPTION

FIG. 1 is a perspective view of a Vals California griddle of the present invention;

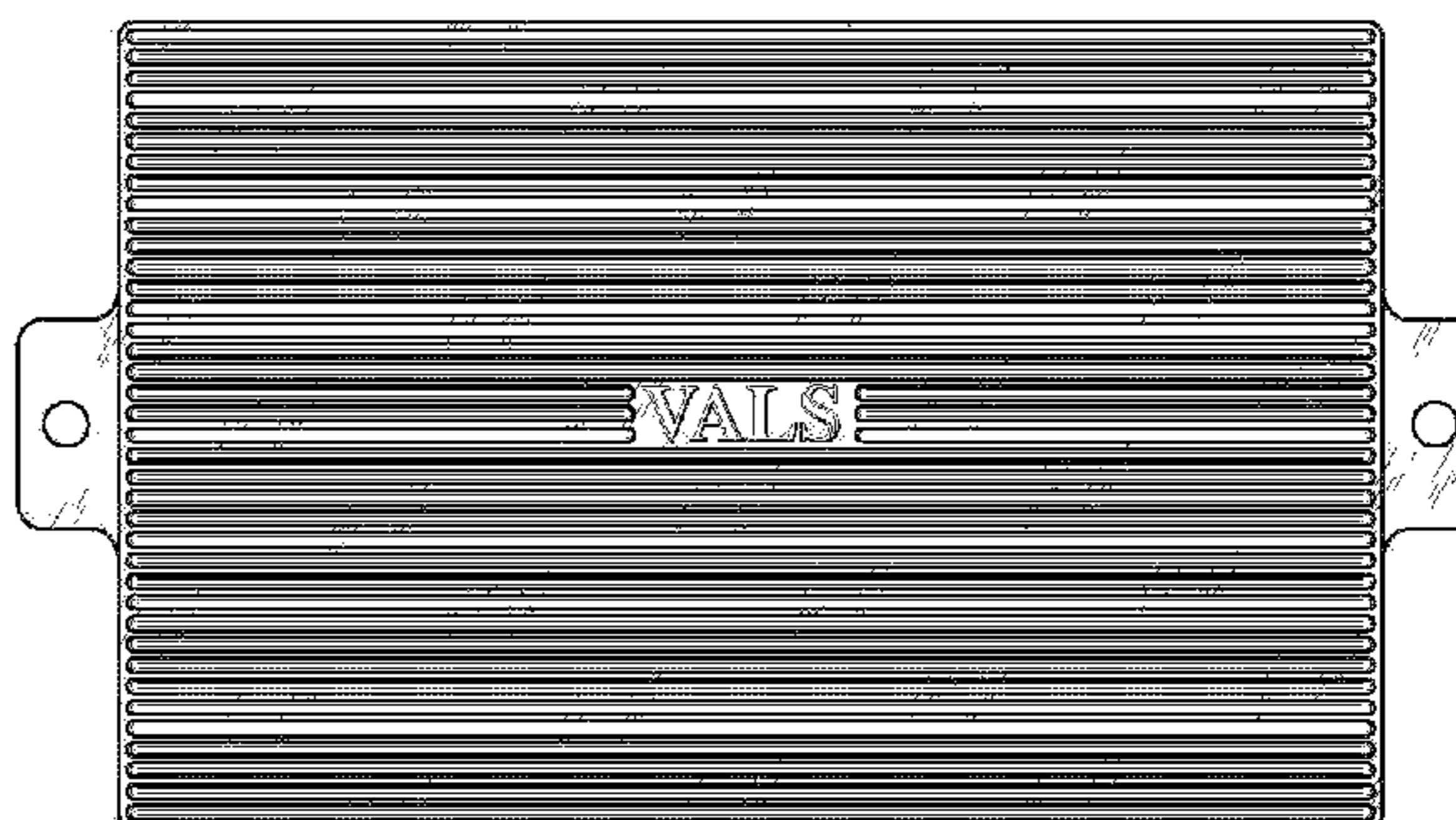
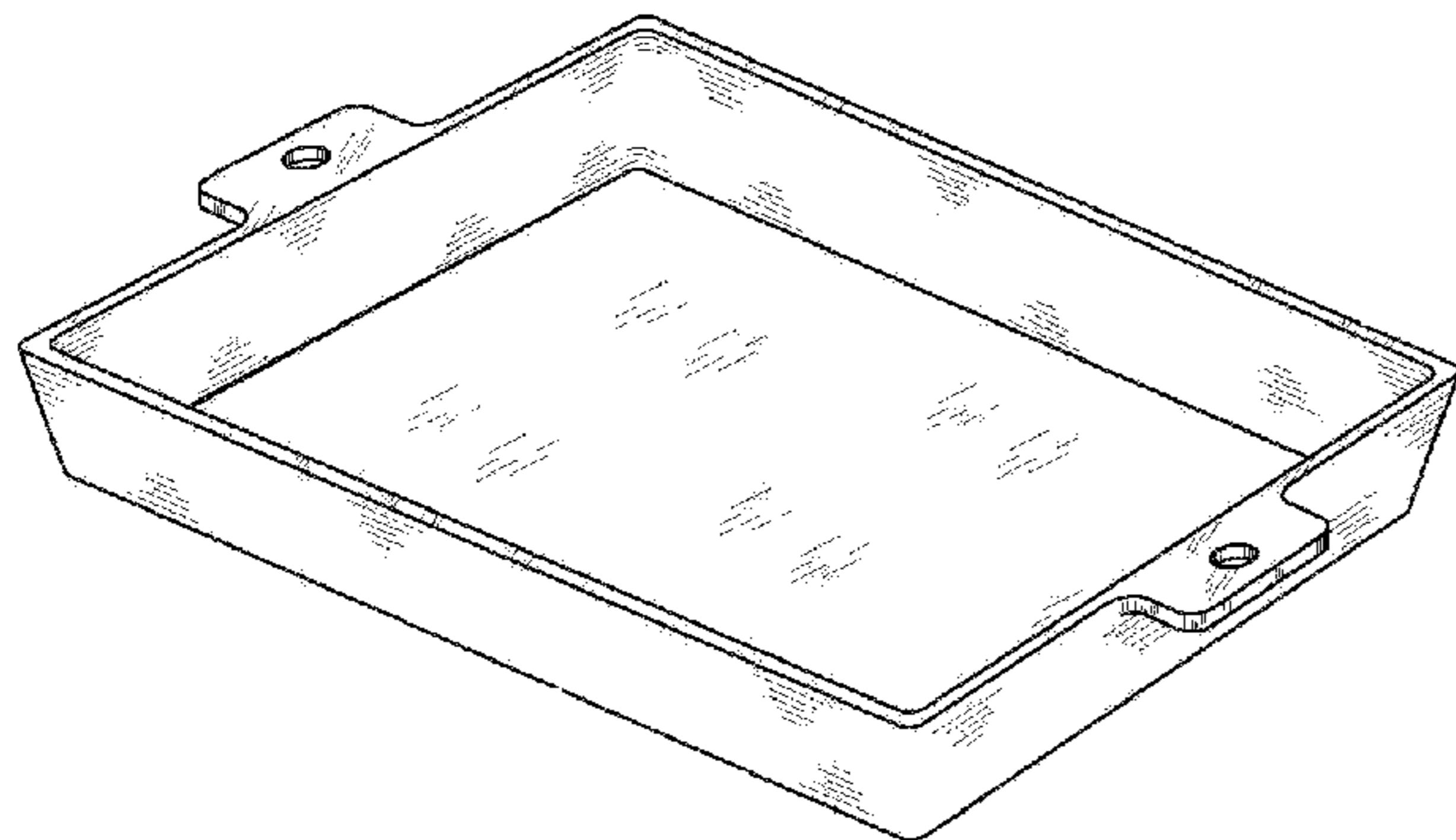
FIG. 2 is a top plan view of the invention;

FIG. 3 is a bottom plan view of the invention;

FIG. 4 is a front elevational view of the invention, the rear elevational view being a mirror image thereof; and,

FIG. 5 is a left-side elevational view of the invention; the right-side elevational view being a mirror image thereof.

1 Claim, 2 Drawing Sheets



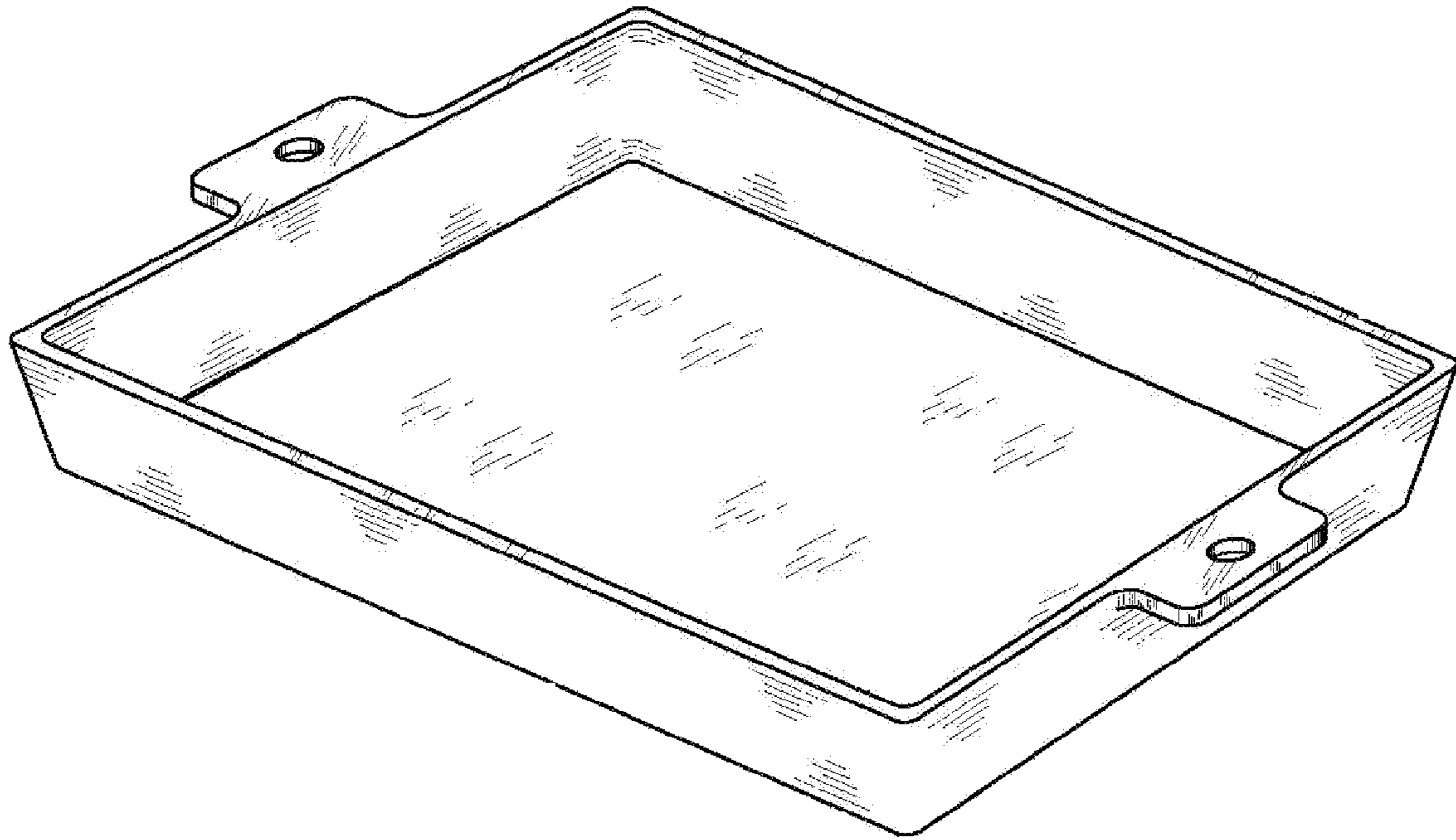


FIG. 1

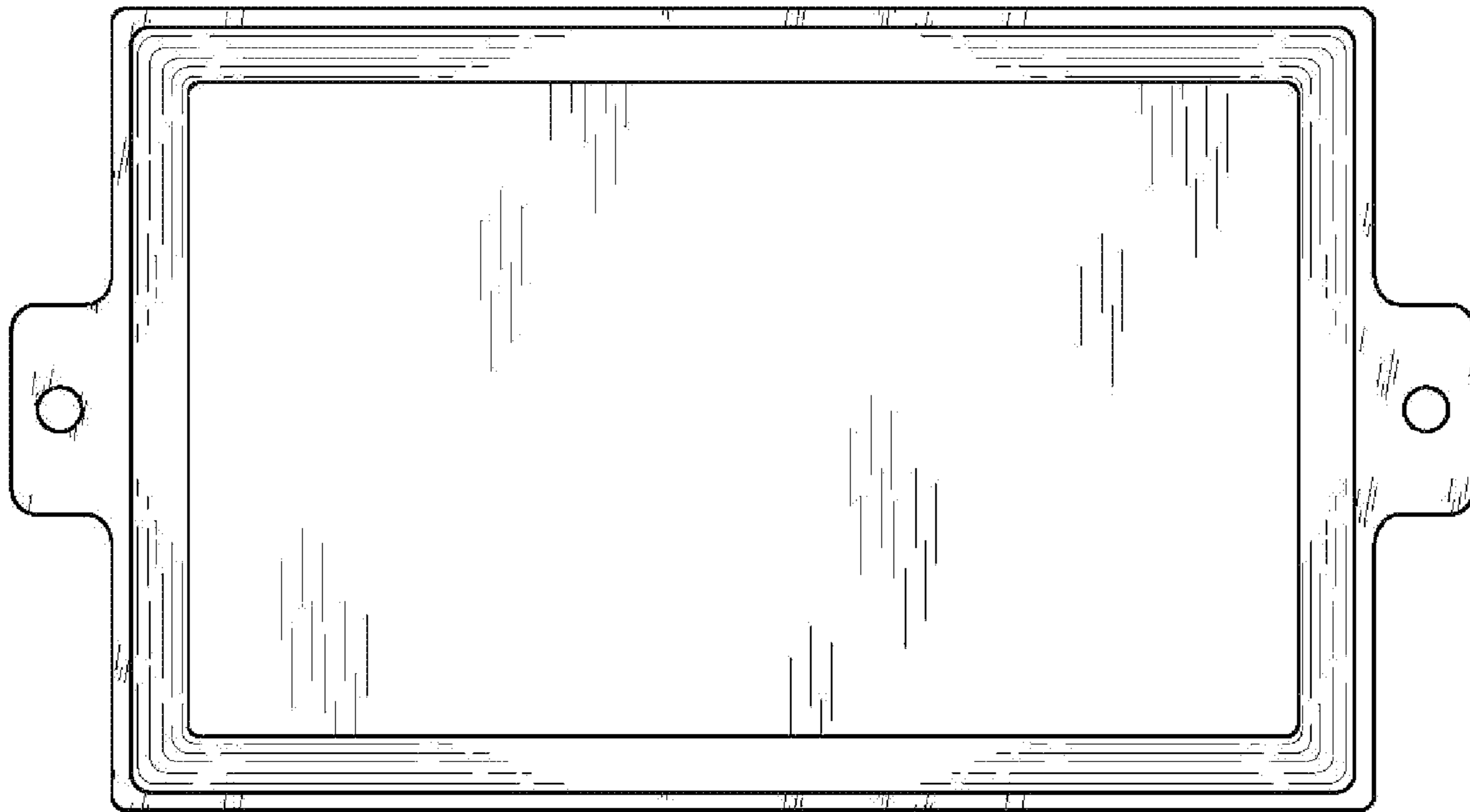


FIG. 2



FIG. 3

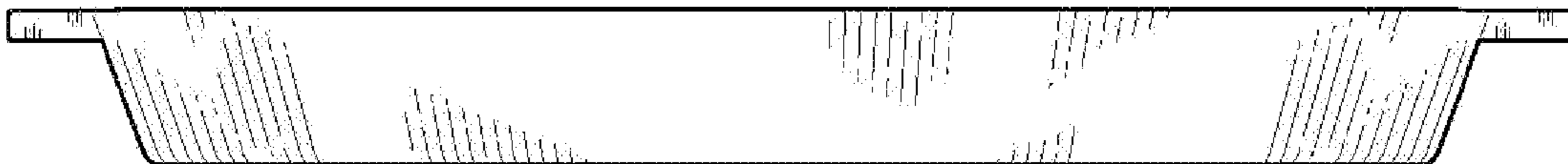


FIG. 4

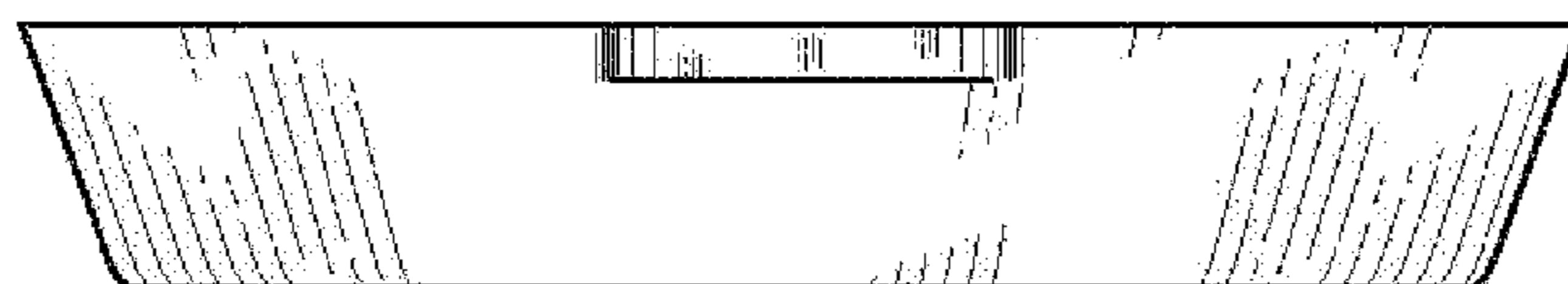


FIG. 5