



US00D549038S

(12) **United States Design Patent**
Chung

(10) **Patent No.:** **US D549,038 S**

(45) **Date of Patent:** **** Aug. 21, 2007**

(54) **BARBECUE GRILL**

(76) Inventor: **Kiosky Chung**, 8F-1, No. 497,
Jhongming S. Rd., West District,
Taichung City 403 (TW)

(**) Term: **14 Years**

(21) Appl. No.: **29/247,301**

(22) Filed: **Jun. 9, 2006**

(51) **LOC (8) Cl.** **07-02**

(52) **U.S. Cl.** **D7/337**

(58) **Field of Classification Search** D7/332-337,
D7/402-405; 126/25 A, 25 AA, 9 R, 9 A,
126/9 B, 38, 37 R, 41 R, 40, 50, 12, 276,
126/8, 304 R; 99/481-482; 312/249.13,
312/249.8, 351.2

See application file for complete search history.

(56) **References Cited**

U.S. PATENT DOCUMENTS

D464,844 S	*	10/2002	Pai	D7/337
D498,113 S	*	11/2004	Zhang	D7/332
D498,114 S	*	11/2004	Zhang	D7/337
D499,299 S	*	12/2004	Zhang	D7/337
D511,433 S	*	11/2005	Zhang	D7/337

D513,149 S	*	12/2005	Zhang	D7/337
D514,870 S	*	2/2006	Chung	D7/337
D515,863 S	*	2/2006	Chung	D7/337

* cited by examiner

Primary Examiner—Ruth McInroy

(74) *Attorney, Agent, or Firm*—Alan Kamrath; Kamrath & Associates PA

(57) **CLAIM**

I claim the ornamental design for a barbecue grill, as shown and described.

DESCRIPTION

FIG. 1 is the perspective view of a barbecue grill showing my new design;

FIG. 2 is the front elevational view thereof;

FIG. 3 is the rear elevational view thereof;

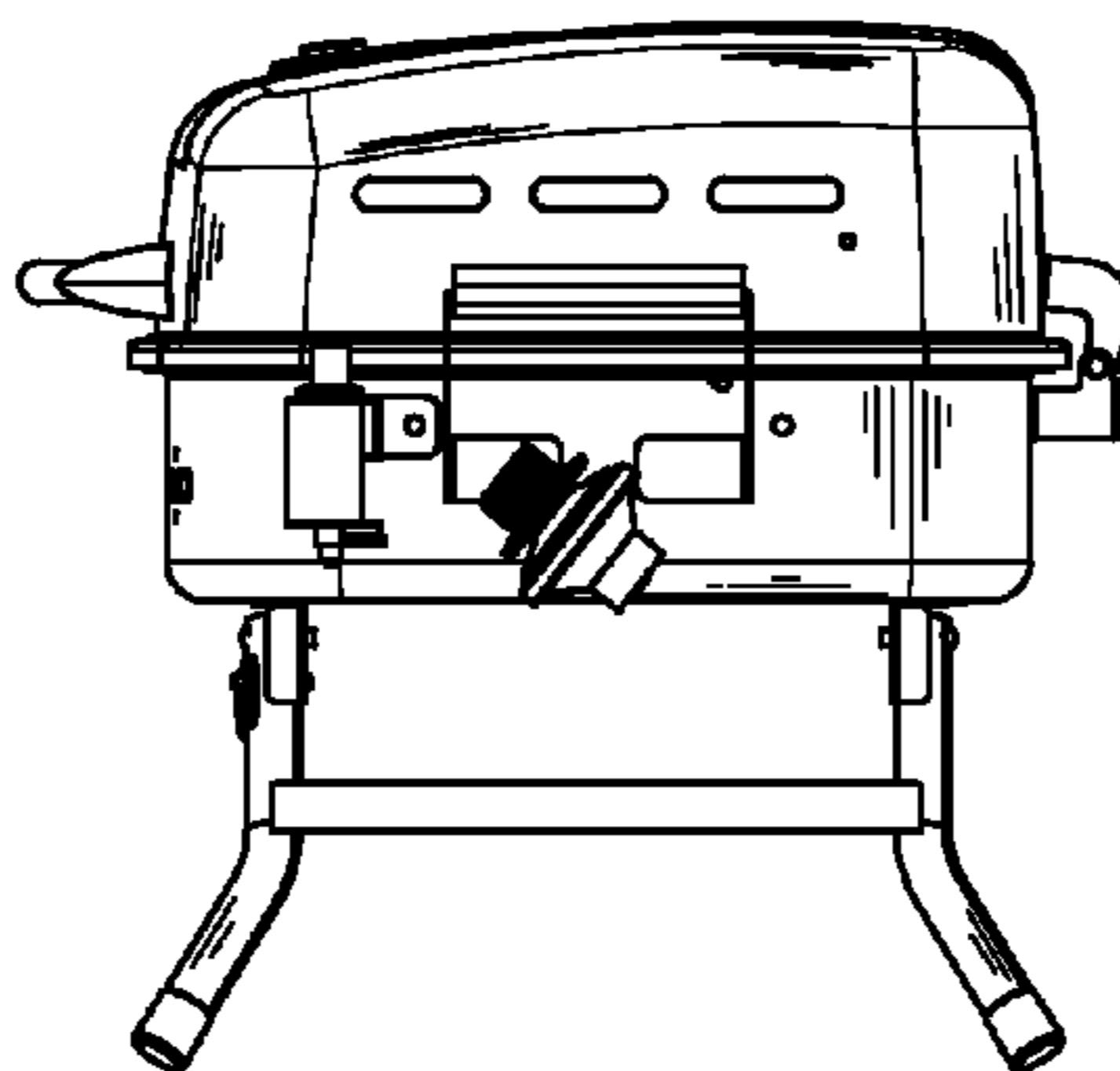
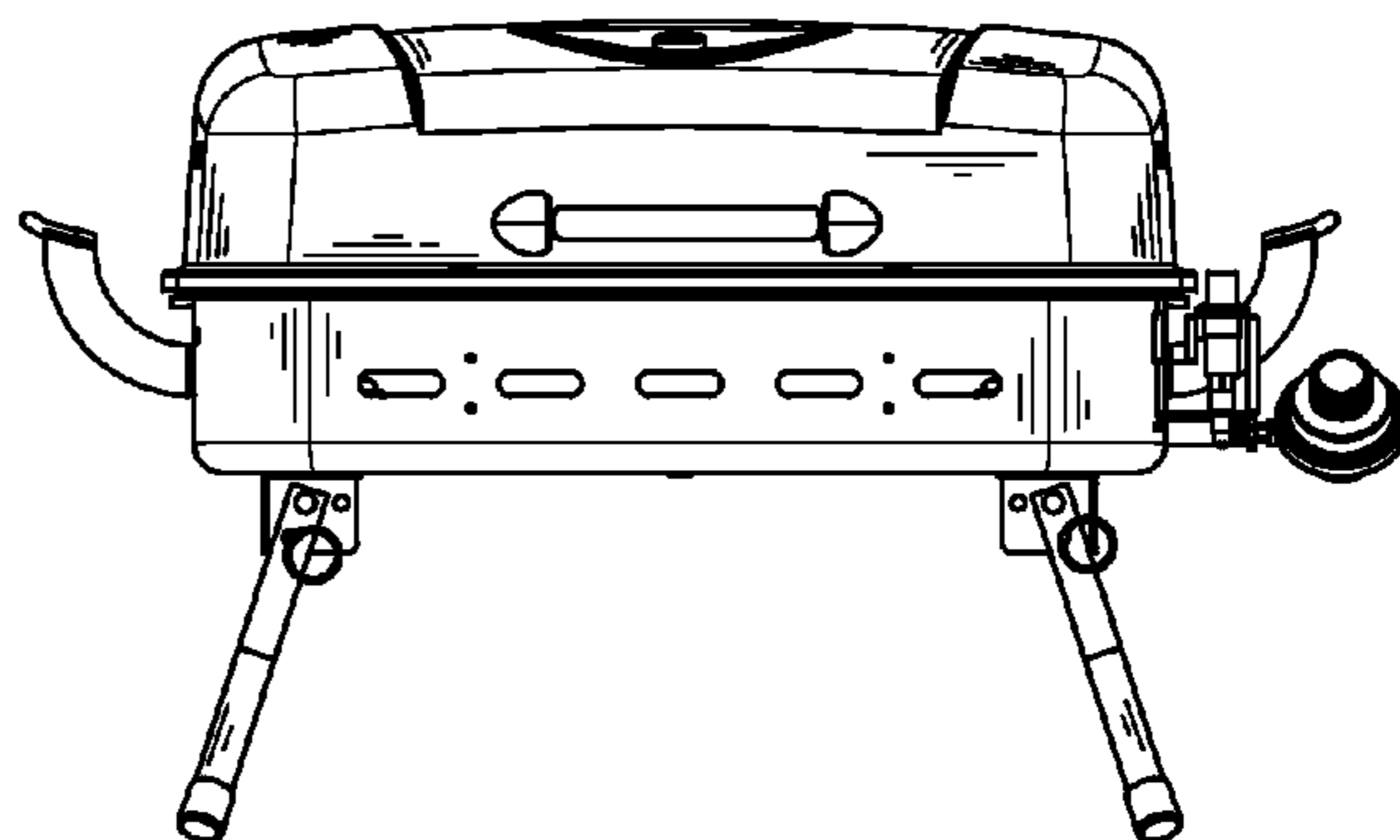
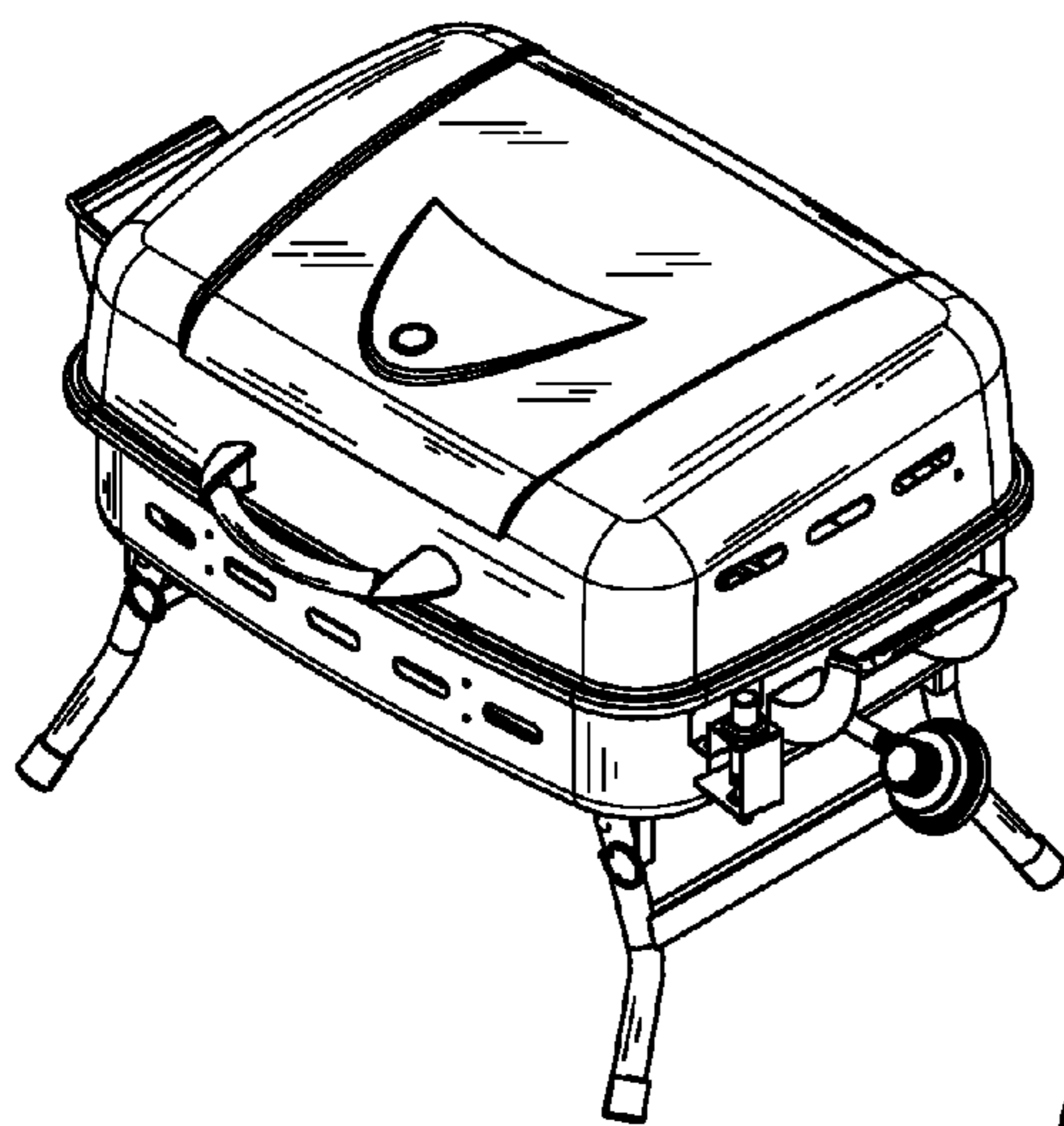
FIG. 4 is the left side elevational view thereof;

FIG. 5 is the right side elevational view thereof;

FIG. 6 is the top plan view thereof; and,

FIG. 7 is the bottom plan view thereof.

1 Claim, 7 Drawing Sheets



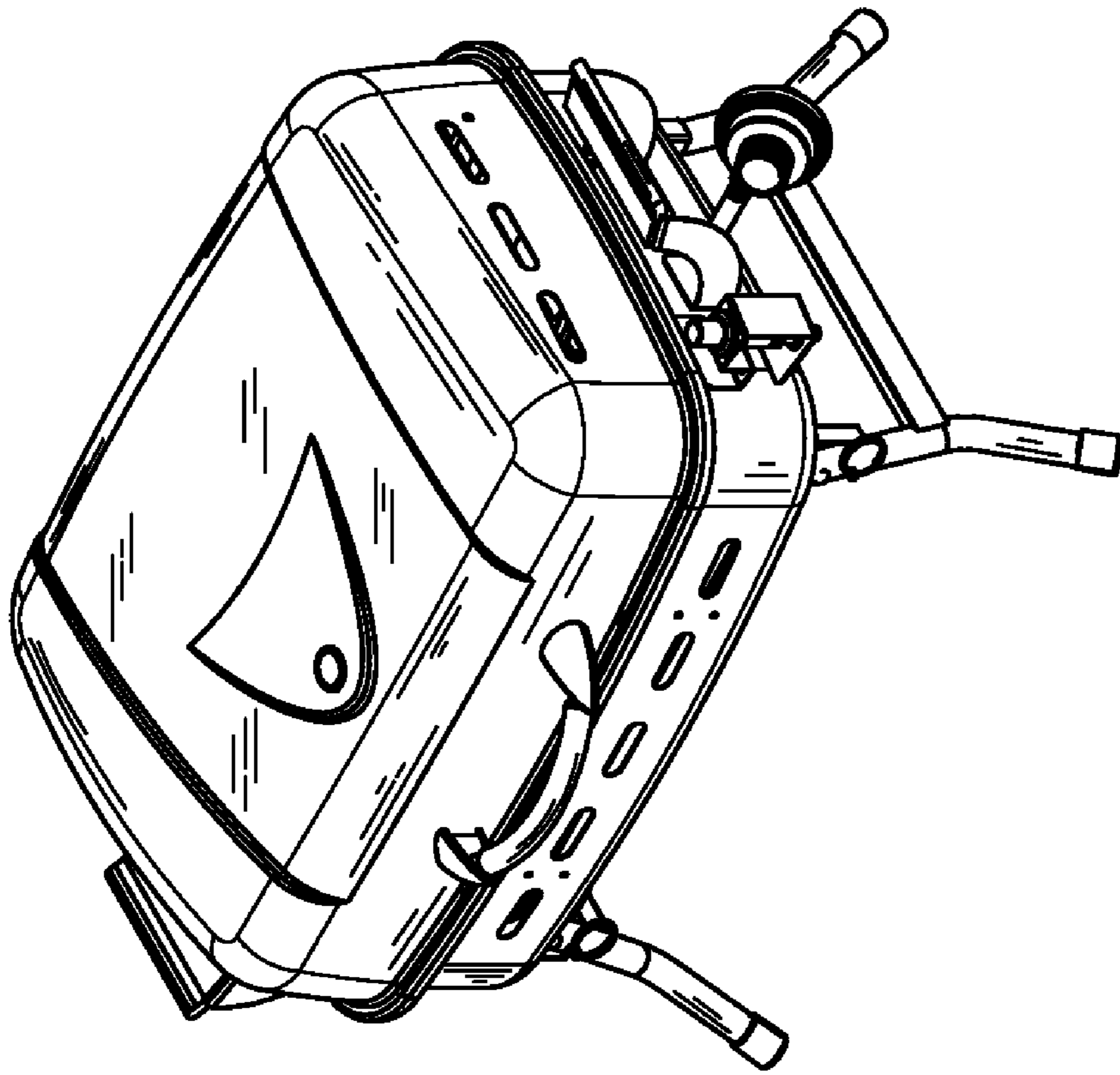


Fig. 1

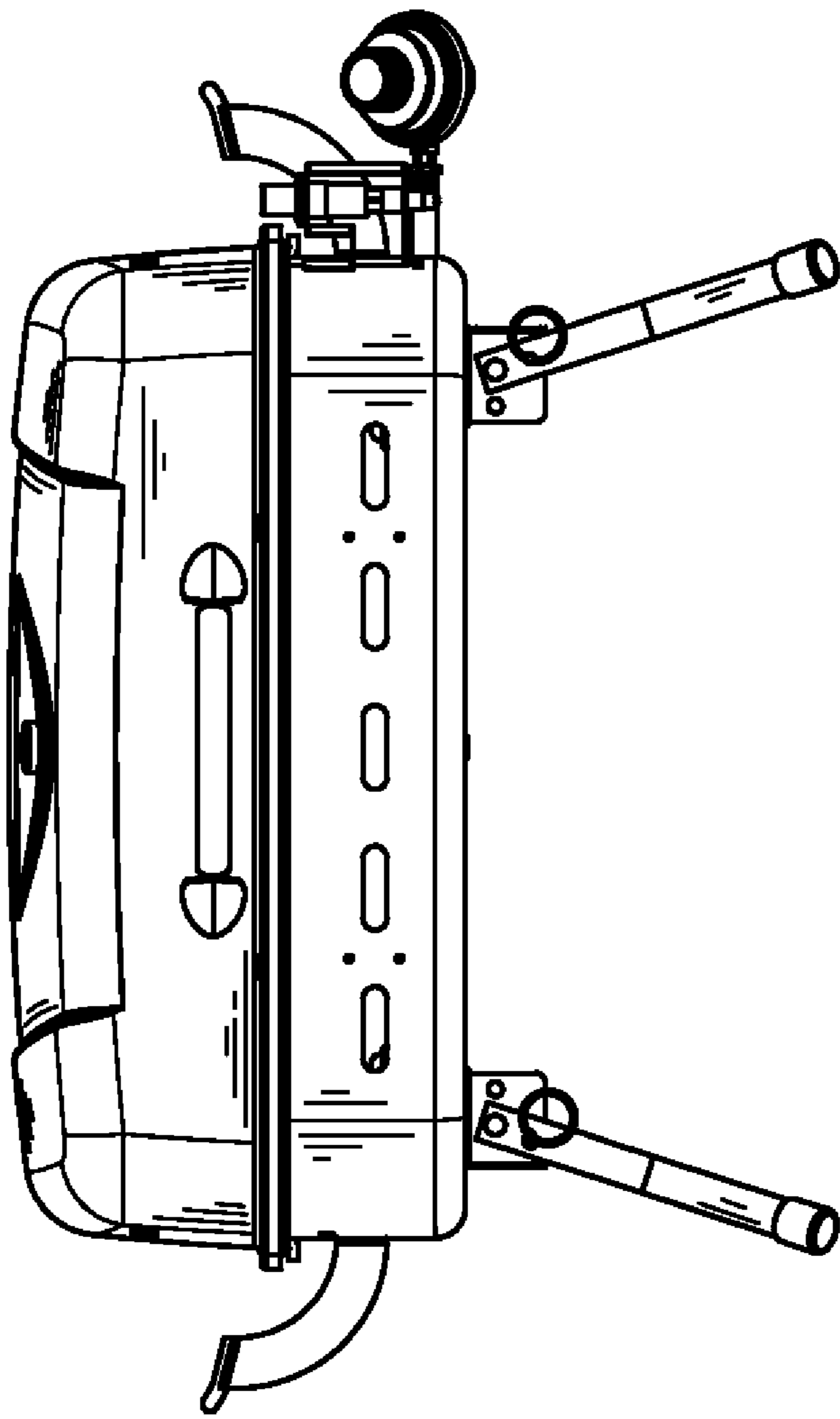


Fig. 2

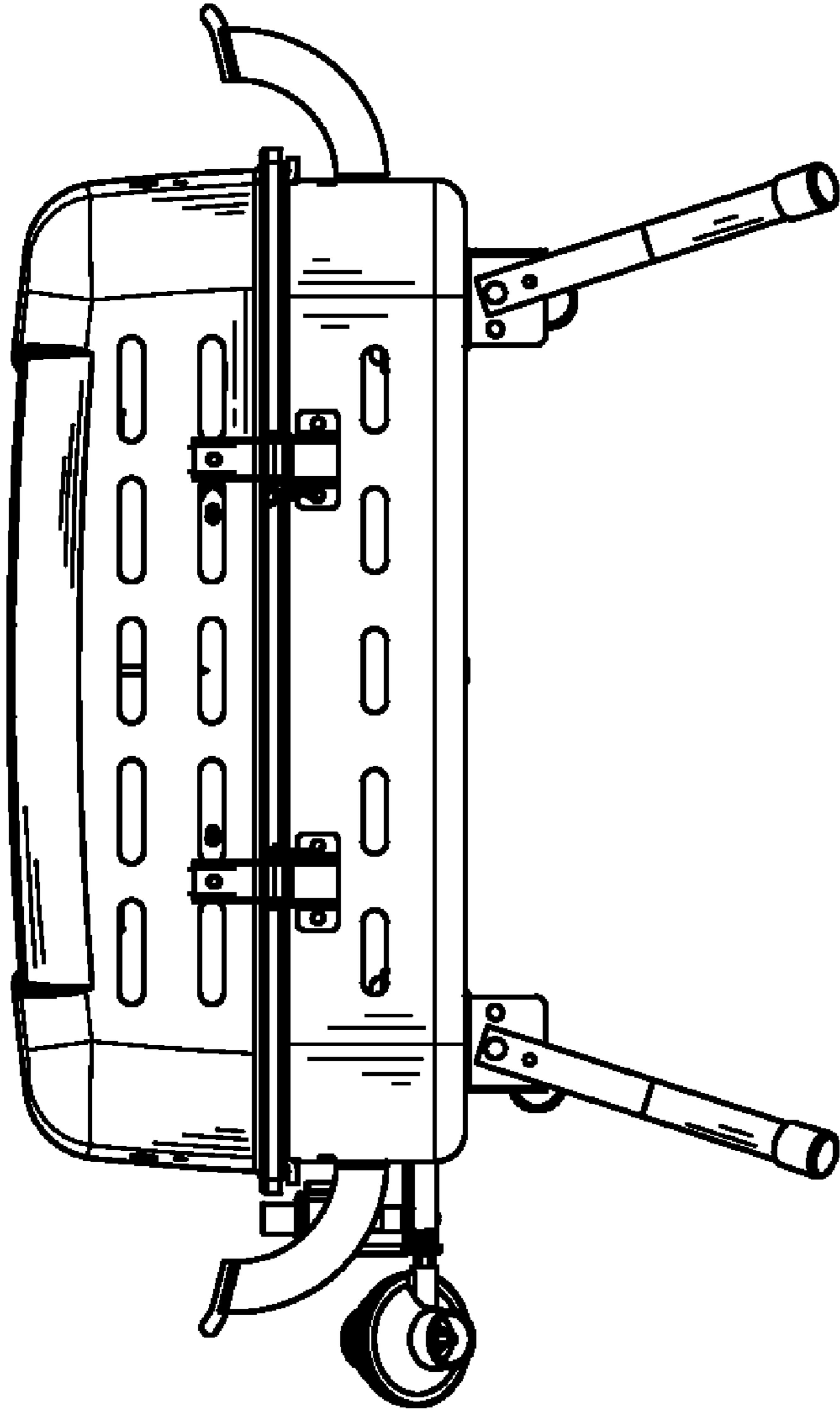


Fig. 3

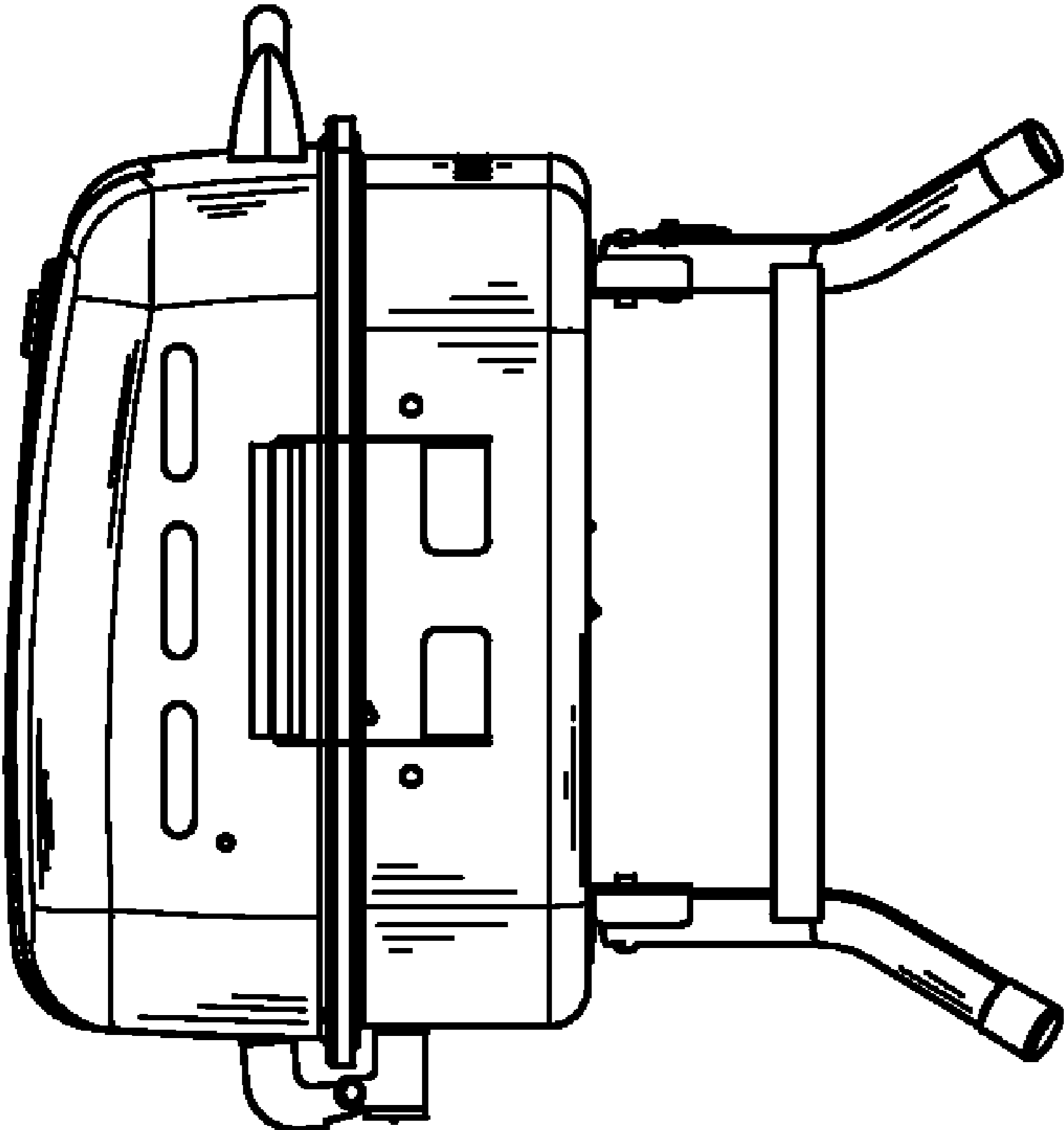


Fig. 4

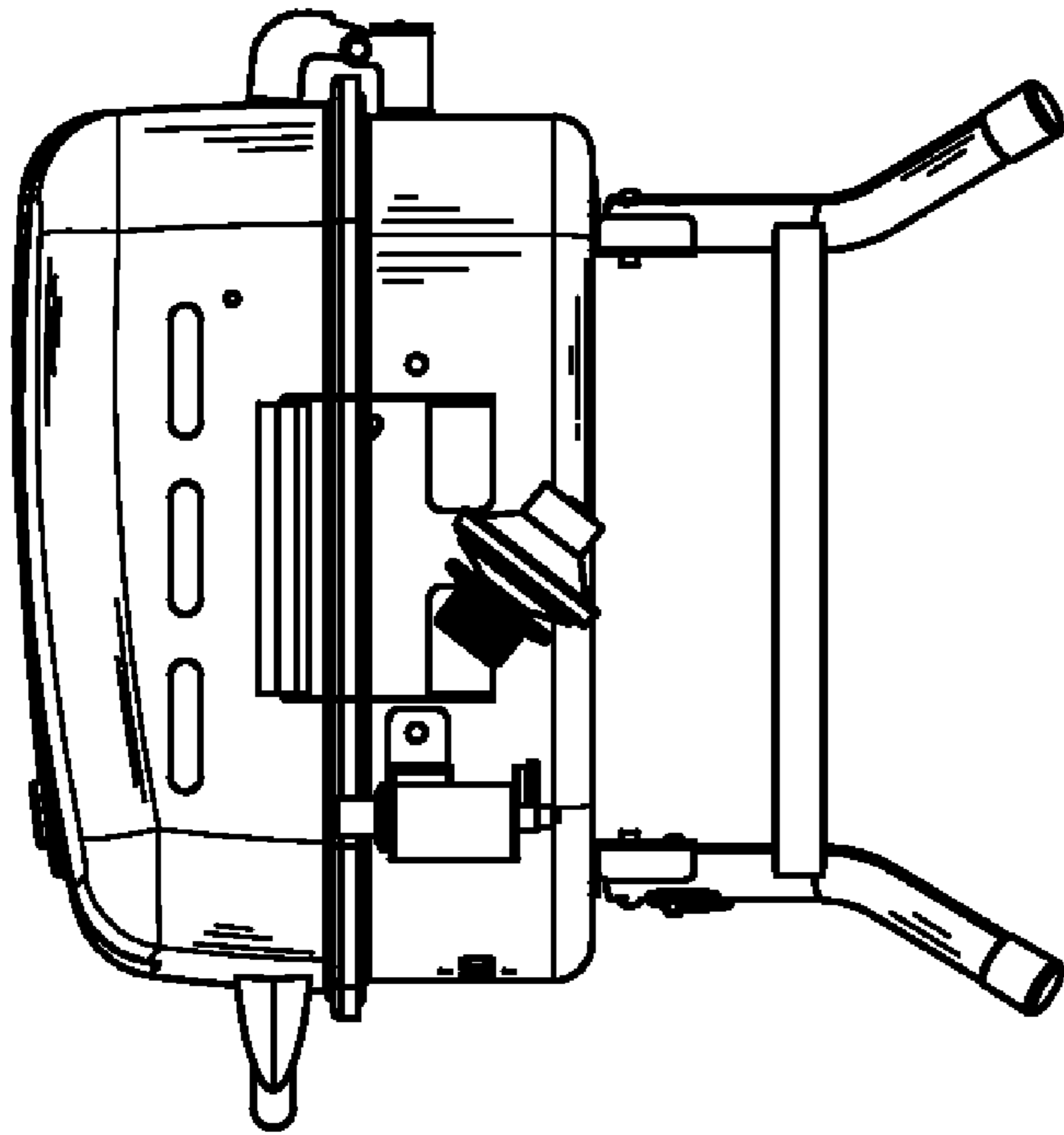


Fig. 5

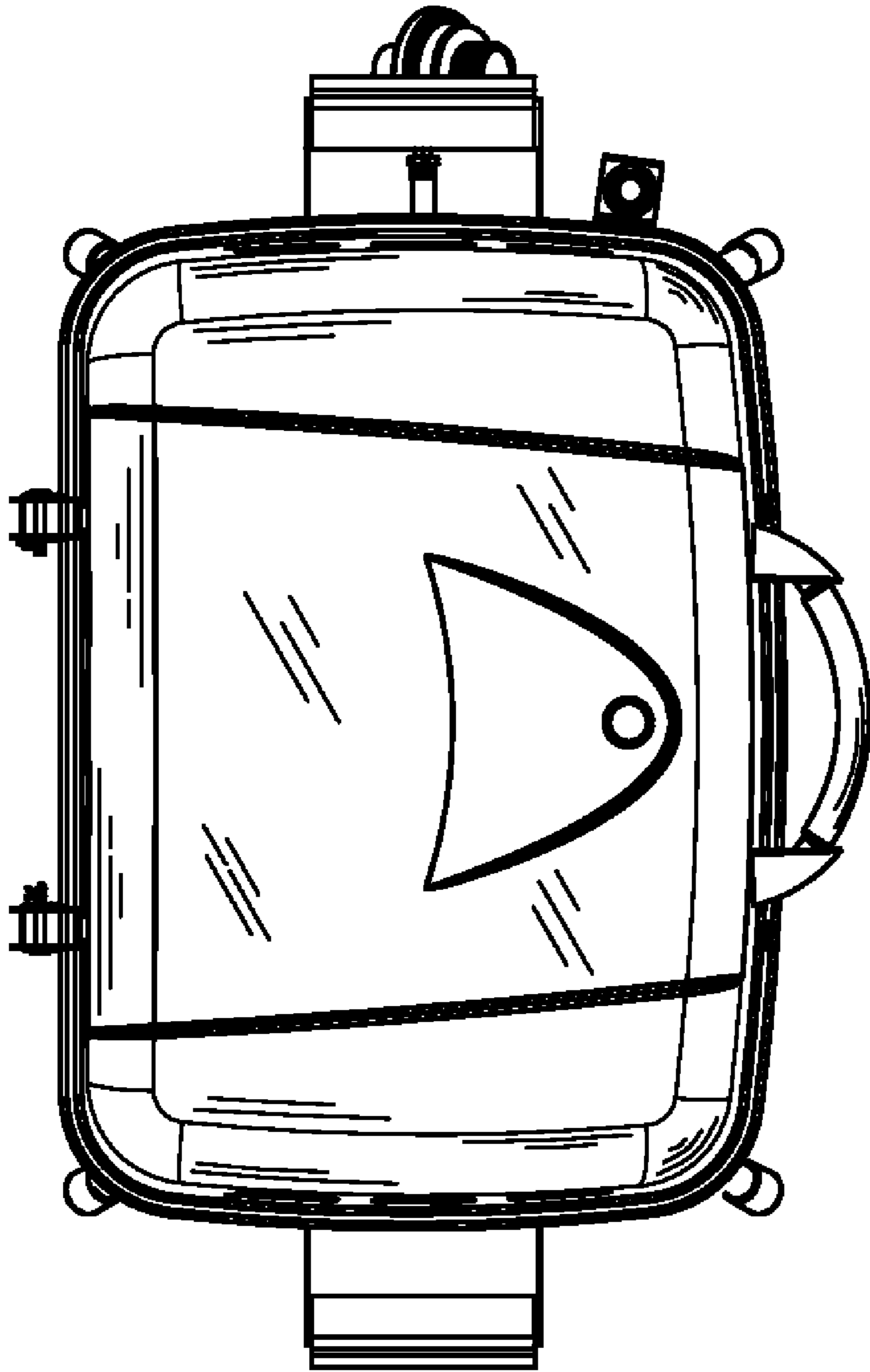


Fig. 6

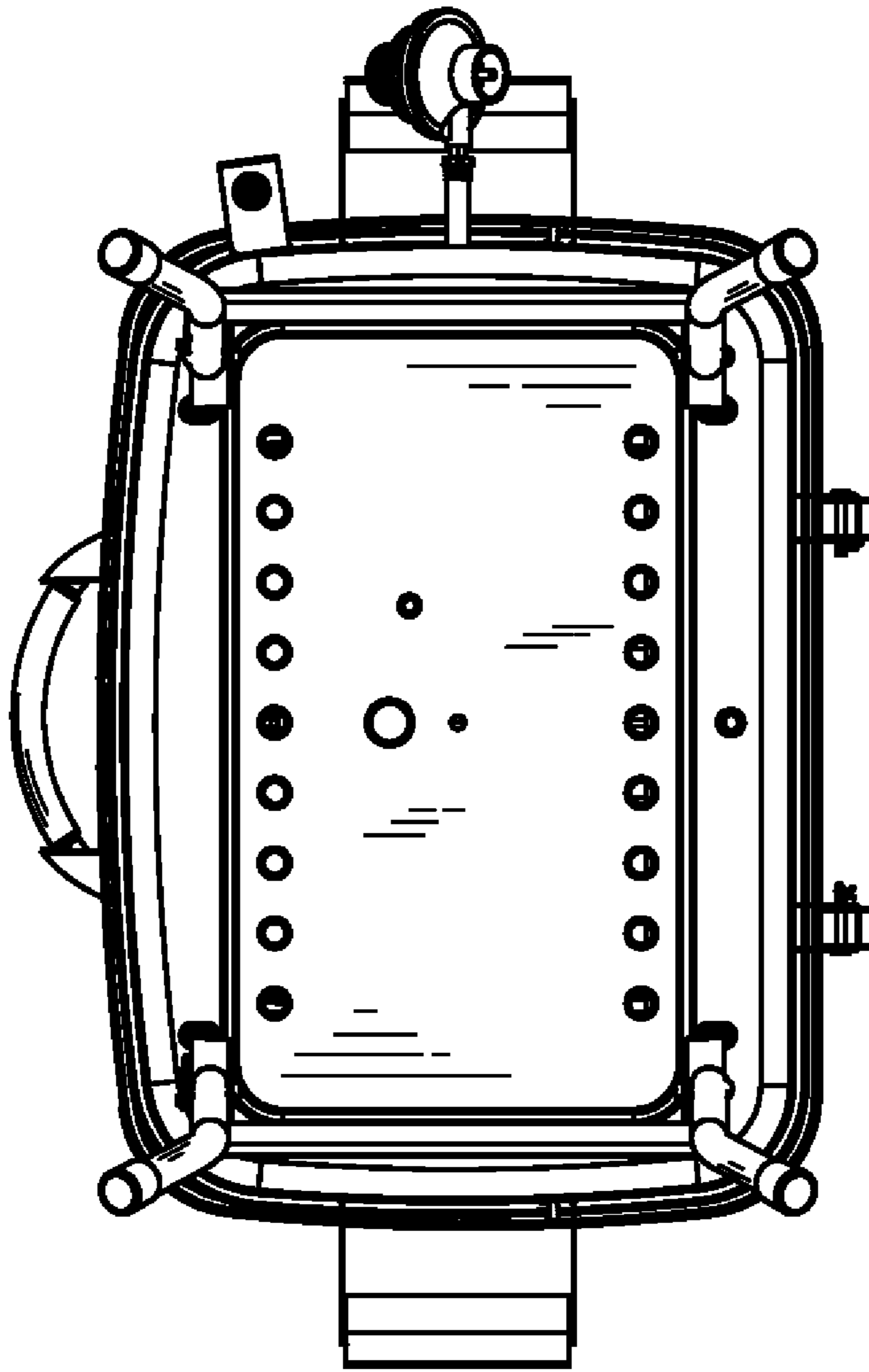


Fig. 7