



US00D549037S

(12) **United States Design Patent**  
**Chung**

(10) **Patent No.:** **US D549,037 S**

(45) **Date of Patent:** **\*\* Aug. 21, 2007**

(54) **BARBECUE GRILL**

(76) Inventor: **Kiosky Chung**, 8F-1, No. 497,  
Jhongming S. Rd., West District,  
Taichung City 403 (TW)

(\*\*) Term: **14 Years**

(21) Appl. No.: **29/247,298**

(22) Filed: **Jun. 9, 2006**

(51) **LOC (8) Cl.** ..... **07-02**

(52) **U.S. Cl.** ..... **D7/337**

(58) **Field of Classification Search** ..... D7/332-337,  
D7/402-405; 126/25 A, 25 AA, 9 R, 9 A,  
126/9 B, 38, 37 R, 41 R, 40, 50, 12, 276,  
126/8, 304 R; 99/481-482; 312/249.13,  
312/249.8, 351.2

See application file for complete search history.

(56) **References Cited**

**U.S. PATENT DOCUMENTS**

- D498,113 S \* 11/2004 Zhang ..... D7/332
- D498,114 S \* 11/2004 Zhang ..... D7/337
- D499,299 S \* 12/2004 Zhang ..... D7/337
- D511,266 S \* 11/2005 Pai ..... D7/337
- D511,433 S \* 11/2005 Zhang ..... D7/337

- D513,149 S \* 12/2005 Zhang ..... D7/337
- D514,872 S \* 2/2006 Chung ..... D7/337
- D515,863 S \* 2/2006 Chung ..... D7/337
- D525,819 S \* 8/2006 Chung ..... D7/337

\* cited by examiner

*Primary Examiner*—Ruth McInroy

(74) *Attorney, Agent, or Firm*—Alan Kamrath; Kamrath &  
Associates PA

(57) **CLAIM**

I claim the ornamental design for a barbecue grill, as shown and described.

**DESCRIPTION**

FIG. 1 is the perspective view of a barbecue grill showing my new design;

FIG. 2 is the front elevational view thereof;

FIG. 3 is the rear elevational view thereof;

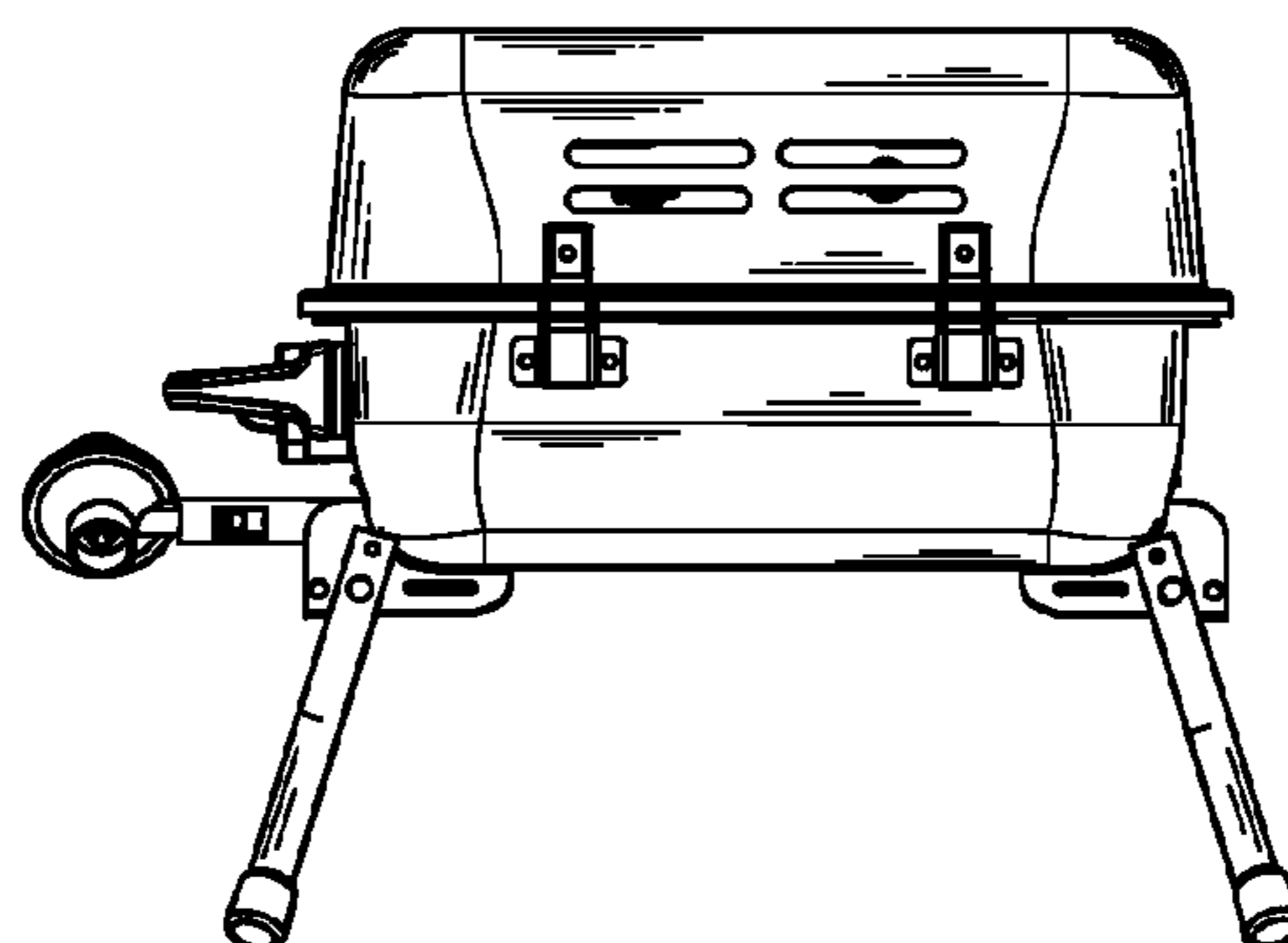
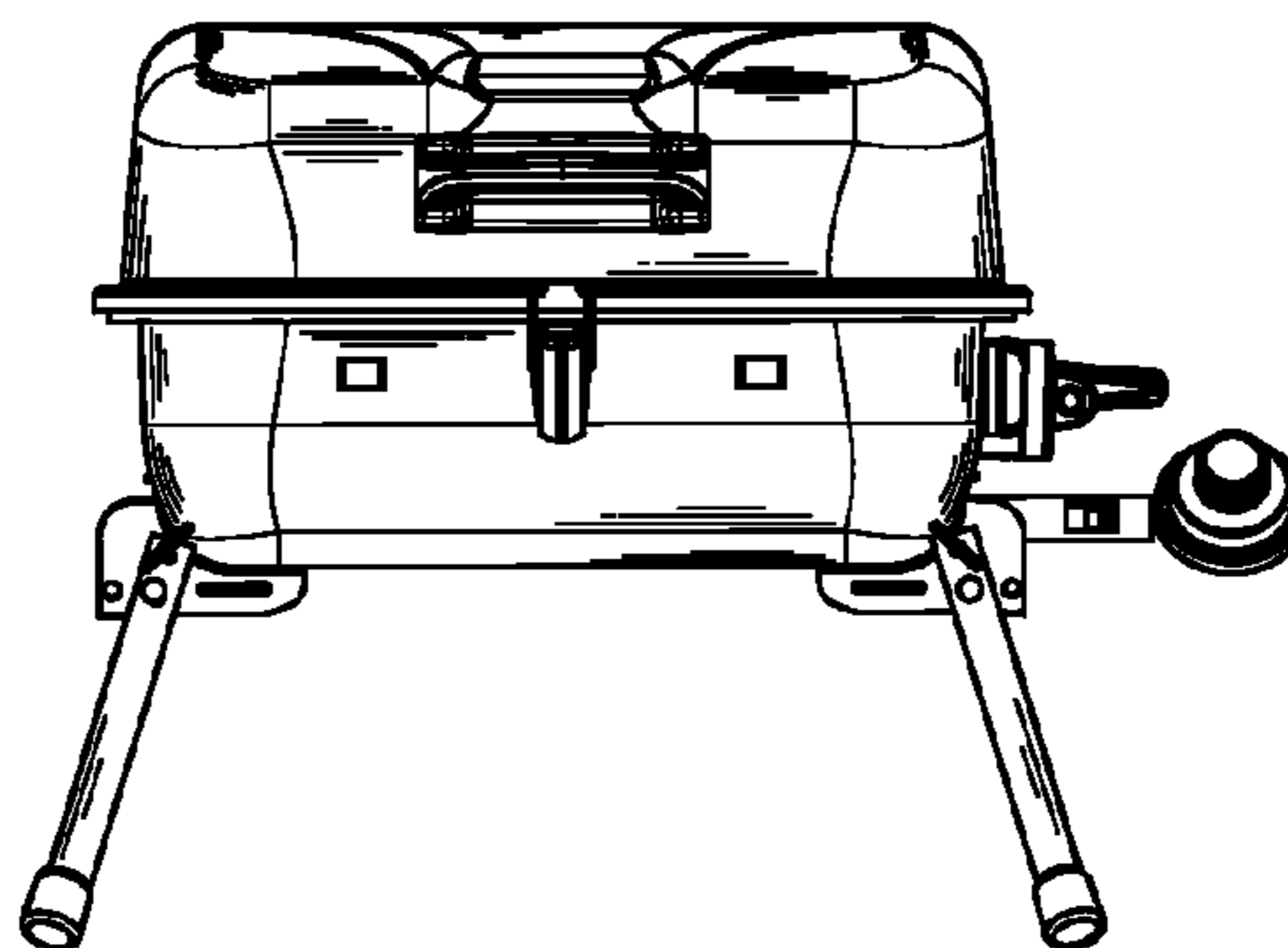
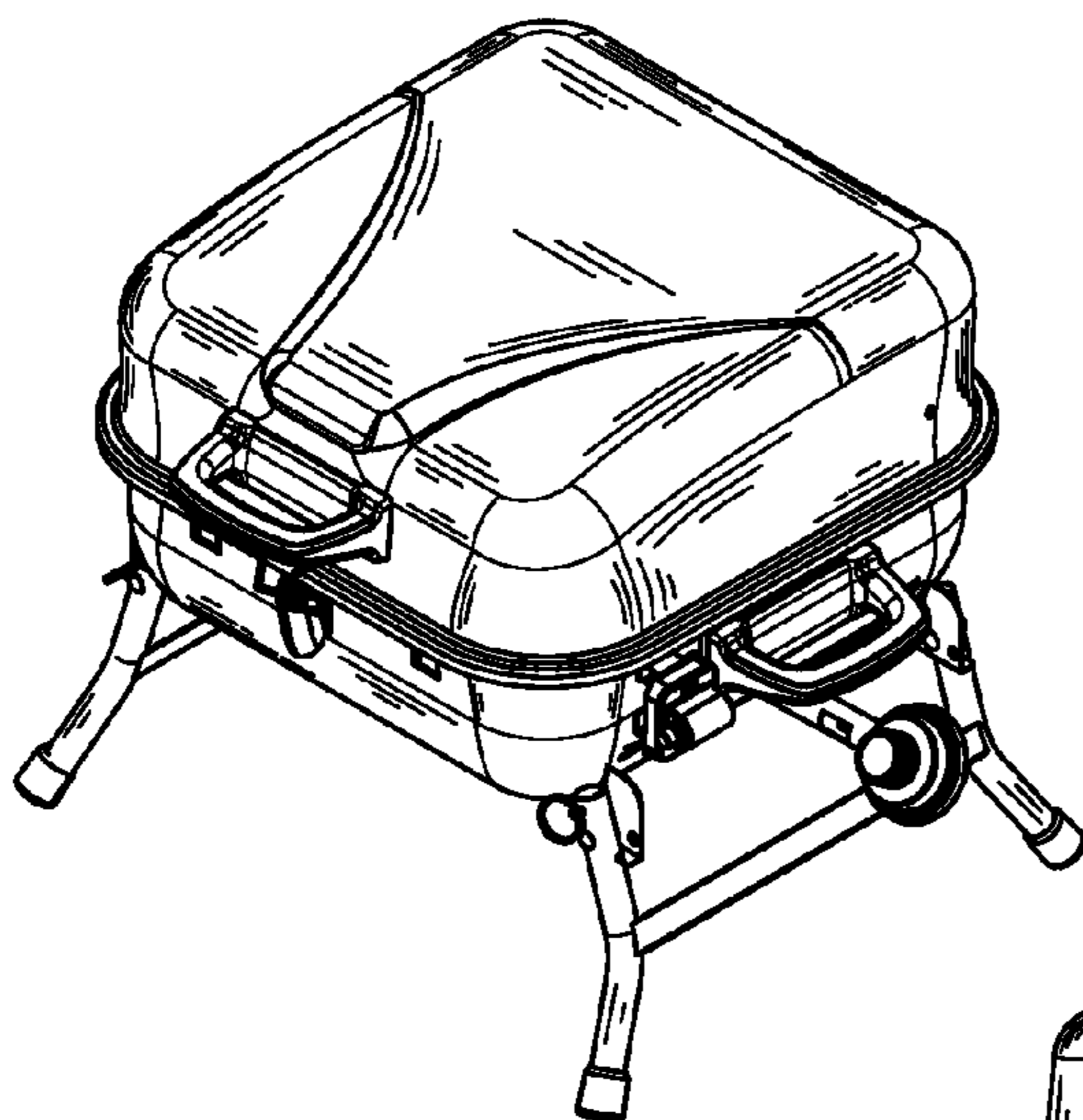
FIG. 4 is the left side elevational view thereof;

FIG. 5 is the right side elevational view thereof;

FIG. 6 is the top plan view thereof; and,

FIG. 7 is the bottom plan view thereof.

**1 Claim, 7 Drawing Sheets**



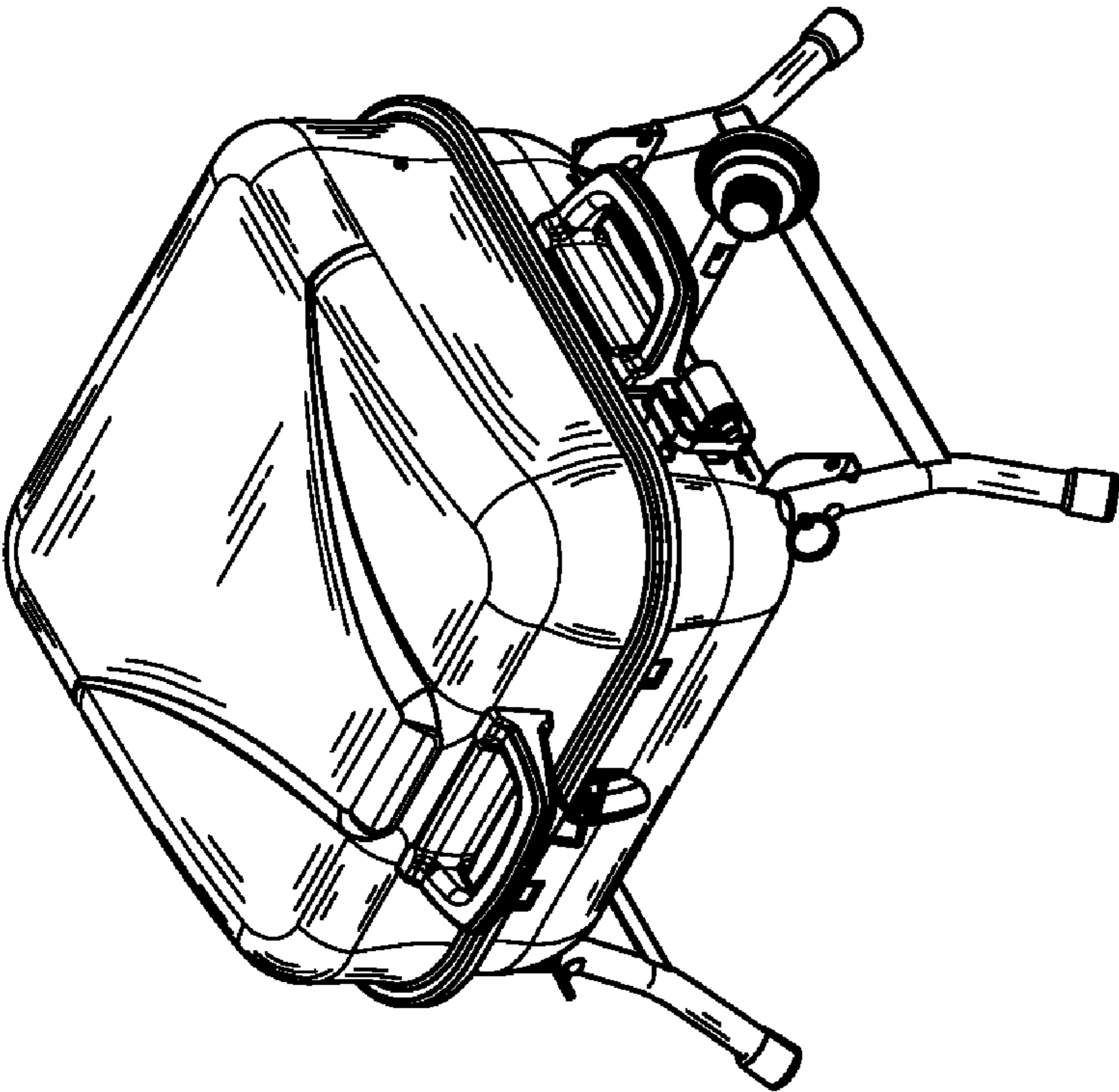


Fig. 1

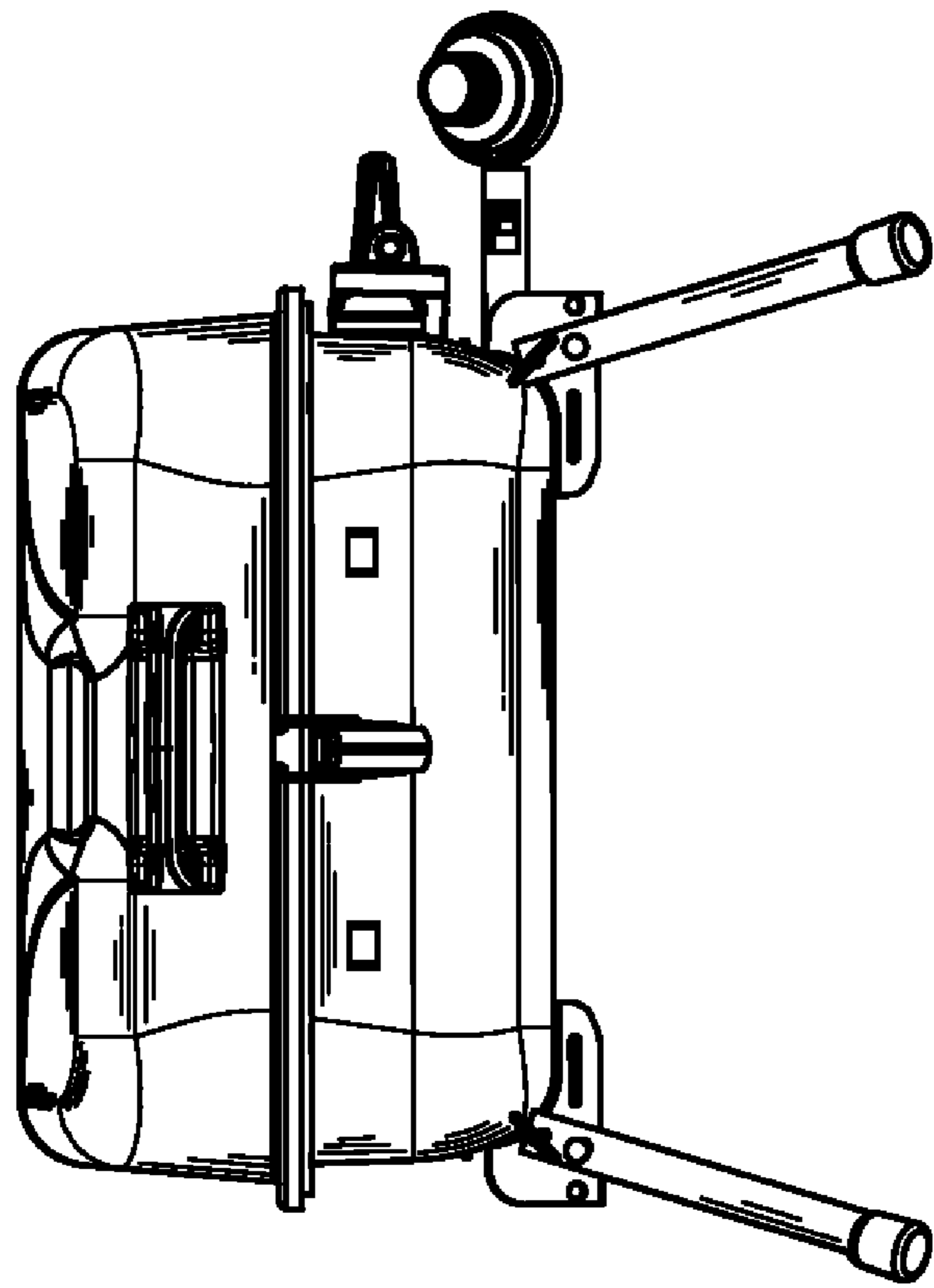


Fig. 2

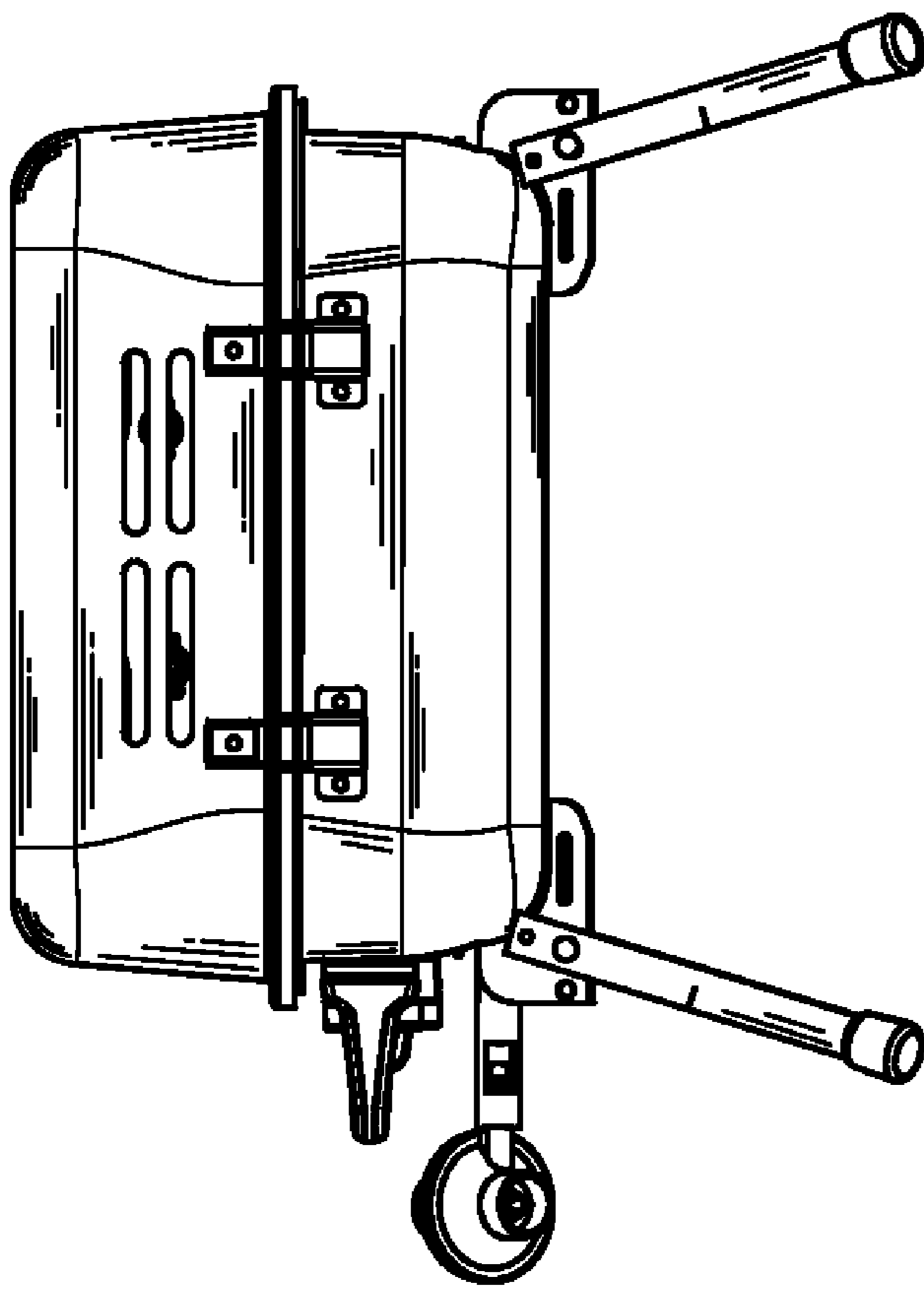


Fig. 3

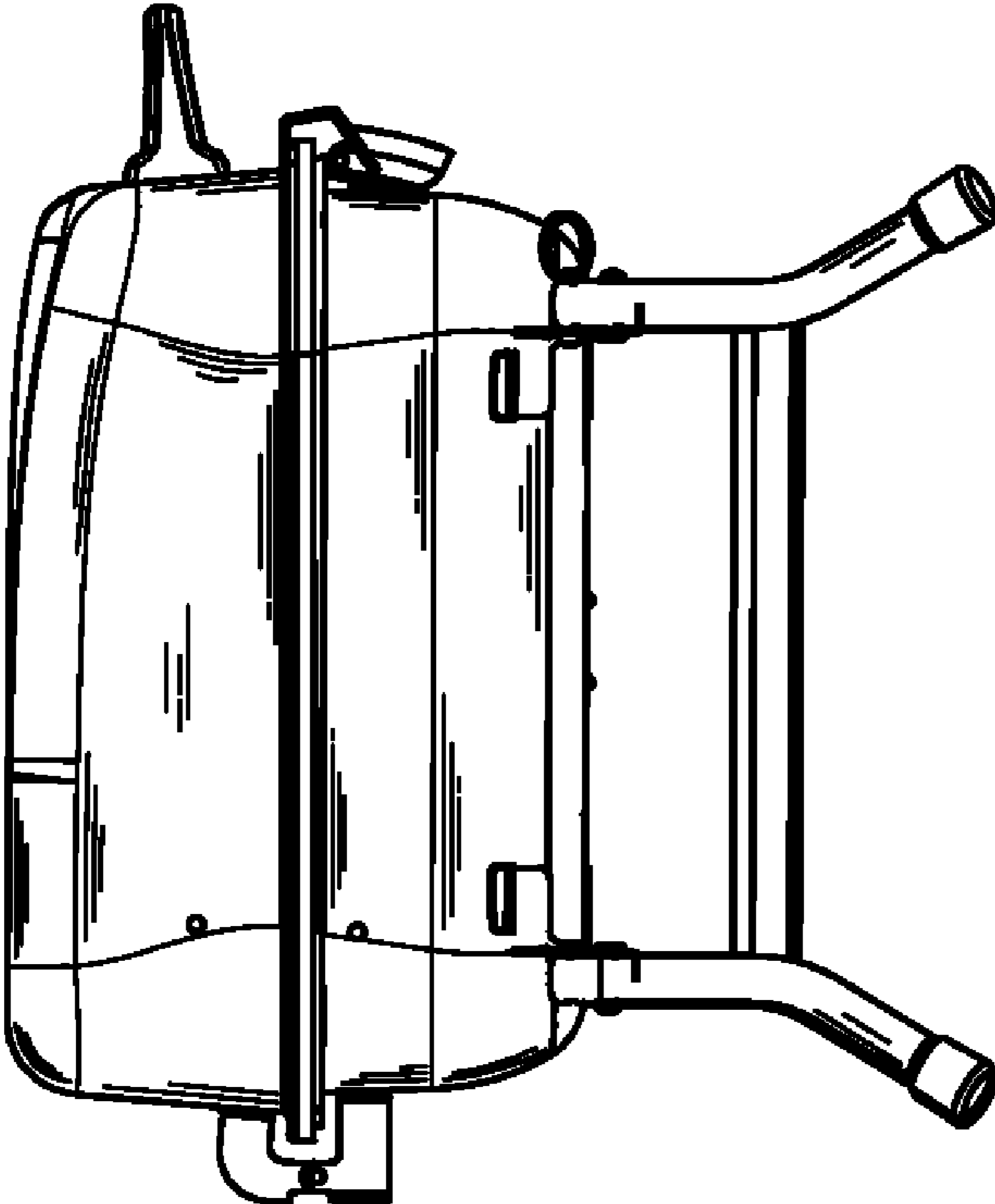


Fig. 4

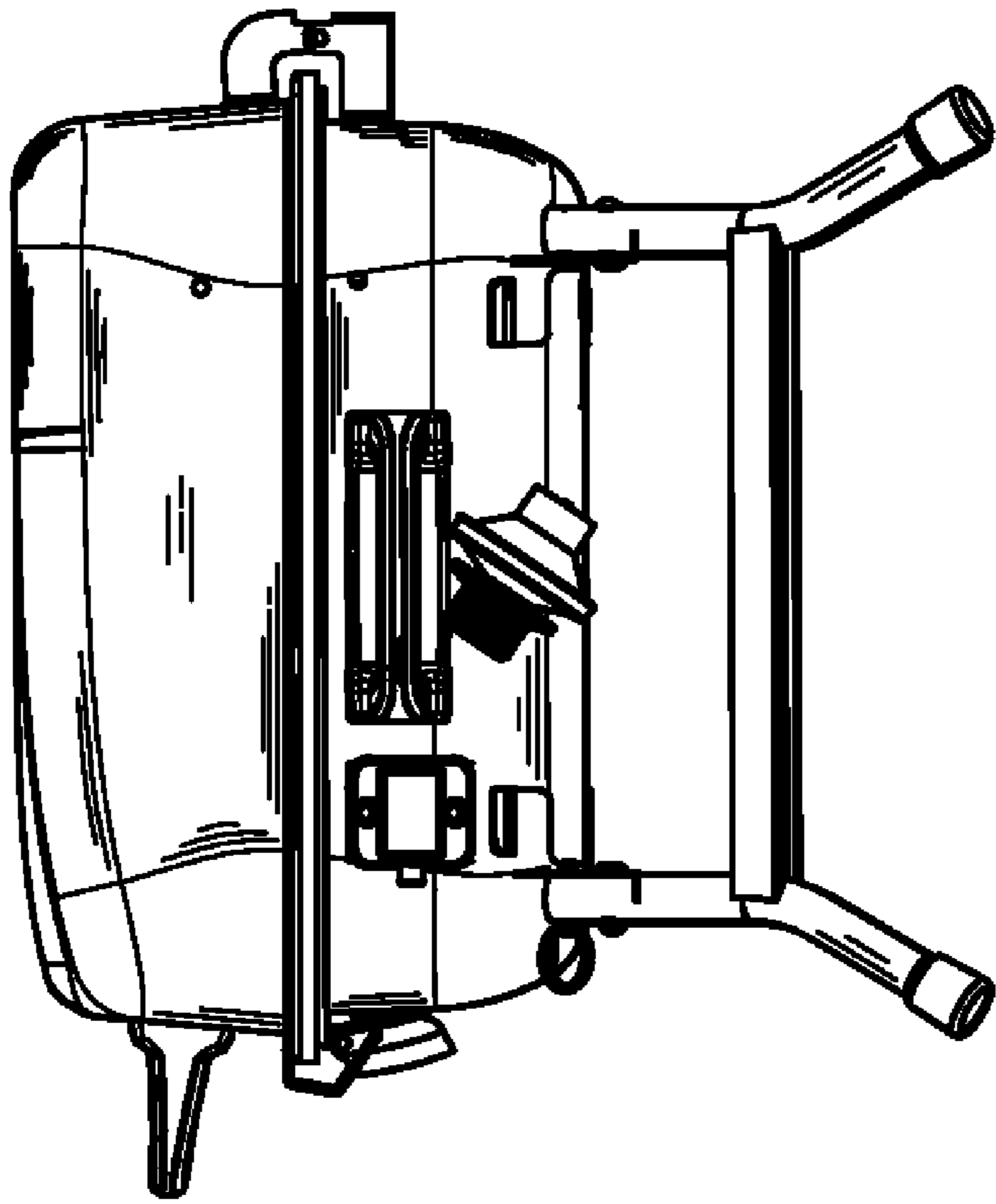


Fig. 5

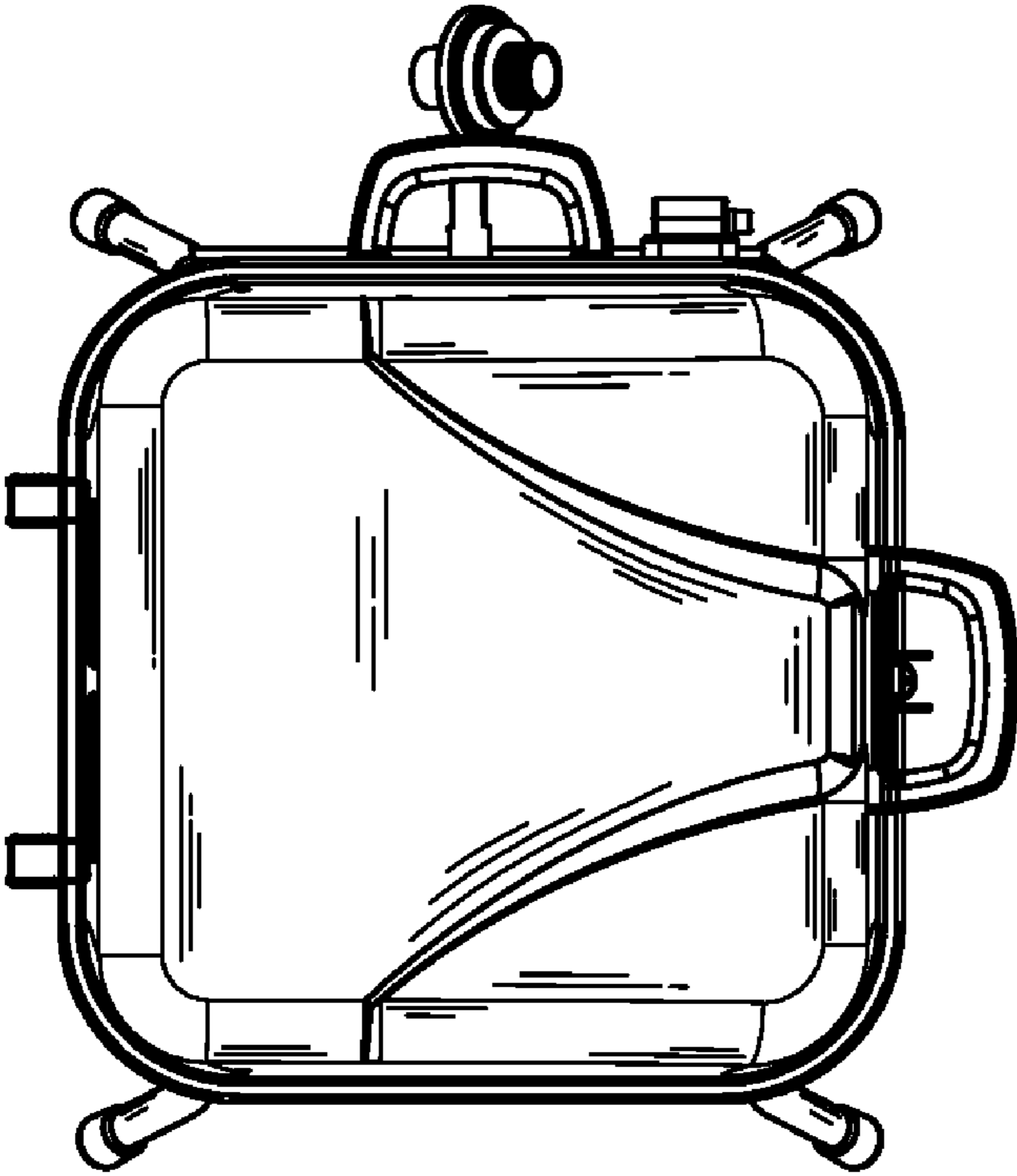


Fig. 6

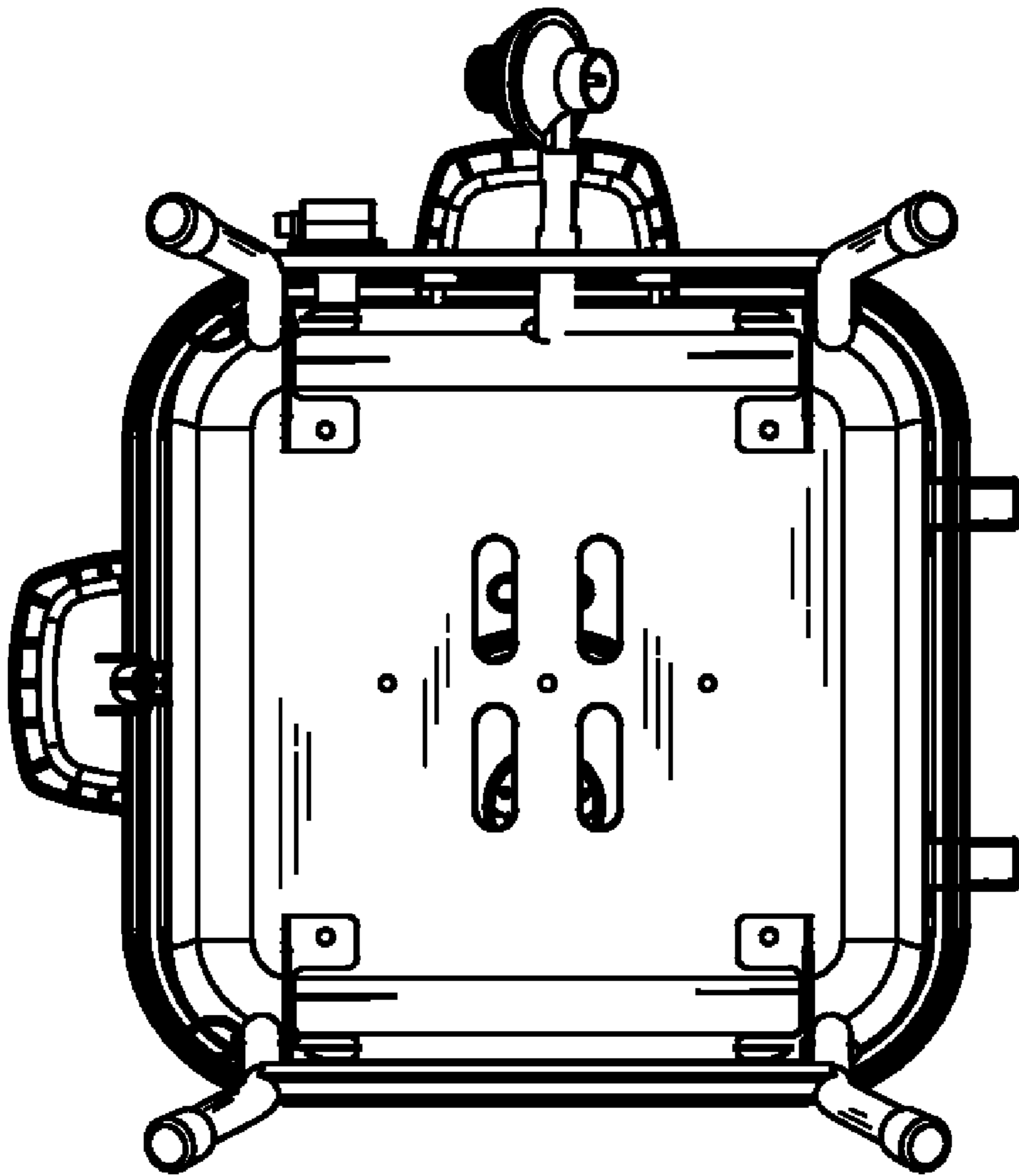


Fig. 7