



US00D549034S

(12) **United States Design Patent** (10) **Patent No.:** **US D549,034 S**
Garman et al. (45) **Date of Patent:** **** Aug. 21, 2007**

(54) **COMBINATION TOASTER AND OVEN**

(75) Inventors: **Michael Garman**, Stafford, VA (US);
Mark C. Steiner, Richmond, VA (US);
Martin Brady, Richmond, VA (US)

(73) Assignee: **Hamilton Beach/Proctor-Silex, Inc.**,
Glen Allen, VA (US)

(**) Term: **14 Years**

(21) Appl. No.: **29/223,722**

(22) Filed: **Feb. 17, 2005**

(51) **LOC (8) Cl.** **07-02**

(52) **U.S. Cl.** **D7/329**

(58) **Field of Classification Search** D7/323,
D7/328-333, 385, 390, 340, 341, 345-346,
D7/350.1-350.4, 365, 367, 402, 405-407,
D7/411; D10/40; D13/158, 162, 162.1,
D13/163; D21/325, 329, 369-371, 374,
D21/385, 525; 83/537; 99/327-331, 332,
99/339-341, 357, 375, 385, 389, 391-392,
99/400; 126/275 E; 219/214, 386-388,
219/392, 405, 408, 443.1, 450.1, 492, 756-758
See application file for complete search history.

(56) **References Cited**

U.S. PATENT DOCUMENTS

1,587,023	A	6/1926	Mottlau	
2,862,441	A	12/1958	Schmall	
D186,419	S *	10/1959	Keefe D7/329
2,920,551	A	1/1960	Schmall	
3,077,531	A	2/1963	Wompey	
3,152,243	A	10/1964	Andrews	
D223,066	S *	3/1972	Hanson D7/329
3,669,004	A	6/1972	Eaton, Jr. et al.	
3,732,803	A	5/1973	Buxmann	

3,760,713	A	9/1973	Sato	
3,800,691	A *	4/1974	Eaton et al. 99/391
D233,066	S	10/1974	Bair	
D237,242	S	10/1975	Claxton	
4,397,227	A	8/1983	Landry	
4,404,899	A	9/1983	Weiss	
4,455,479	A	6/1984	Itoh et al.	
D300,710	S *	4/1989	Williams D7/330
4,835,367	A	5/1989	Hoffman	
4,889,042	A *	12/1989	Hantz et al. 99/340
5,203,252	A *	4/1993	Hsieh 99/339
D336,814	S *	6/1993	Brookshire D7/350.4

(Continued)

Primary Examiner—Cathron C. Brooks

Assistant Examiner—Ricky Pham

(74) *Attorney, Agent, or Firm*—Akin Gump Strauss Hauer & Feld LLP

(57) **CLAIM**

The ornamental design for a combination toaster and oven, as shown and described.

DESCRIPTION

FIG. 1 is a top perspective view of a combination toaster and oven in accordance with our new design;

FIG. 2 is a front elevation view thereof;

FIG. 3 a top plan view thereof;

FIG. 4 is a left-side elevation view thereof;

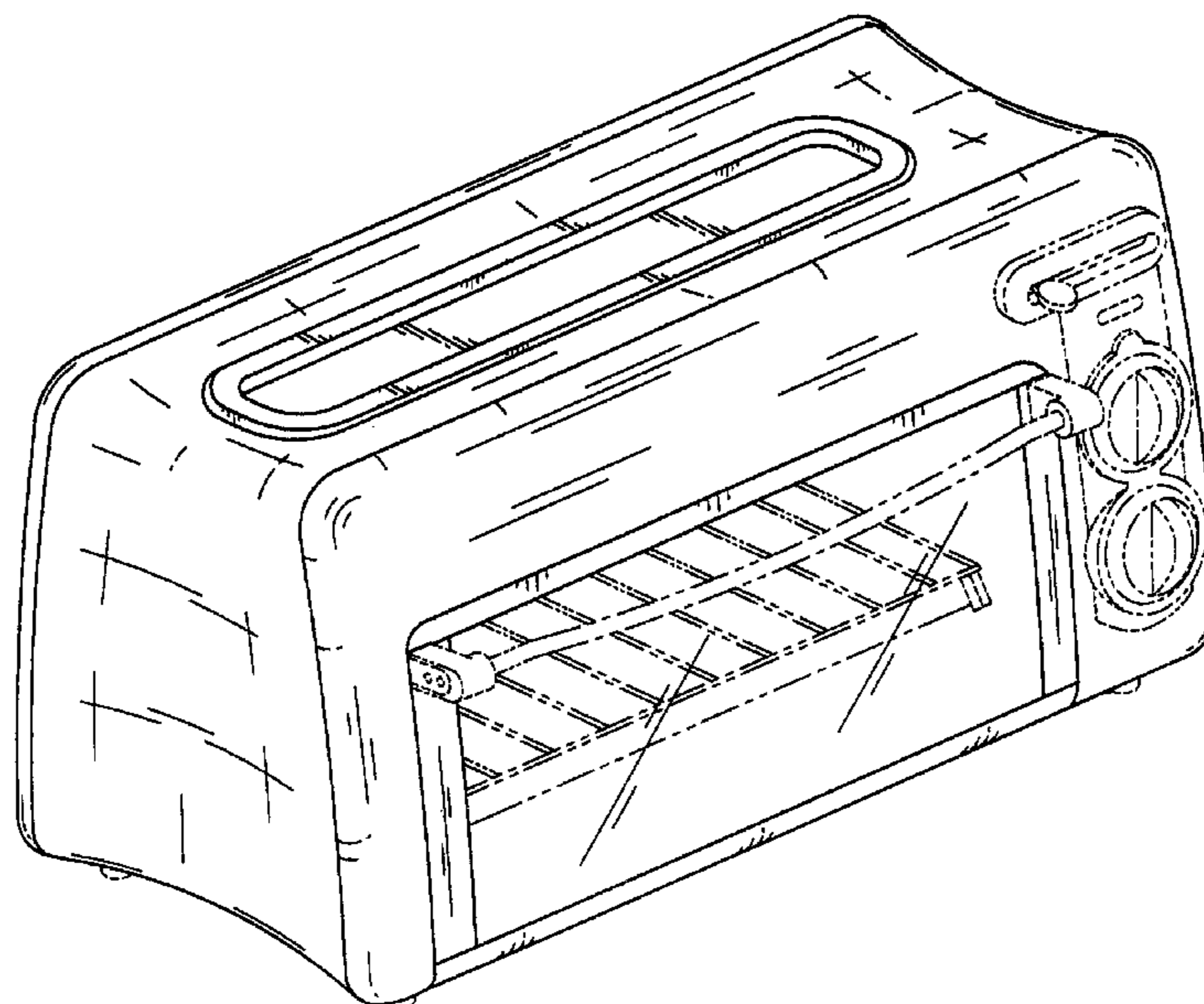
FIG. 5 is a right-side elevation view thereof;

FIG. 6 is a rear elevation view thereof; and,

FIG. 7 is a bottom plan view thereof.

The broken lines in the figures are for illustrative purposes only and form no part of the claimed design.

1 Claim, 7 Drawing Sheets



US D549,034 S

Page 2

U.S. PATENT DOCUMENTS

5,216,944	A	6/1993	Trujillo				
5,390,588	A	2/1995	Krasznai et al.				
D357,611	S *	4/1995	Osit	D7/328			
5,423,246	A	6/1995	McNair et al.				
5,471,914	A	12/1995	Krasznai et al.				
D380,338	S *	7/1997	Carbone et al.	D7/328			
D381,861	S *	8/1997	Rorke et al.	D7/350.4			
D386,938	S *	12/1997	Piret	D7/350.4			
5,694,831	A	12/1997	Haroun et al.				
D393,395	S *	4/1998	Tanaka et al.	D7/350.4			
5,746,115	A	5/1998	Yip				
5,960,702	A	10/1999	Thiriat et al.				
6,080,967	A *	6/2000	Sandor et al.	219/414			
D427,838	S	7/2000	Lee				
D442,817	S	5/2001	Demore				
D446,418	S *	8/2001	Cruz	D7/350.4			
D447,905	S *	9/2001	Smith-Berry et al.	D7/350.4			
D451,752	S *	12/2001	Davis et al.	D7/350.4			
D452,112	S *	12/2001	Dobson et al.	D7/390			
6,337,466	B1	1/2002	Chasen				
D453,281	S	2/2002	Plumtre et al.				
D465,690	S	11/2002	Ancona et al.				
6,530,309	B2	3/2003	Van Der Meer et al.				
D476,190	S *	6/2003	Chen	D7/347			
D476,846	S *	7/2003	Piret	D7/351			
D480,594	S *	10/2003	Ancona et al.	D7/329			
6,657,168	B1	12/2003	Lazzer				
6,717,110	B2	4/2004	Van der Meer et al.				
6,799,505	B2	10/2004	Mauffrey				
6,829,983	B2	12/2004	Arnedo et al.				
D501,356	S *	2/2005	Averty	D7/350.4			
7,105,778	B1 *	9/2006	DeLong et al.	219/386			
2003/0116030	A1	6/2003	Wang				
2004/0107955	A1	6/2004	Schnell et al.				
2004/0144380	A1	7/2004	Gutzke et al.				
2005/0006375	A1	1/2005	Naranjo et al.				

* cited by examiner

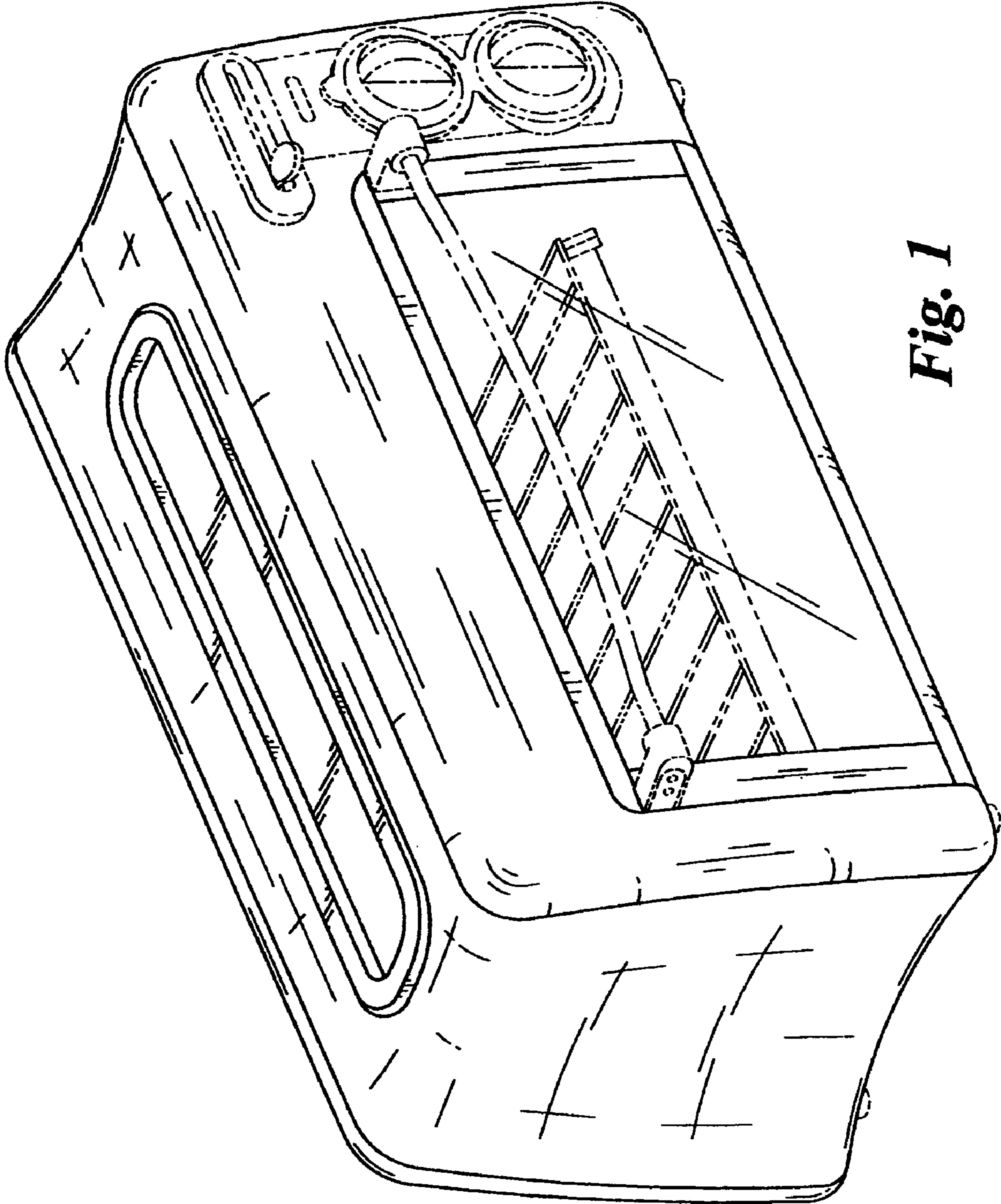


Fig. 1

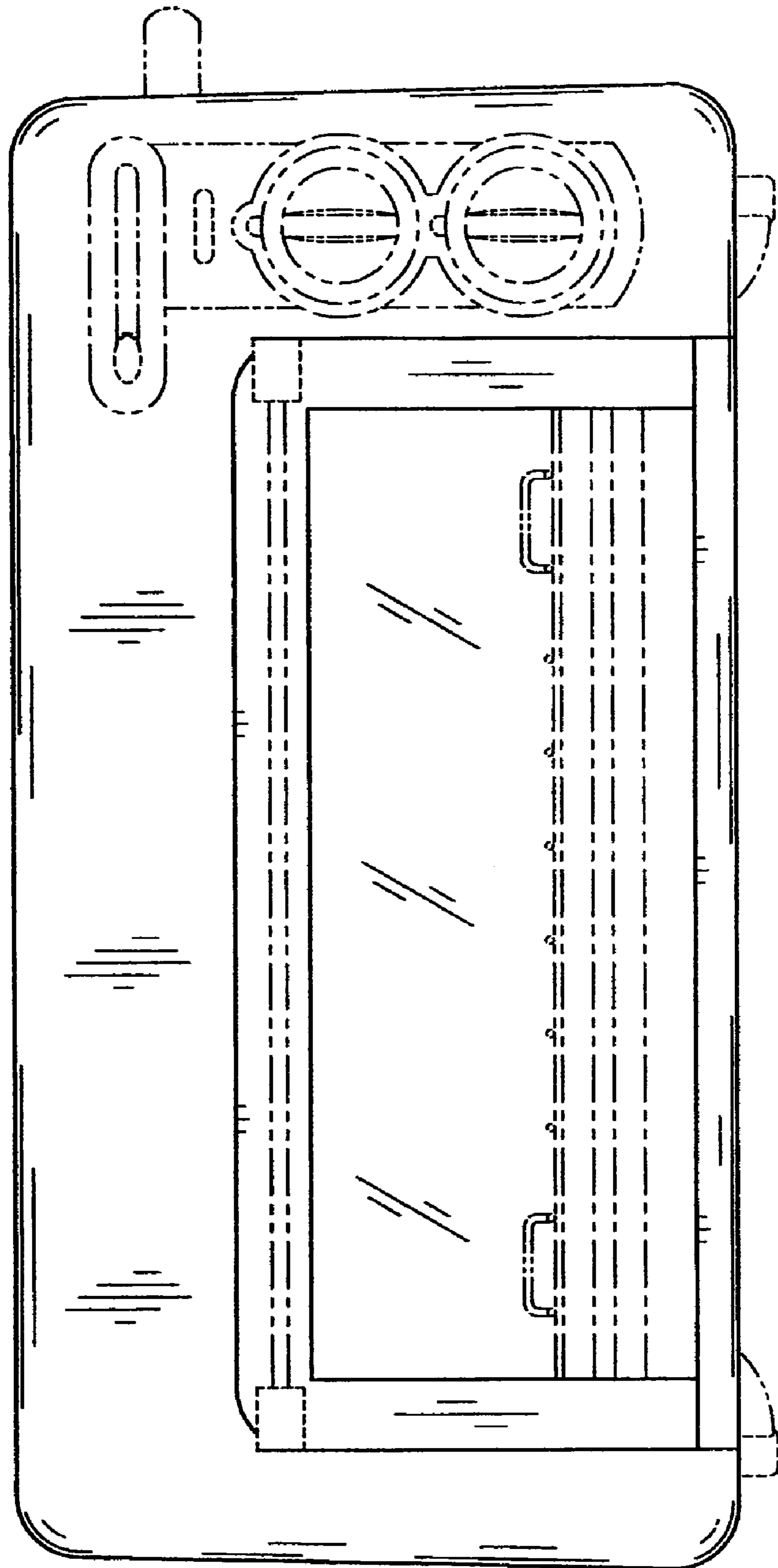


Fig. 2

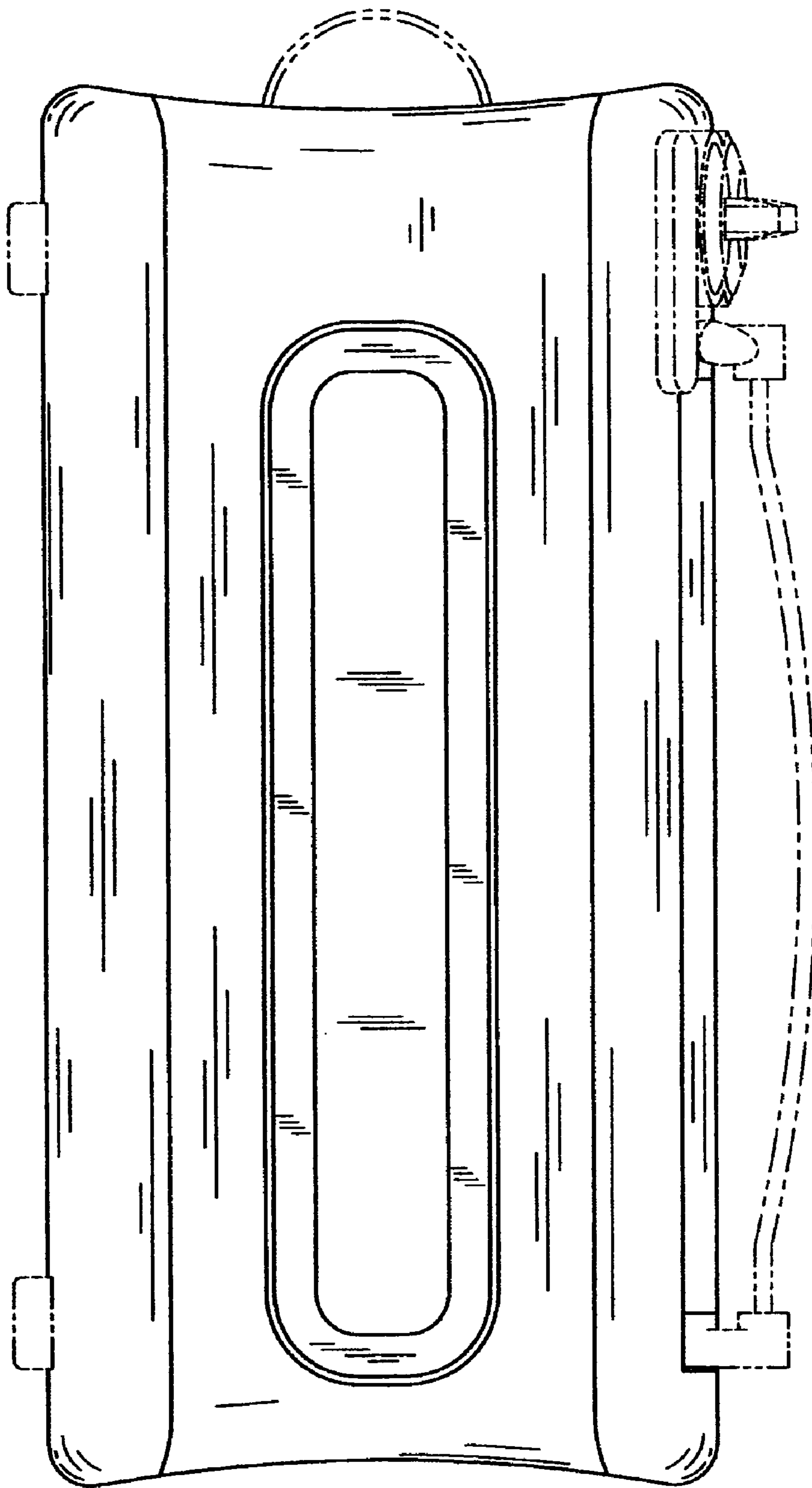


Fig. 3

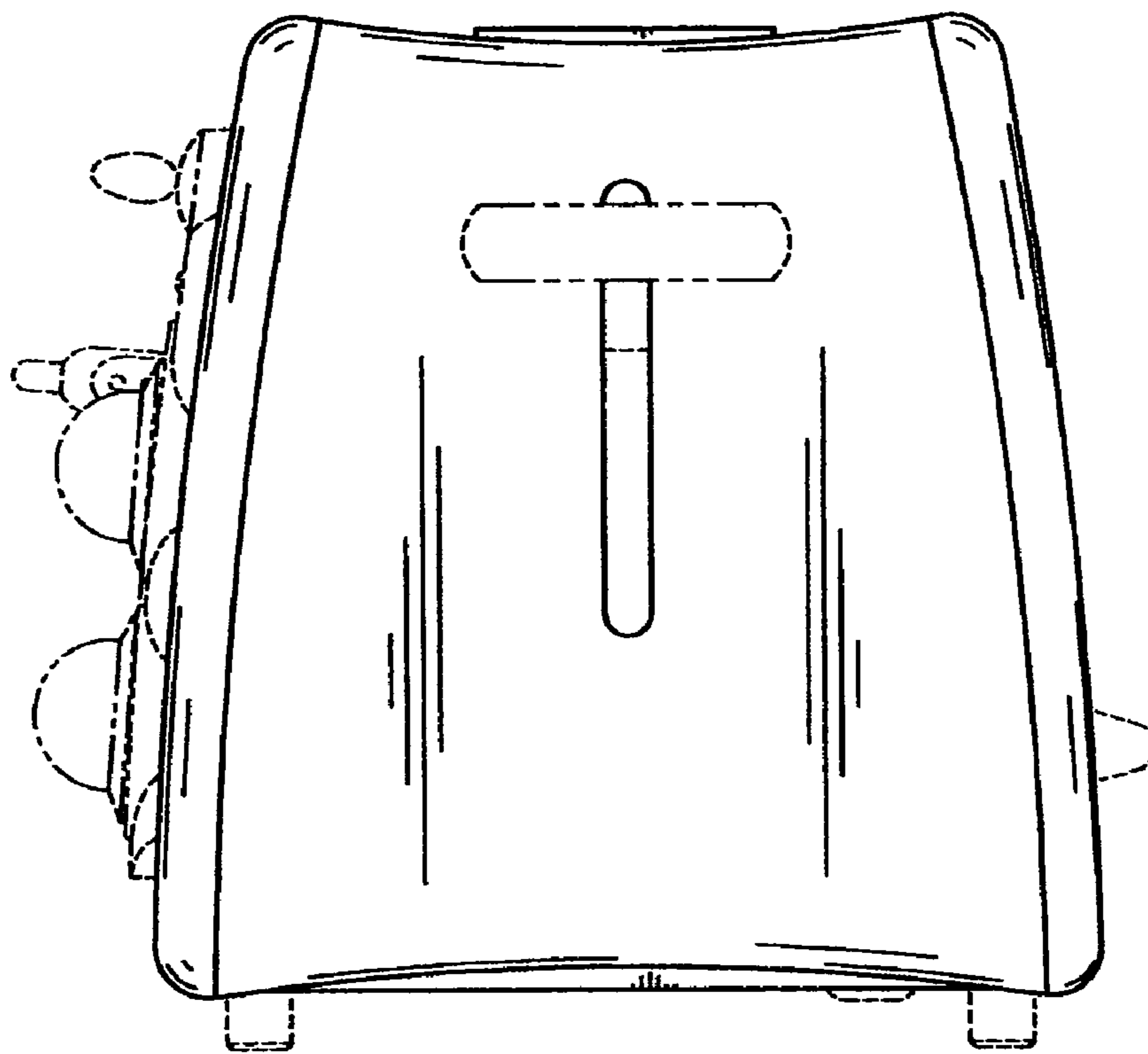


Fig. 4

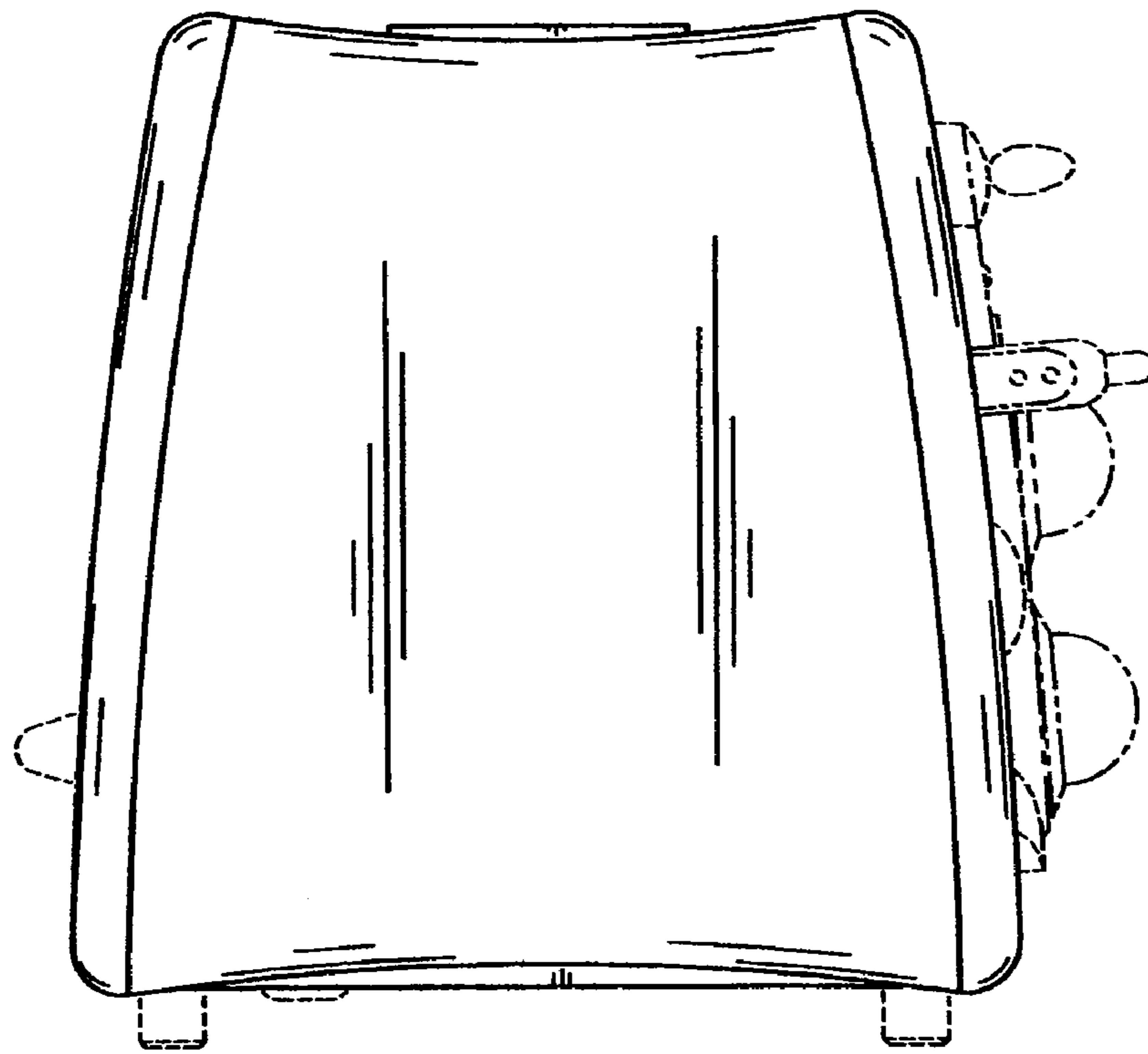


Fig. 5

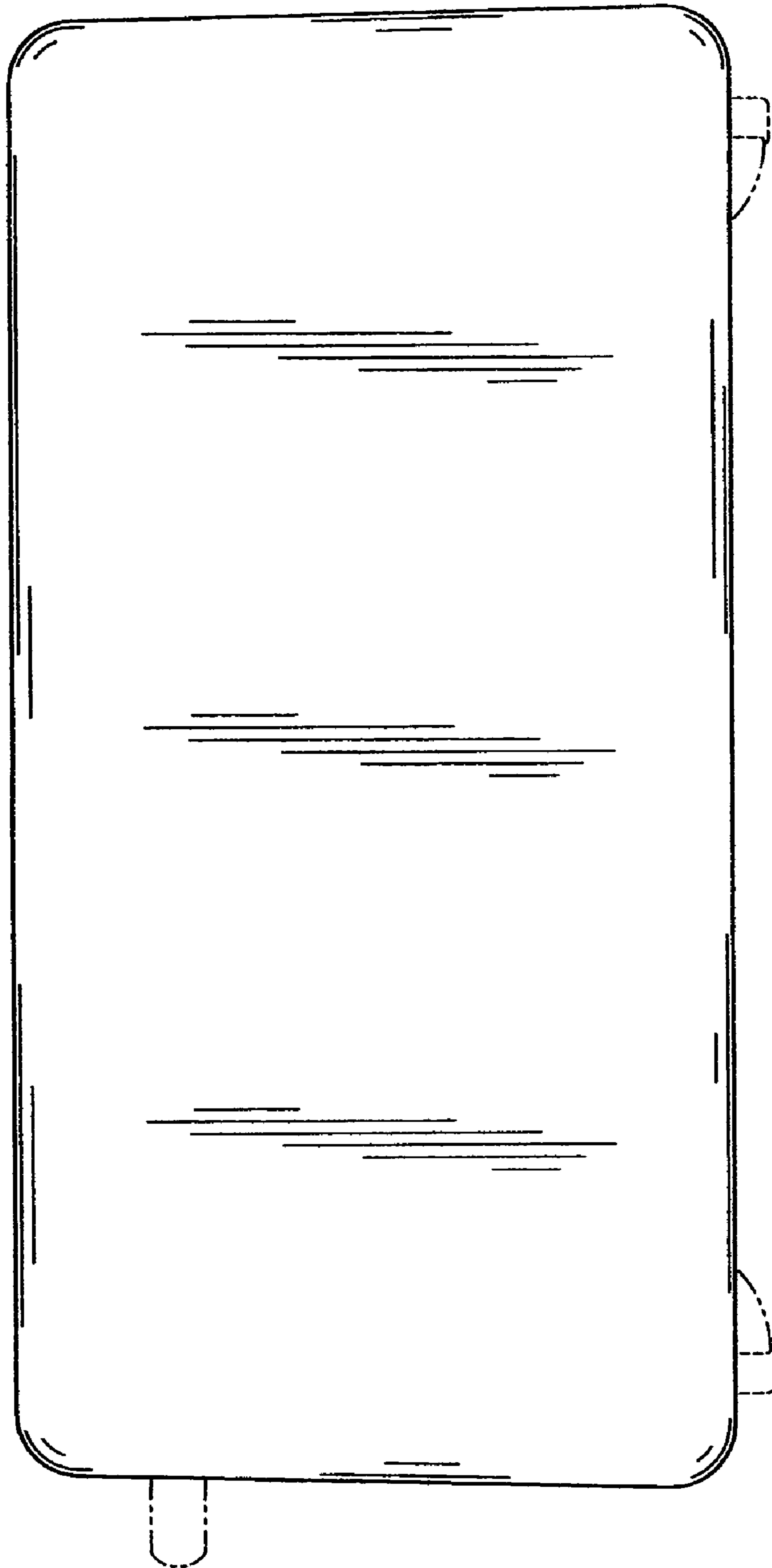


Fig. 6

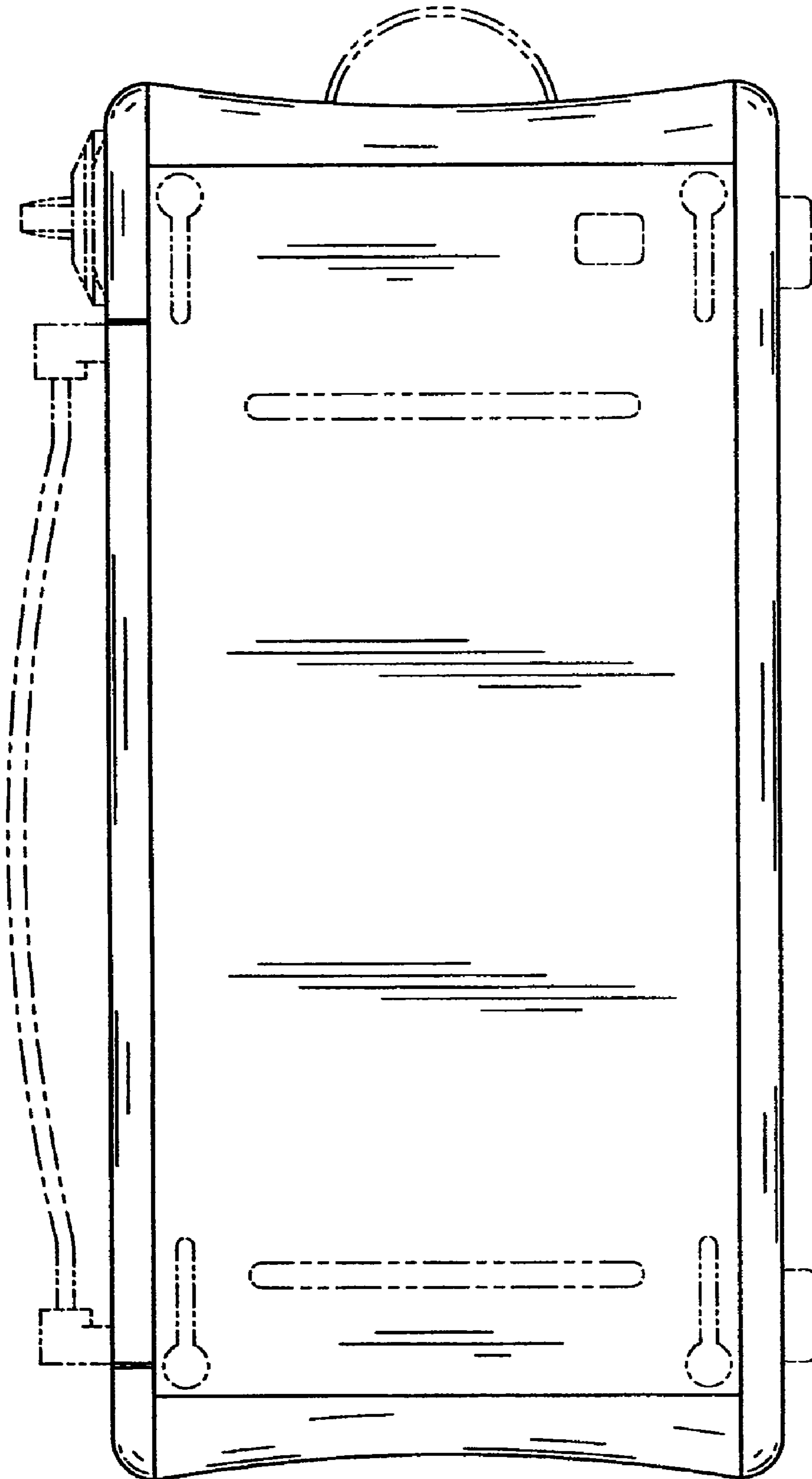


Fig. 7