



US00D549033S

(12) **United States Design Patent**
Colman et al.

(10) **Patent No.: US D549,033 S**

(45) **Date of Patent: ** Aug. 21, 2007**

(54) **BREWING DEVICE**

(57) **CLAIM**

(75) Inventors: **Arne Ben Colman**, Newark Notts (GB); **Benjamin Beck**, Boston, MA (US); **Baron Carl Brandt**, Portland, OR (US); **David Andrew Dalton**, Loveland, OH (US)

The ornamental design for a brewing device, as shown and described.

(73) Assignee: **The Procter & Gamble Company**, Cincinnati, OH (US)

DESCRIPTION

(**) Term: **14 Years**

FIG. 1 is a perspective view of a brewing device showing our new design;

(21) Appl. No.: **29/236,122**

FIG. 2 is a left side view thereof;

(22) Filed: **Aug. 11, 2005**

FIG. 3 is a right side view thereof;

(51) **LOC (8) Cl.** **07-01**

FIG. 4 is a front view thereof;

(52) **U.S. Cl.** **D7/309; D7/311; D7/306**

FIG. 5 is a back view thereof;

(58) **Field of Classification Search** **D7/305, D7/306-308, 309-311, 300, 301; 222/144, 222/129.1, 129.2, 129.3, 129.4; 99/287, 99/323.3, 280, 279, 289 R, 275**

FIG. 6 is a top plan view thereof; and,

See application file for complete search history.

FIG. 7 is a bottom plan view thereof.

FIG. 8 is a perspective view of a cover of the brewing device of FIG. 1;

(56) **References Cited**

U.S. PATENT DOCUMENTS

D372,831 S *	8/1996	Credle, Jr.	D7/301
D376,950 S *	12/1996	Saltet	D7/309
D450,214 S *	11/2001	Woebcke et al.	D7/306
D491,763 S *	6/2004	Picozza et al.	D7/309
6,792,847 B2 *	9/2004	Tobin et al.	99/275
D513,917 S *	1/2006	Edrington	D7/309
D514,866 S *	2/2006	Brady	D7/309
D530,139 S *	10/2006	Lin	D7/309

FIG. 9 is a right side view of FIG. 8;

FIG. 10 is a left side view of FIG. 8;

FIG. 11 is a front view of FIG. 8;

FIG. 12 is a back view of FIG. 8;

FIG. 13 is a top view of FIG. 8;

FIG. 14 is a bottom view of FIG. 8;

FIG. 15 is a perspective view of an outer shell of the brewing device of FIG. 1;

FIG. 16 is a right side view of FIG. 15;

FIG. 17 is a left side view of FIG. 15;

FIG. 18 is a front view of FIG. 15;

FIG. 19 is a back view of FIG. 15;

FIG. 20 is a top view of FIG. 15;

FIG. 21 is a bottom view of FIG. 15;

FIG. 22 is a perspective view of a front shell of the brewing device of FIG. 1;

* cited by examiner

Primary Examiner—M. N. Pandozzi

(74) *Attorney, Agent, or Firm*—Ingrid N. Hackett; Kim W. Zerby

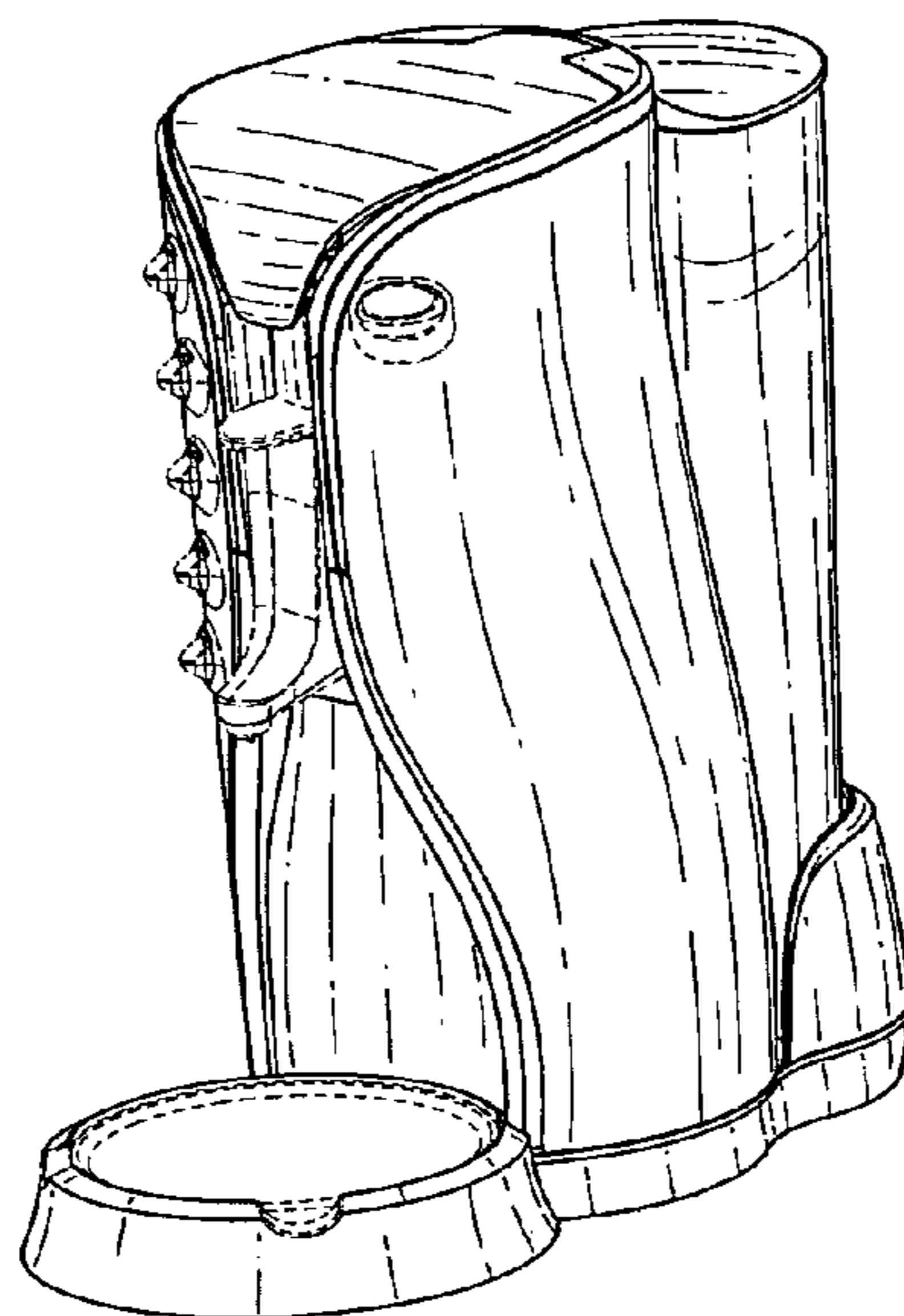


FIG. 23 is a right side view of FIG. 22;
FIG. 24 is left side view of FIG. 22;
FIG. 25 is a front view of FIG. 22;
FIG. 26 is a back view of FIG. 22;
FIG. 27 is a top view of FIG. 22;
FIG. 28 is a bottom view of FIG. 22;
FIG. 29 is a perspective view of a reservoir of the brewing device of FIG. 1;
FIG. 30 is a right side view of FIG. 29;

FIG. 31 is a left side view of FIG. 29;
FIG. 32 is a front view of FIG. 29;
FIG. 33 is a back view of FIG. 29;
FIG. 34 is a top view of FIG. 29; and,
FIG. 35 is a bottom view of FIG. 29.

The broken lines shown in the drawings are for illustrative purposes only and form no part of the claimed design.

1 Claim, 20 Drawing Sheets

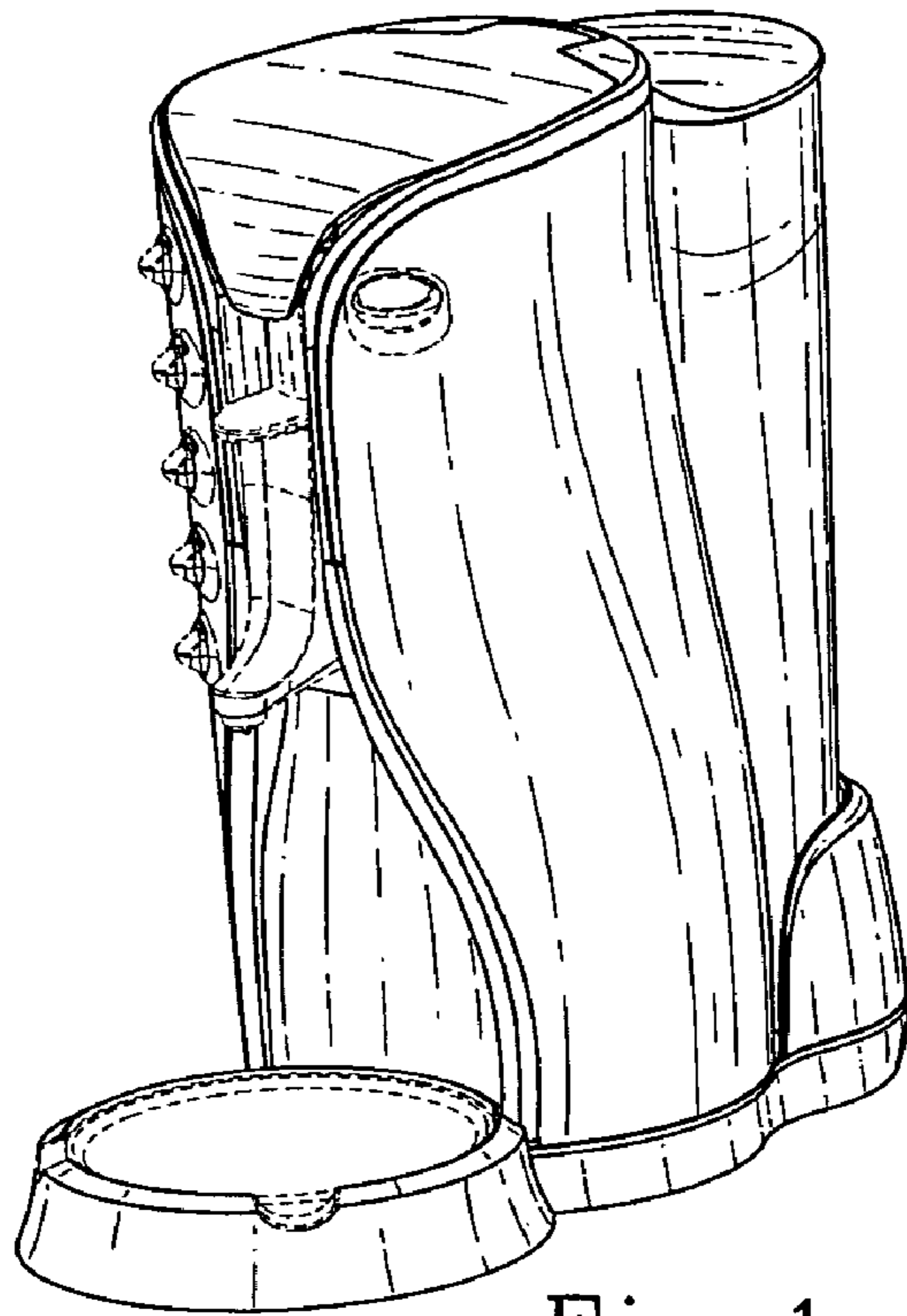


Fig. 1

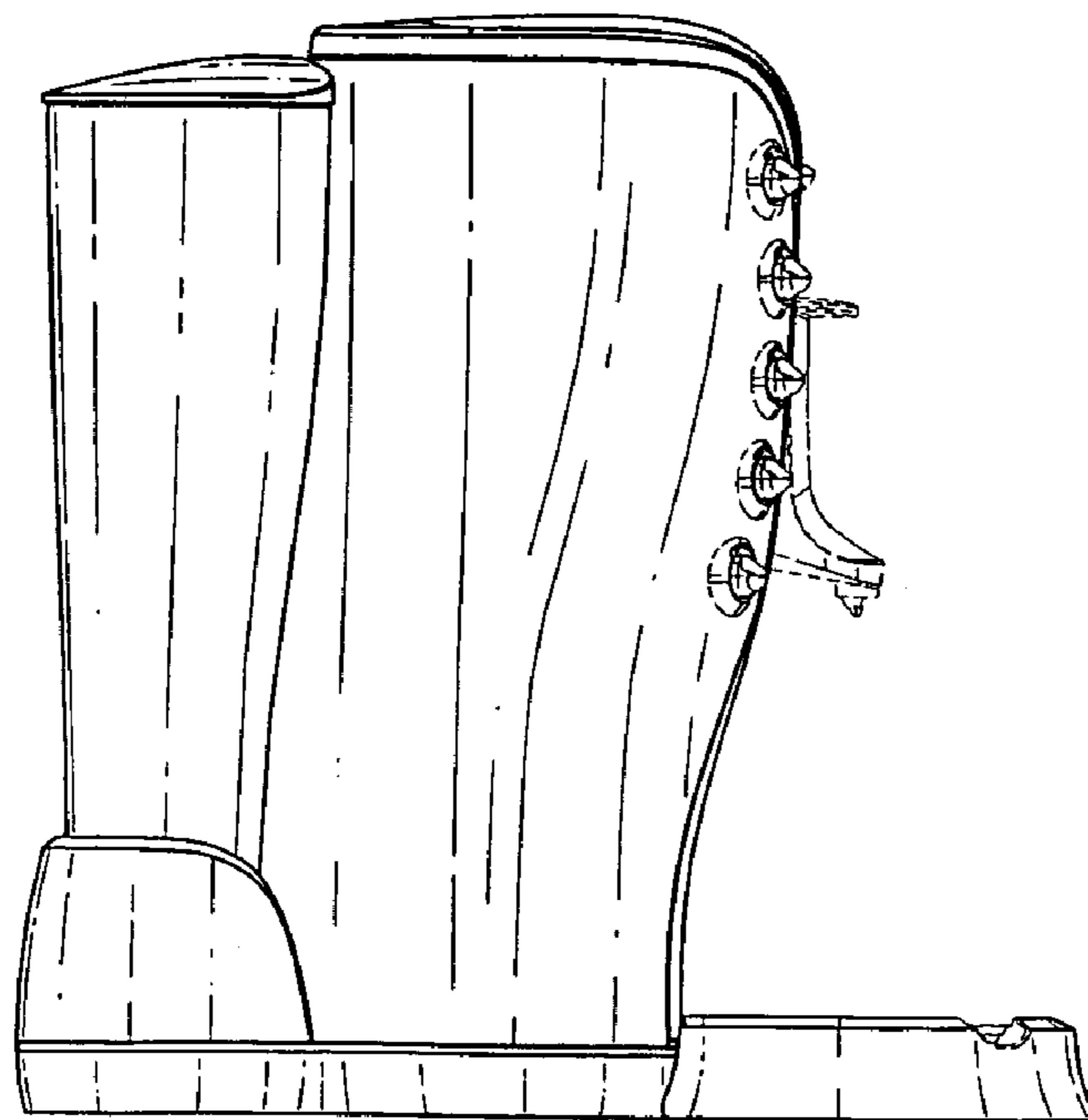


Fig. 2

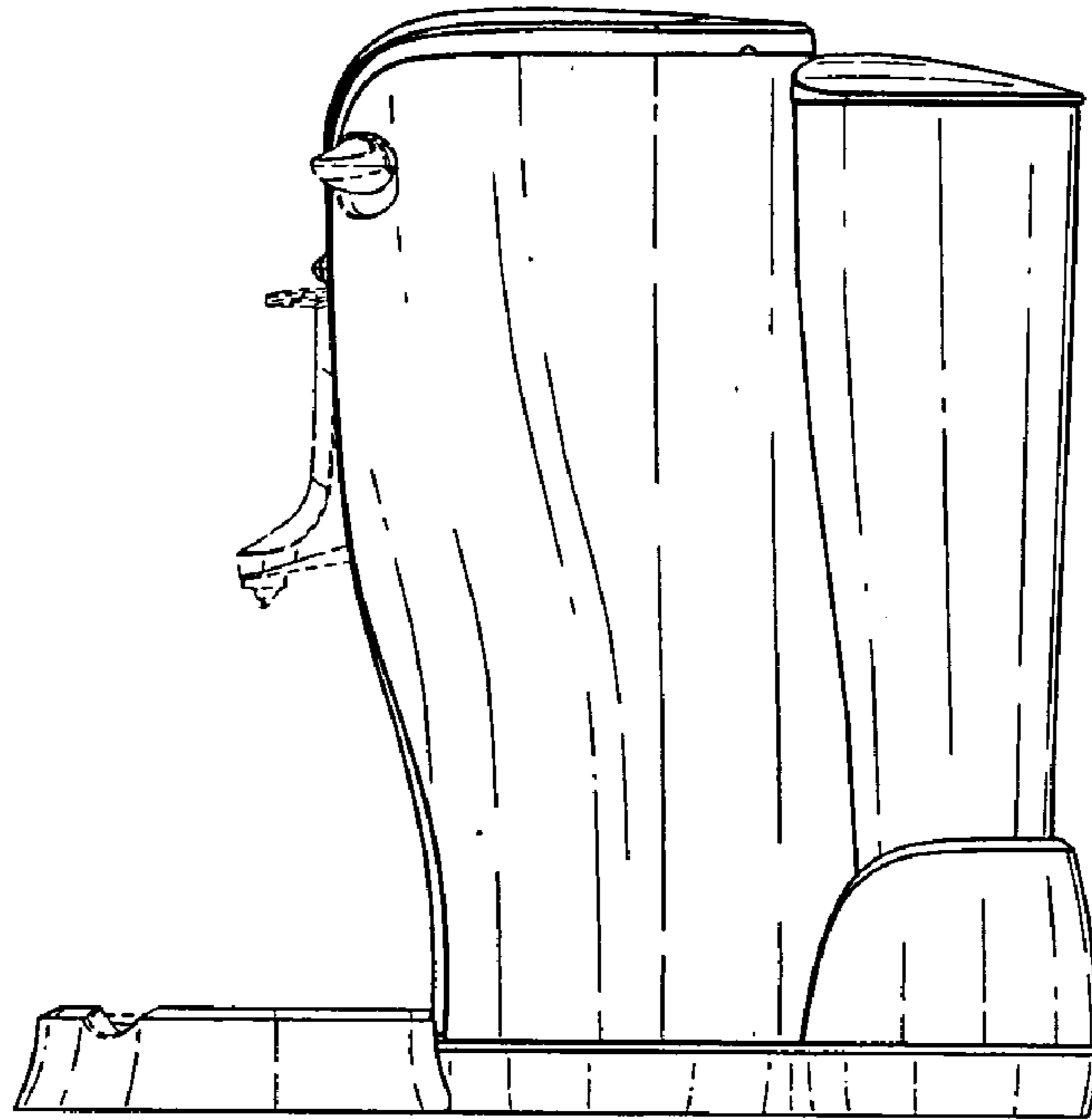


Fig. 3

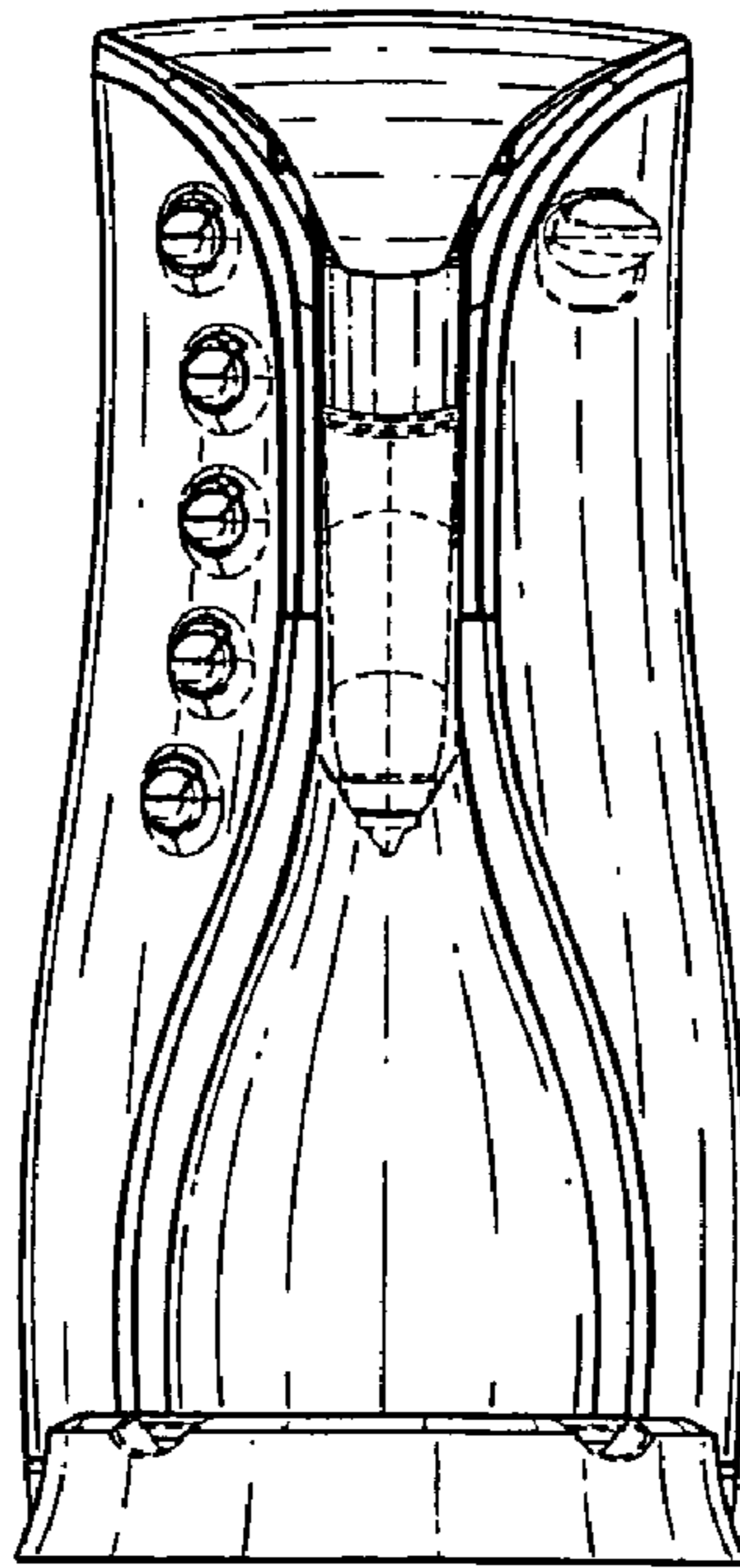


Fig. 4

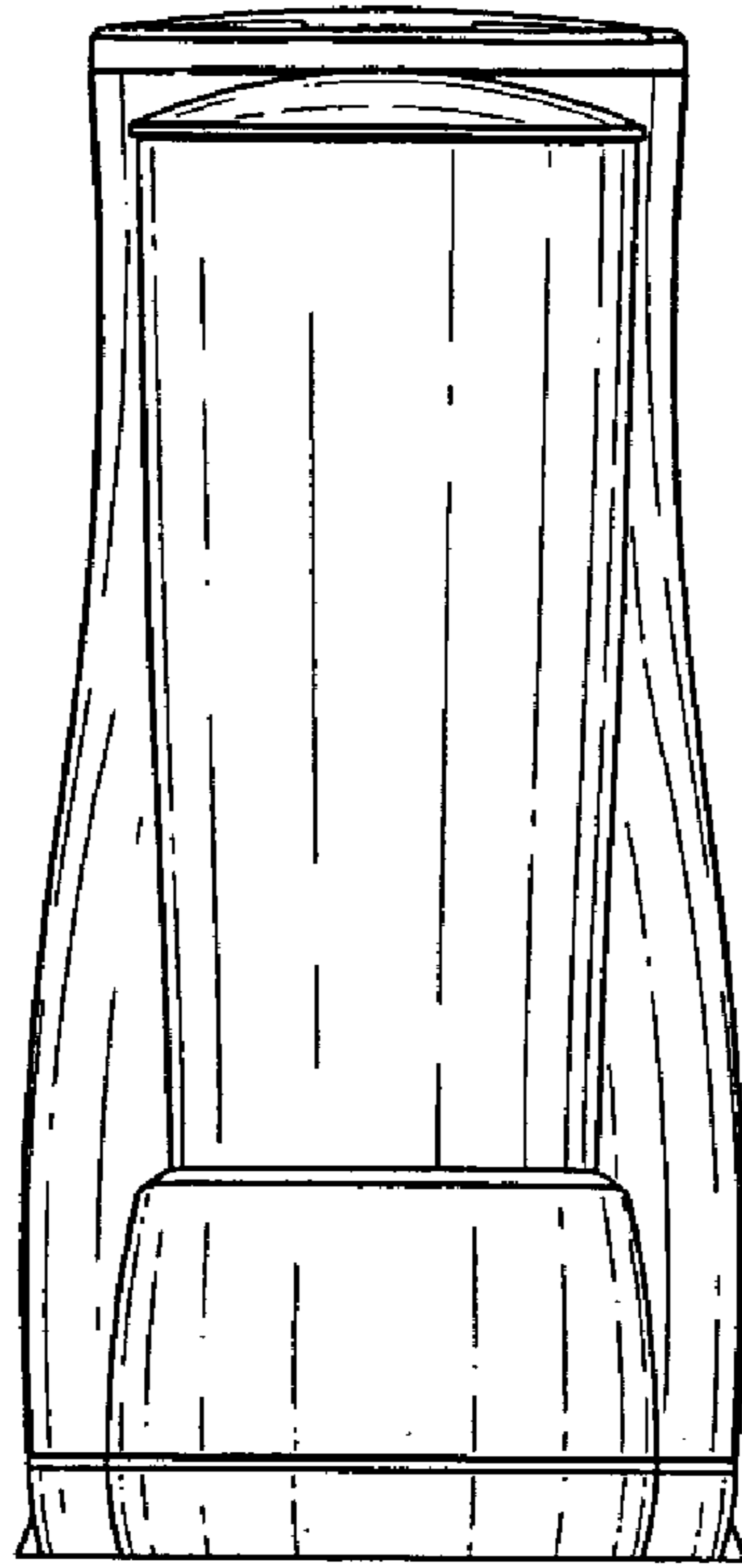


Fig. 5

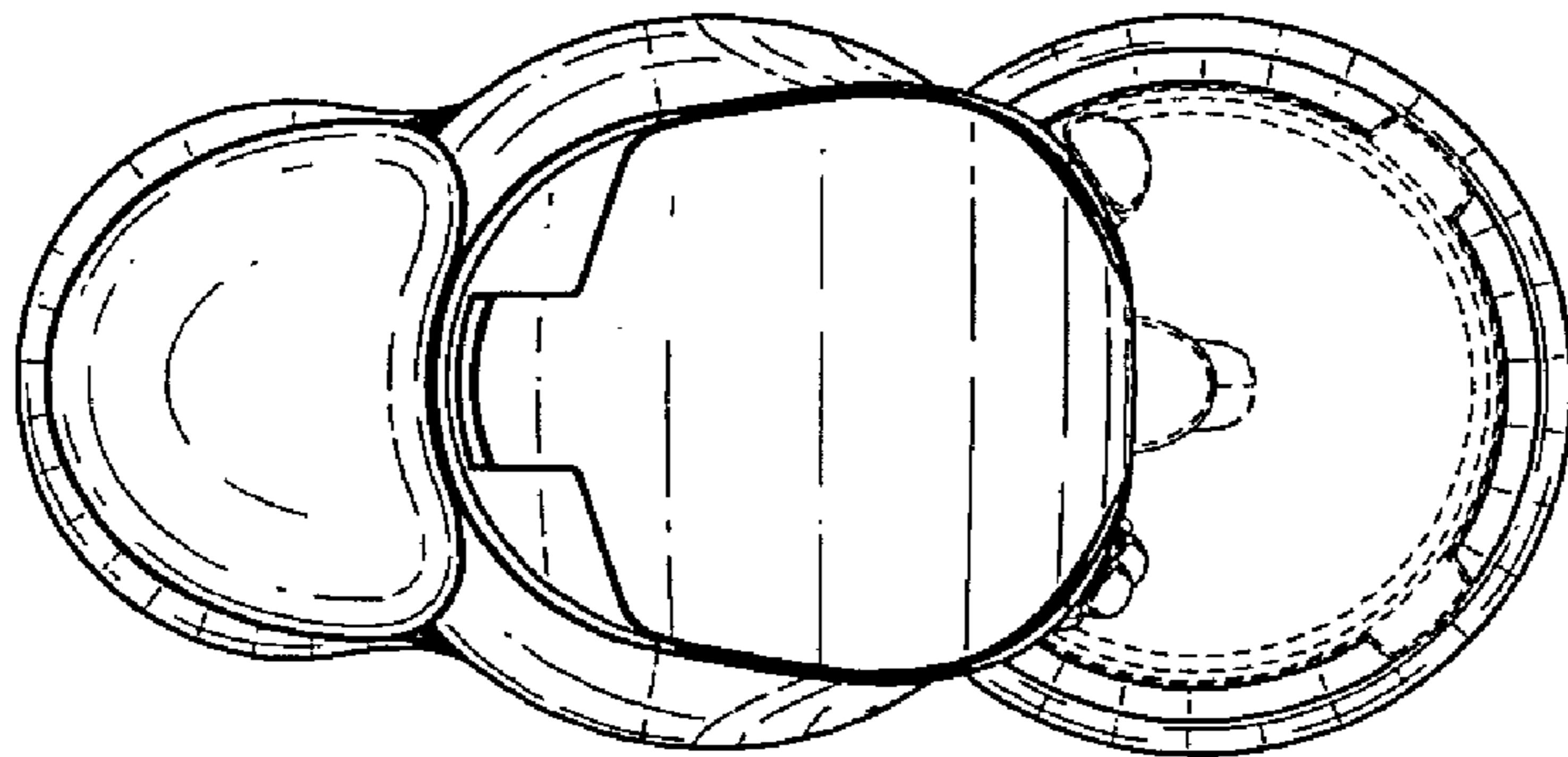


Fig. 6

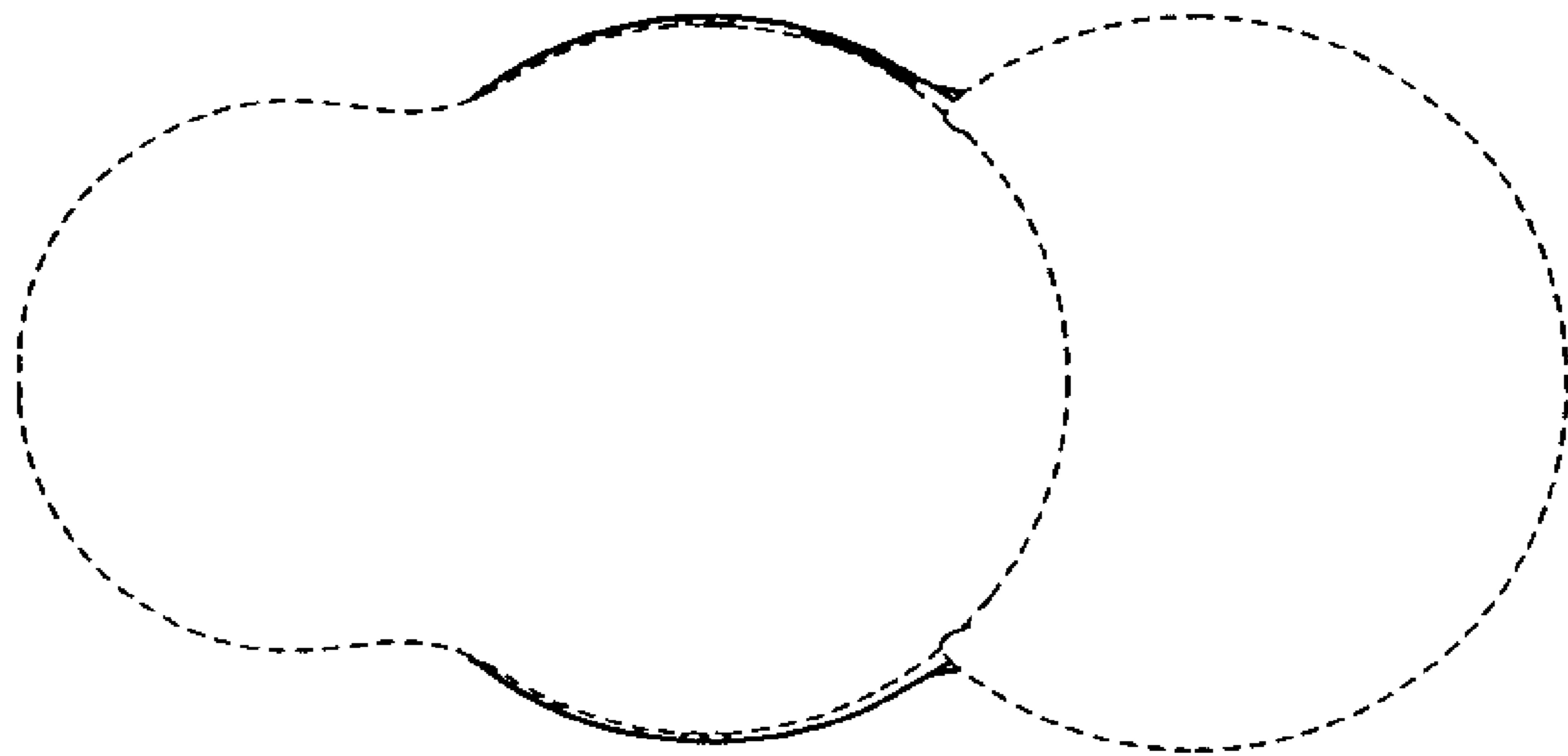


Fig. 7

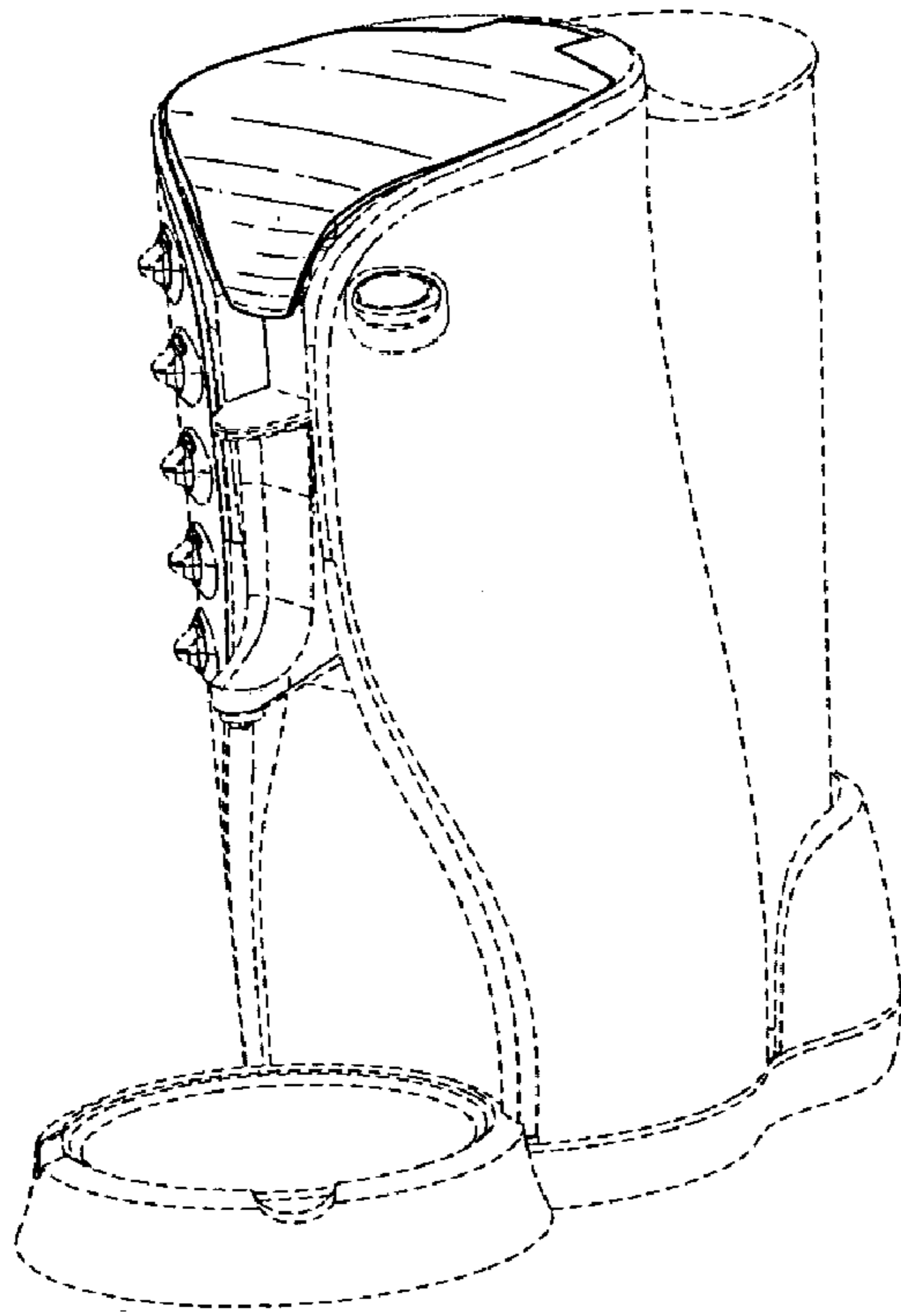


Fig. 8

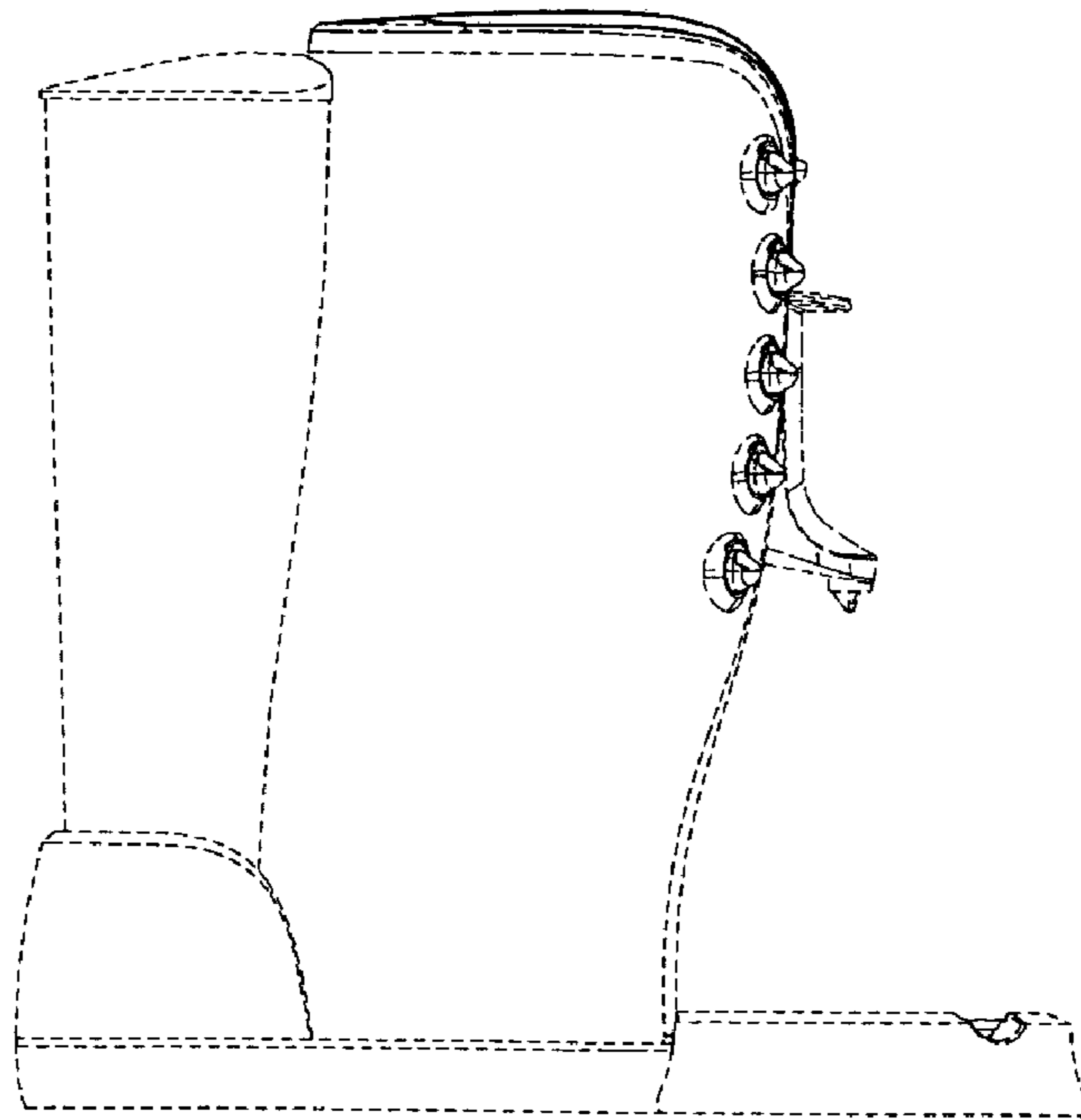


Fig. 9

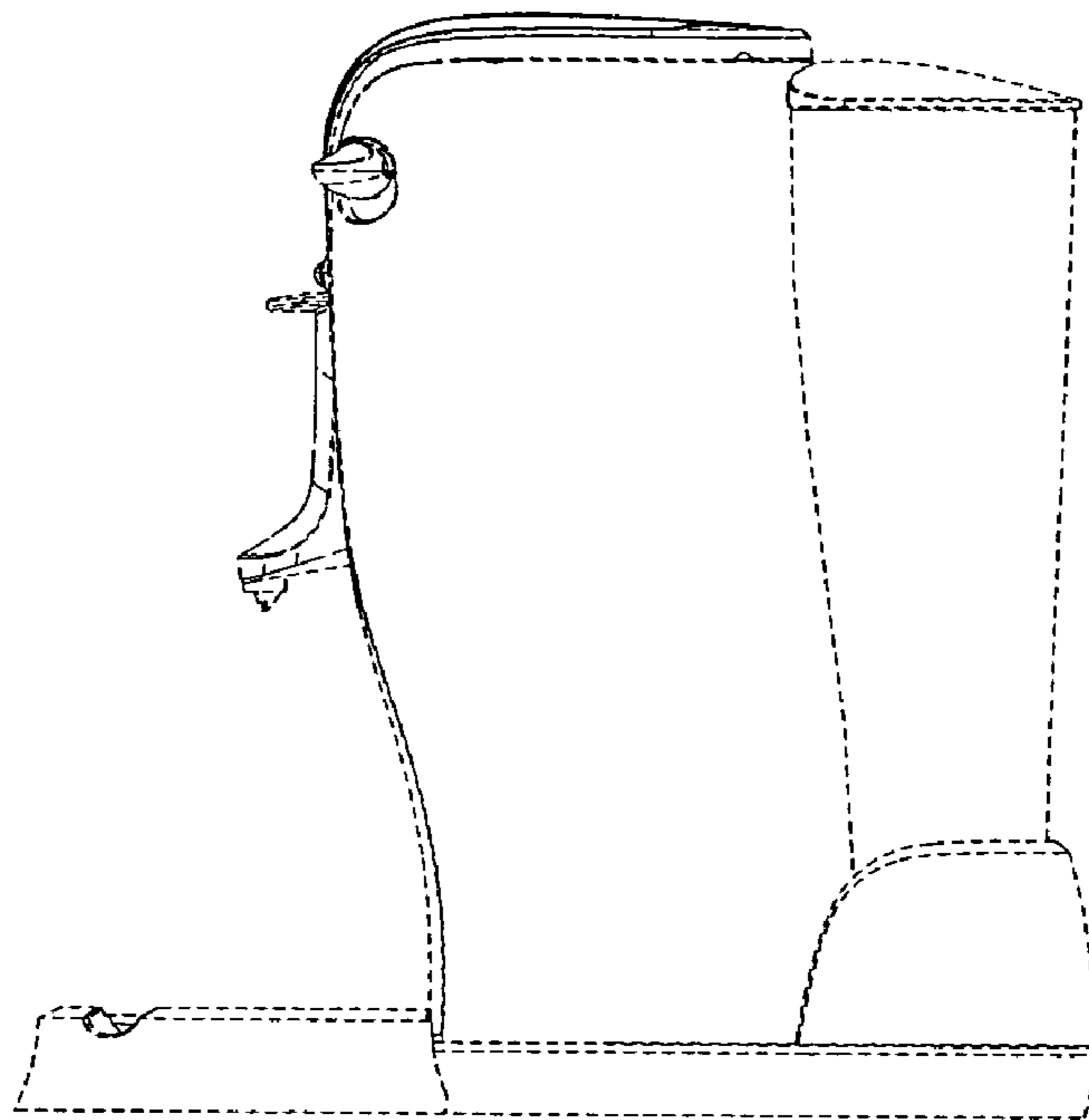


Fig. 10

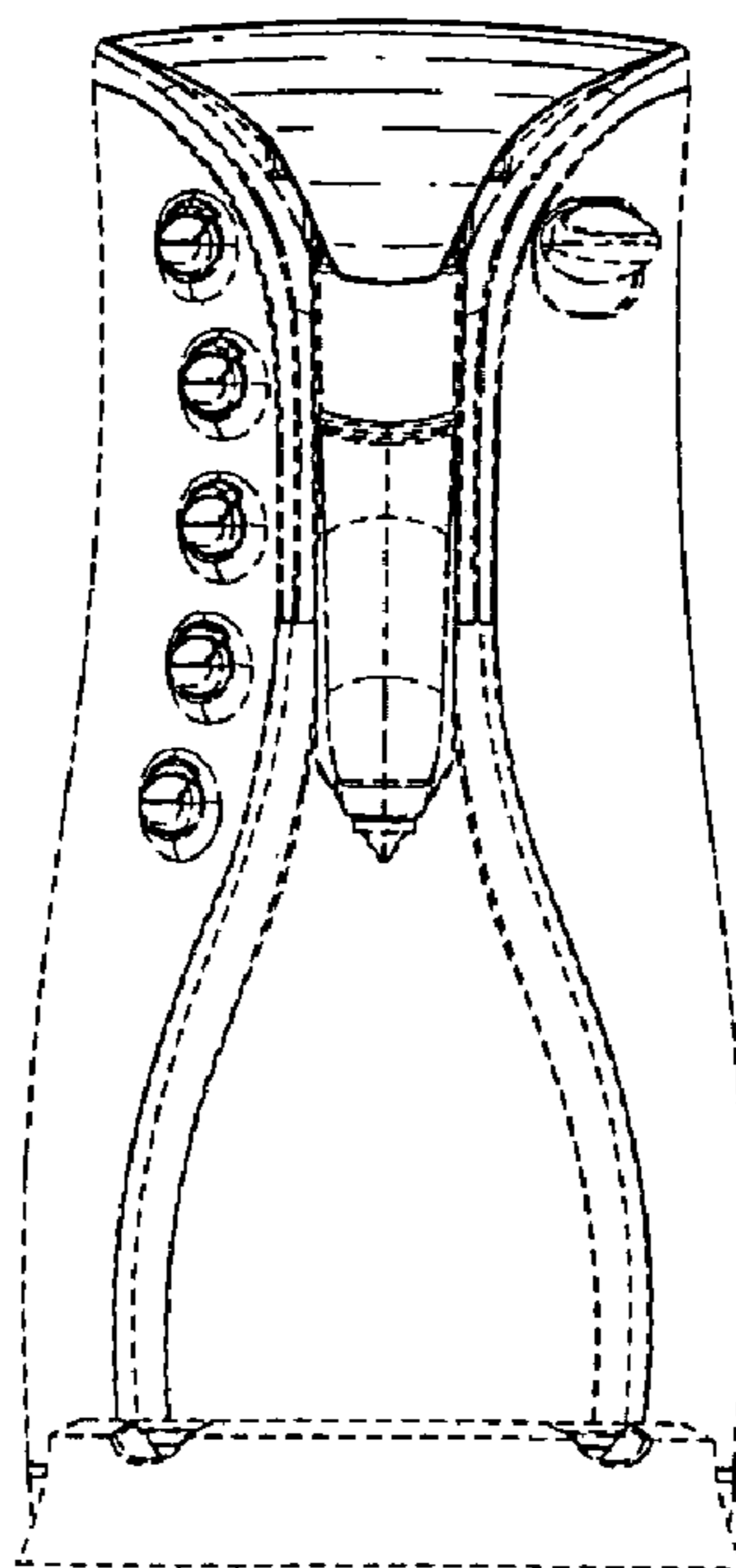


Fig. 11

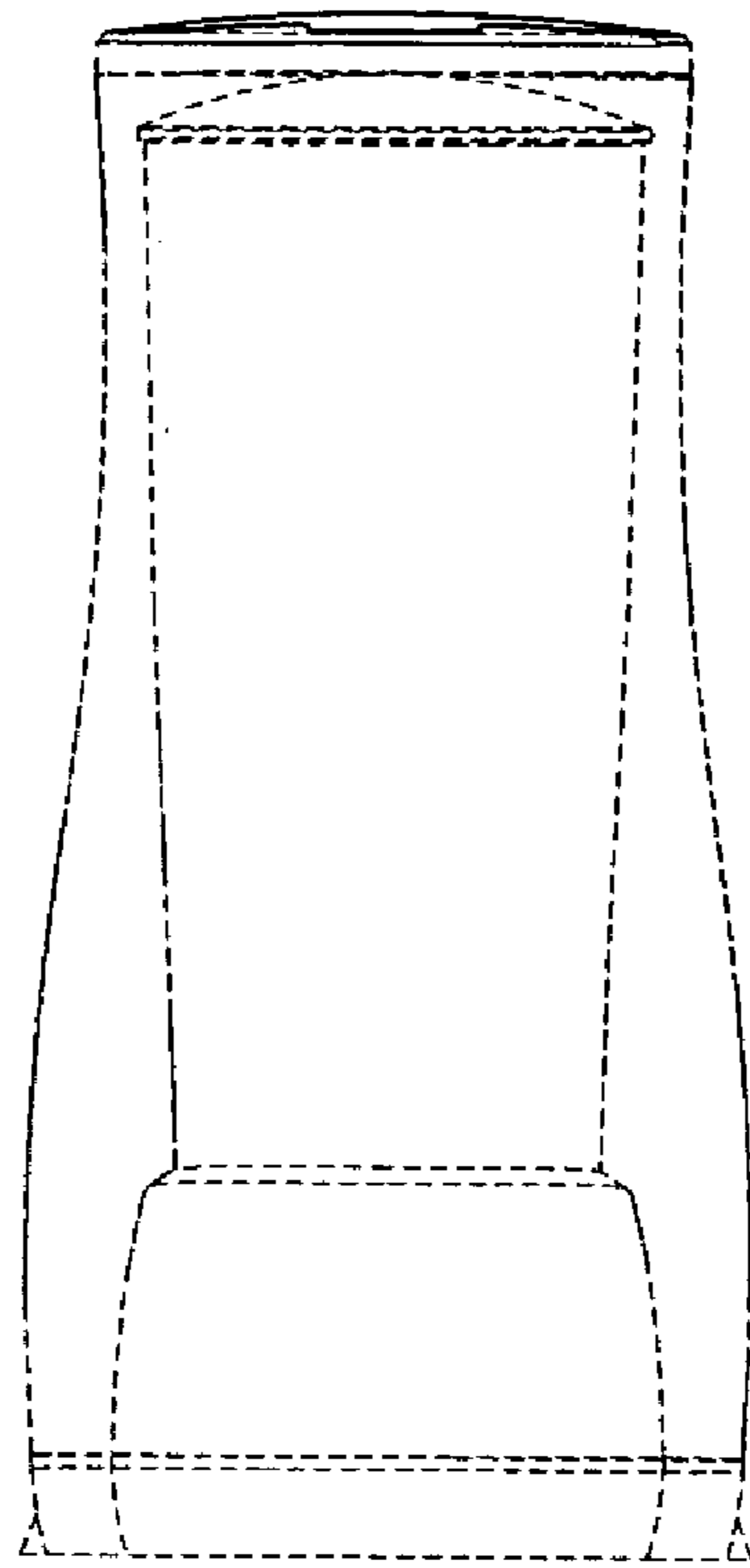


Fig. 12

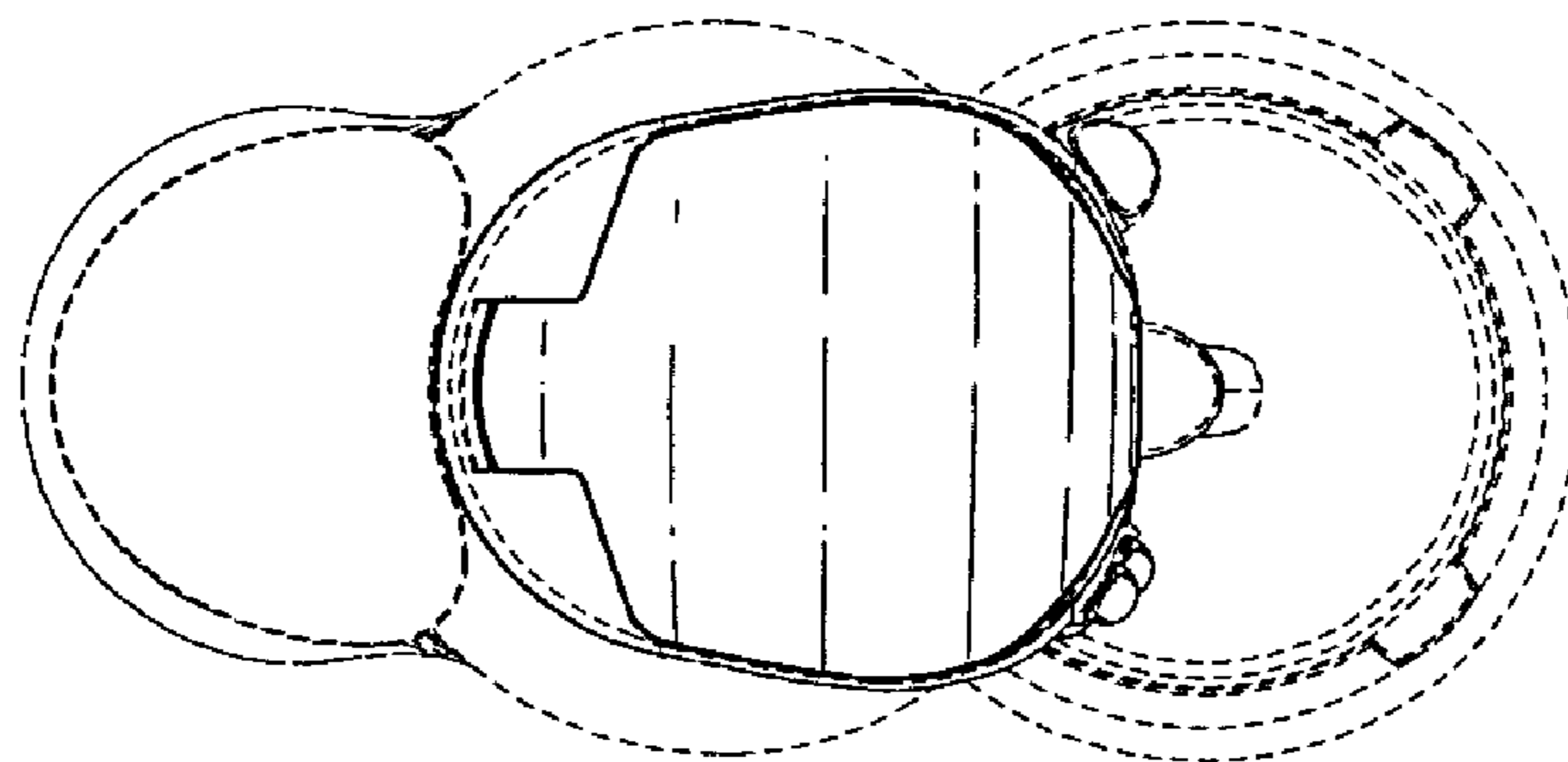


Fig. 13

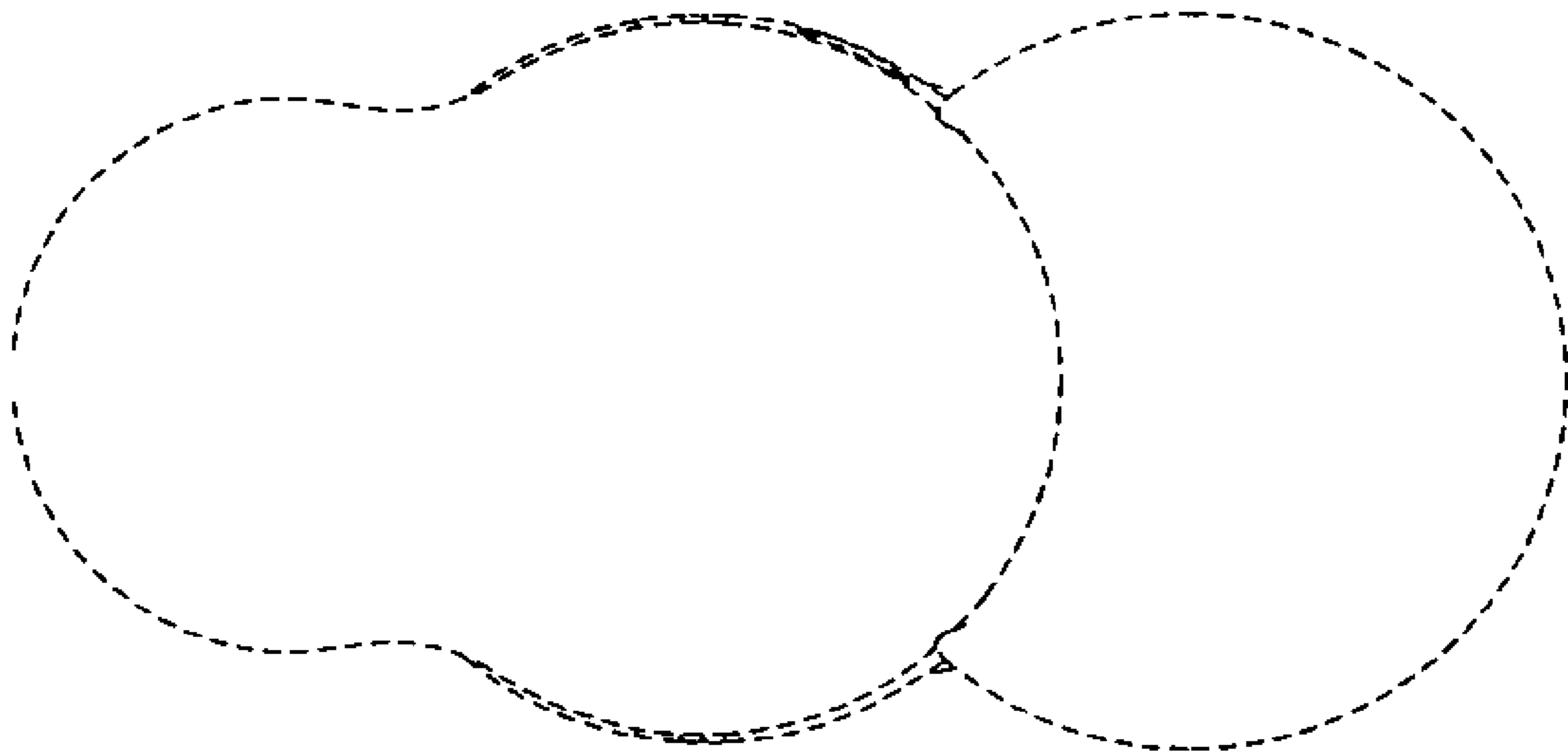


Fig. 14

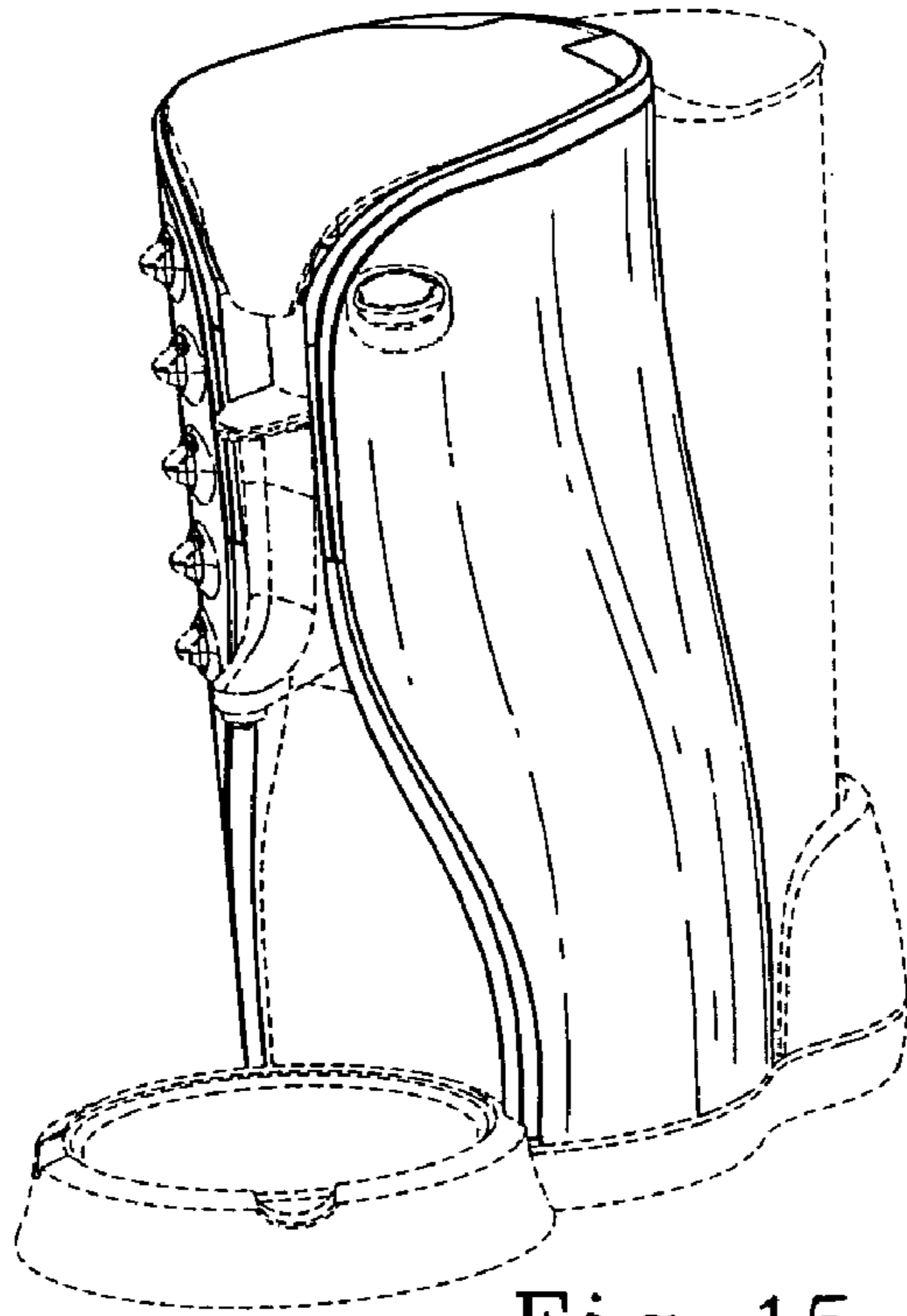


Fig. 15

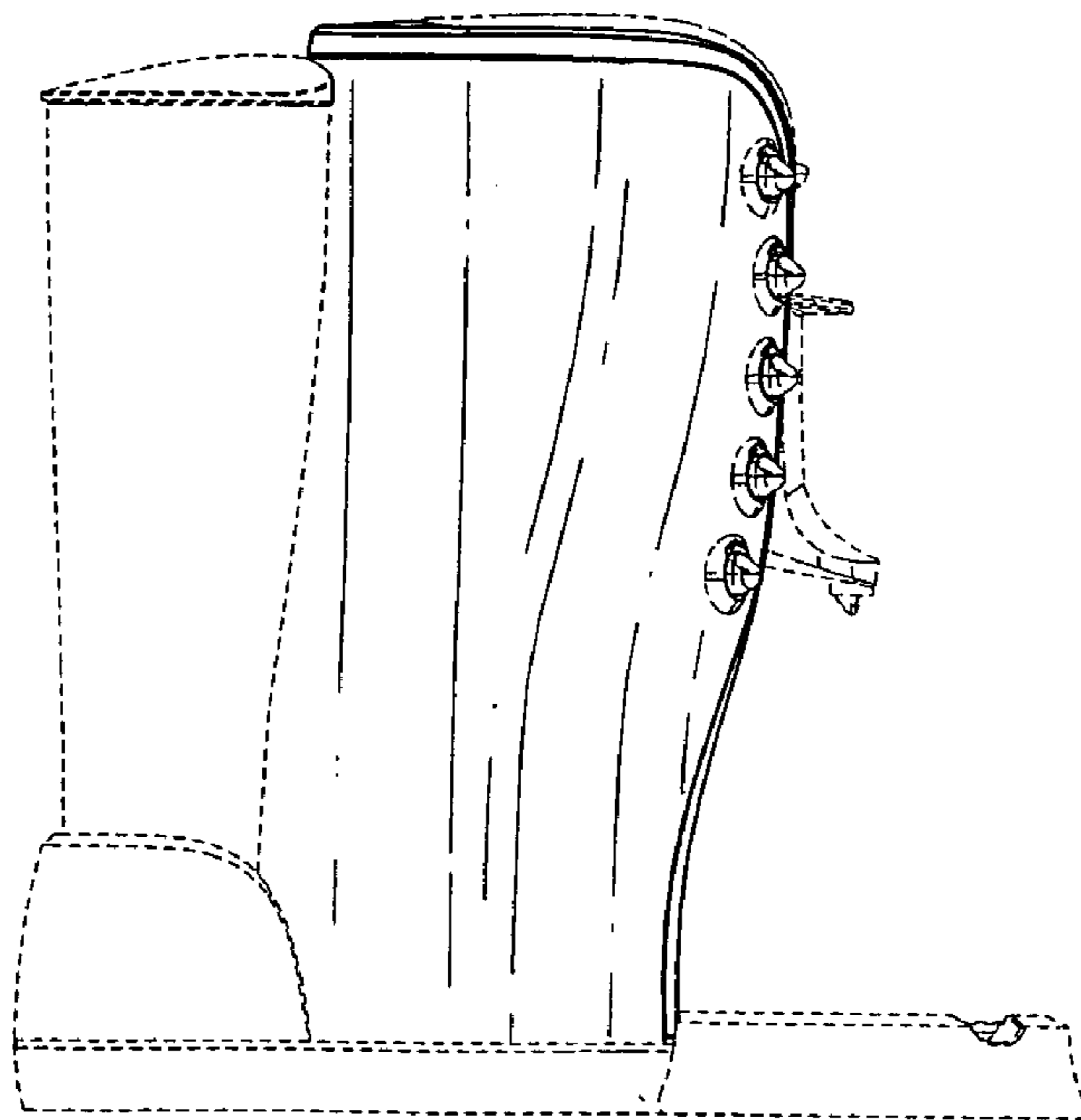


Fig. 16

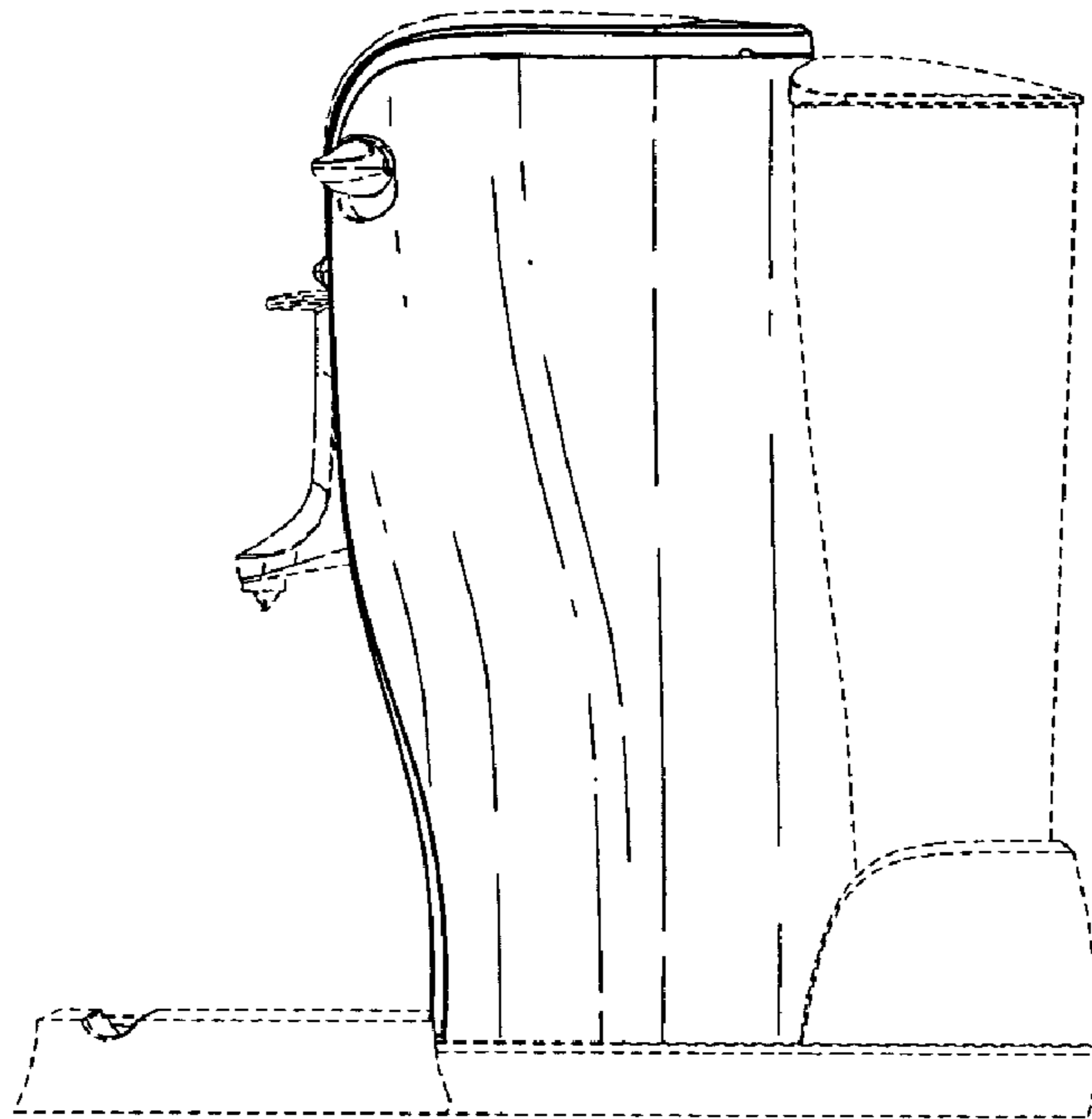


Fig. 17

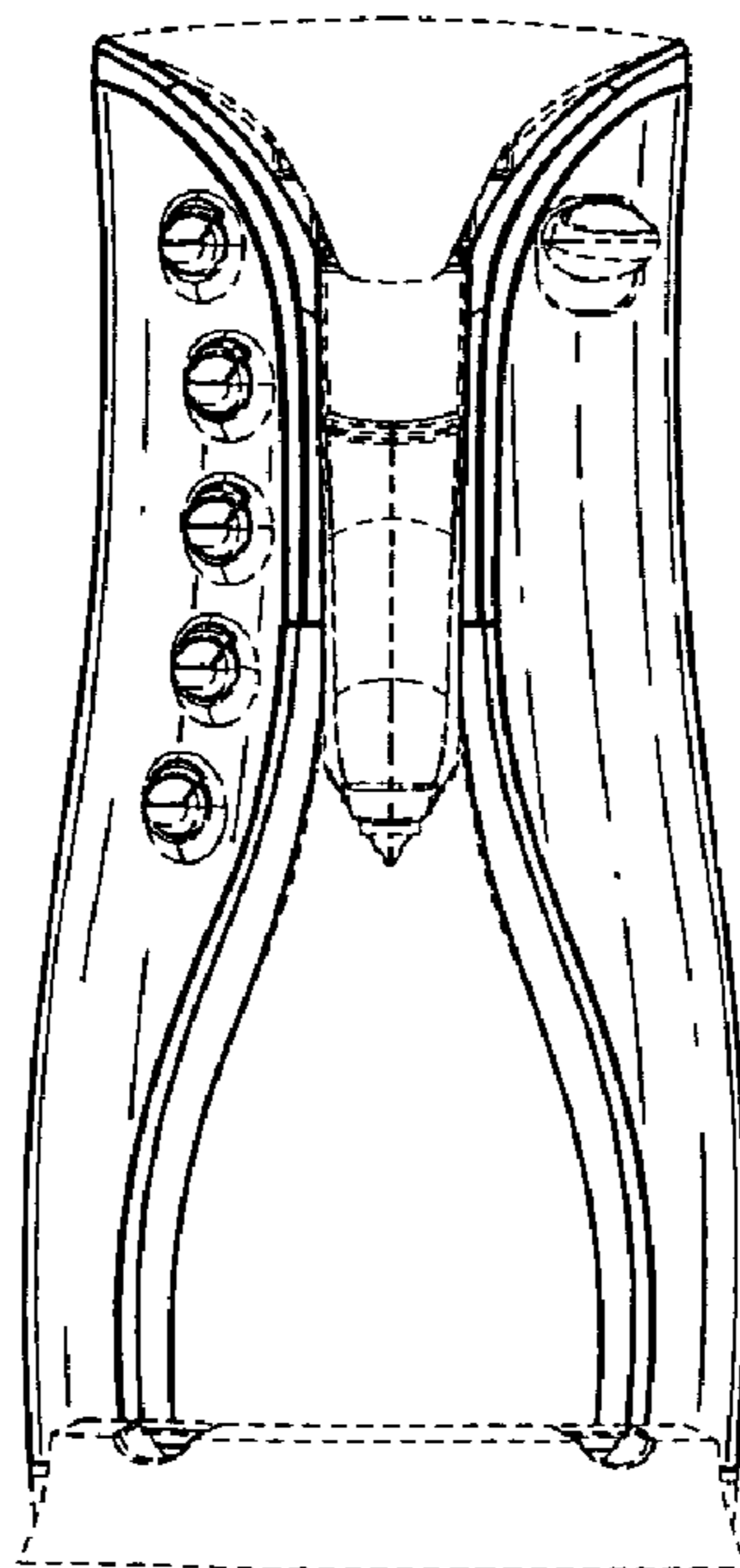


Fig. 18

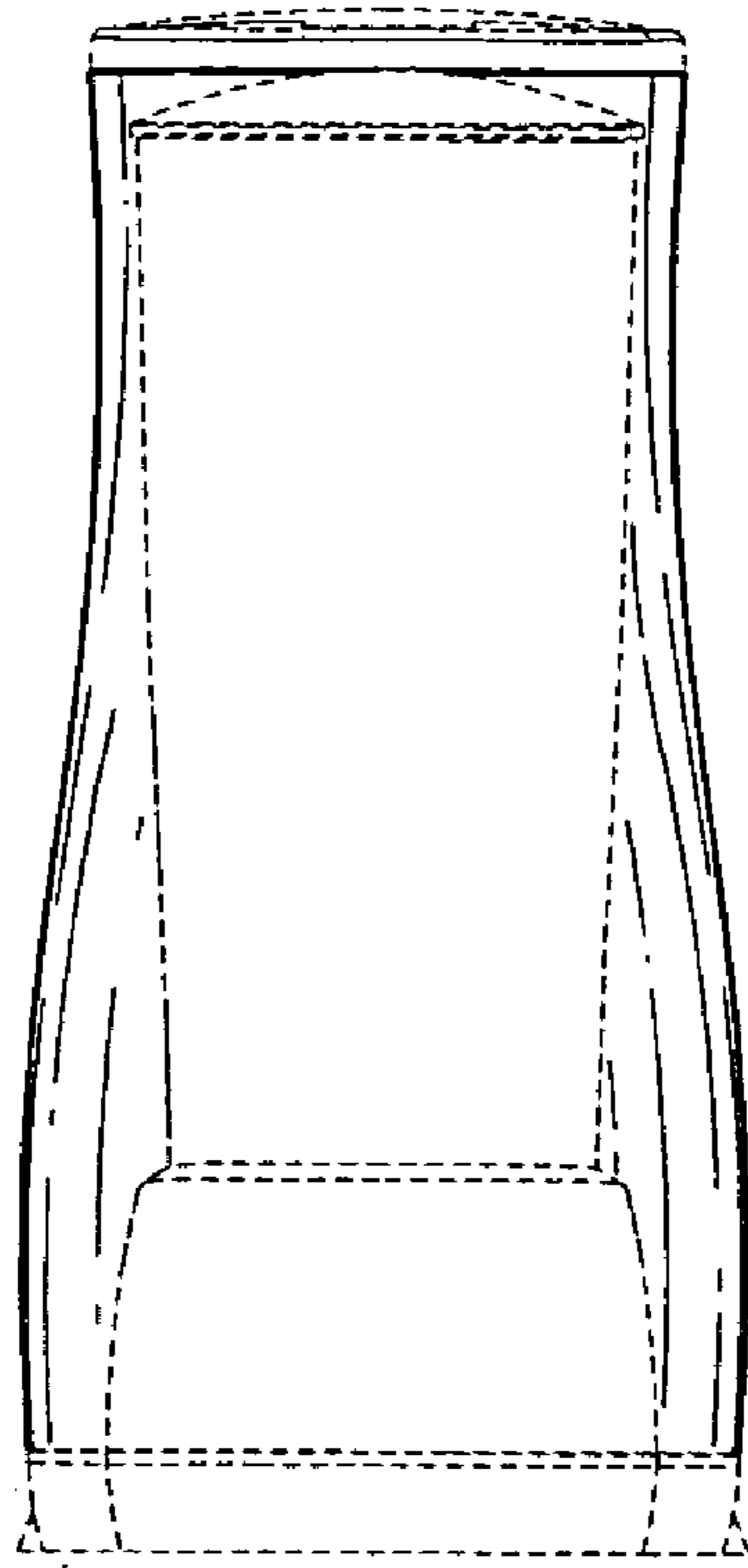


Fig. 19

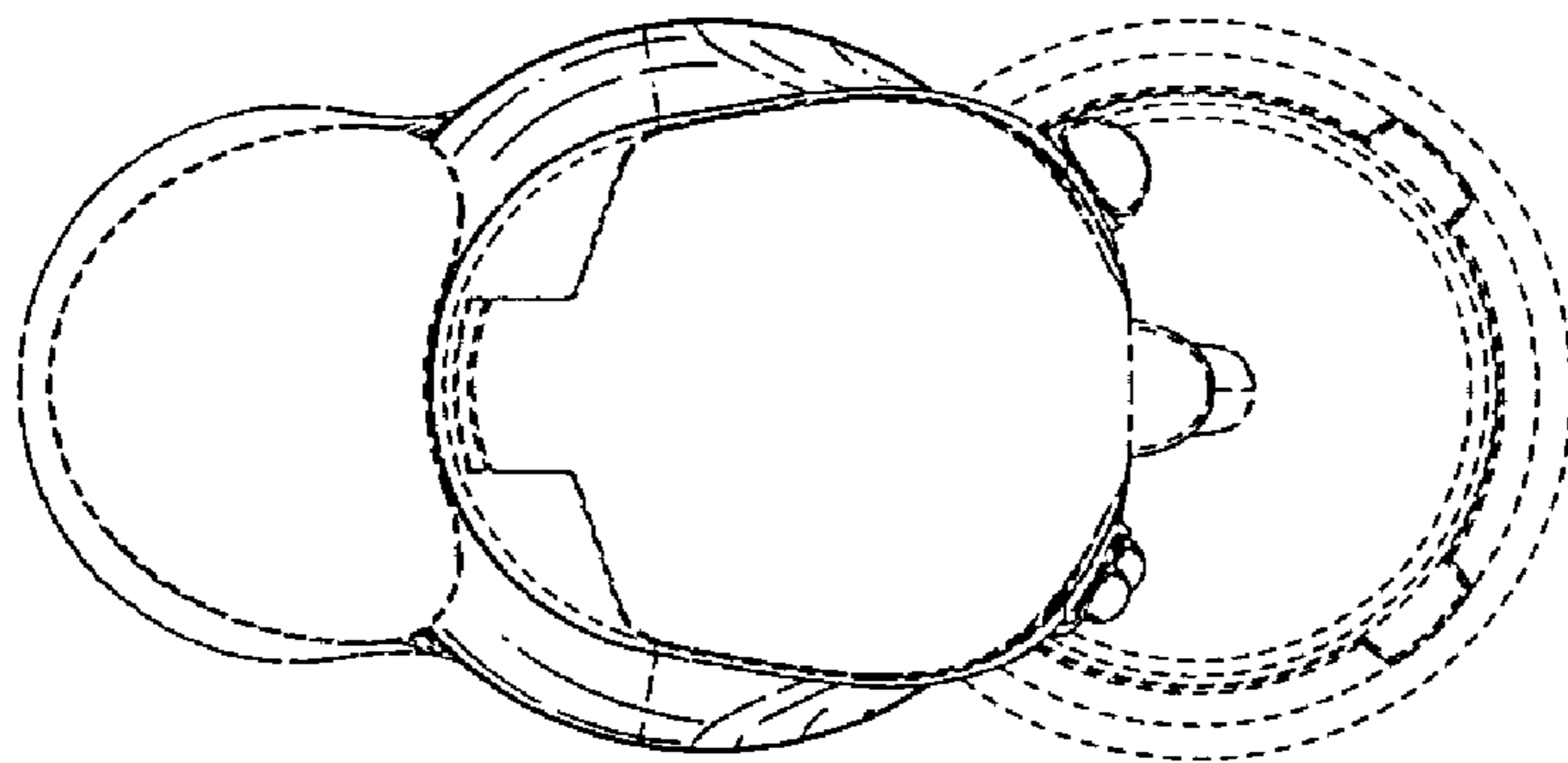


Fig. 20

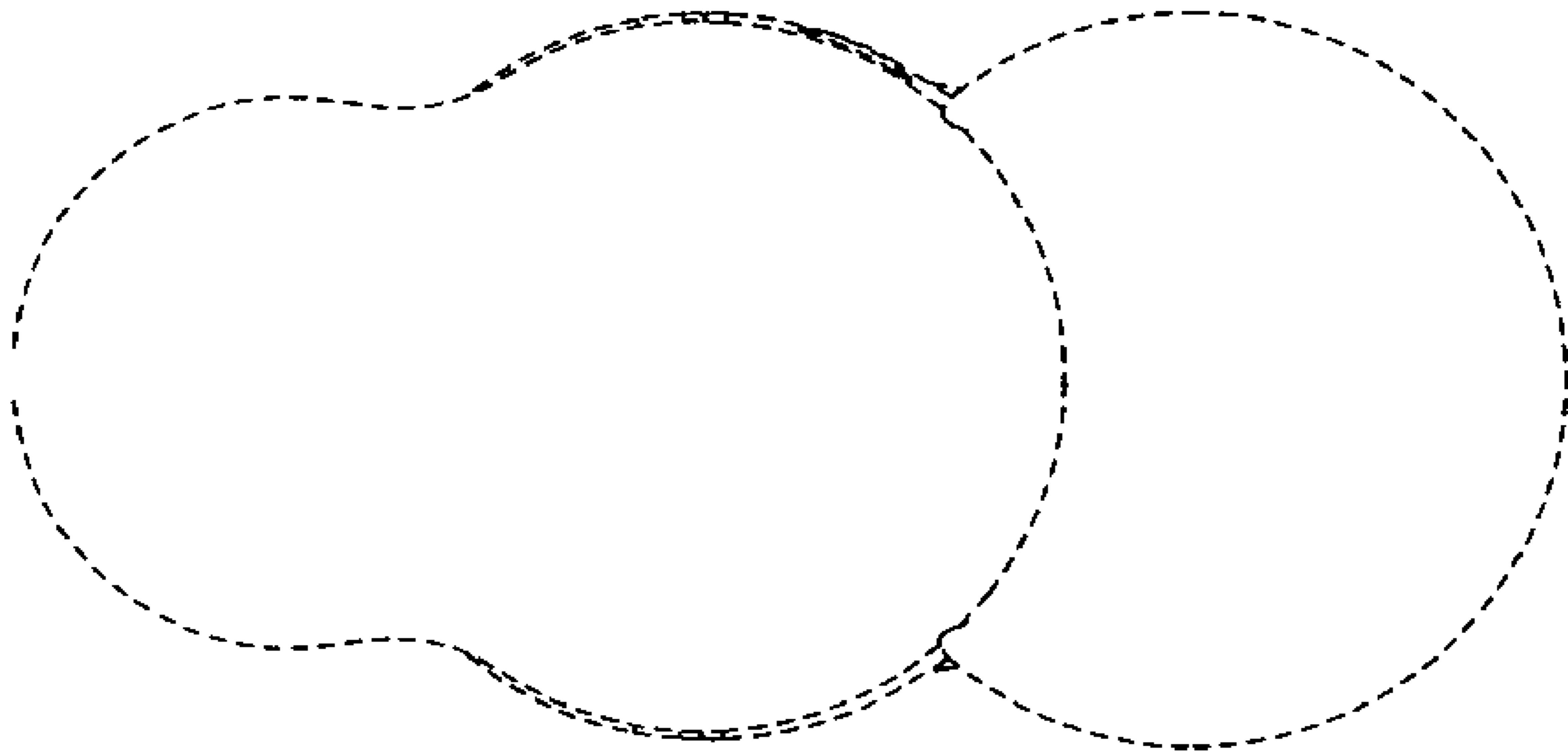


Fig. 21

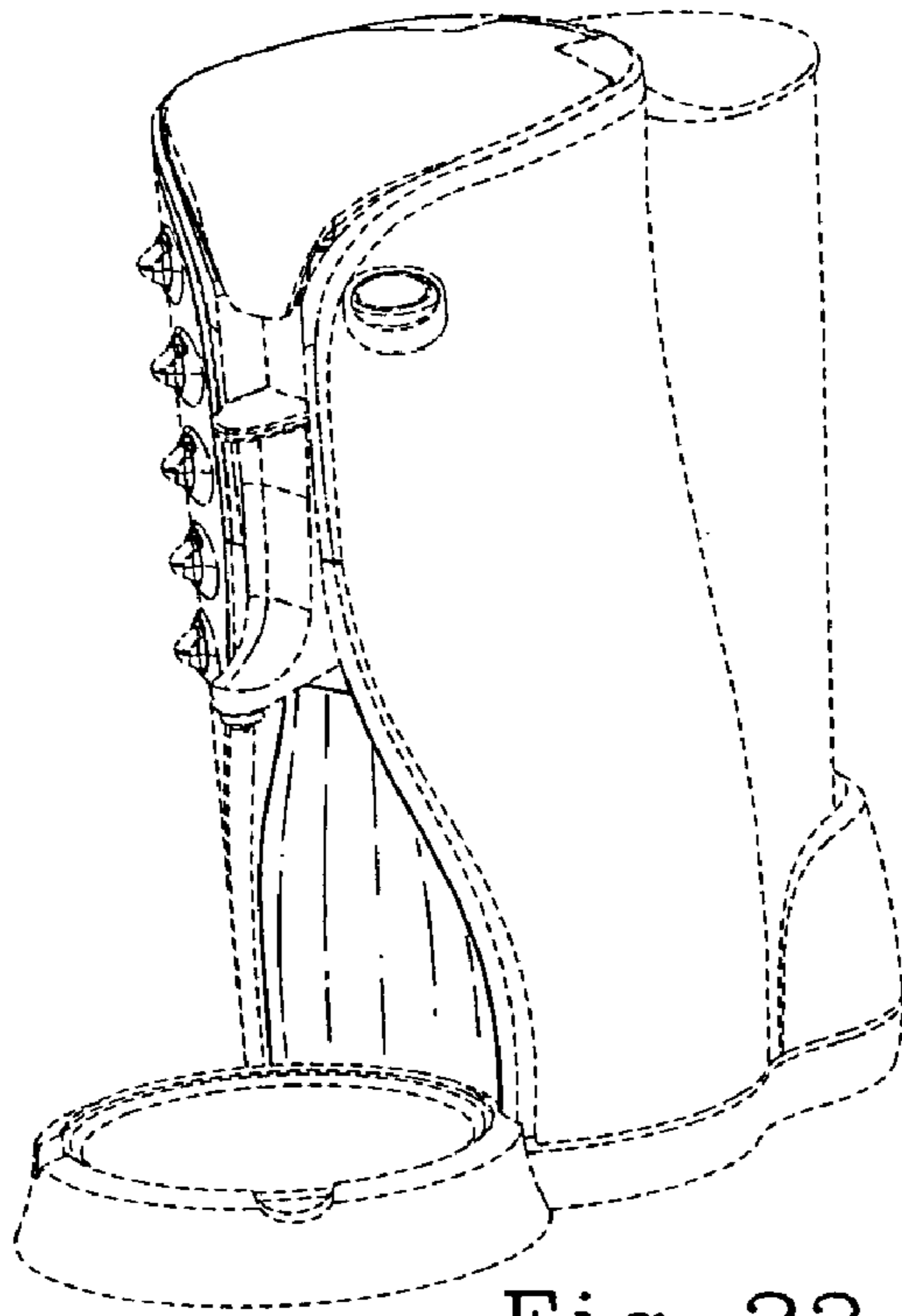


Fig. 22

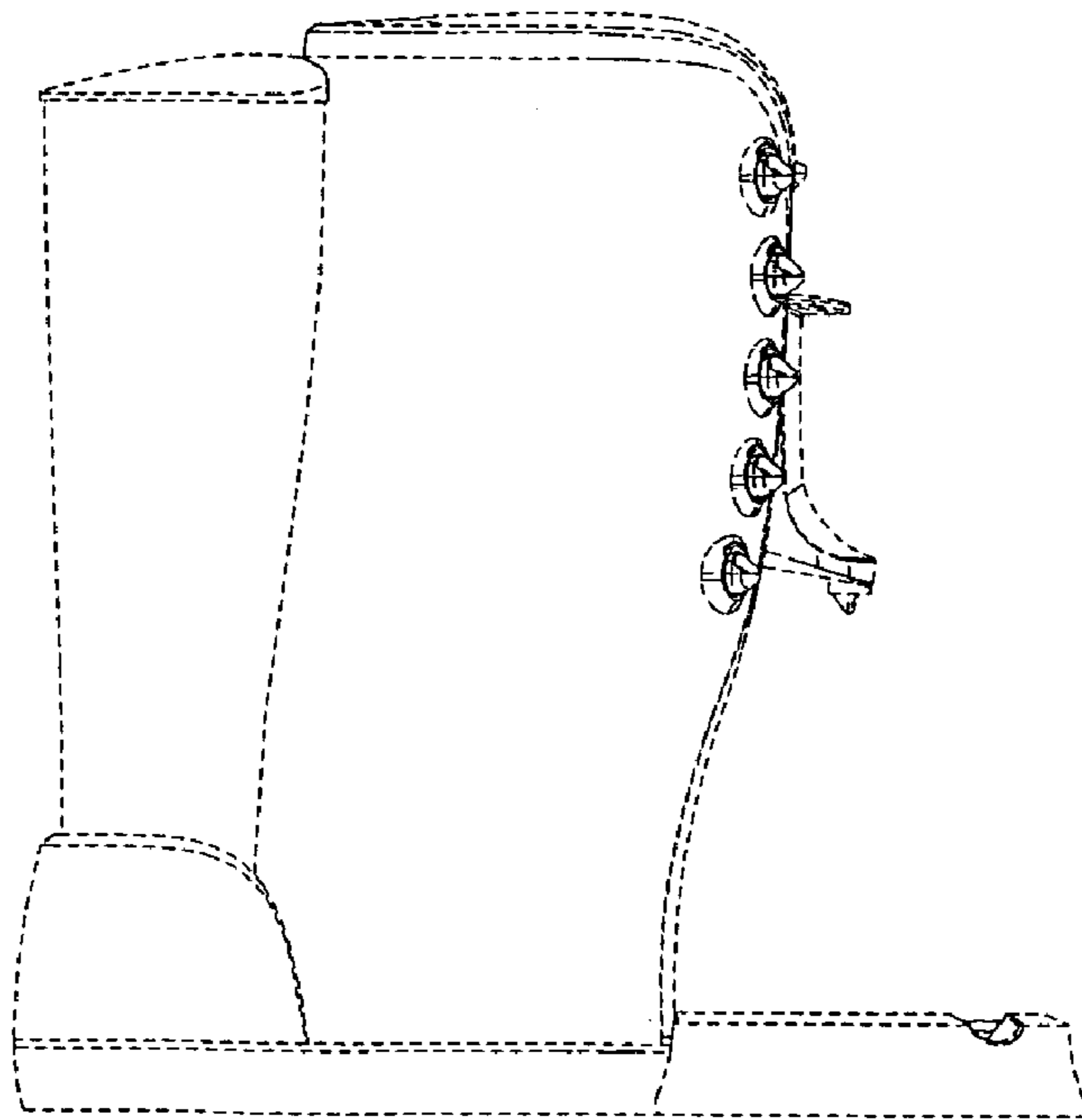


Fig. 23

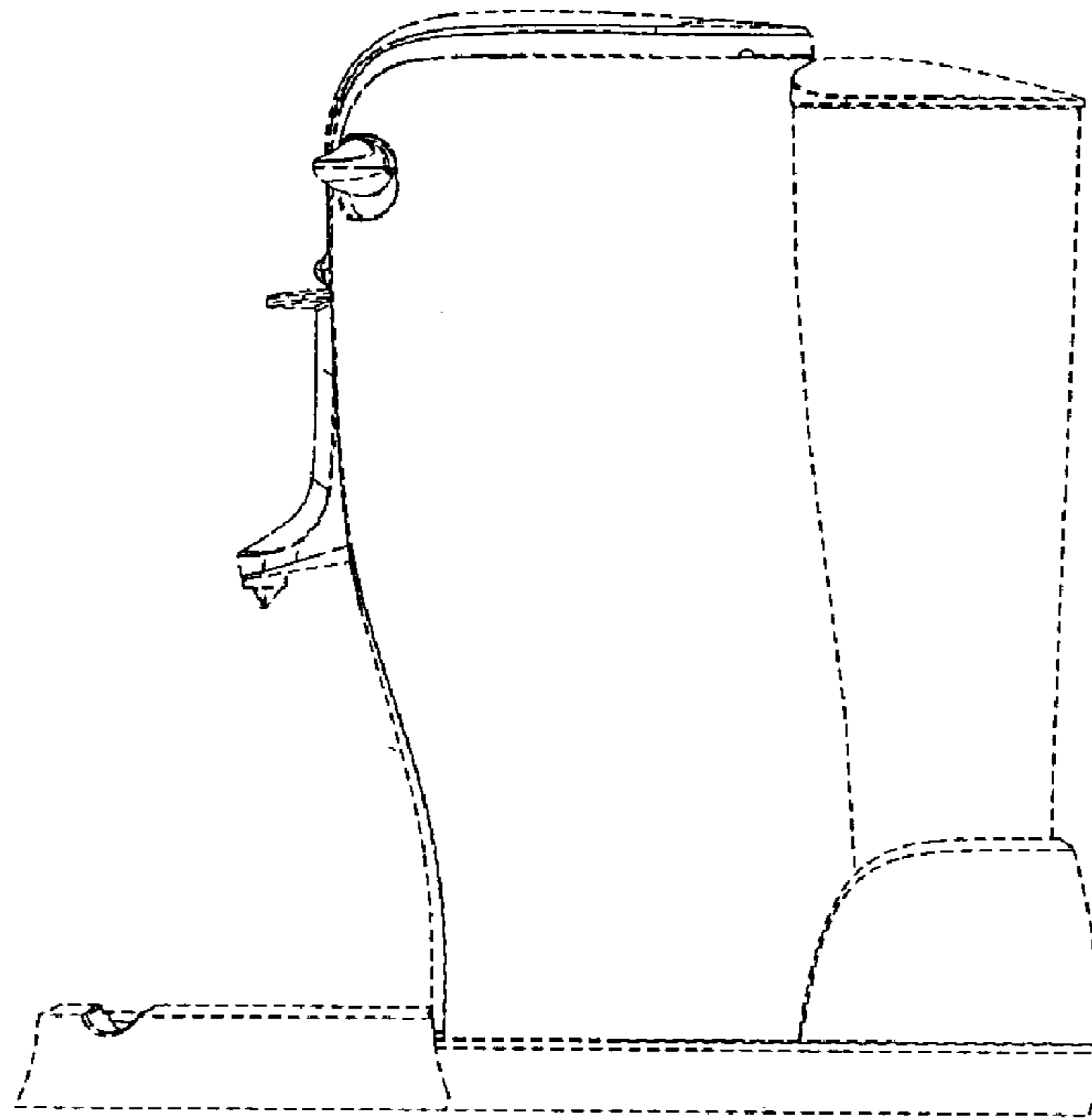


Fig. 24

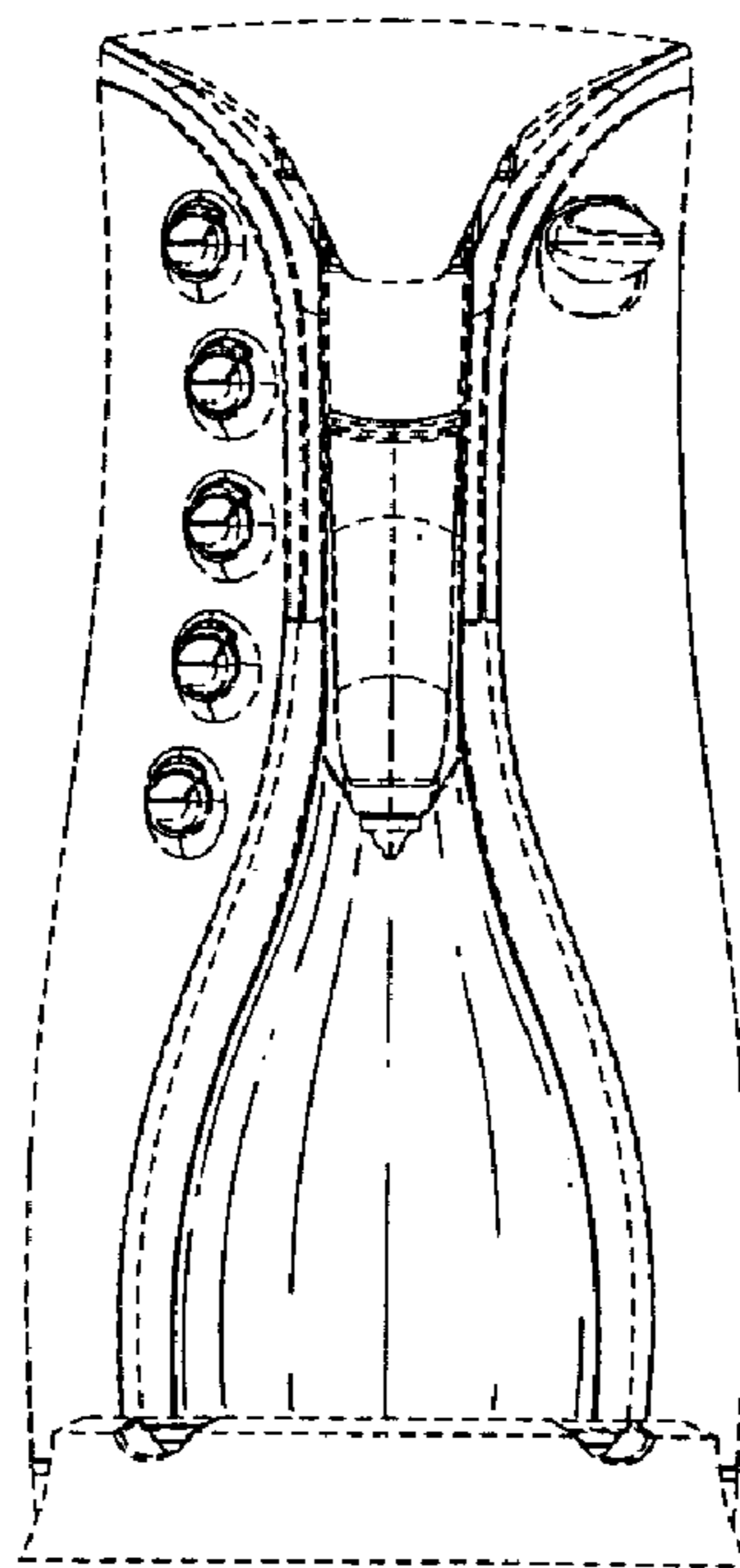


Fig. 25

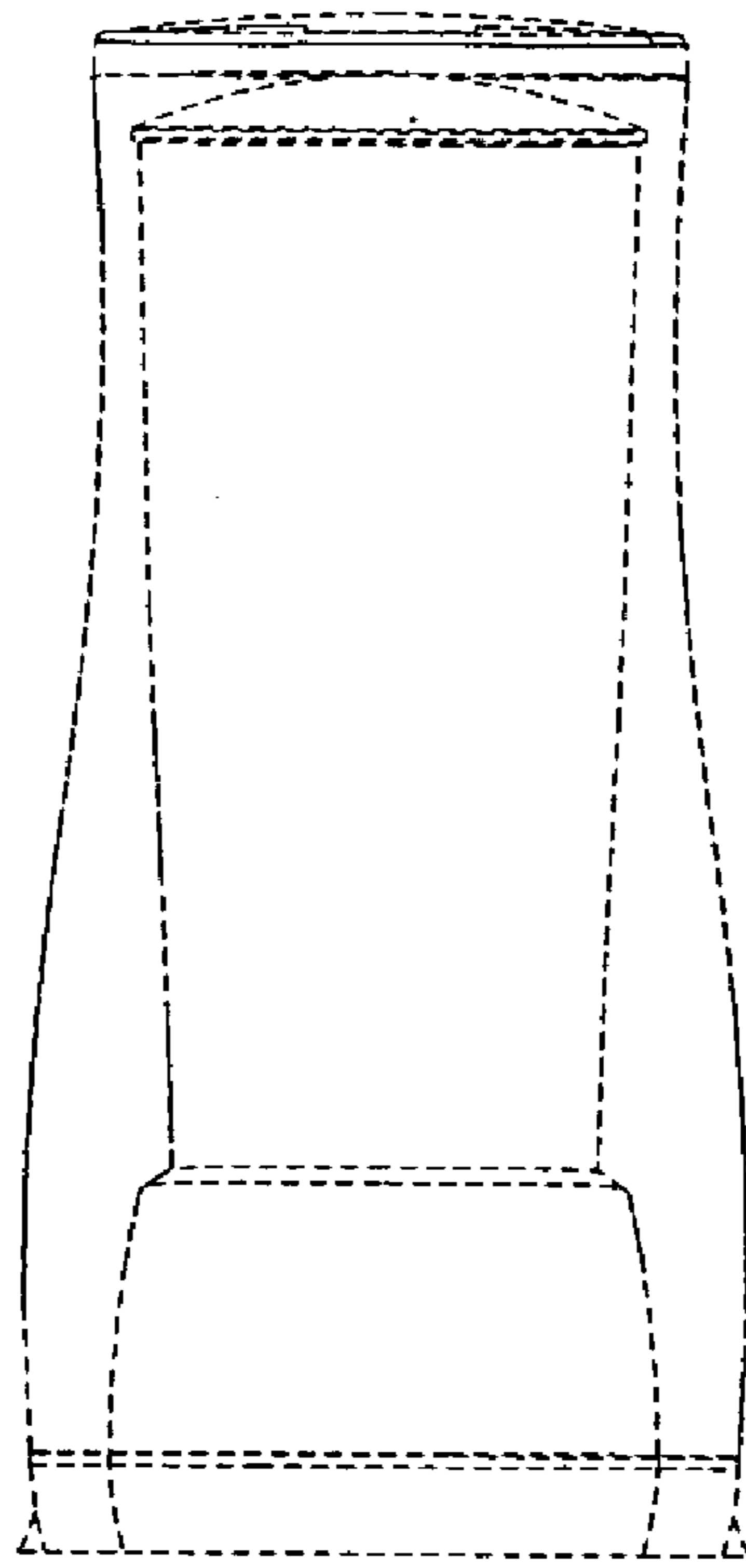


Fig. 26

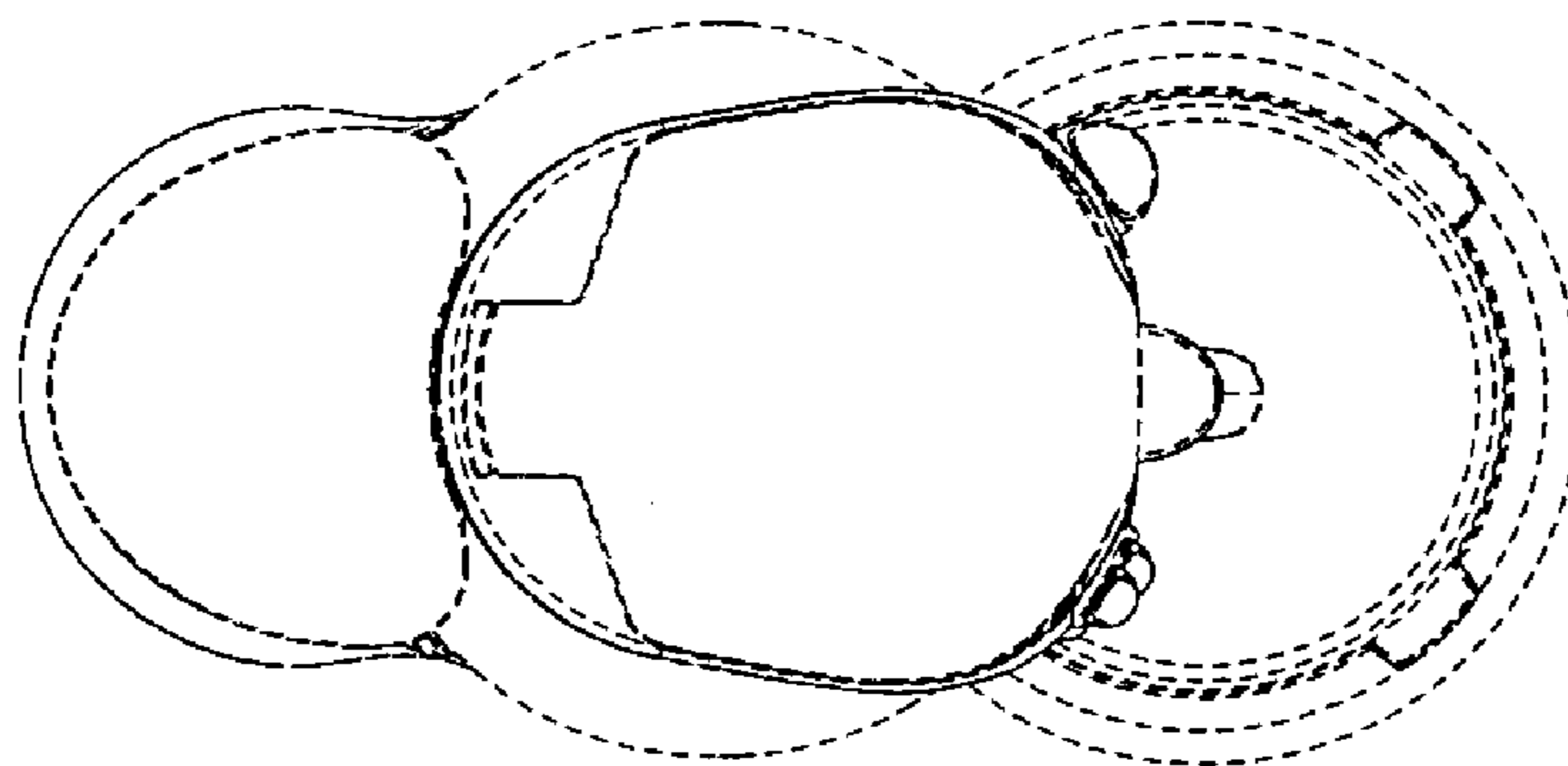


Fig. 27

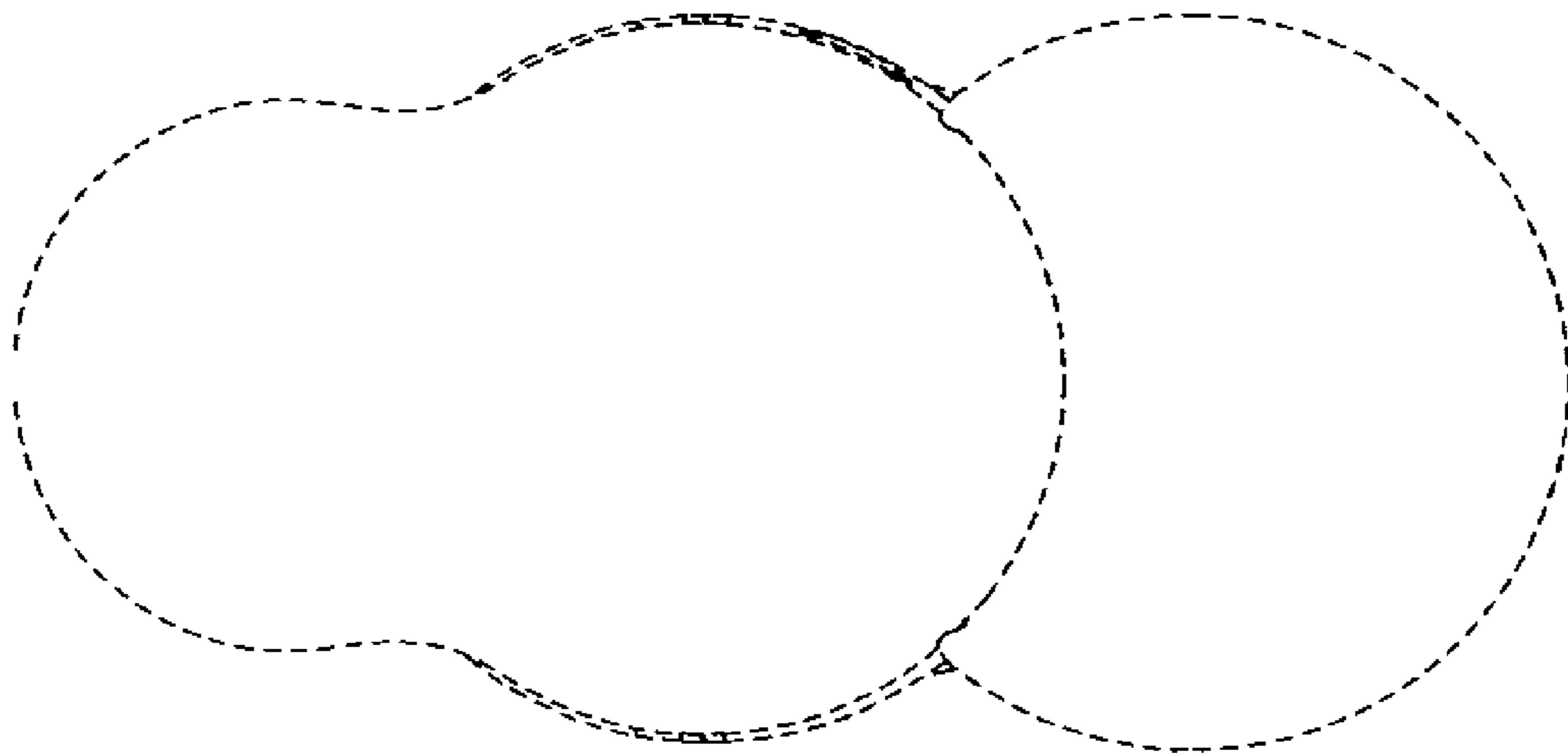


Fig. 28

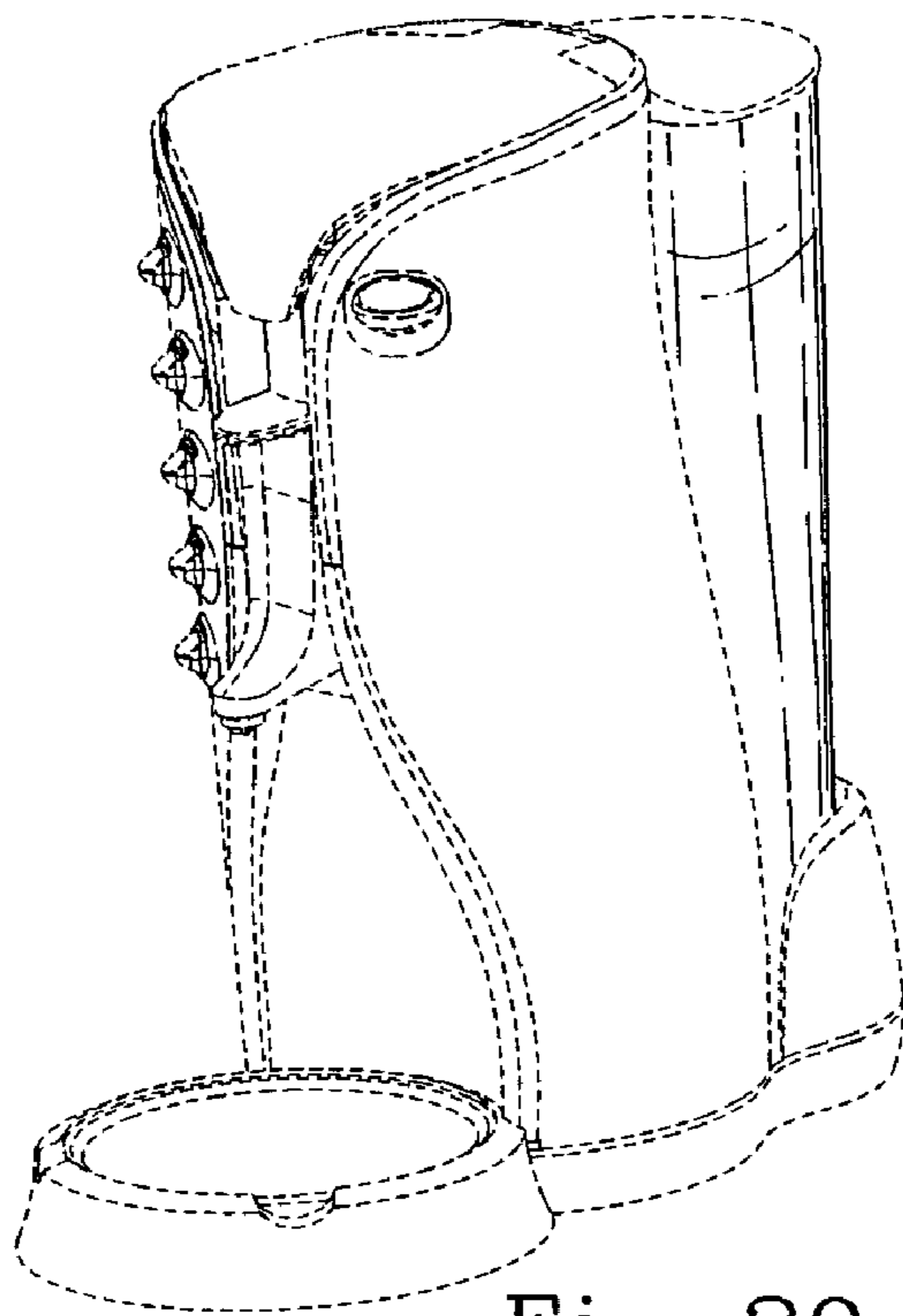


Fig. 29

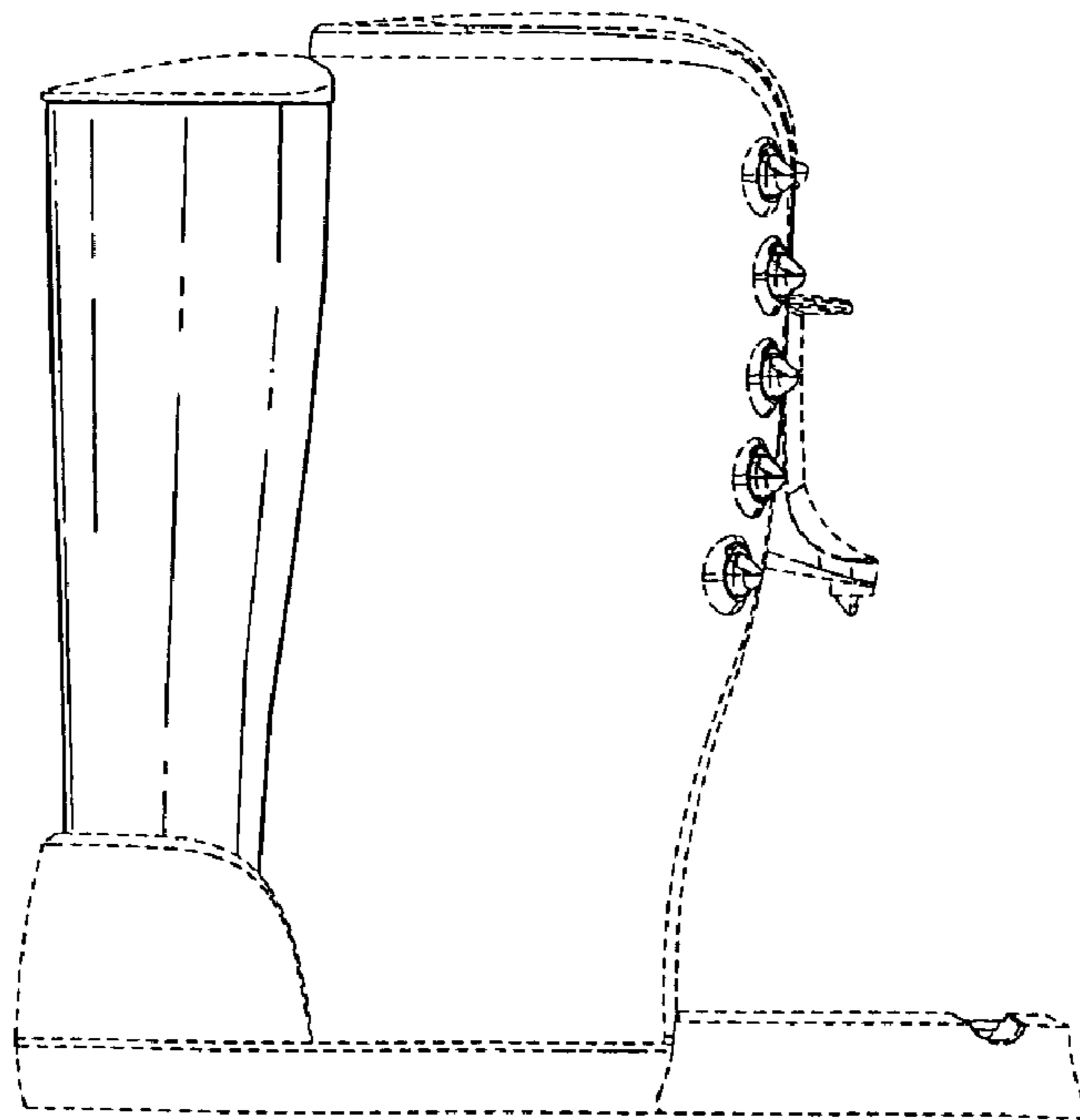


Fig. 30

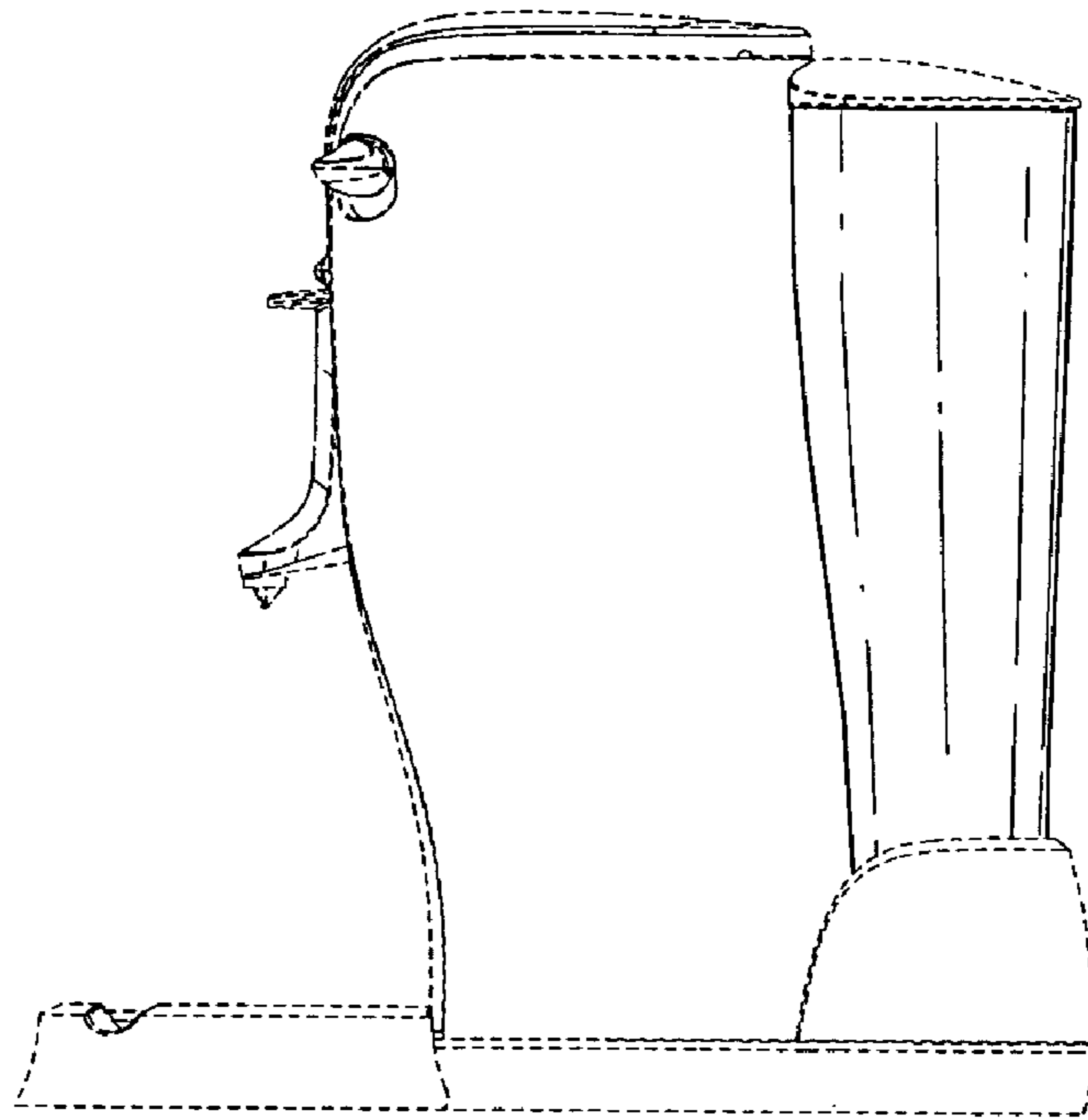


Fig. 31

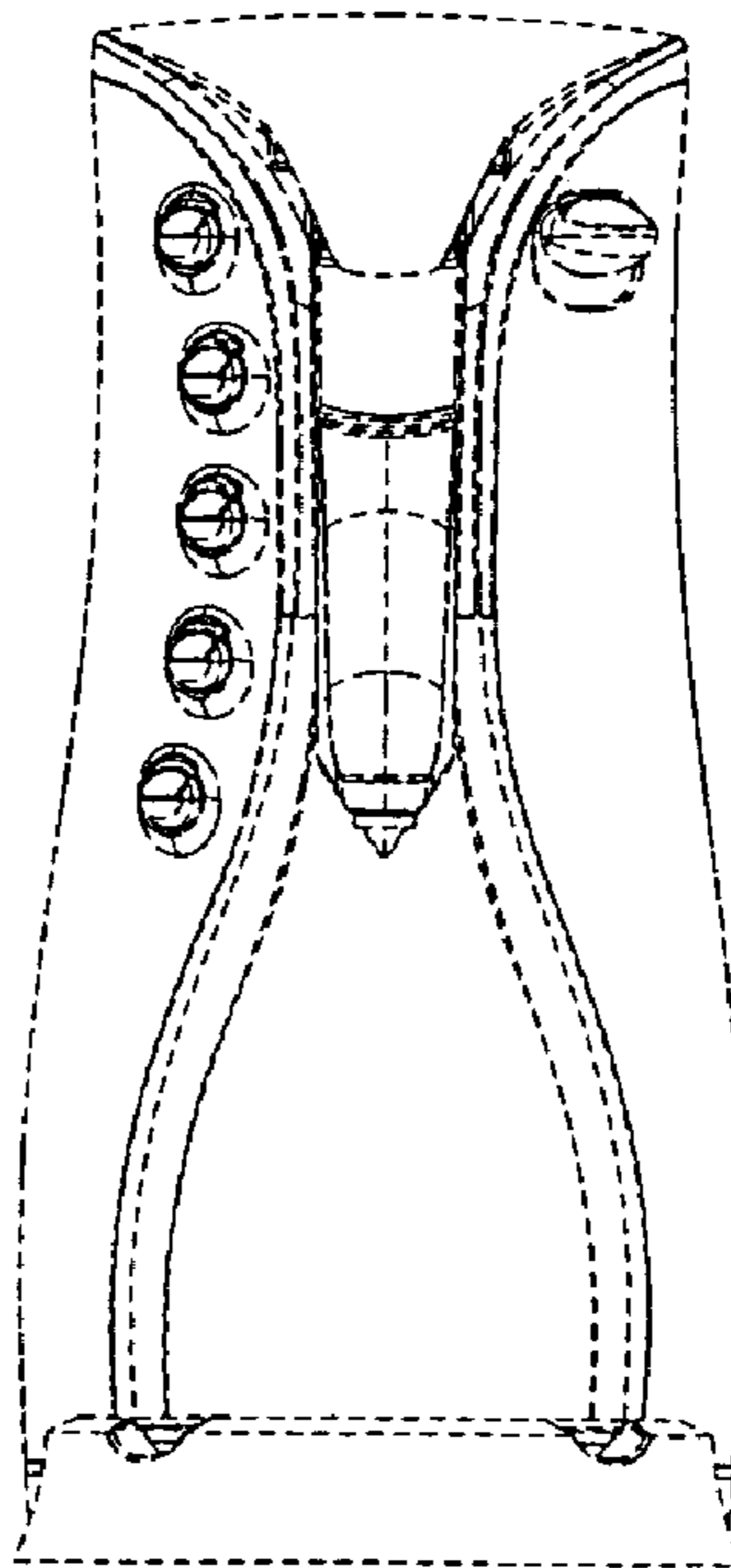


Fig. 32

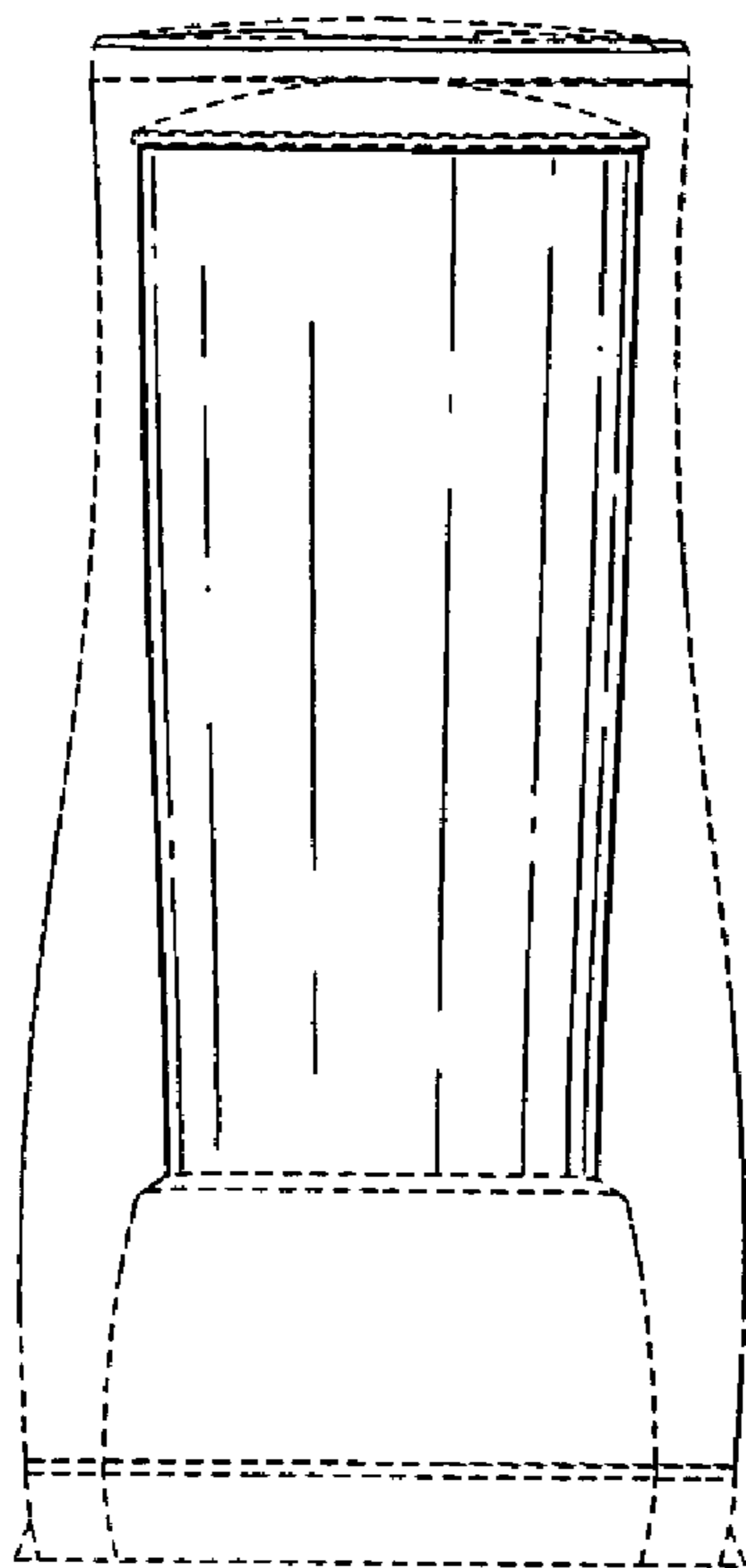


Fig. 33

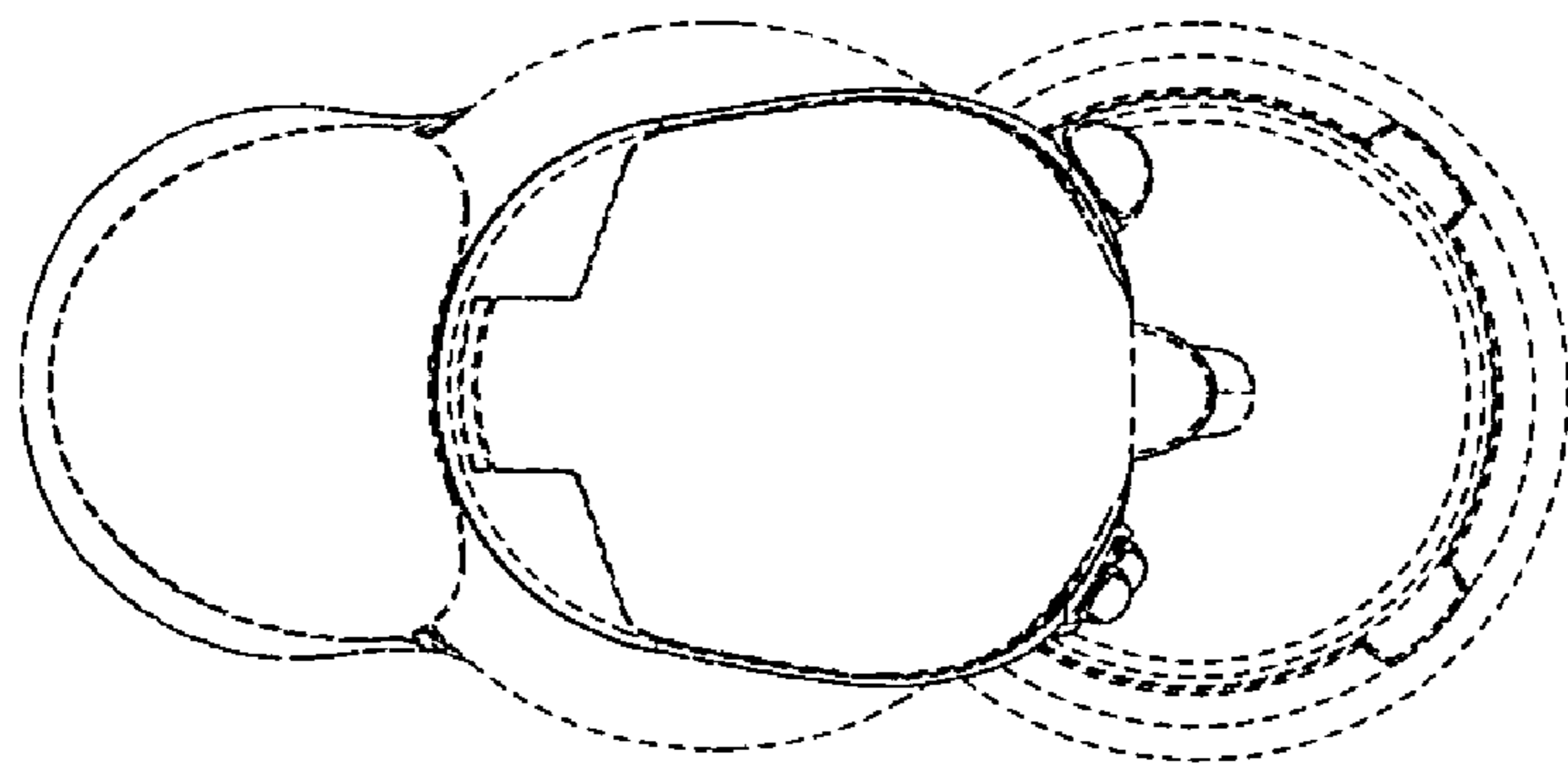


Fig. 34

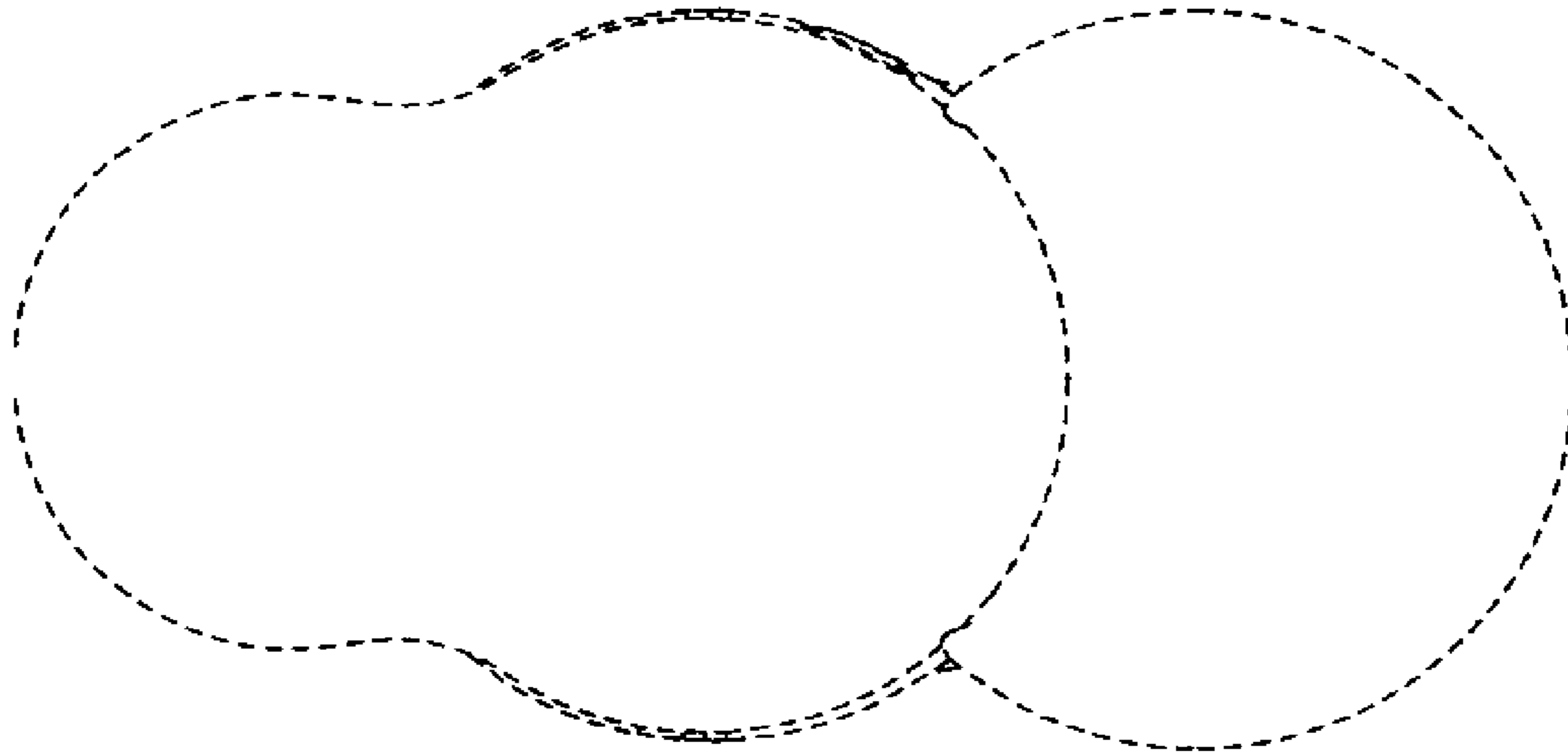


Fig. 35