



US00D549026S

(12) **United States Design Patent**
Parshad

(10) **Patent No.:** **US D549,026 S**

(45) **Date of Patent:** **** Aug. 21, 2007**

(54) **SHELF**

(75) **Inventor:** **David Parshad**, Markham (CA)

(73) **Assignee:** **Inscape Corporation**, Holland Landing,
Ontario (CA)

(**) **Term:** **14 Years**

(21) **Appl. No.:** **29/258,996**

(22) **Filed:** **May 2, 2006**

(51) **LOC (8) Cl.** **06-04**

(52) **U.S. Cl.** **D6/574**

(58) **Field of Classification Search** D6/553,
D6/567, 572, 574, 511; 108/27, 29; 211/13.1,
211/32, 86.01, 87.01, 88.01, 90.01, 90.03,
211/126.1, 134, 181.1
See application file for complete search history.

(56) **References Cited**

U.S. PATENT DOCUMENTS

D146,280 S *	1/1947	Goddard	D6/574
4,655,351 A *	4/1987	Walker	211/88.01
D325,309 S	4/1992	Worrell		
5,172,969 A	12/1992	Reuter et al.		
D339,934 S	10/1993	Reuter		
6,591,555 B2	7/2003	King et al.		
2002/0108330 A1	8/2002	Yu et al.		
2004/0154233 A1	8/2004	Hodges		

OTHER PUBLICATIONS

Allsteel "Terrace"—2 sheets (undated).
Haworth "Premise"—s sheets (undated).
KI "Wireworks"—1 sheet (undated).
Knoll "Reuter Bin"—1 sheet (undated).
KI "PKB"—1 sheet (undated).

* cited by examiner

Primary Examiner—Brian N Vinson

(74) *Attorney, Agent, or Firm*—Riches, McKenzie &
Herbert LLP

(57) **CLAIM**

I claim the ornamental design for a shelf, as shown.

DESCRIPTION

FIG. 1 is a perspective view of a shelf showing my new design;

FIG. 2 is a front elevation view thereof;

FIG. 3 is a top elevation view thereof;

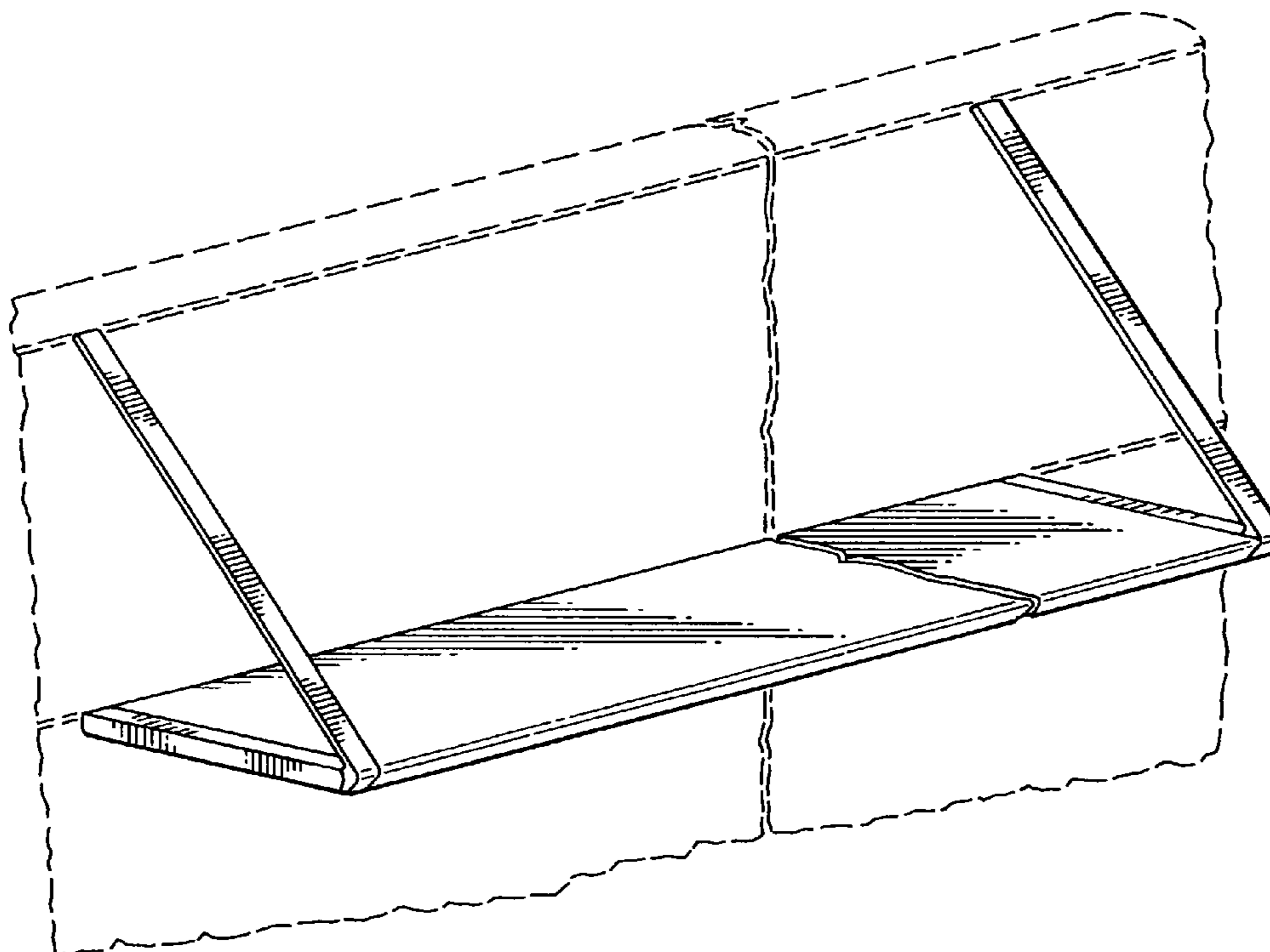
FIG. 4 is a bottom elevation view thereof;

FIG. 5 is a left side elevation view thereof; and,

FIG. 6 is a right side elevation view thereof.

The broken-line disclosure in the views is understood to be for illustrative purposes only and form no part of the claimed design.

1 Claim, 2 Drawing Sheets



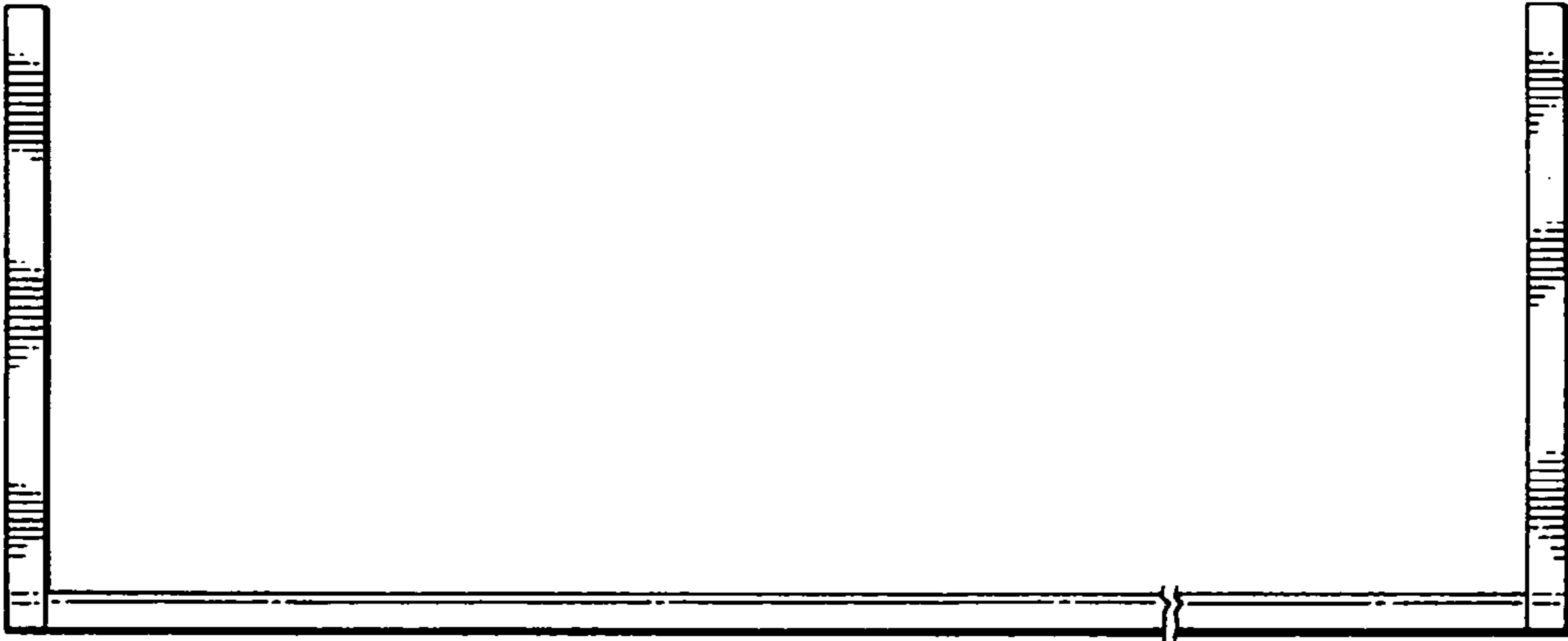
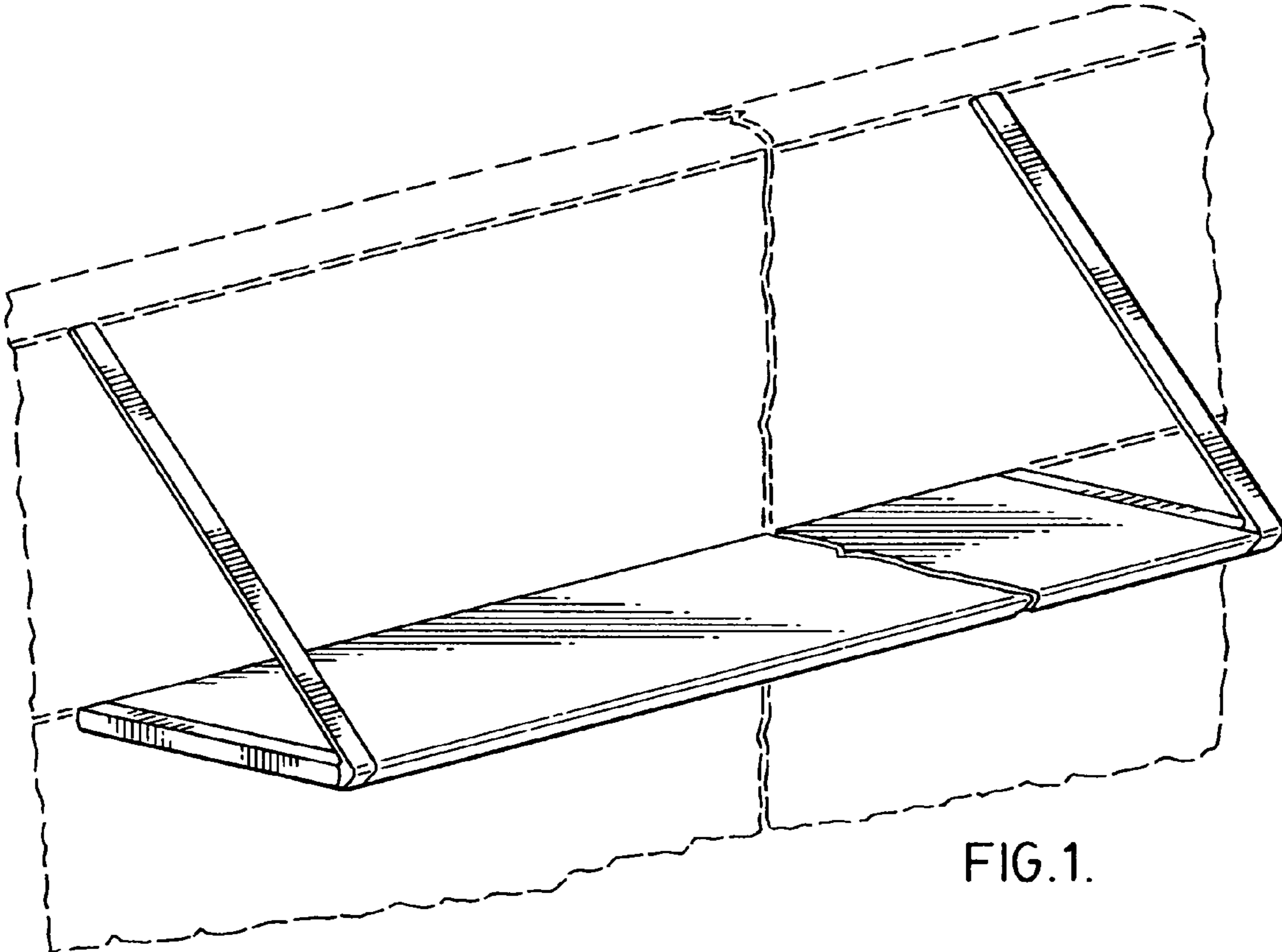


FIG. 2.

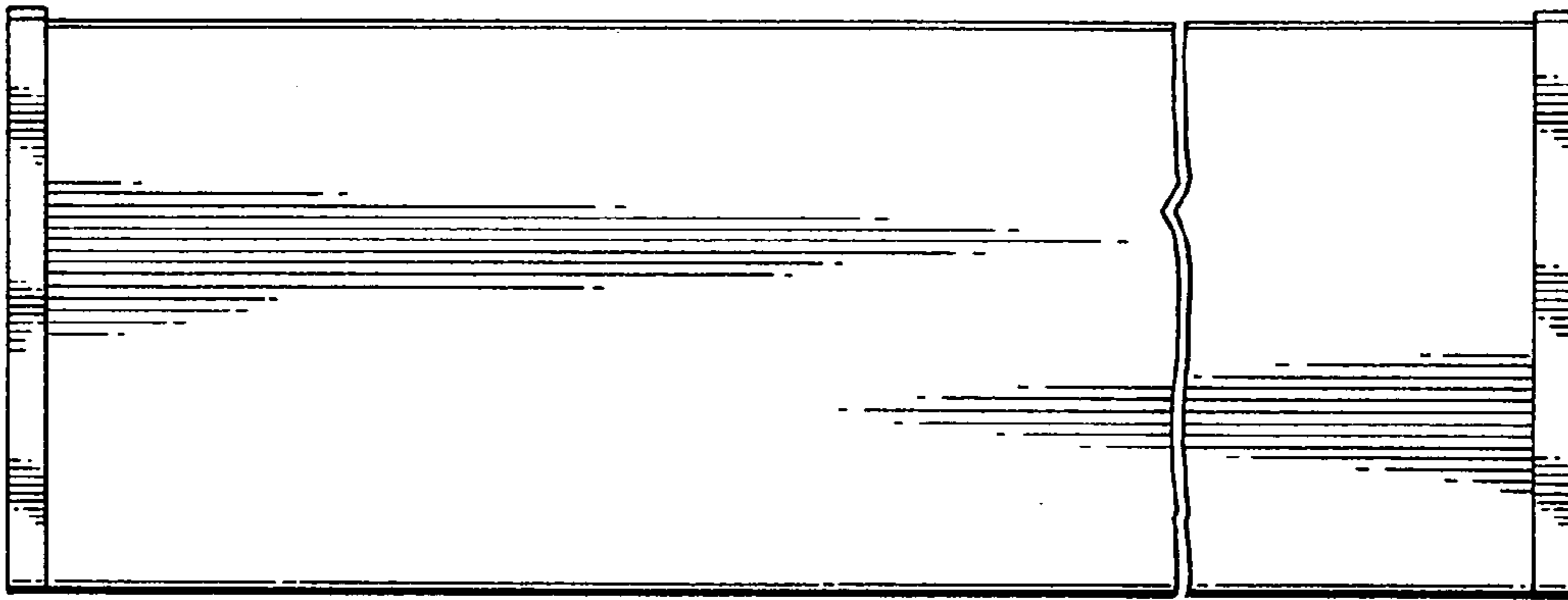


FIG. 3.

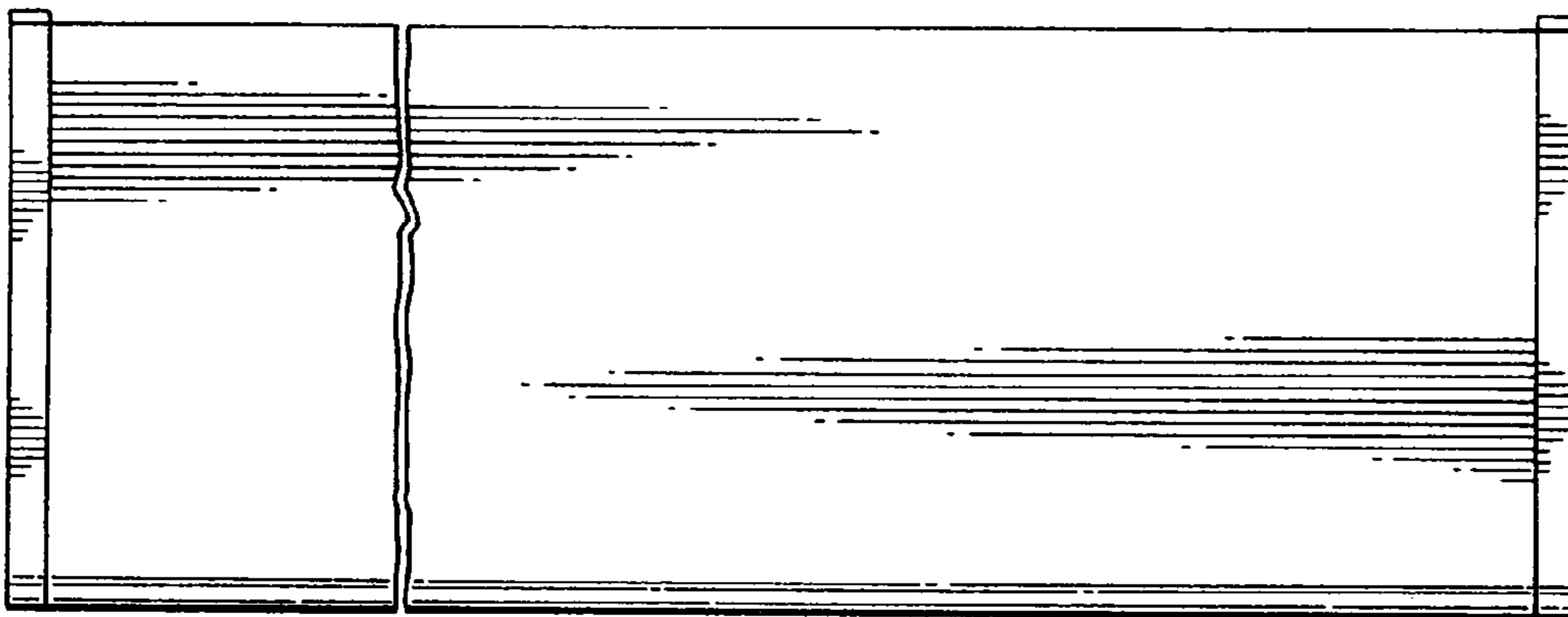


FIG. 4.

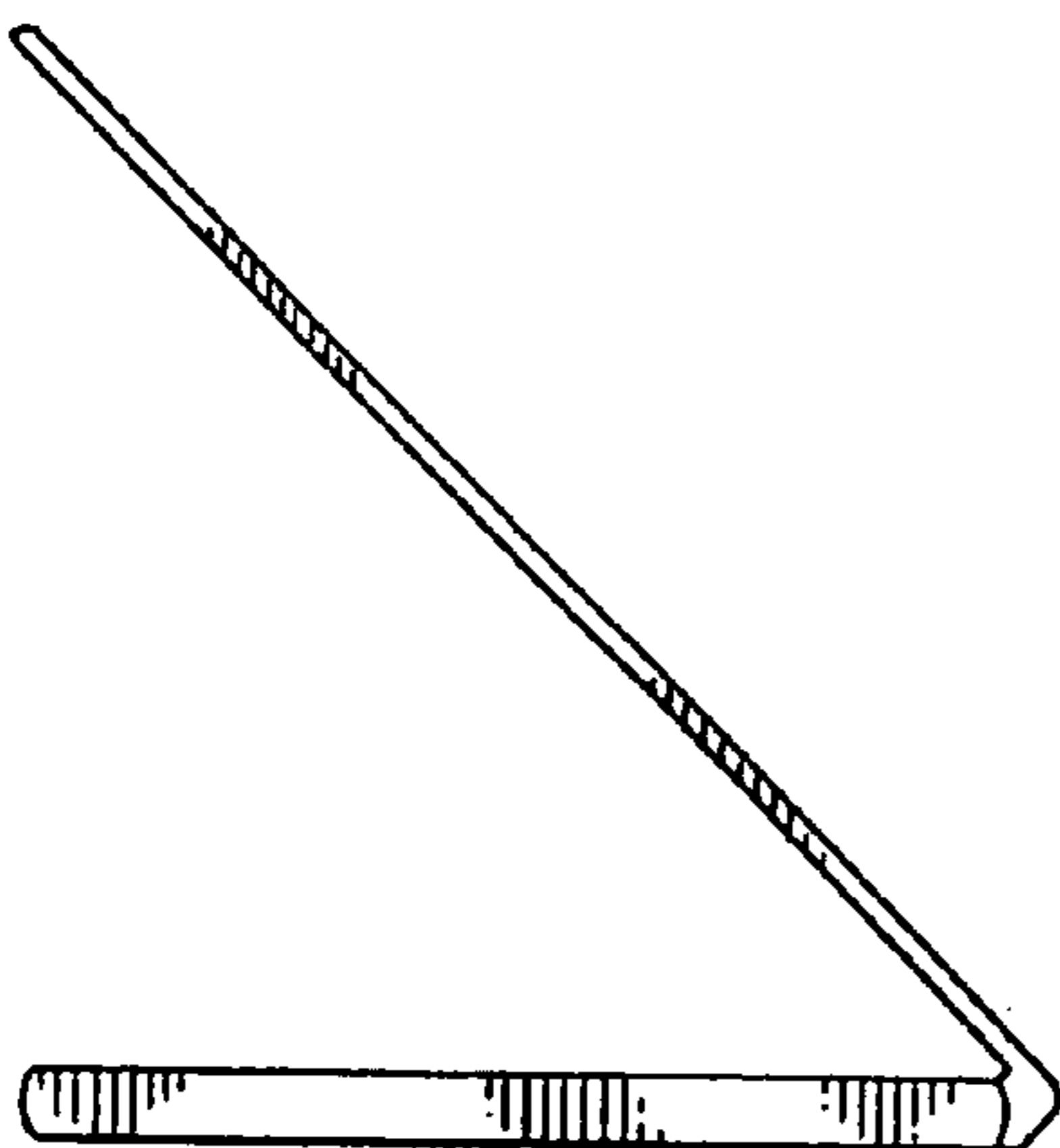


FIG. 5.

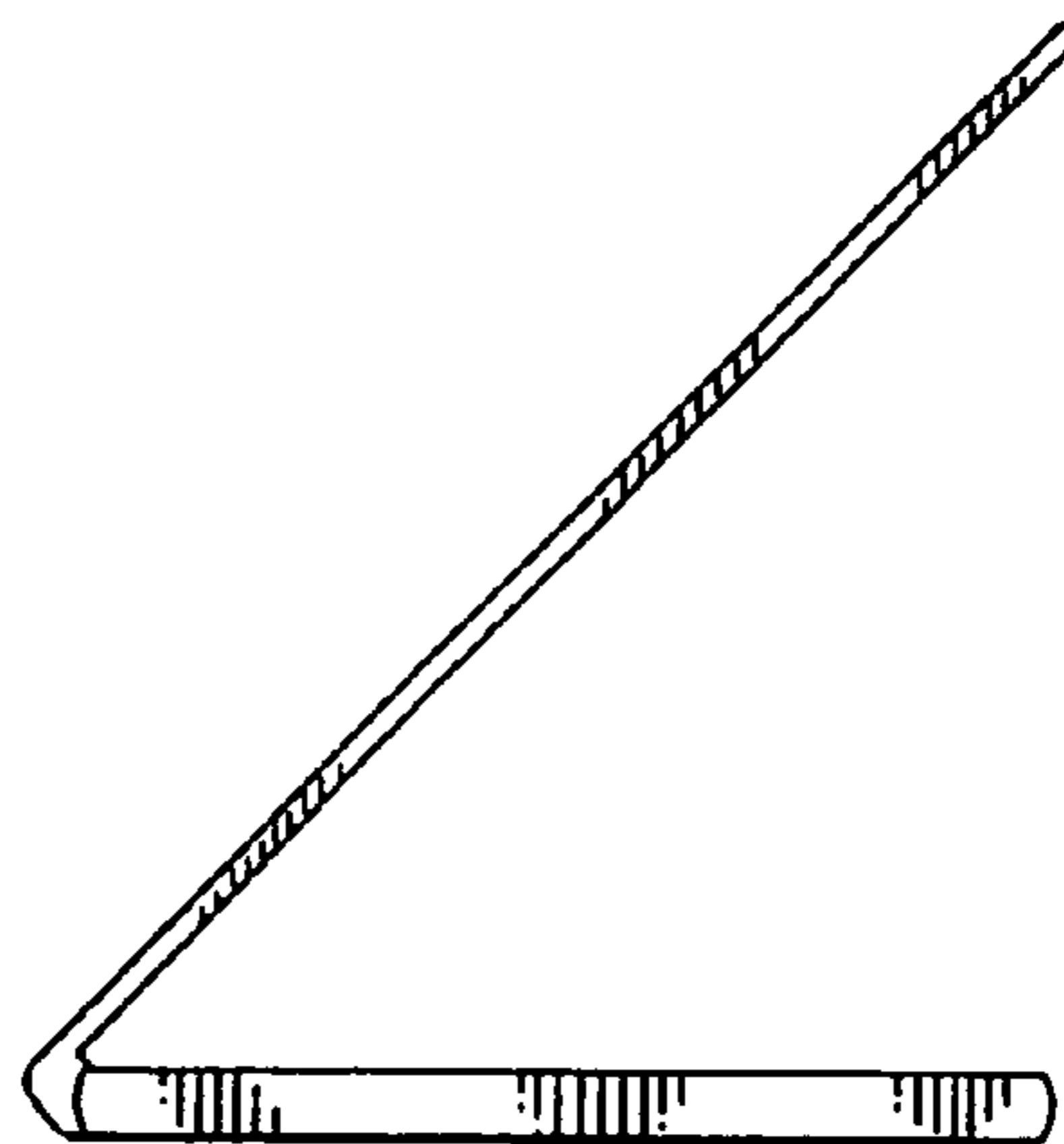


FIG. 6.