

US00D549024S

(12) **United States Design Patent**  
**Fuentes**

(10) **Patent No.:** **US D549,024 S**

(45) **Date of Patent:** **\*\* Aug. 21, 2007**

(54) **TOOTHBRUSH CLEANING HOLDER**

(76) **Inventor:** **Jorge S. Fuentes**, 29361 Ryan La.,  
Canyon Country, CA (US) 91387

(\*\*) **Term:** **14 Years**

(21) **Appl. No.:** **29/247,252**

(22) **Filed:** **Jun. 8, 2006**

(51) **LOC (8) Cl.** ..... **23-02**

(52) **U.S. Cl.** ..... **D6/534**

(58) **Field of Classification Search** ..... D6/524,  
D6/534, 526-528; 206/208-209, 209.1,  
206/228, 361-362, 362.1, 362.2, 362.3; 211/13.1,  
211/70.6, 65-66

See application file for complete search history.

(56) **References Cited**

**U.S. PATENT DOCUMENTS**

1,278,789 A	9/1918	Thompson	
1,716,842 A	6/1929	Sulak	
1,987,472 A	1/1935	Feldon	
4,585,119 A	4/1986	Boyington	
D327,194 S *	6/1992	Merkel	D6/534
D394,133 S	5/1998	Mead	
6,135,279 A	10/2000	Dryer	
D441,234 S *	5/2001	Root	D6/534
D475,564 S *	6/2003	McCurrach et al.	D6/534
D478,756 S *	8/2003	Hood	D6/534

6,601,699 B1	8/2003	Naredo	
D481,572 S *	11/2003	Dretzka	D6/534
D493,646 S *	8/2004	Hoernig	D6/534
6,776,296 B2 *	8/2004	Herren	211/66
D498,958 S *	11/2004	Henry	D6/534
D502,546 S *	3/2005	Shin	D6/534
D504,587 S *	5/2005	Root	D6/534
2004/0211683 A1	10/2004	Barham et al.	

\* cited by examiner

*Primary Examiner*—Brian N Vinson

(57) **CLAIM**

The ornamental design for a toothbrush cleaning holder, as shown and described.

**DESCRIPTION**

FIG. 1 is a front elevation view of a toothbrush cleaning holder showing my new design;

FIG. 2 is a rear elevation view;

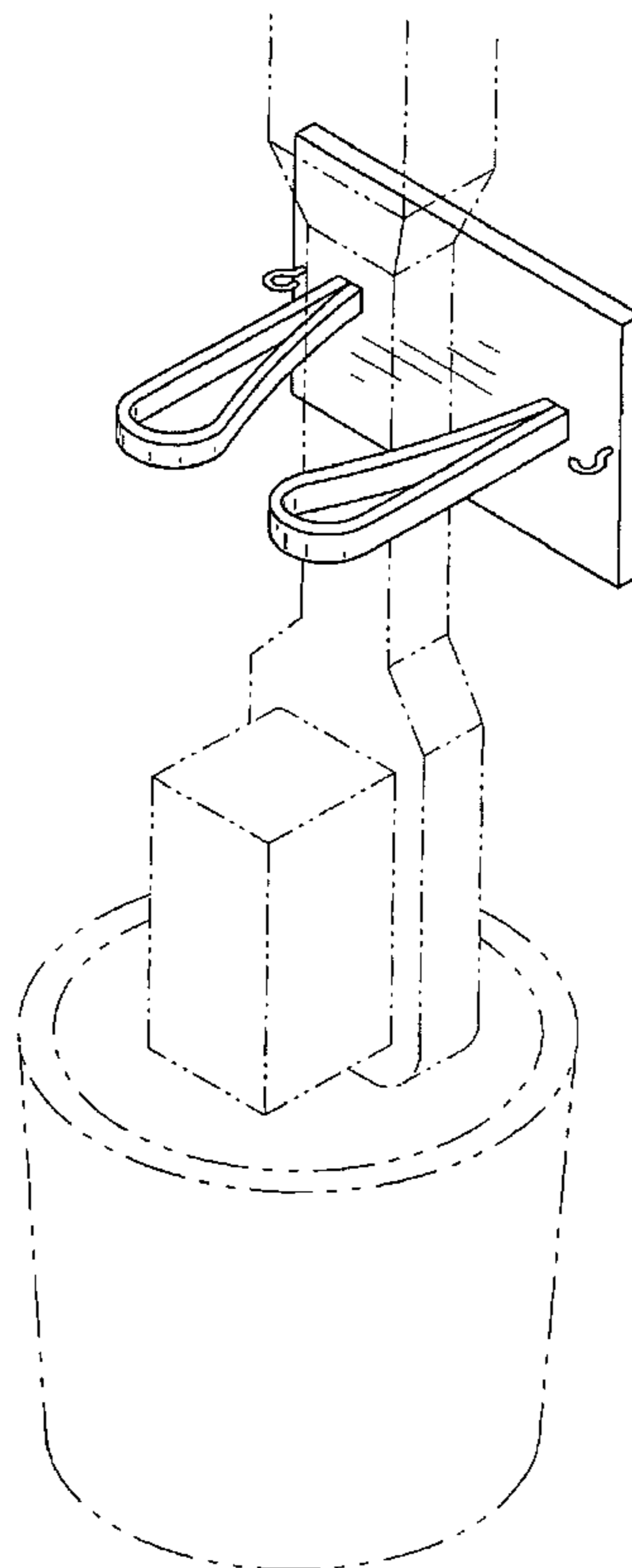
FIG. 3 is a side elevation view;

FIG. 4 is a top plan view; and,

FIG. 5 is an in-use perspective view of a toothbrush cleaning holder showing my new design.

The broken lines shown in FIG. 5 are for illustrative purposes only and form no part of the claimed design.

**1 Claim, 3 Drawing Sheets**



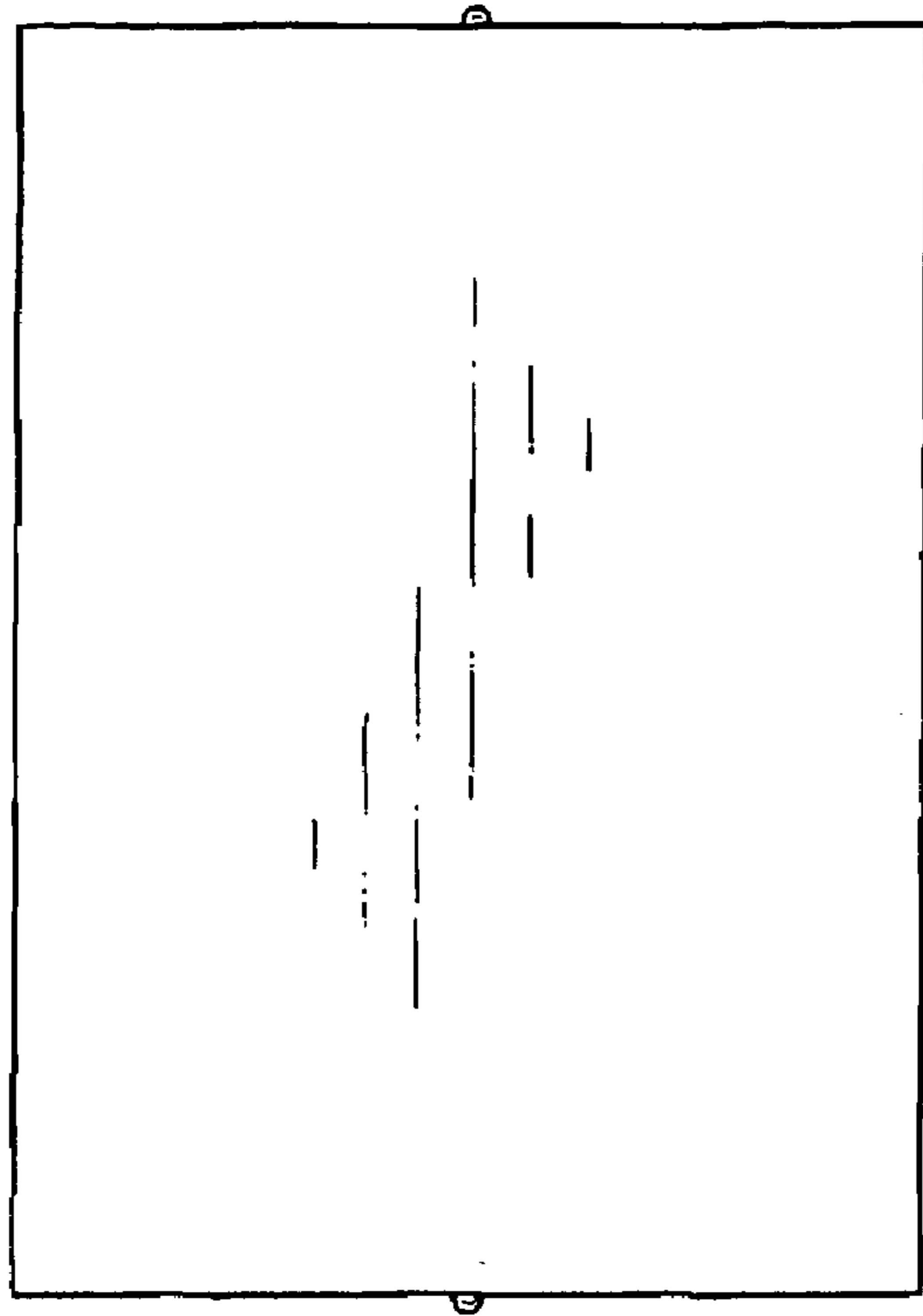


FIG.1

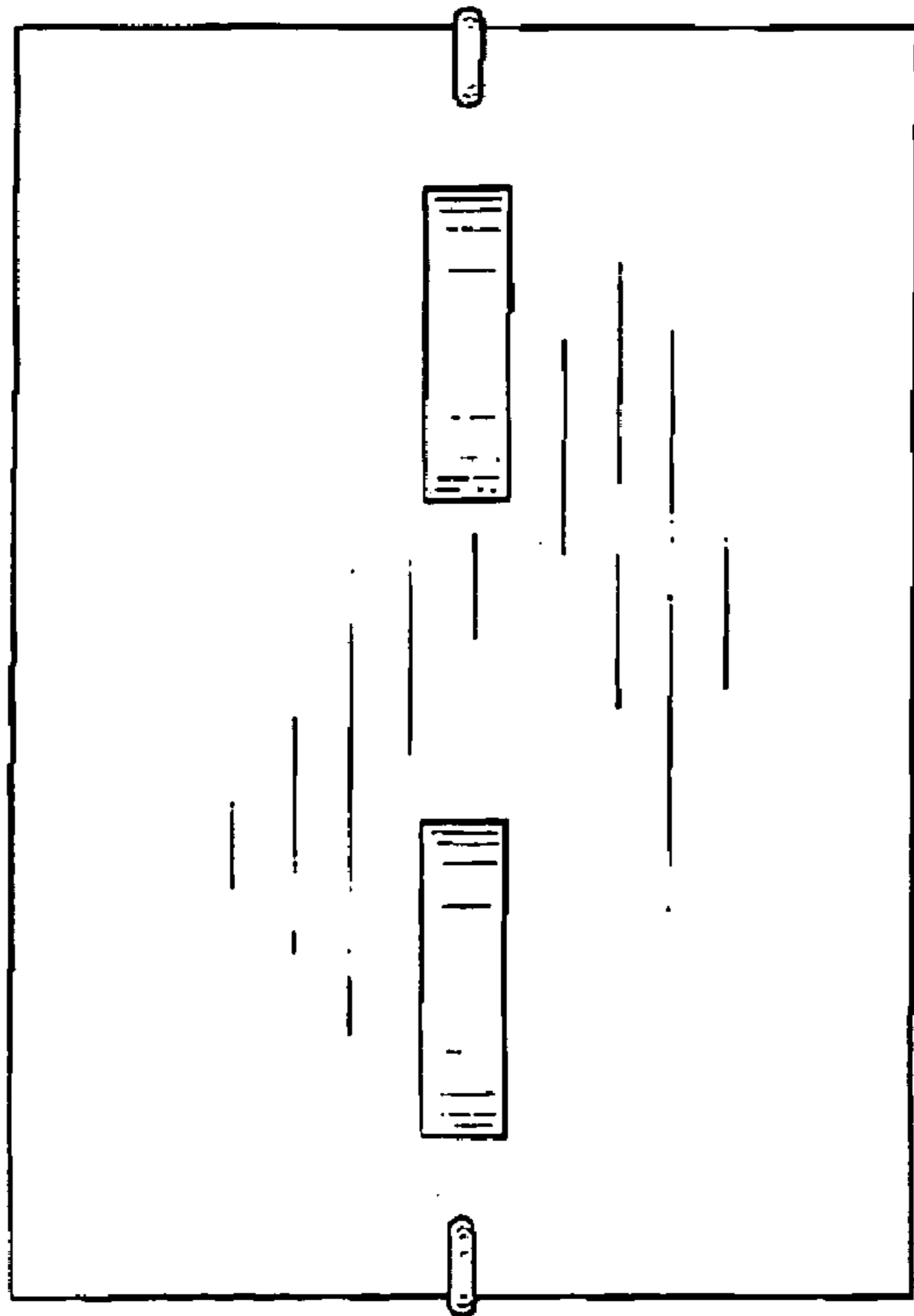


FIG.2

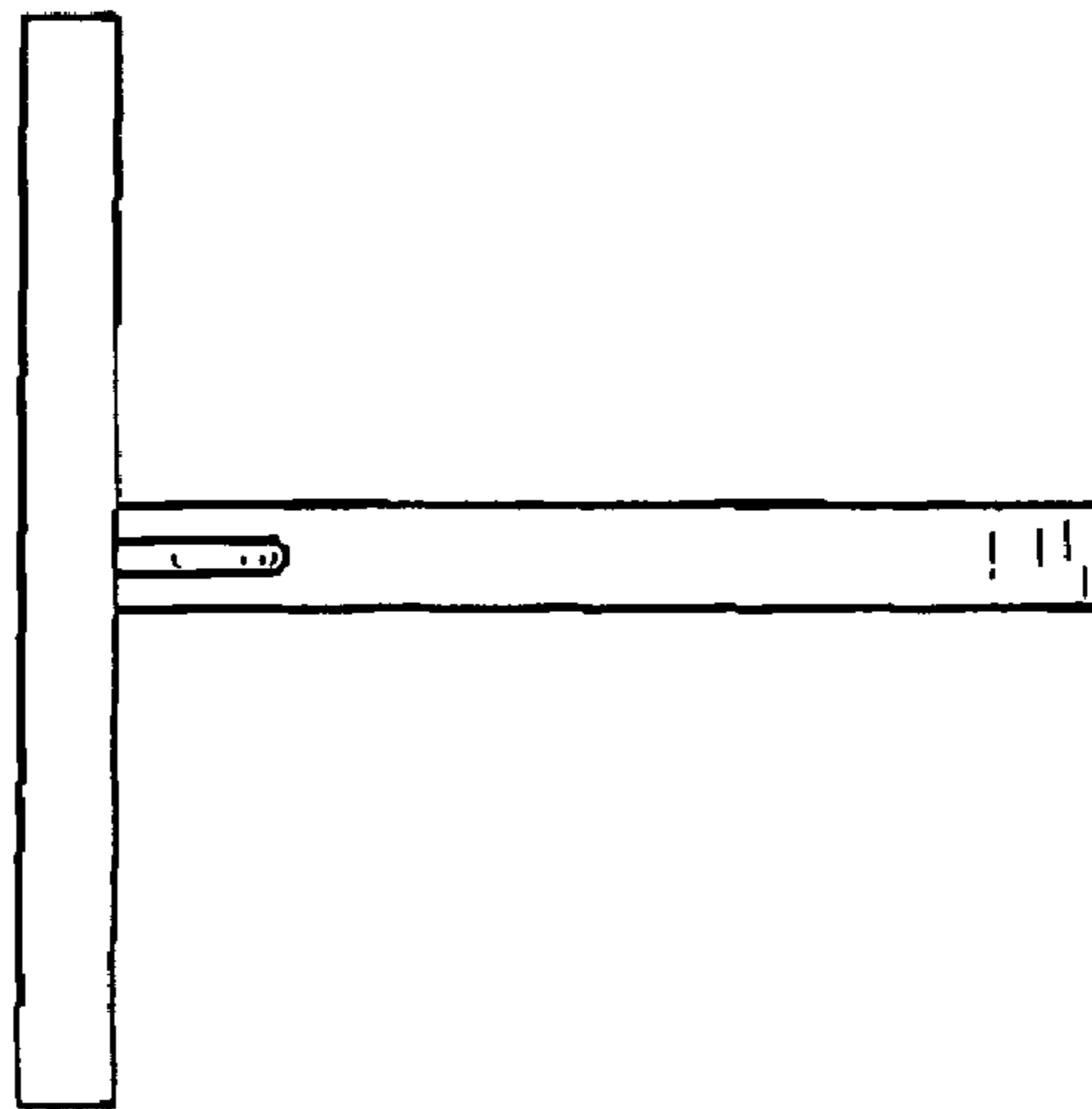


FIG. 3

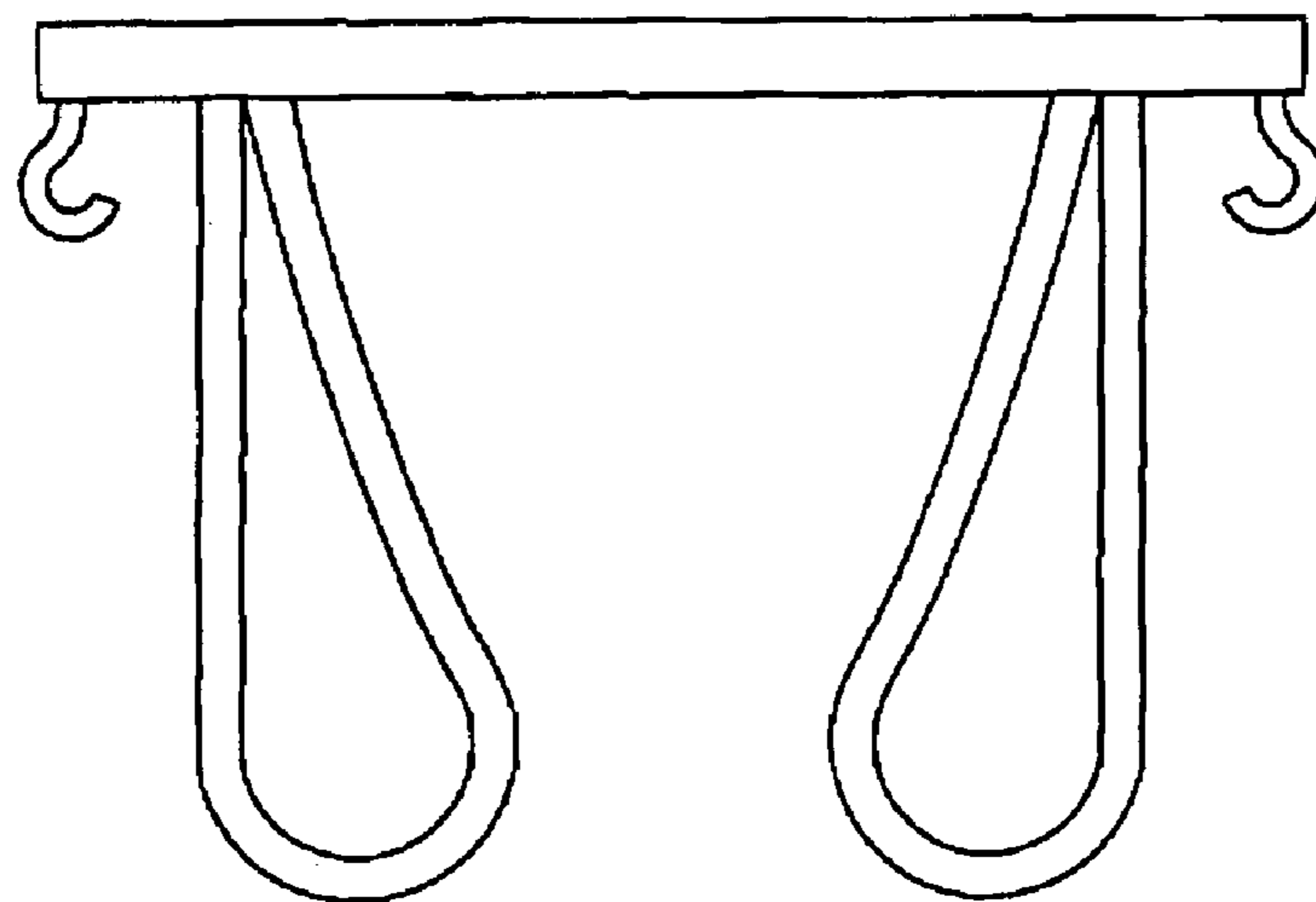


FIG. 4

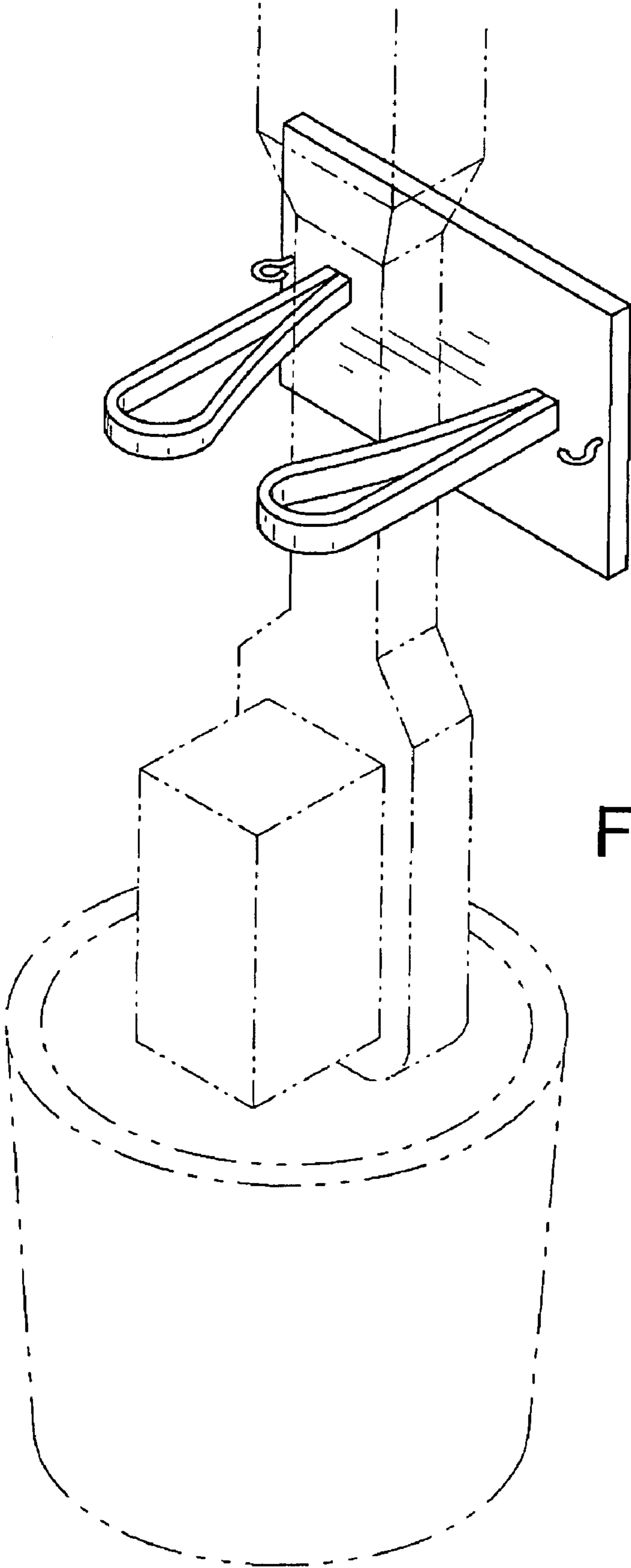


FIG.5