

US00D549023S

(12) **United States Design Patent**
Sedwick

(10) **Patent No.:** **US D549,023 S**

(45) **Date of Patent:** **** Aug. 21, 2007**

(54) **ACCESSORY POST**

(75) Inventor: **Jennifer P. Sedwick**, Lakewood, OH
(US)

(73) Assignee: **Moen Incorporated**, North Olmsted,
OH (US)

(**) Term: **14 Years**

(21) Appl. No.: **29/263,128**

(22) Filed: **Jul. 17, 2006**

(51) **LOC (8) Cl.** **23-02**

(52) **U.S. Cl.** **D6/524; D6/550**

(58) **Field of Classification Search** D6/546-550,
D6/518-523; D8/300, 303, 315-321, 349,
D8/354, 363, 373, 380; 108/28-29; 211/13.1,
211/16, 60.1, 100, 86.01, 87.01, 88.01, 88.04,
211/105.1-105.2, 123, 182, 181.1; 248/175,
248/176.1, 251, 302, 309.1; 16/110.1, 412,
16/415; 242/570, 590, 595-598

See application file for complete search history.

(56) **References Cited**

U.S. PATENT DOCUMENTS

D229,400 S	11/1973	Ashley	
D256,865 S *	9/1980	Crowe	D6/550
D296,637 S	7/1988	Fayerman et al.	
D299,604 S	1/1989	Fayerman et al.	
D318,968 S *	8/1991	Poulson	D6/550
D329,559 S	9/1992	Paul	
D334,315 S *	3/1993	Bengtson	D6/524
D409,032 S	5/1999	Kuo	
D412,420 S *	8/1999	Harris	D6/524
D449,952 S	11/2001	Lyndon	
D466,351 S	12/2002	Tai	

D476,837 S	7/2003	Hoernig	
D476,840 S	7/2003	Hoernig	
D476,841 S	7/2003	Hoernig	
D477,167 S	7/2003	Hoernig	
D477,169 S	7/2003	Hoernig	
D478,447 S	8/2003	Hoernig	
D504,263 S *	4/2005	Kennard	D6/550

* cited by examiner

Primary Examiner—Brian N Vinson

(74) *Attorney, Agent, or Firm*—Calfee, Halter & Griswold
LLP

(57) **CLAIM**

The ornamental design for an accessory post, as shown and described.

DESCRIPTION

FIG. 1 is a perspective view of an accessory post of the new design;

FIG. 2 is a front elevational view of the accessory post of FIG. 1;

FIG. 3 is a rear elevational view of the accessory post of FIG. 1;

FIG. 4 is a left side elevational view of the accessory post of FIG. 1;

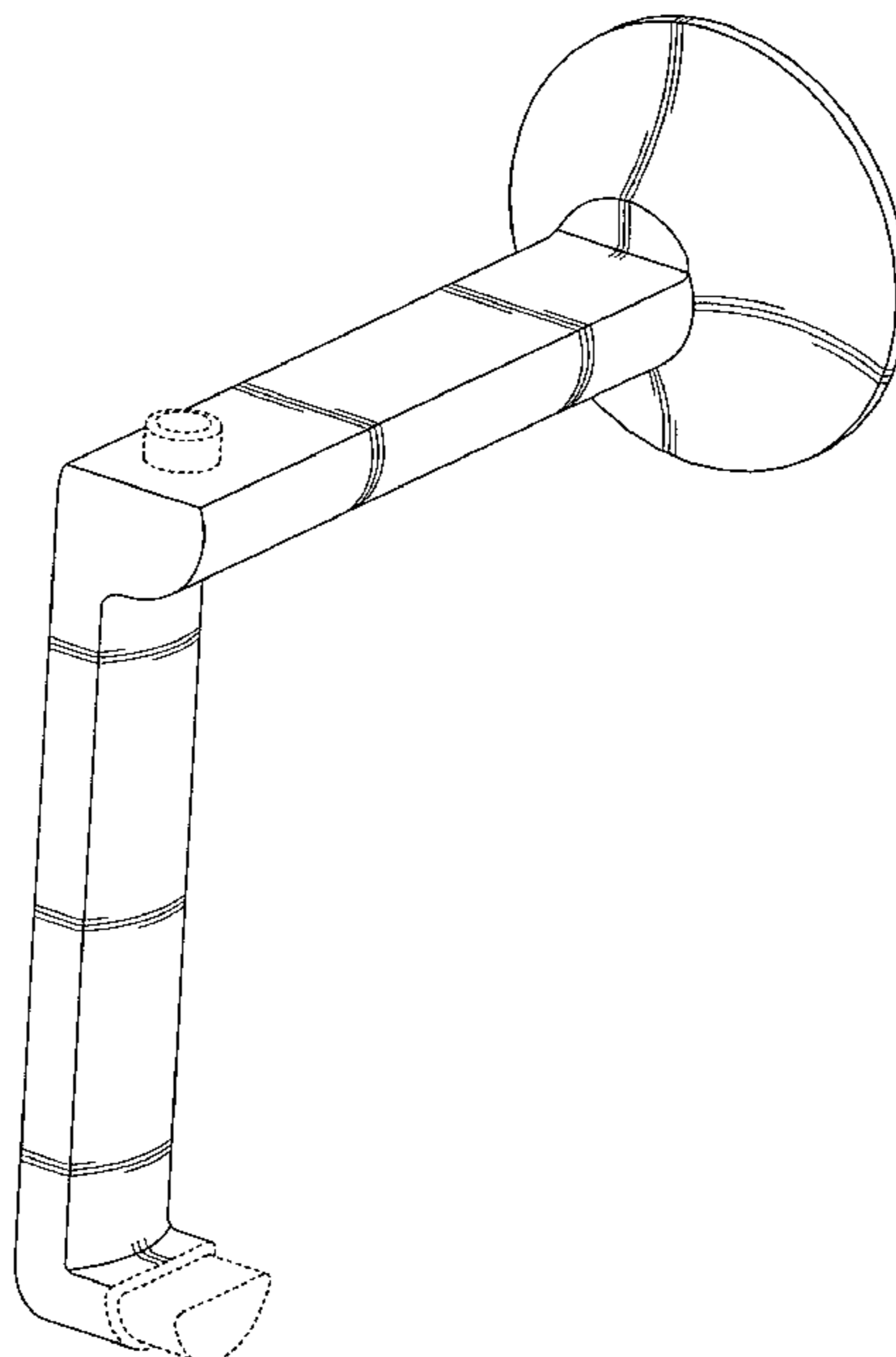
FIG. 5 is a right side elevational view of the accessory post of FIG. 1;

FIG. 6 is a top plan view of the accessory port of FIG. 1; and,

FIG. 7 is a bottom plan view of the accessory post of FIG. 1.

The portions of the Figures shown in broken lines are not part of the claimed design and are for illustration only.

1 Claim, 4 Drawing Sheets



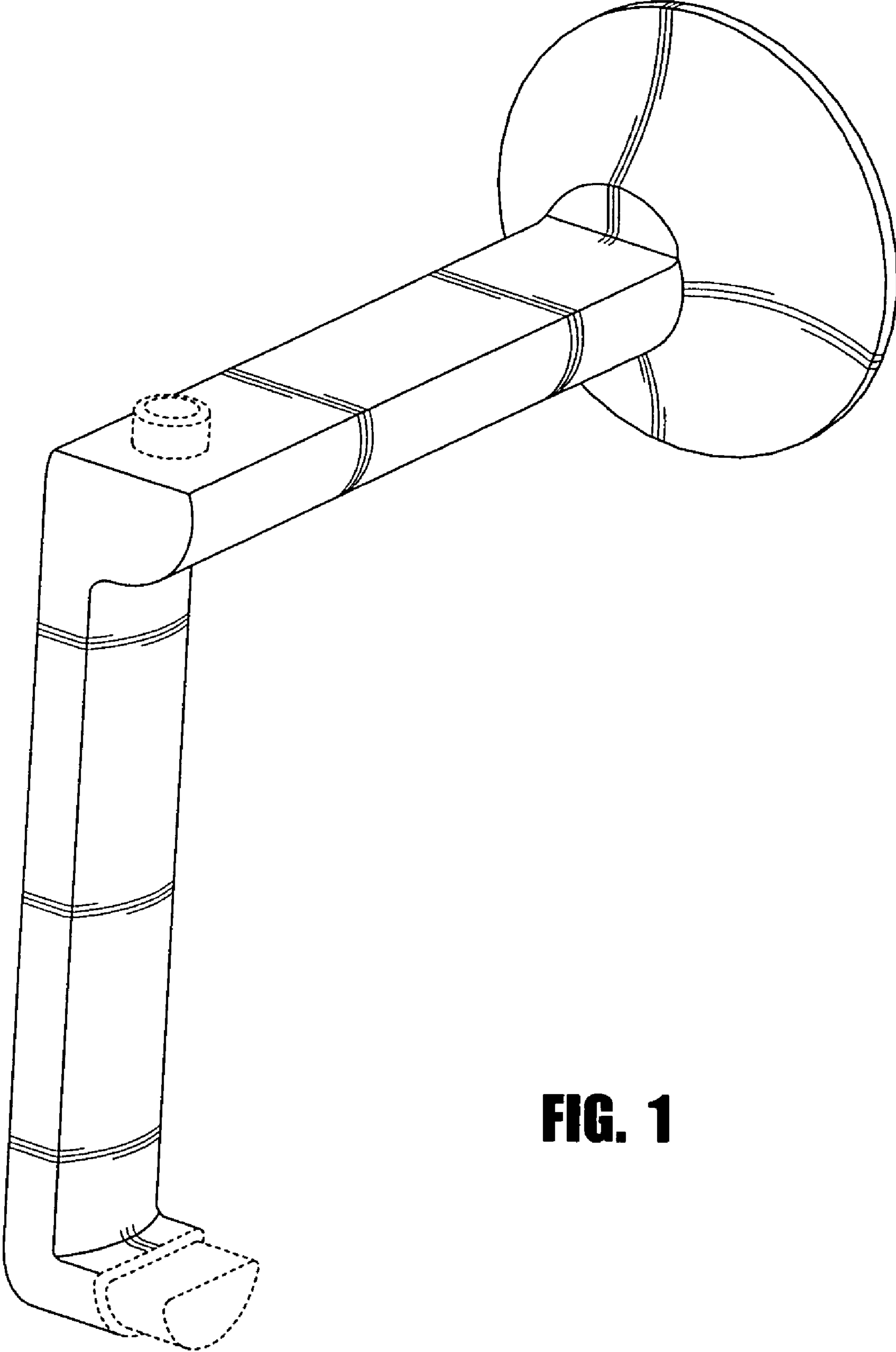


FIG. 1

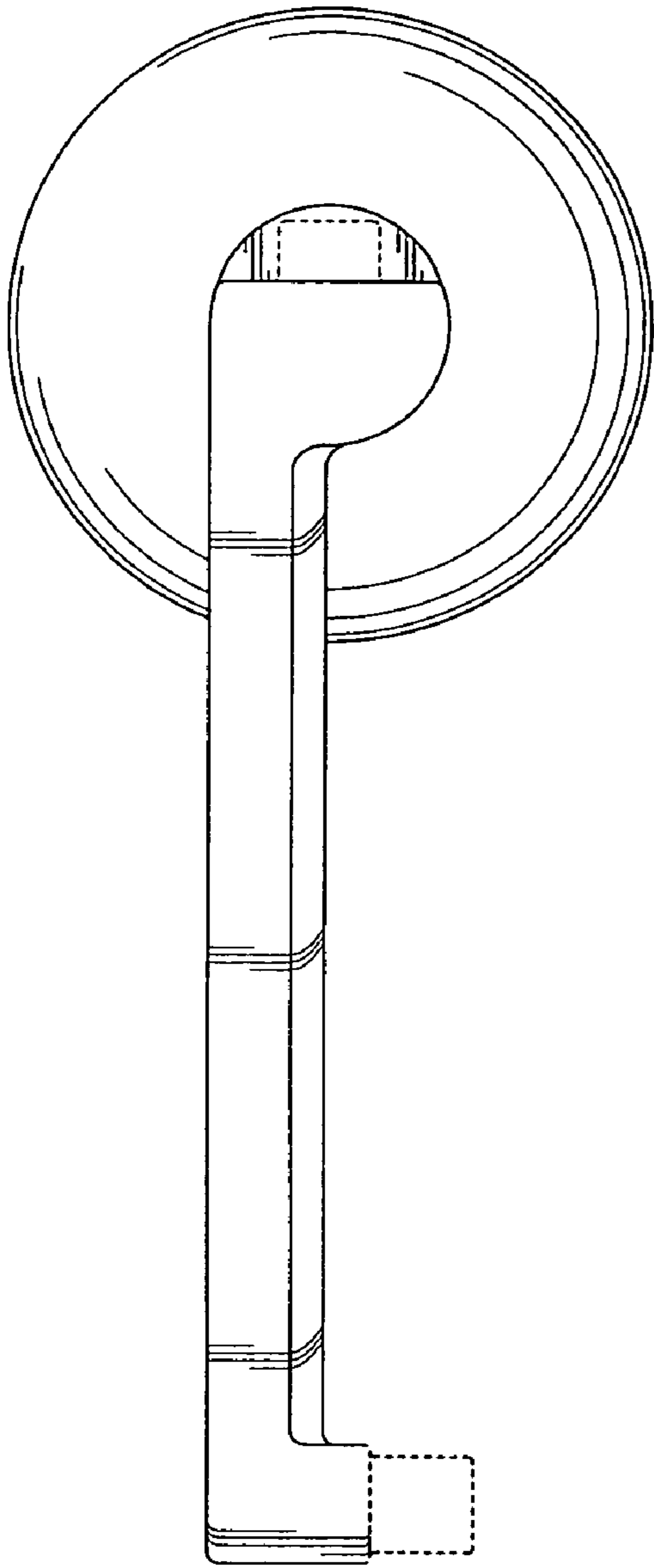


FIG. 2

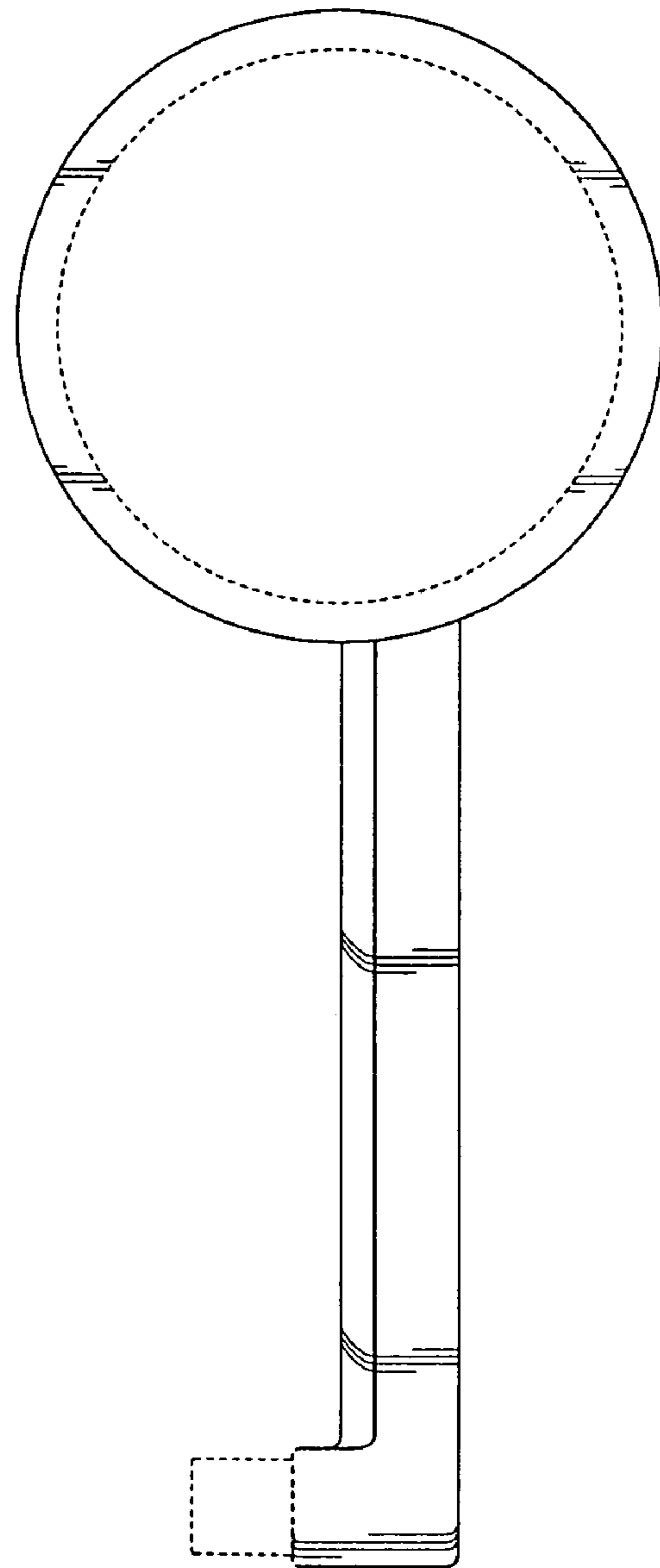


FIG. 3

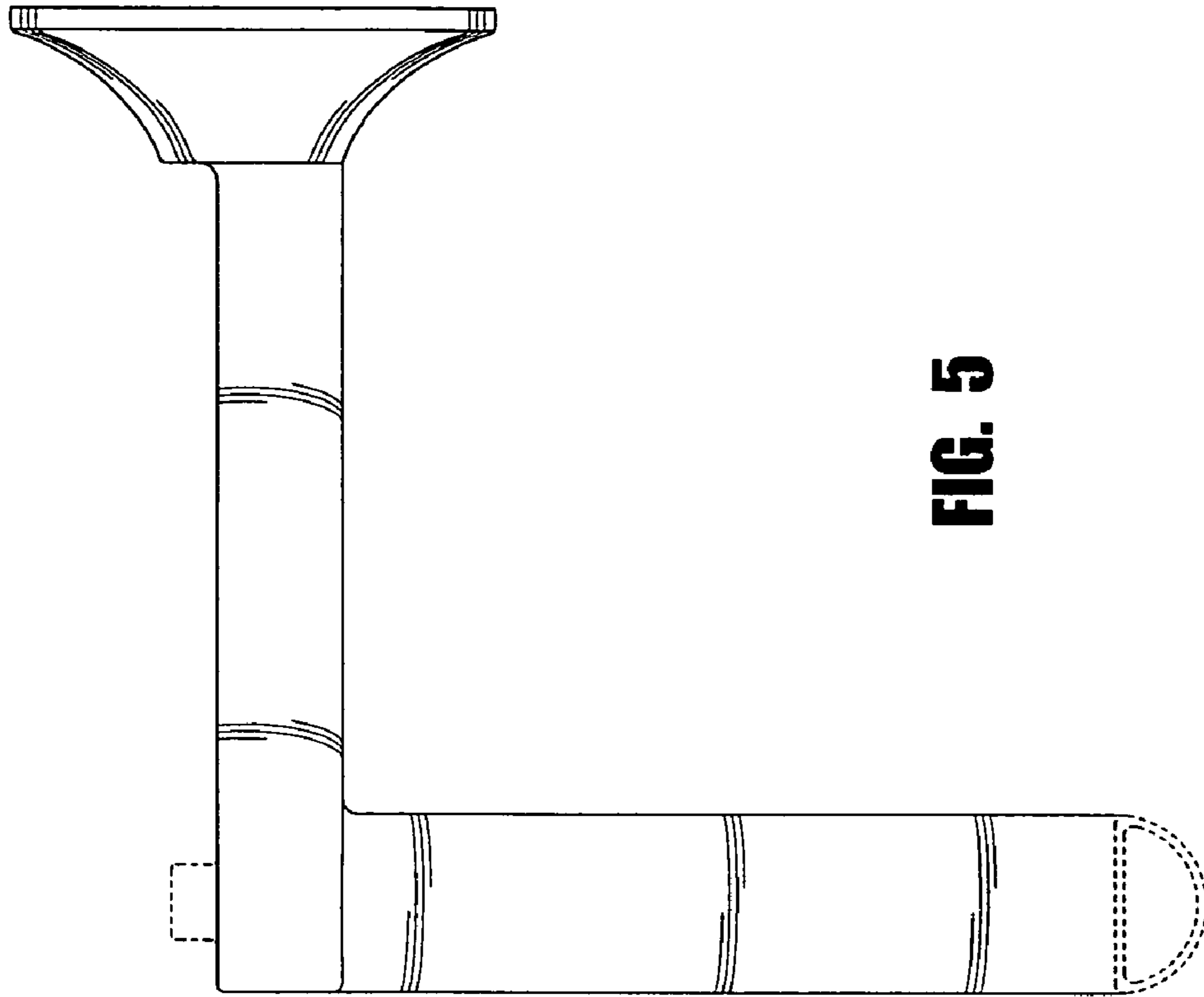


FIG. 5

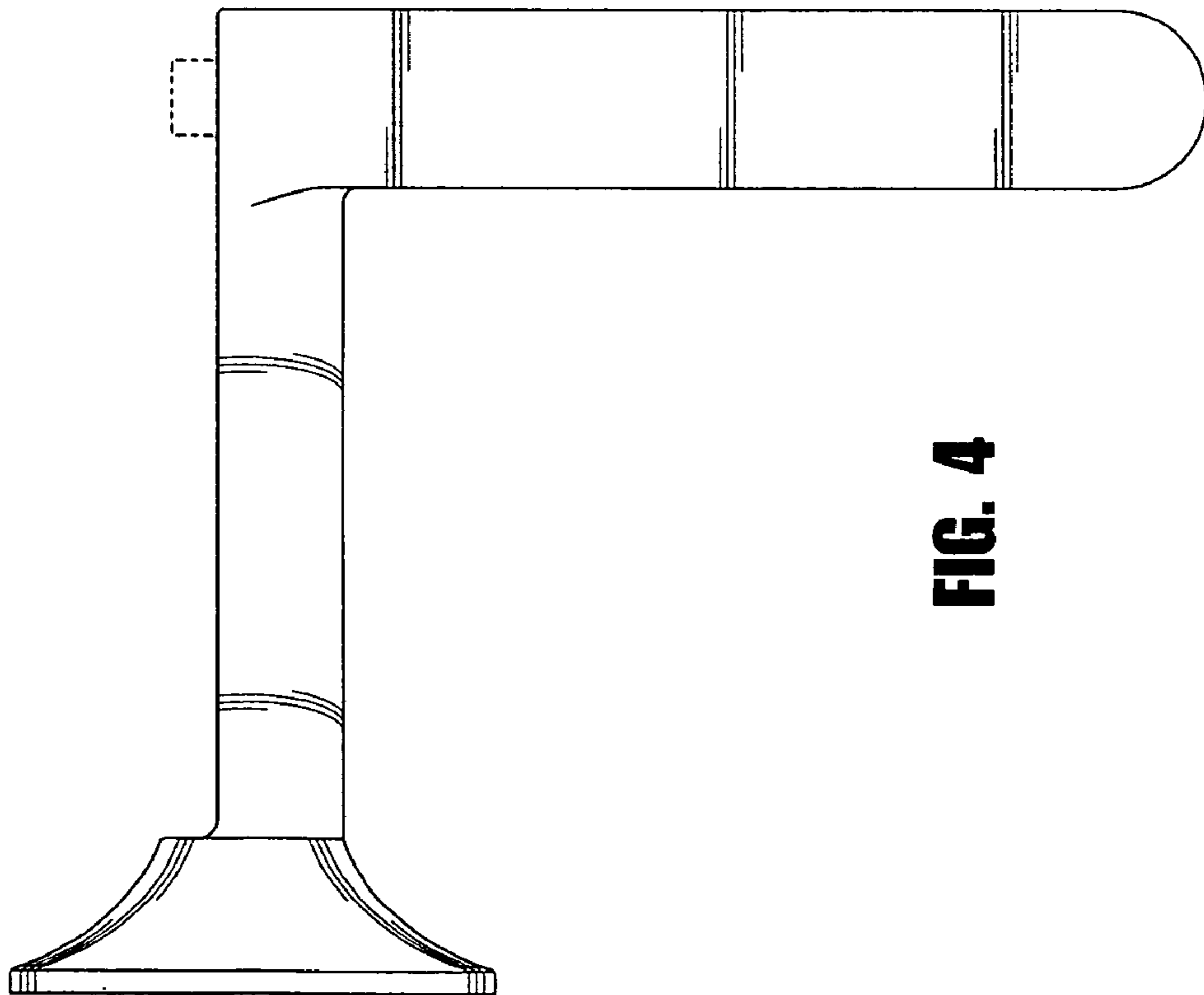


FIG. 4

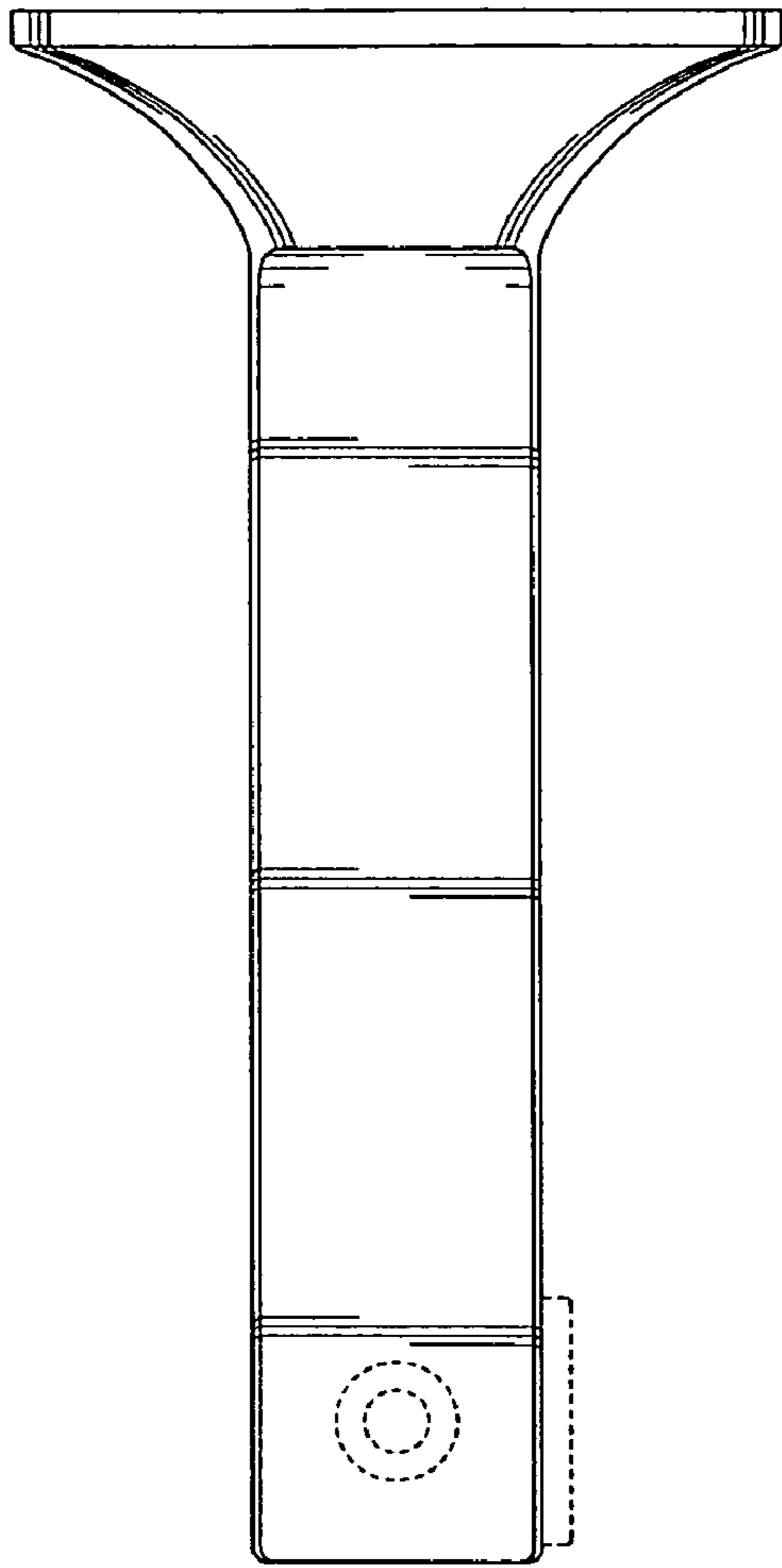


FIG. 6

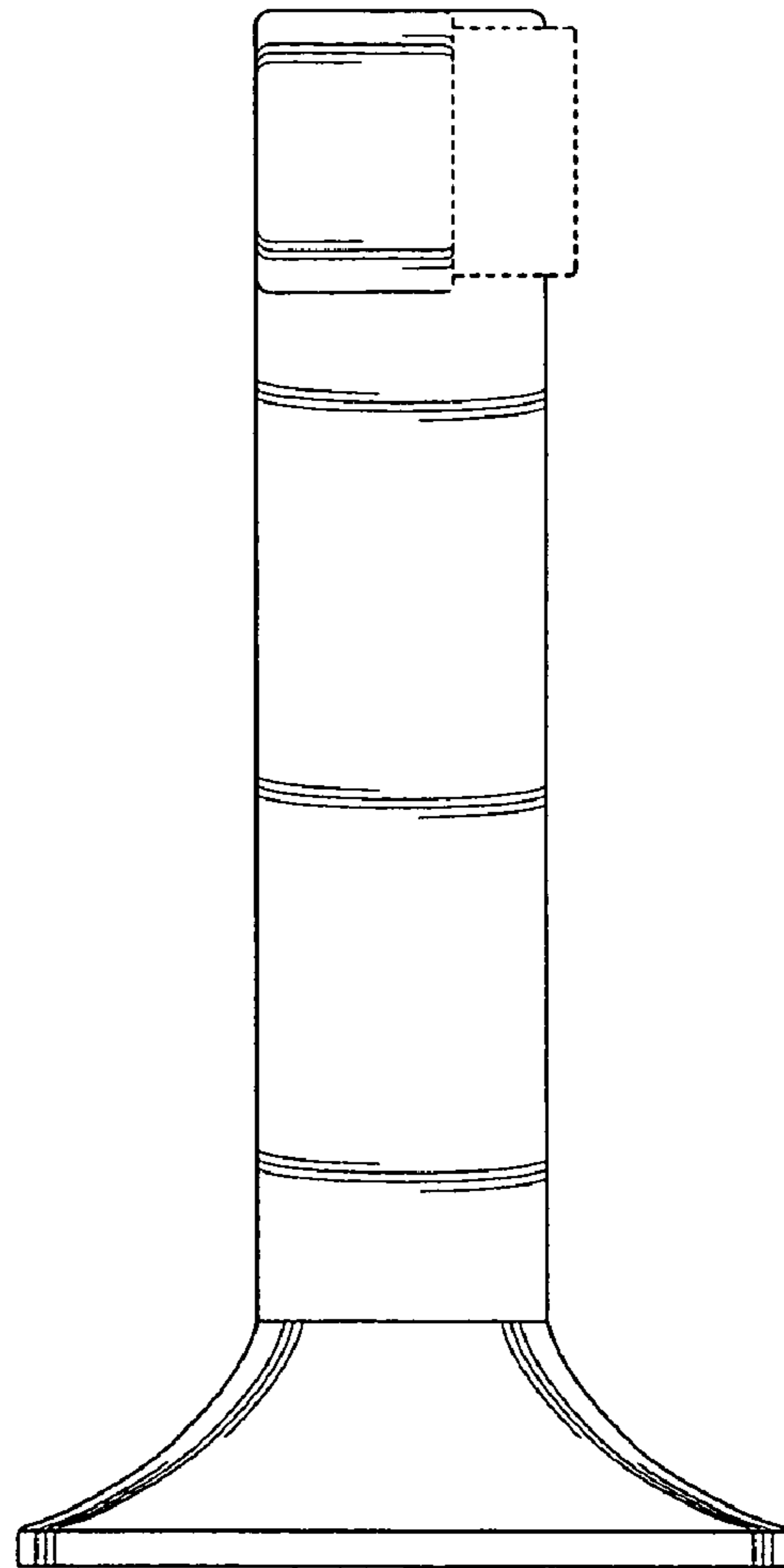


FIG. 7