

US00D549022S

(12) **United States Design Patent**
Gilbert

(10) **Patent No.:** **US D549,022 S**

(45) **Date of Patent:** **** Aug. 21, 2007**

(54) **ACCESSORY POST**

(75) Inventor: **Christopher Jon Gilbert**, Moreland Hills, OH (US)

(73) Assignee: **Moen Incorporated**, North Olmsted, OH (US)

(**) Term: **14 Years**

(21) Appl. No.: **29/262,143**

(22) Filed: **Jun. 27, 2006**

(51) **LOC (8) Cl.** **23-02**

(52) **U.S. Cl.** **D6/524; D6/550**

(58) **Field of Classification Search** D6/546-550, D6/518-523; D8/300, 303, 315-321, 349, D8/354, 363, 373, 380; 108/28-29; 211/13.1, 211/16, 60.1, 100, 86.01, 87.01, 88.01, 88.04, 211/105.1-105.2, 123, 182, 181.1; 248/175, 248/176.1, 251, 302, 309.1; 16/110.1, 412, 16/415; 242/570, 590, 595-598

See application file for complete search history.

(56) **References Cited**

U.S. PATENT DOCUMENTS

1,177,232 A	3/1916	Chisolm
D318,590 S	7/1991	McKeone
D349,208 S	8/1994	Bollenbacher
D357,838 S	5/1995	Lehn et al.
D362,615 S	9/1995	Shames et al.
D389,326 S	1/1998	Moore
D417,994 S	12/1999	Roth et al.
D424,352 S	5/2000	Roth et al.
D451,687 S	12/2001	Sun et al.
D466,737 S	12/2002	Tai
D466,738 S	12/2002	Tai
D478,438 S	8/2003	Solowiej
D488,943 S	4/2004	Bates

D492,525 S	7/2004	Roberts, III et al.
D497,751 S *	11/2004	Roberts et al. D6/524
D497,752 S	11/2004	Roberts, III et al.
D498,381 S	11/2004	Graves et al.
D501,346 S	2/2005	Gilbert
D504,042 S	4/2005	Wu
D505,037 S	5/2005	Gilbert
D508,356 S	8/2005	Gilbert
D514,361 S *	2/2006	Gilbert D6/524

* cited by examiner

Primary Examiner—Brian N Vinson

(74) *Attorney, Agent, or Firm*—Calfee, Halter & Griswold LLP

(57) **CLAIM**

The ornamental design for an accessory post, as shown and described.

DESCRIPTION

FIG. 1 is a perspective view of an accessory post of the new design;

FIG. 2 is a front elevational view of the accessory post of FIG. 1;

FIG. 3 is a rear elevational view of the accessory post of FIG. 1;

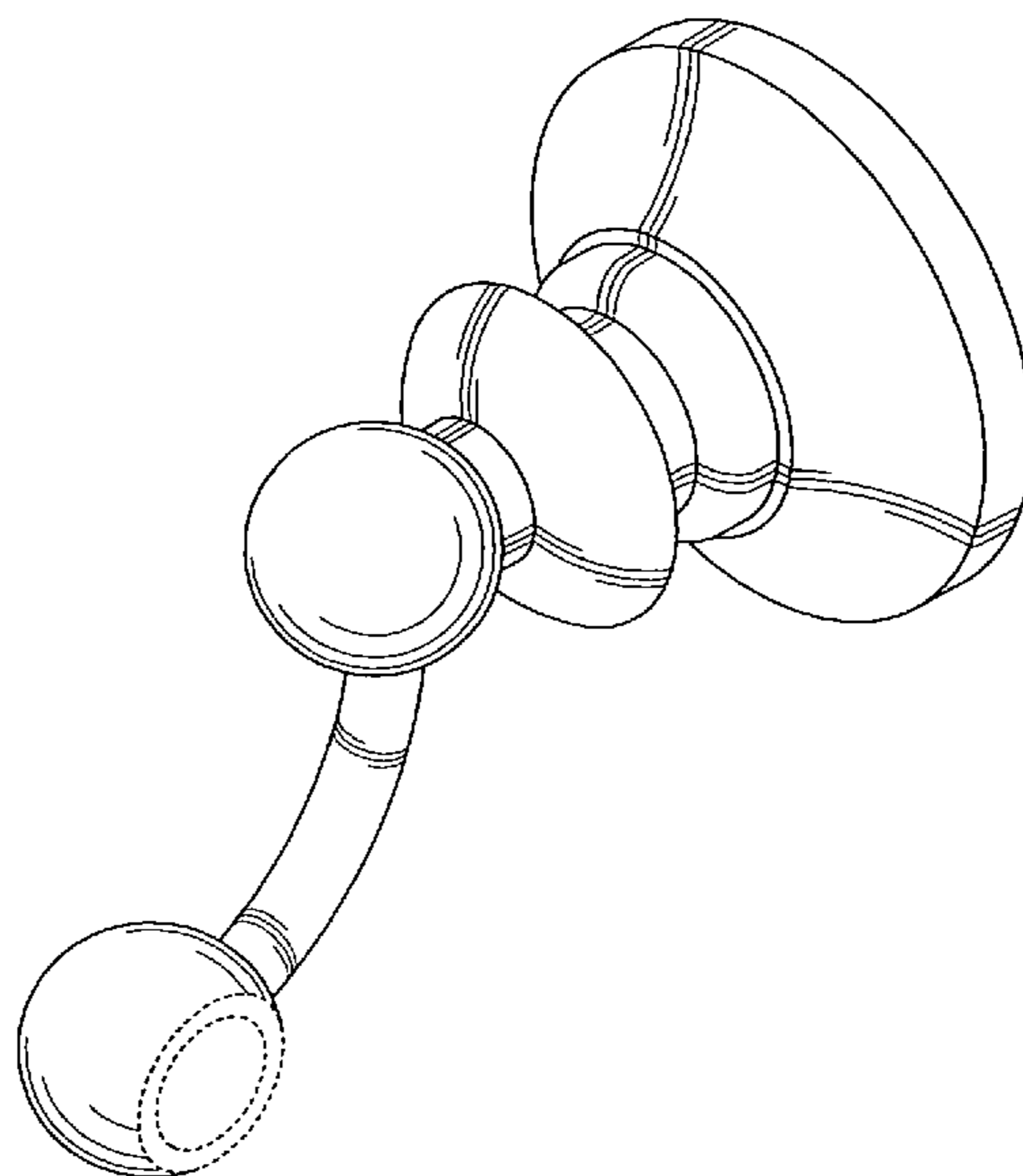
FIG. 4 is a left side elevational view of the accessory post of FIG. 1;

FIG. 5 is a right side elevational view of the accessory post of FIG. 1;

FIG. 6 is a top plan view of the accessory post of FIG. 1; and, FIG. 7 is a bottom plan view of the accessory post of FIG. 1.

The portions of the Figures shown in broken lines are not part of the claimed design and are for illustration only.

1 Claim, 3 Drawing Sheets



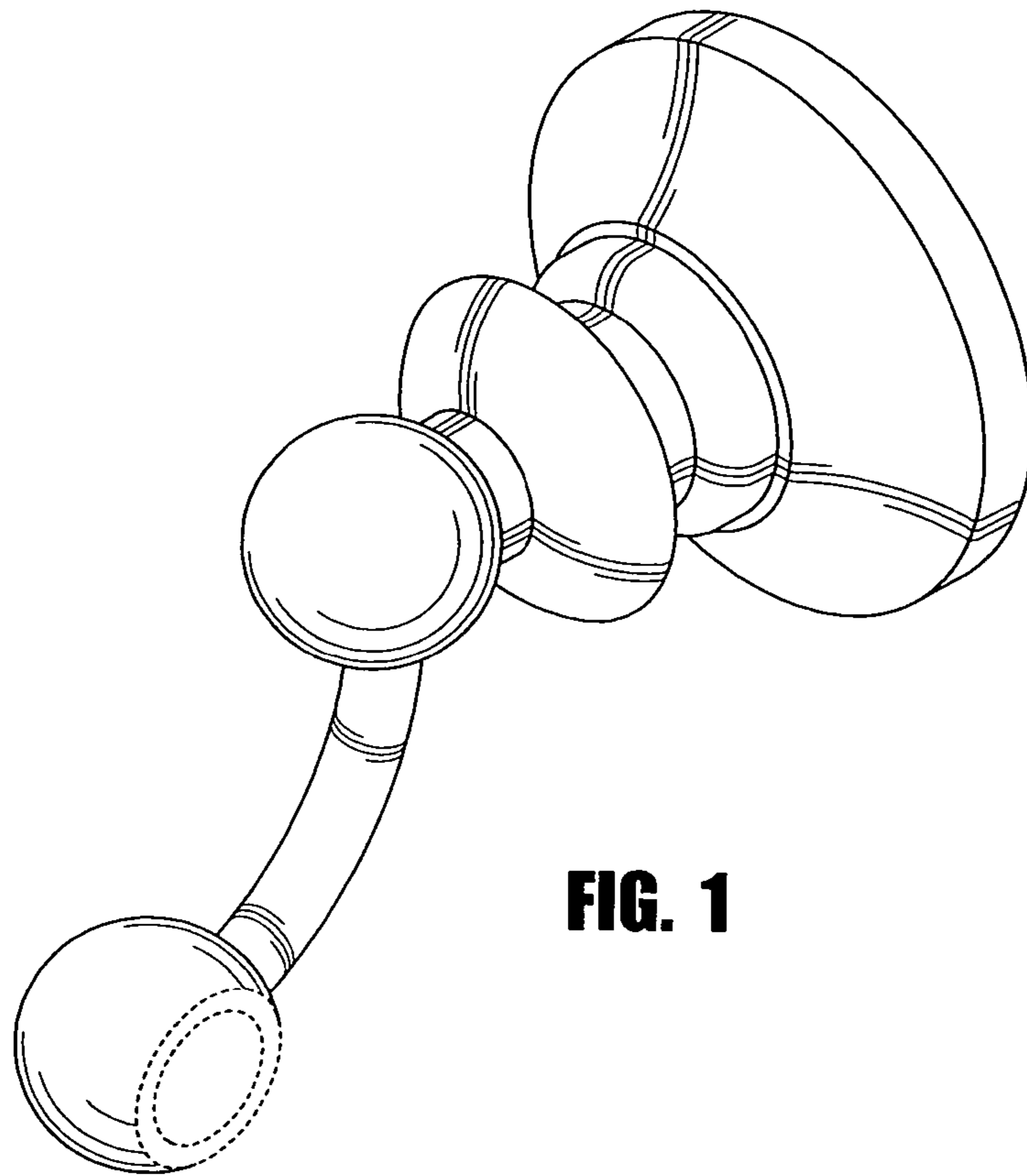


FIG. 1

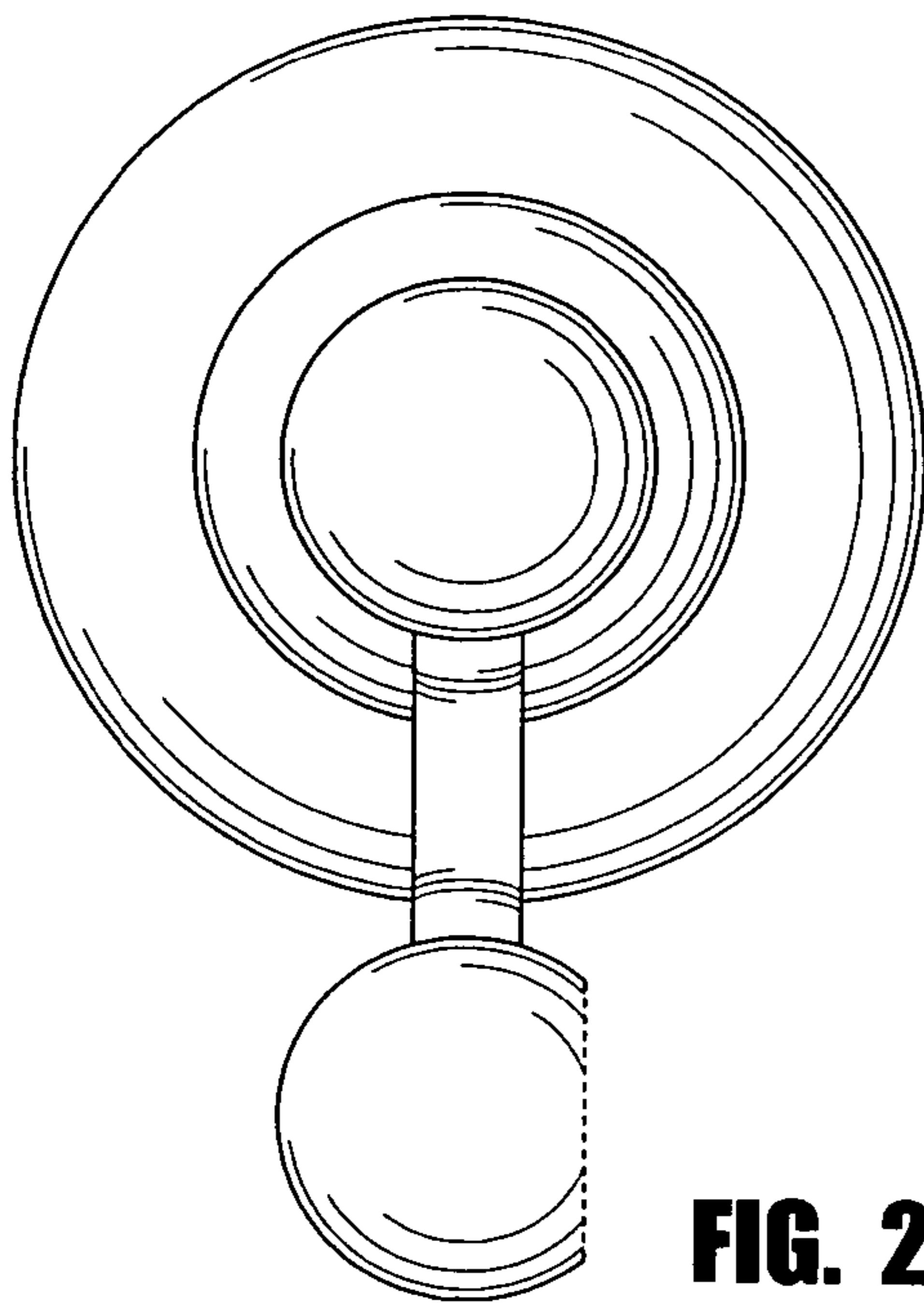


FIG. 2

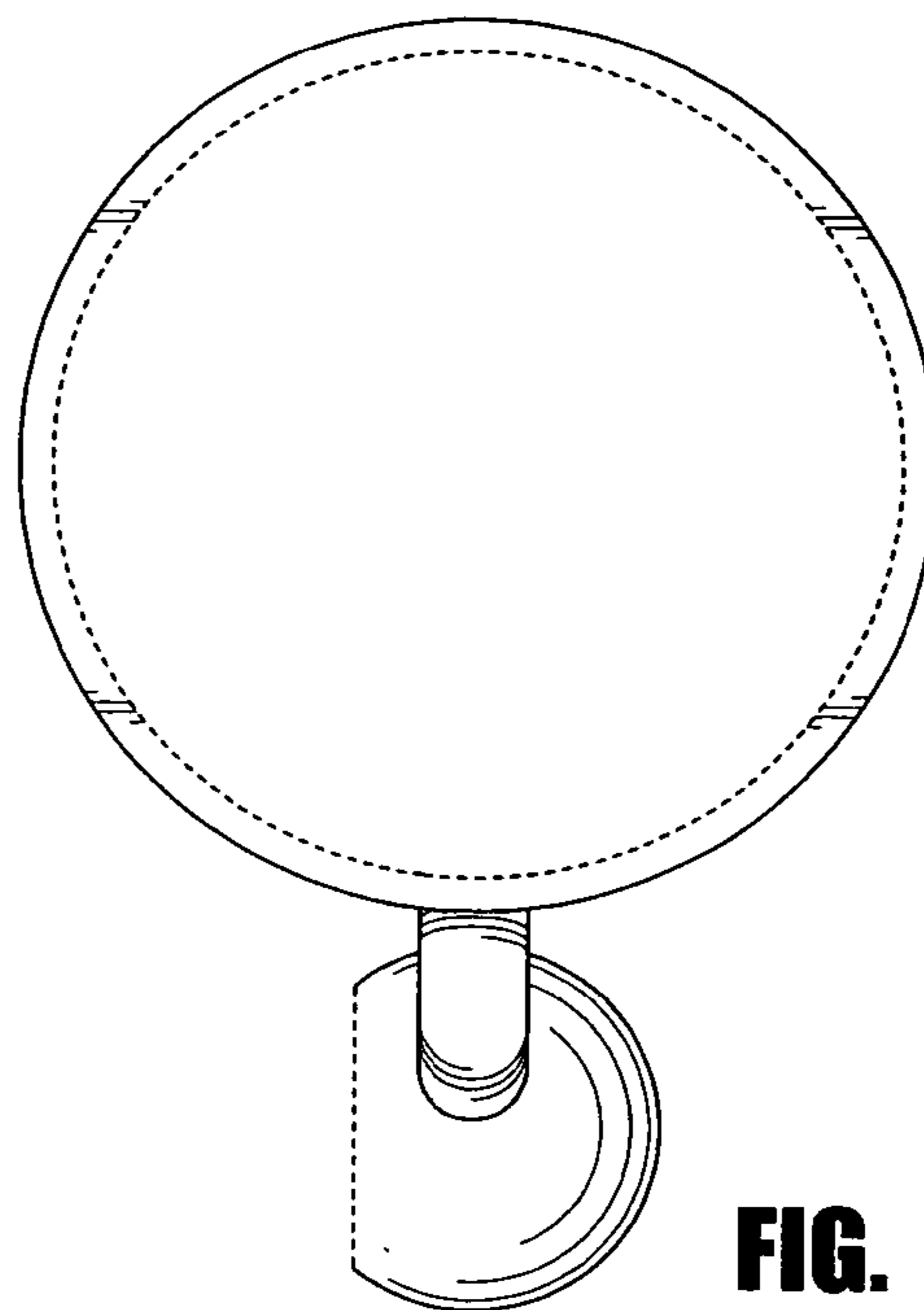


FIG. 3

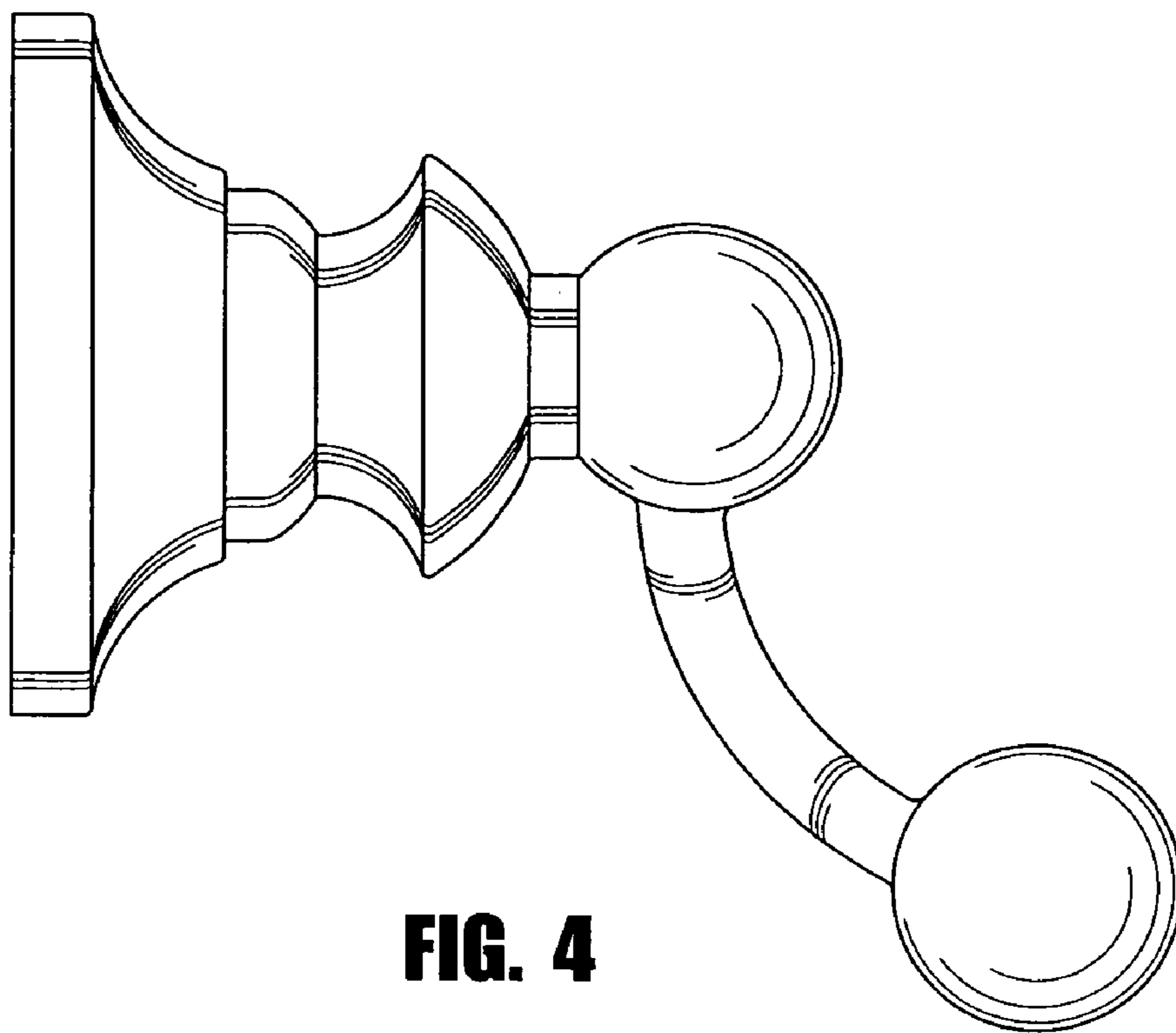


FIG. 4

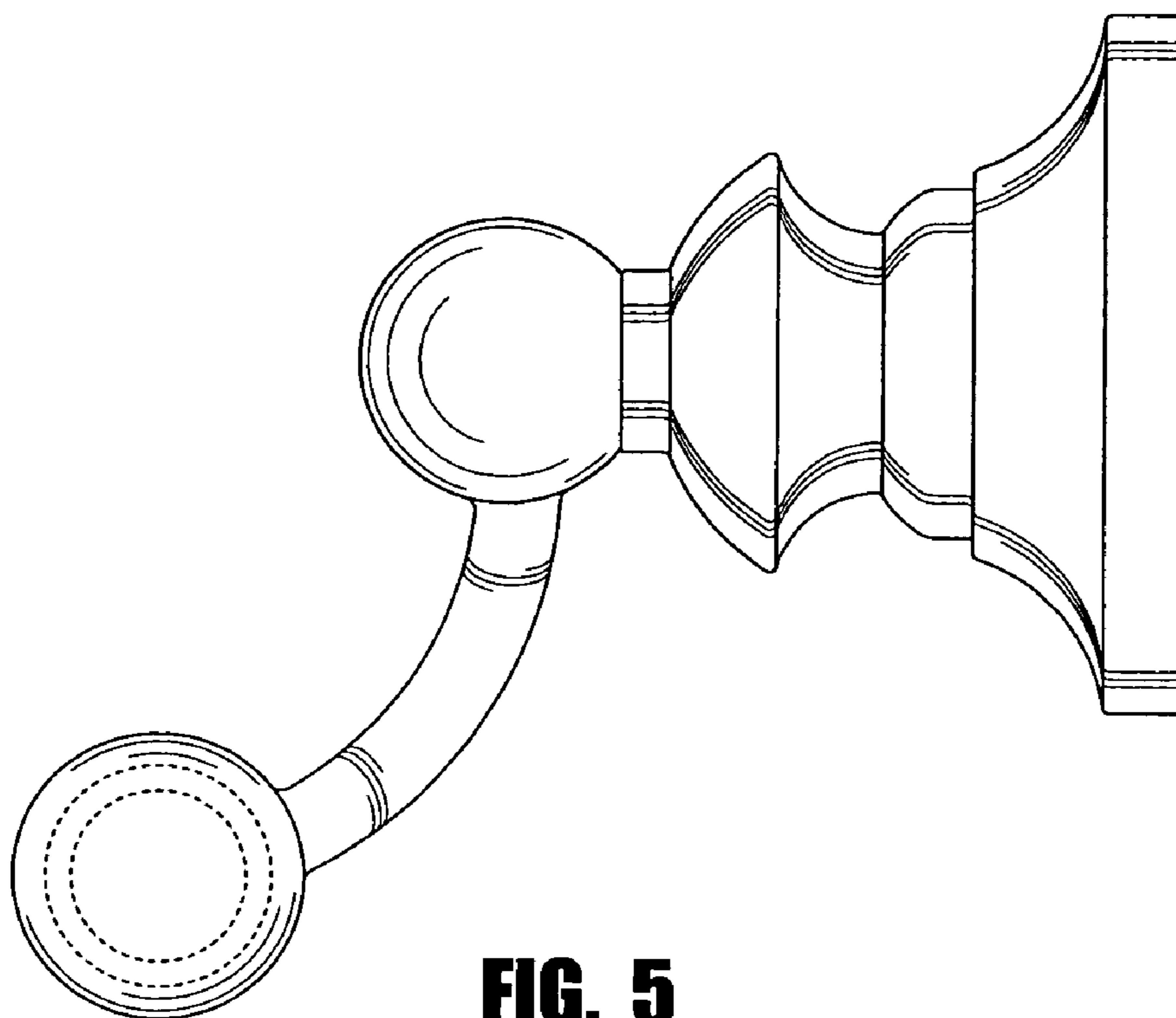


FIG. 5

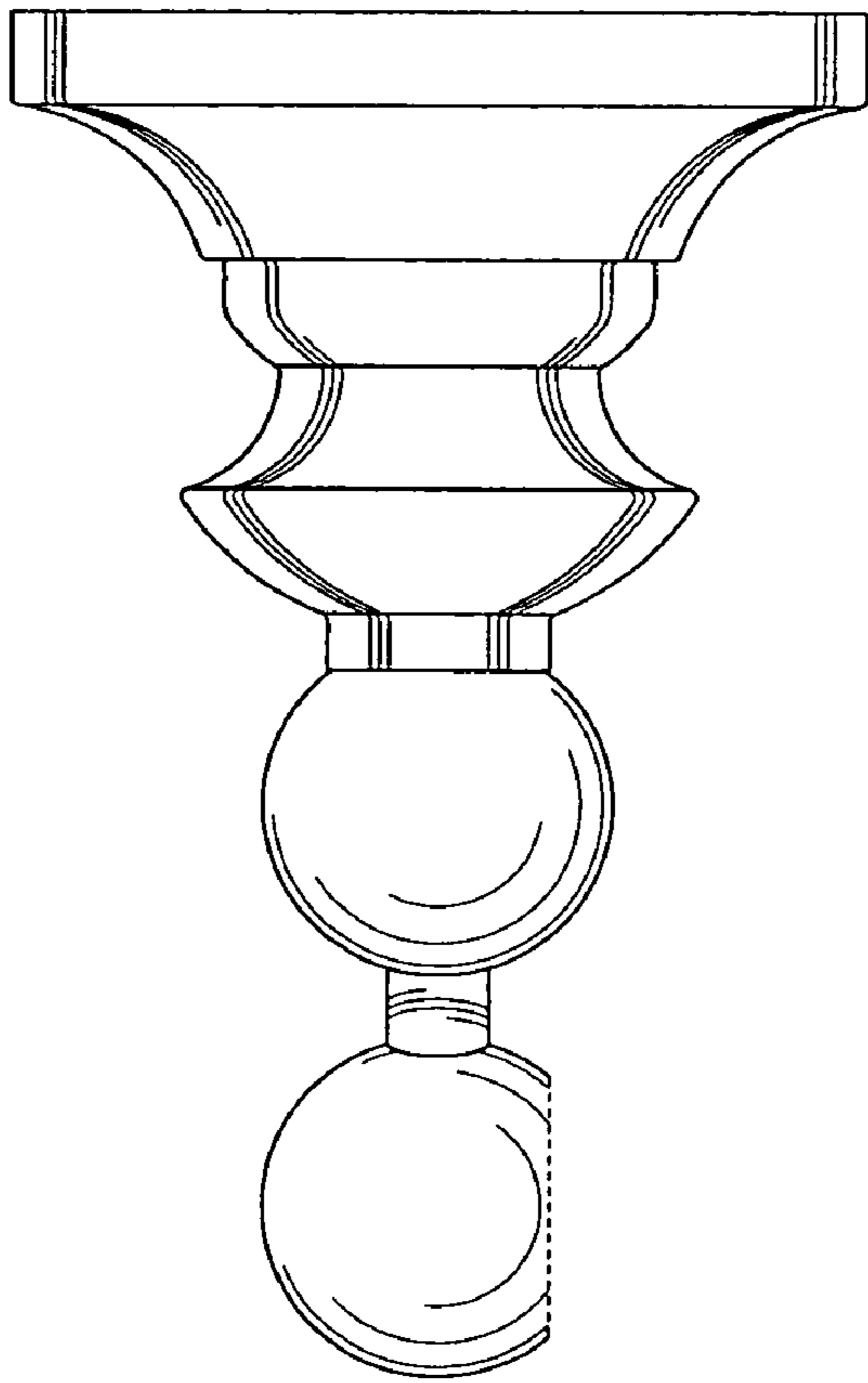


FIG. 6

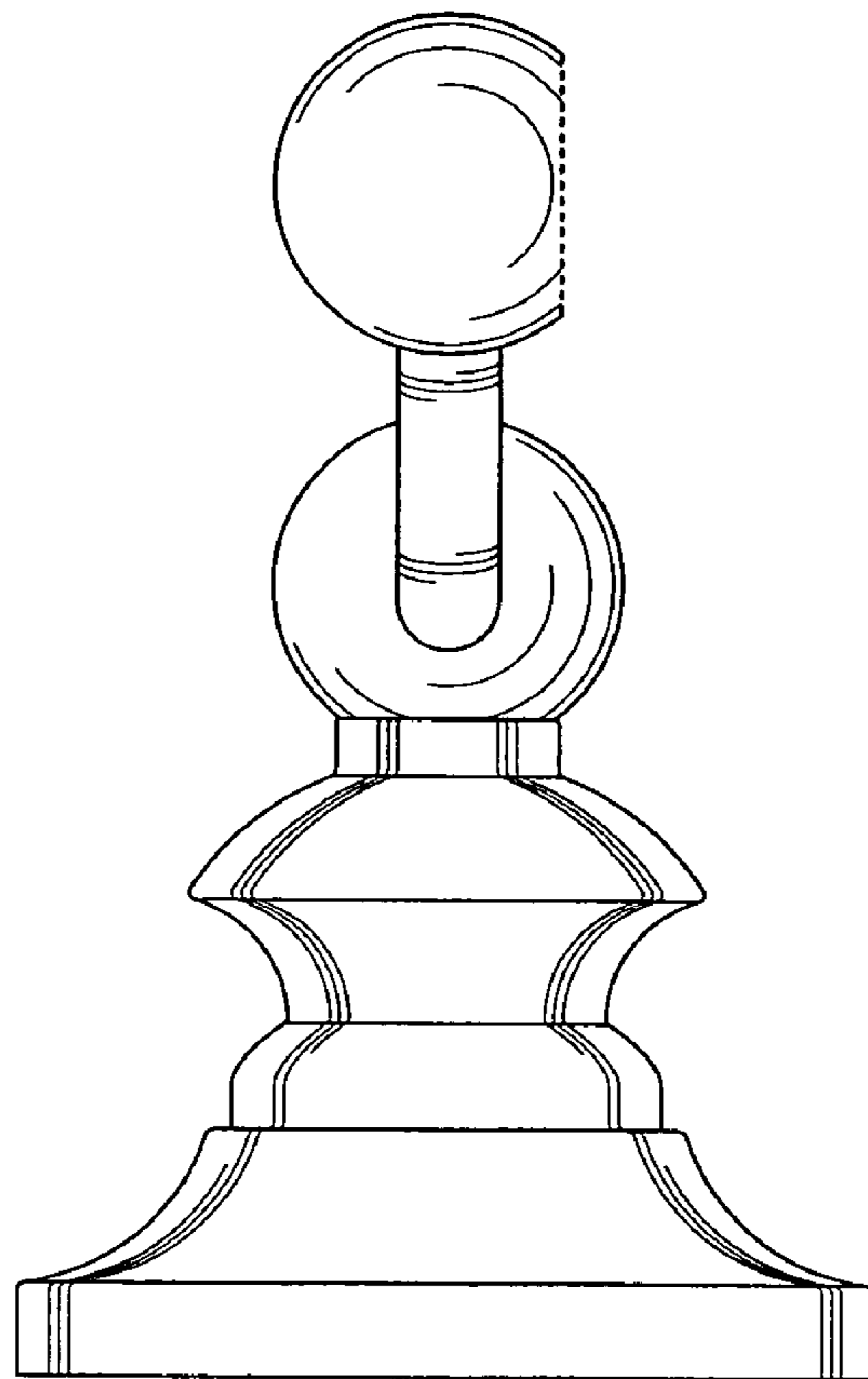


FIG. 7