

US00D549016S

(12) **United States Design Patent**
Donati

(10) **Patent No.:** **US D549,016 S**

(45) **Date of Patent:** **** Aug. 21, 2007**

(54) **SEAT COMPONENT**

(75) Inventor: **Armando Donati**, Lumezzane (IT)

(73) Assignee: **Donati S.p.A.**, Rodengo Saiano
(Brescia) (IT)

(**) Term: **14 Years**

(21) Appl. No.: **29/268,311**

(22) Filed: **Nov. 3, 2006**

(30) **Foreign Application Priority Data**

May 3, 2006	(EM)	000522594-0001
May 3, 2006	(EM)	000522594-0002
May 3, 2006	(EM)	000522594-0003
May 3, 2006	(EM)	000522594-0004
May 3, 2006	(EM)	000522594-0005
May 3, 2006	(EM)	000522594-0006
May 3, 2006	(EM)	000522594-0007
May 3, 2006	(EM)	000522594-0008

(51) **LOC (8) Cl.** **06-06**

(52) **U.S. Cl.** **D6/500**

(58) **Field of Classification Search** D6/334-336,
D6/364, 365, 366, 367, 491, 495, 500-502;
248/161, 578; 297/344.18, 344.21, 344.22,
297/463.1, 300.1, 300.2, 300.5, 300.8, 301.1,
297/301.2, 301.3, 301.4, 301.7, 303.3, 303.4,
297/303.5

See application file for complete search history.

(56) **References Cited**

U.S. PATENT DOCUMENTS

D247,943 S * 5/1978 Doerner D6/500

D285,633	S *	9/1986	Doerner	D6/500
D289,591	S *	5/1987	Groseth	D6/500
D290,073	S *	6/1987	Doerner	D6/500
D292,459	S *	10/1987	Doerner	D6/500
6,213,552	B1 *	4/2001	Miotto	297/300.5
D447,652	S *	9/2001	Beggs	D6/500
6,588,843	B1 *	7/2003	Ebenstein	297/300.1
2003/0178876	A1 *	9/2003	Klein	297/301.2

* cited by examiner

Primary Examiner—Mimosa De

(74) *Attorney, Agent, or Firm*—Nixon & Vanderhye P.C.

(57) **CLAIM**

The ornamental design of a seat component, as shown.

DESCRIPTION

FIG. 1 is a perspective view of a seat component showing my design;

FIG. 2 is a front view thereof;

FIG. 3 is a rear view thereof;

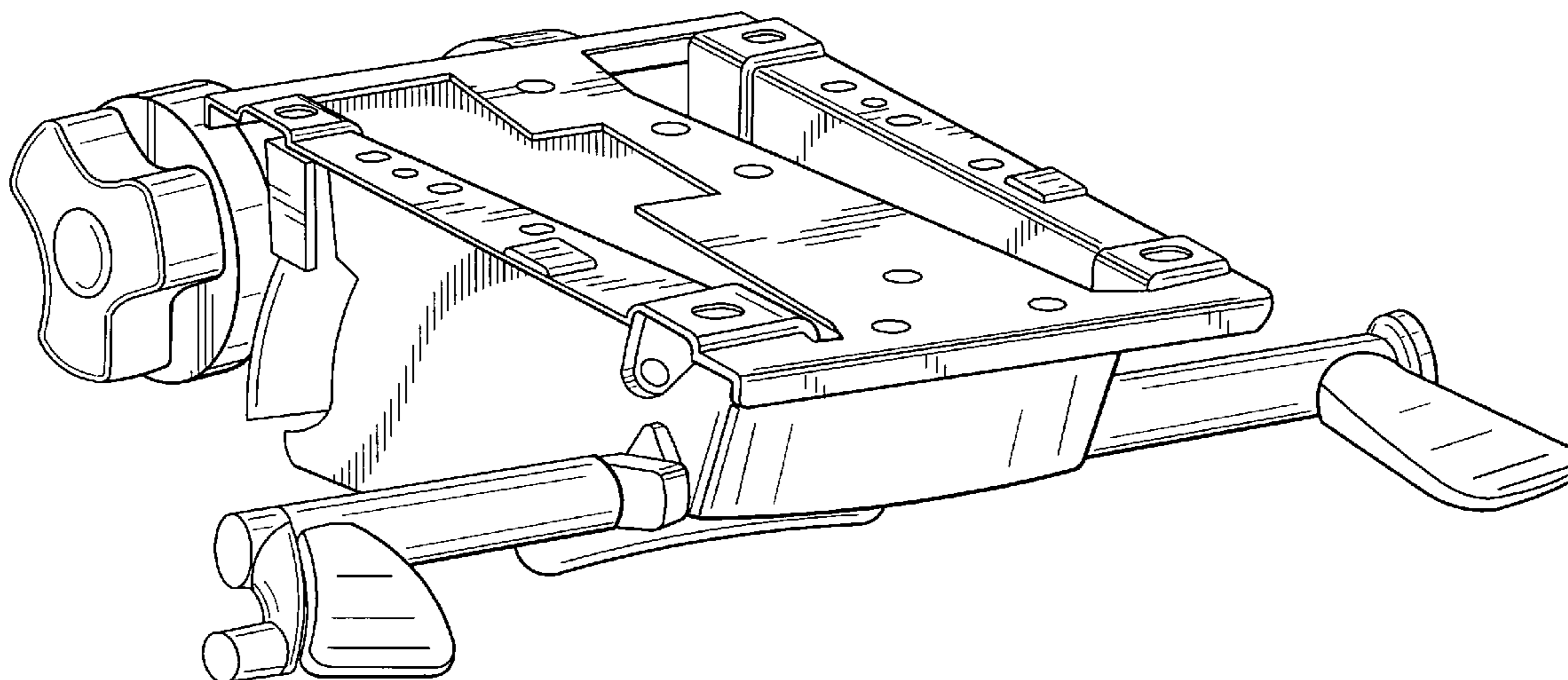
FIG. 4 is a top view thereof;

FIG. 5 is a bottom view thereof;

FIG. 6 is a right side view thereof; and,

FIG. 7 is a left side view thereof.

1 Claim, 7 Drawing Sheets



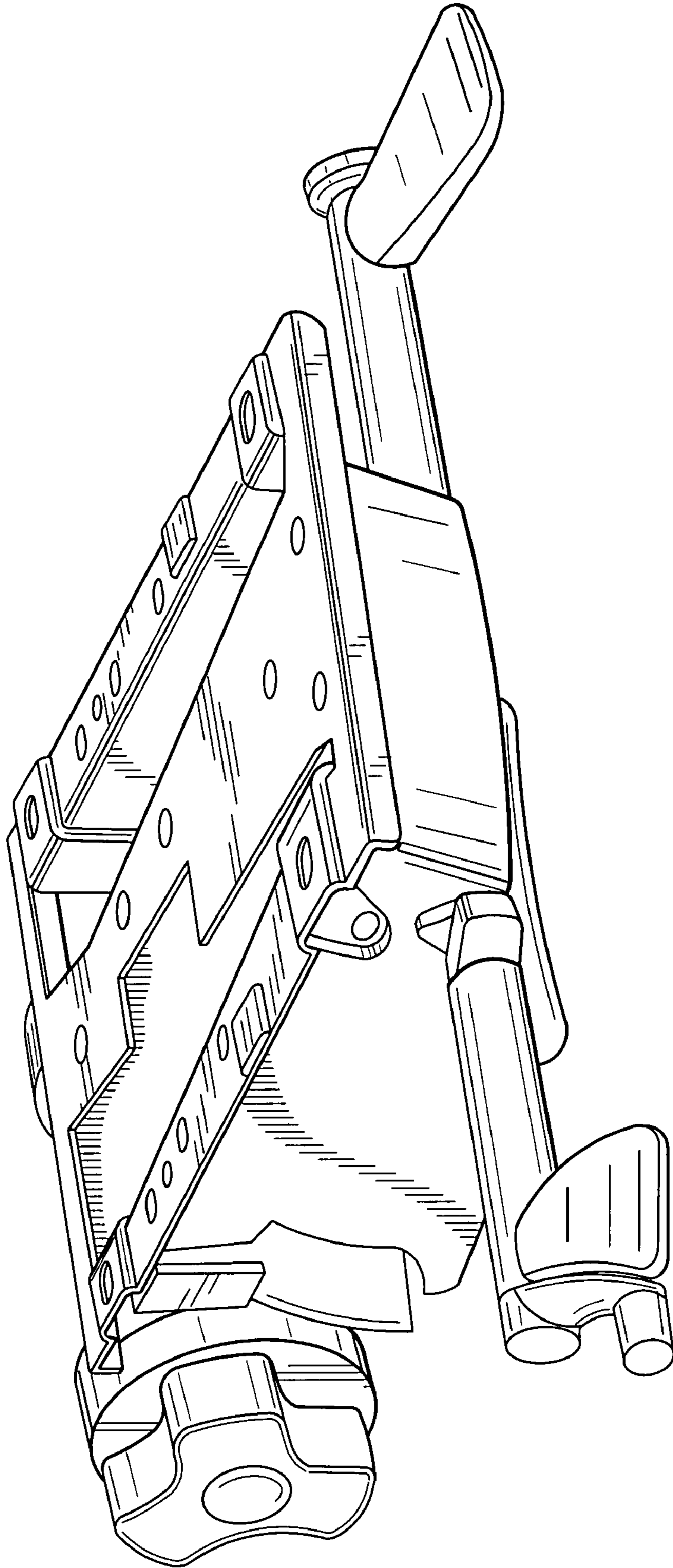


FIG. 1

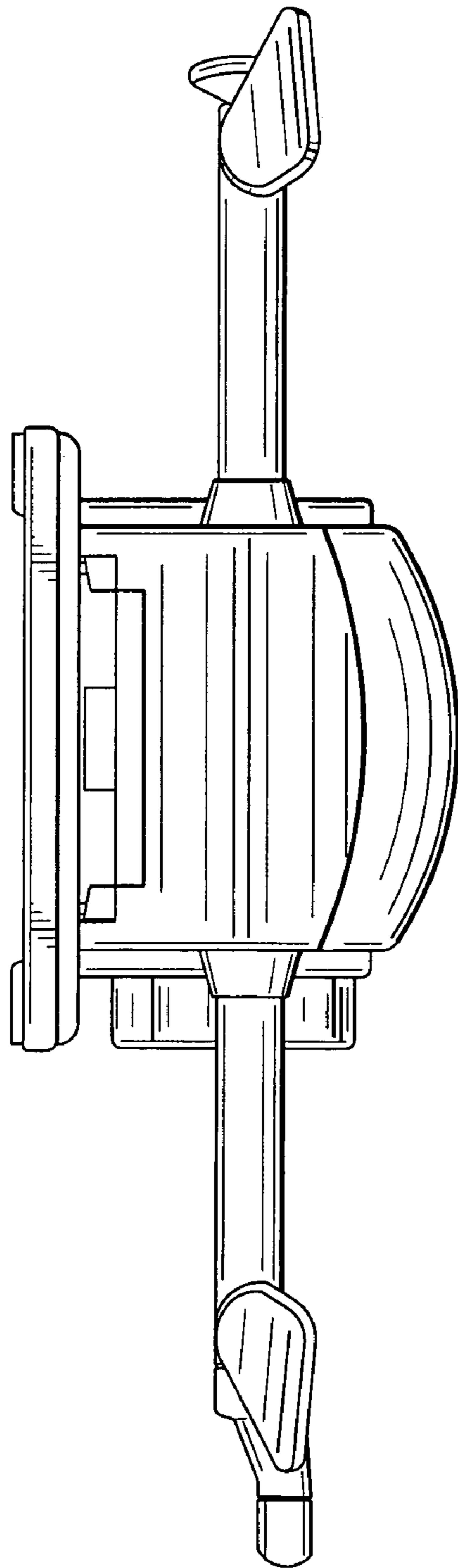


FIG. 2

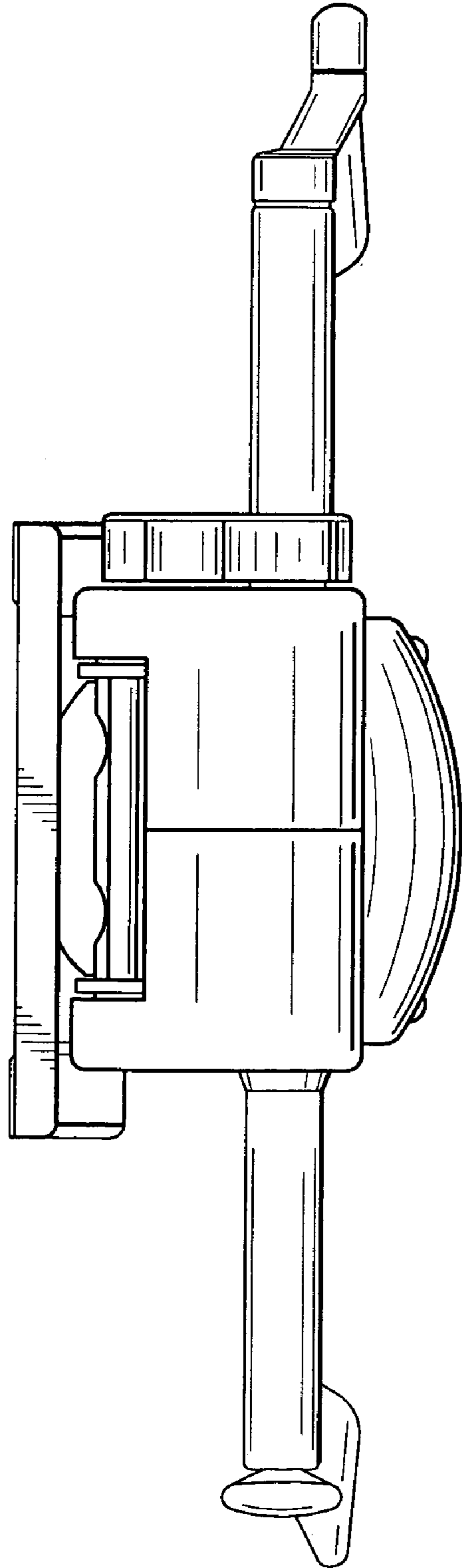


FIG. 3

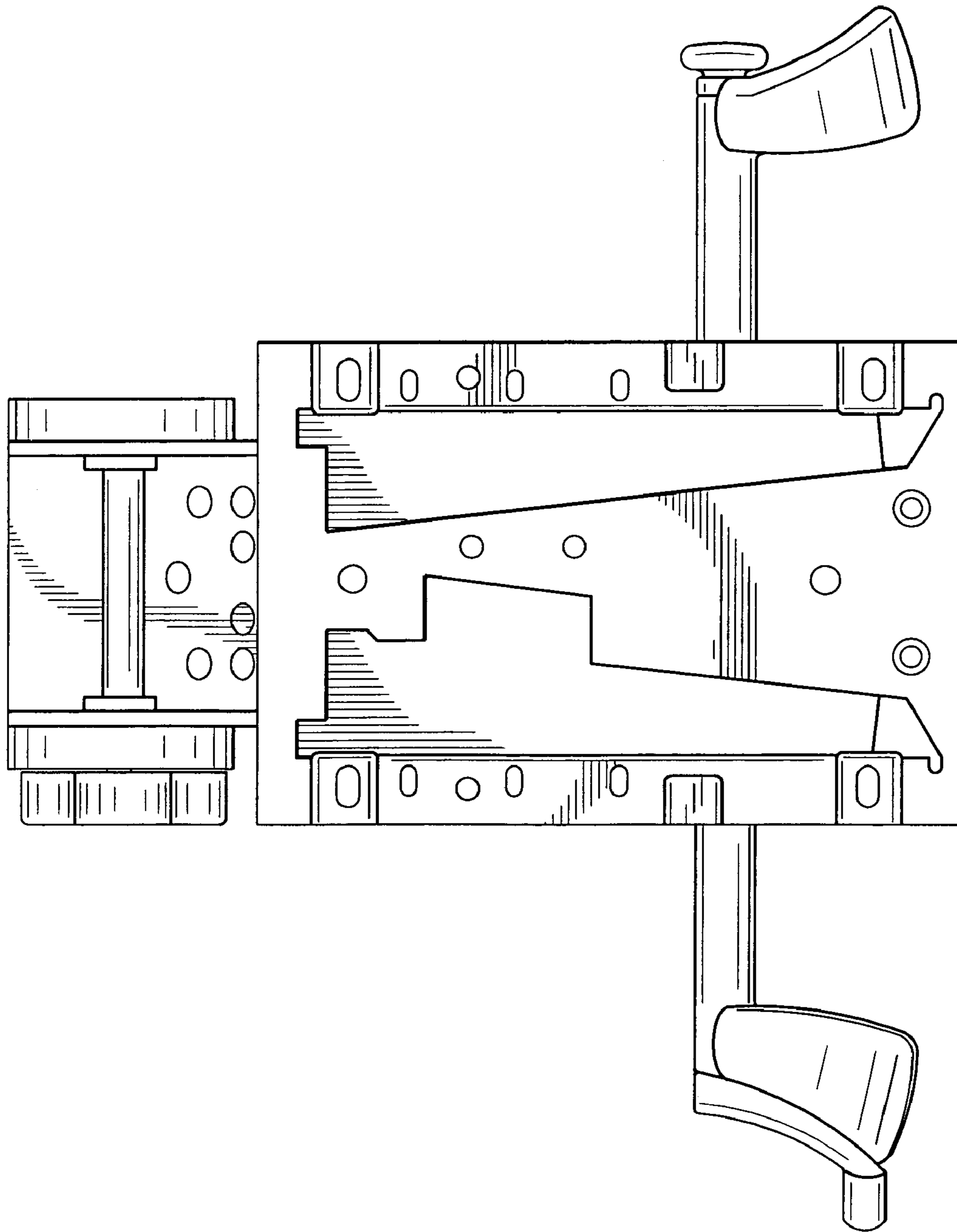


FIG. 4

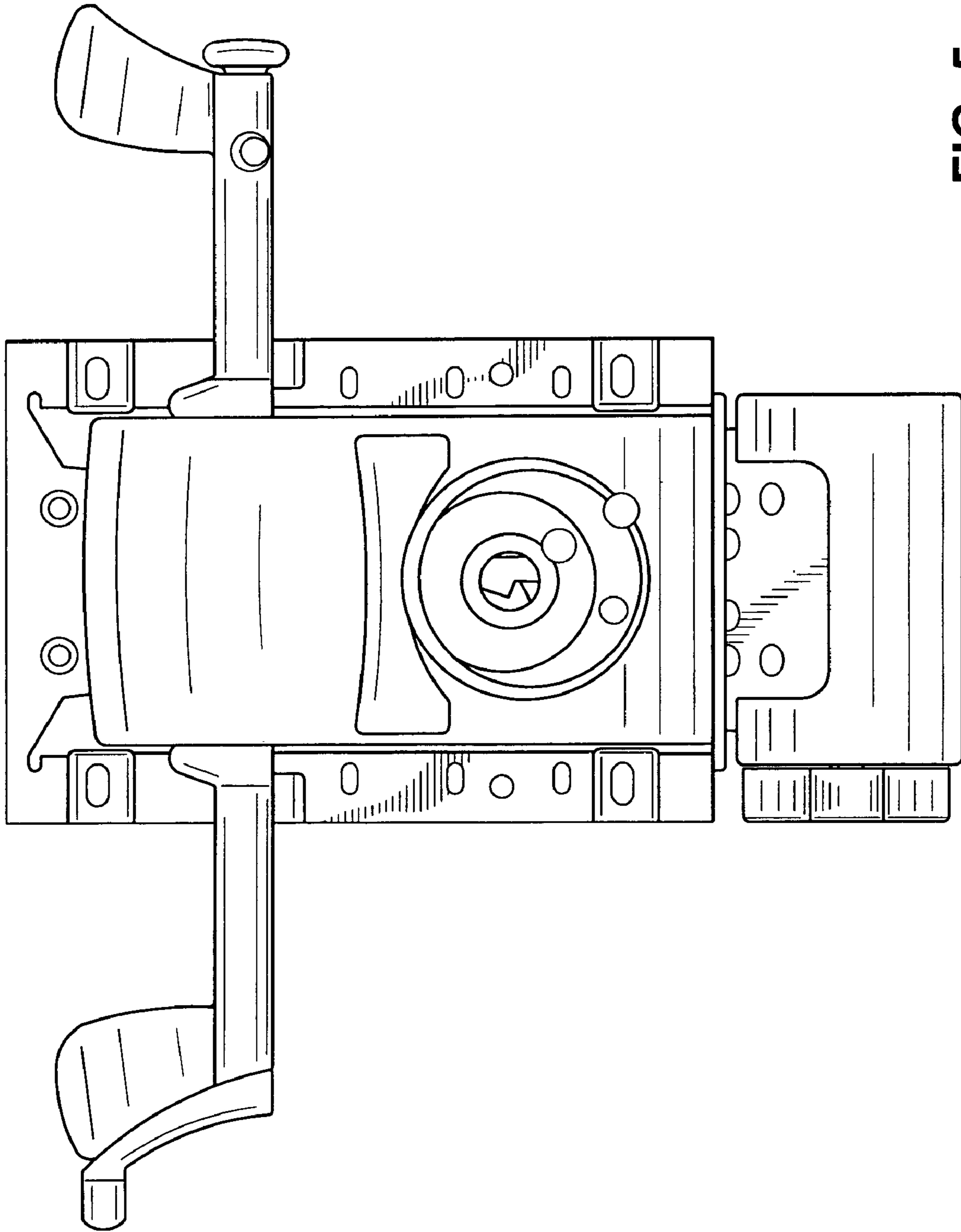


FIG. 5

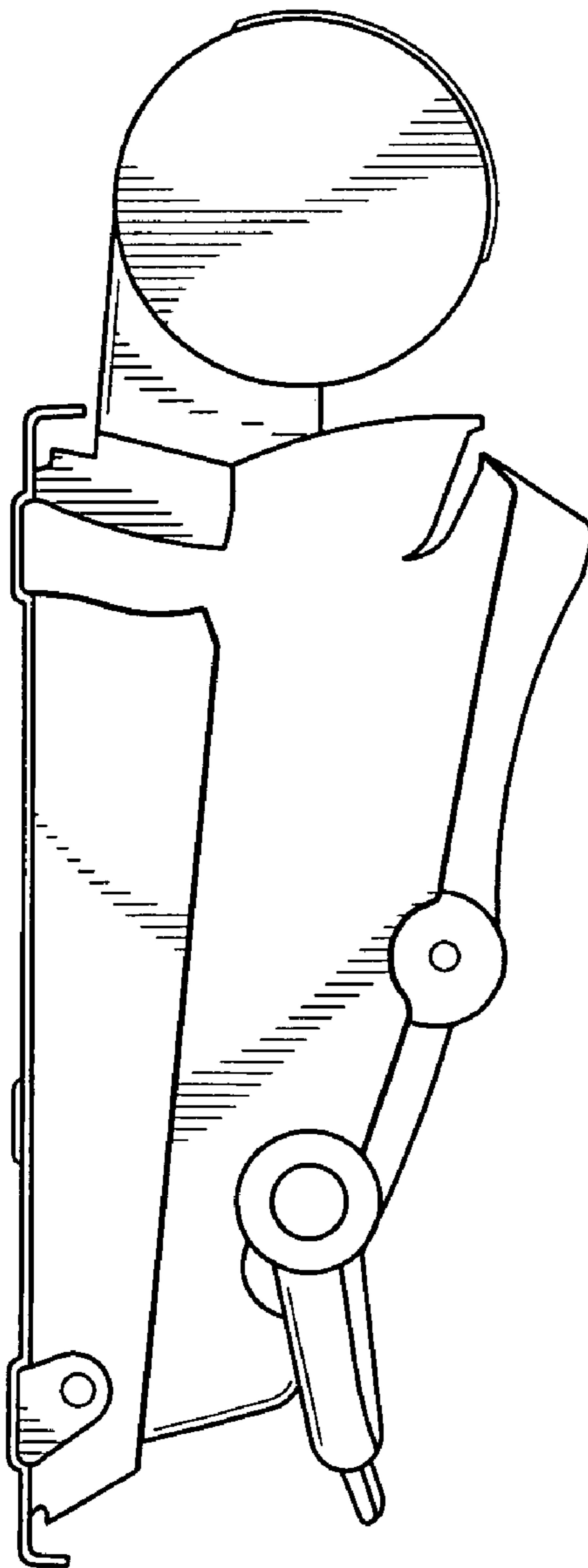


FIG. 6

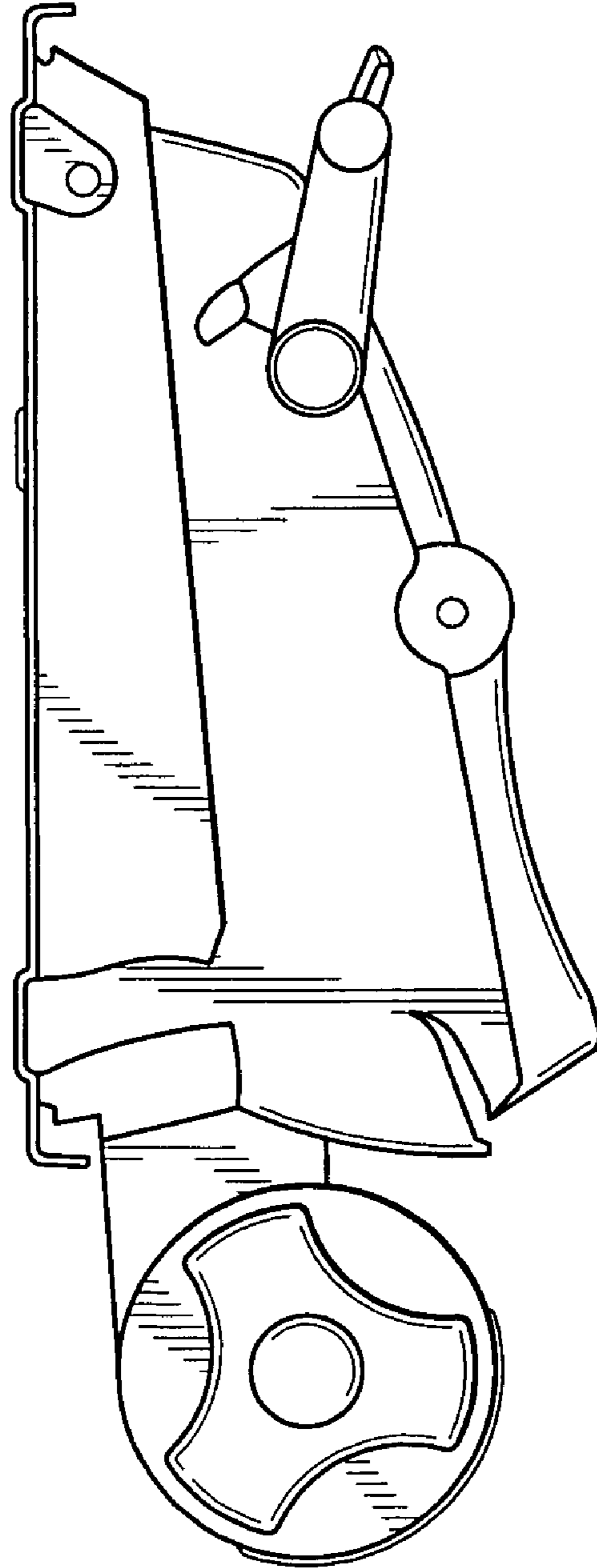


FIG. 7