

US00D549015S

(12) **United States Design Patent** (10) **Patent No.:** **US D549,015 S**
Petrick et al. (45) **Date of Patent:** **** Aug. 21, 2007**

(54) **FLAT PANEL DISPLAY STAND**

(75) Inventors: **Christopher Petrick**, Park Ridge, IL (US); **Robert Coon**, Chicago, IL (US); **Clifford Krapfl**, Chicago, IL (US); **John B. Freese**, Evanston, IL (US); **Bjorn Gunderson**, Chicago, IL (US); **Jimmy-Quang Viet Doan**, Chicago, IL (US)

(73) Assignee: **Bretford Manufacturing, Inc.**, Franklin Park, IL (US)

(**) Term: **14 Years**

(21) Appl. No.: **29/258,578**

(22) Filed: **Apr. 24, 2006**

(51) **LOC (8) Cl.** **06-06**

(52) **U.S. Cl.** **D6/498**

(58) **Field of Classification Search** D6/498,
D6/364-367, 334-335, 500-502; 248/188,
248/188.1, 188.7, 188.8; 297/358, 344.18,
297/411.2, 411.28, 463.1; D24/128

See application file for complete search history.

(56) **References Cited**

U.S. PATENT DOCUMENTS

4,005,841 A * 2/1977 Rensland et al. 248/188.7
D260,216 S * 8/1981 Buhk D6/498
D266,722 S * 11/1982 Stephens D6/498
D276,396 S * 11/1984 Locher D6/498
D301,954 S * 7/1989 Diehl D6/491
D312,013 S * 11/1990 Aronowitz et al. D6/498
D322,373 S * 12/1991 Gutsell D6/498
D333,058 S * 2/1993 Diffrient D6/498
D333,933 S * 3/1993 Feinbloom D6/486
D349,397 S * 8/1994 Peng D3/10
D356,913 S * 4/1995 Walsh D6/498
D439,772 S * 4/2001 Gutsell D6/498
D462,547 S * 9/2002 Chen D6/498

D463,160 S * 9/2002 Chang D6/411
D492,517 S * 7/2004 Risdon et al. D6/495
D495,537 S * 9/2004 Fu D6/498
D525,461 S * 7/2006 Egger D6/498
D525,462 S * 7/2006 Egger D6/498

* cited by examiner

Primary Examiner—Caron D. Veynar

Assistant Examiner—Sydney R. Buffalow

(74) *Attorney, Agent, or Firm*—John C. Gorecki

(57) **CLAIM**

The ornamental design for a flat panel display stand, as shown and described.

DESCRIPTION

FIG. 1 is a front perspective view of a flat panel display stand embodying our novel design;

FIG. 2 is a rear perspective view of a flat panel display stand embodying our novel design;

FIG. 3 is a left side elevational view of the flat panel display stand of FIG. 1;

FIG. 4 is a front elevational view of the flat panel display stand of FIG. 1;

FIG. 5 is a right side elevational view of the flat panel display stand of FIG. 1;

FIG. 6 is a rear elevational view of the flat panel display stand of FIG. 1;

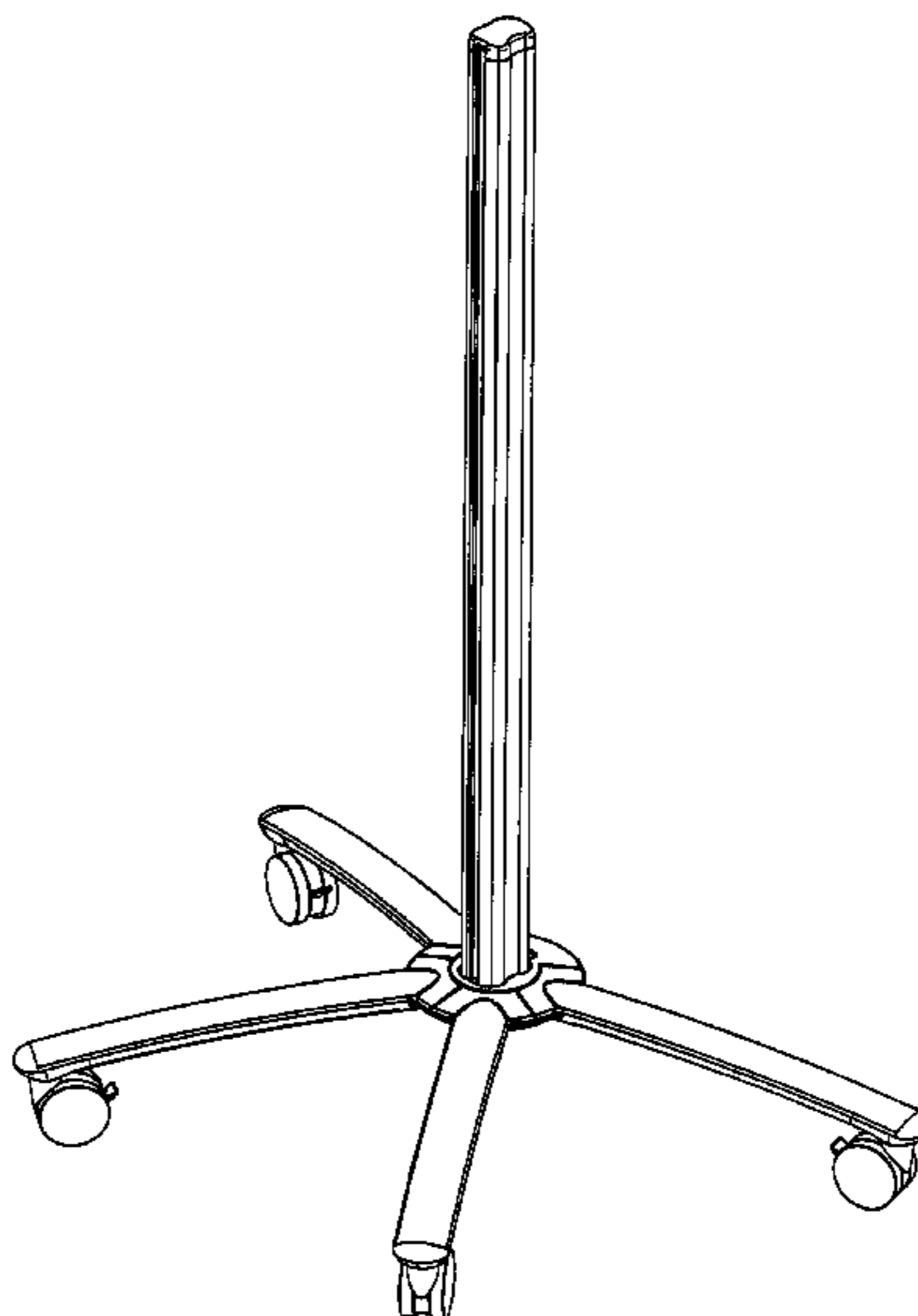
FIG. 7 is a top plan view of the flat panel display stand of FIG. 1;

FIG. 8 is a bottom plan view of the flat panel display stand of FIG. 1; and,

FIG. 9 is a front elevational view of the flat panel display stand of FIG. 1 connected to support a flat panel display.

The broken lines shown in the drawings are for illustrative purposes only and form no part of the claimed design.

1 Claim, 9 Drawing Sheets



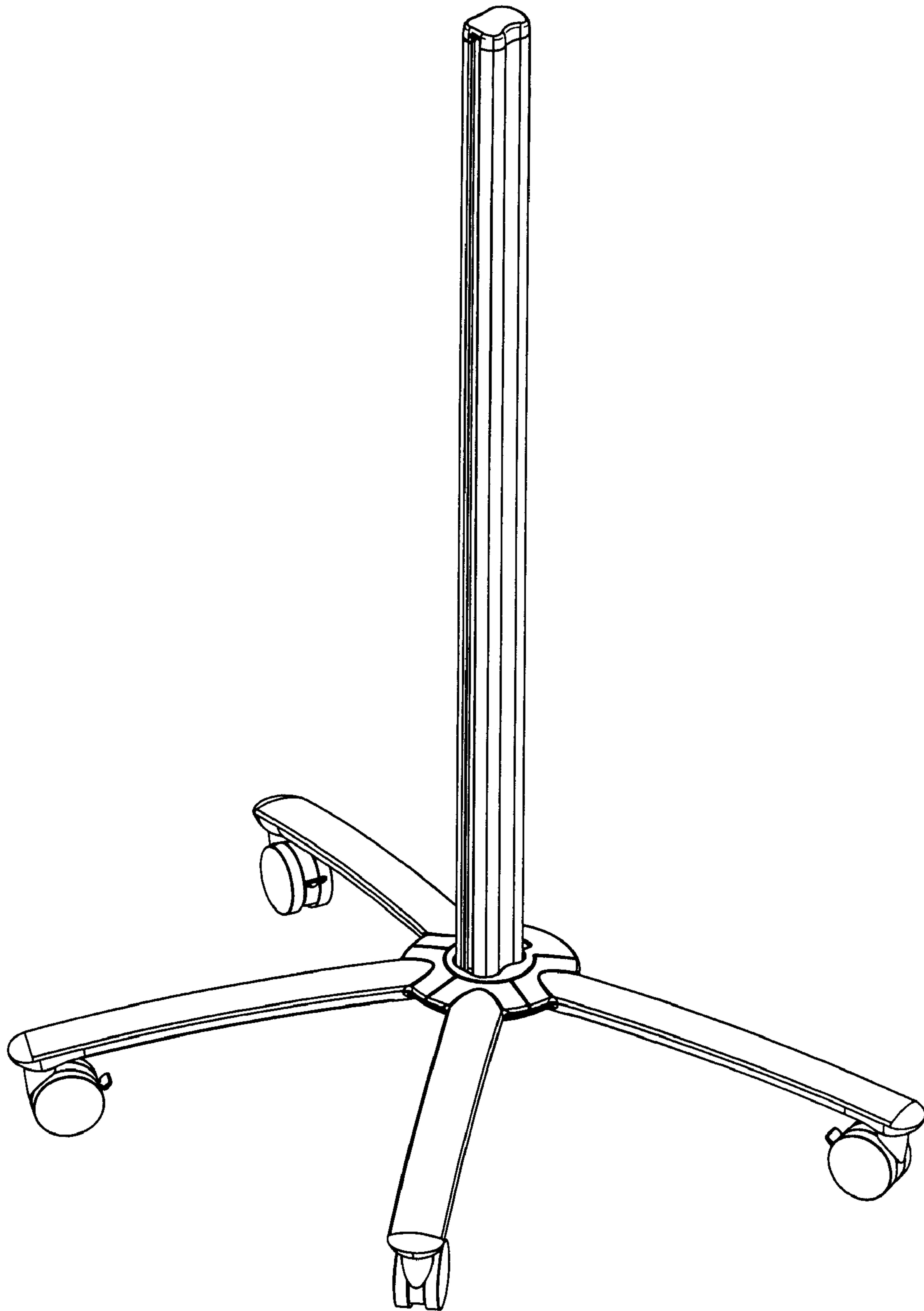


FIG. 1

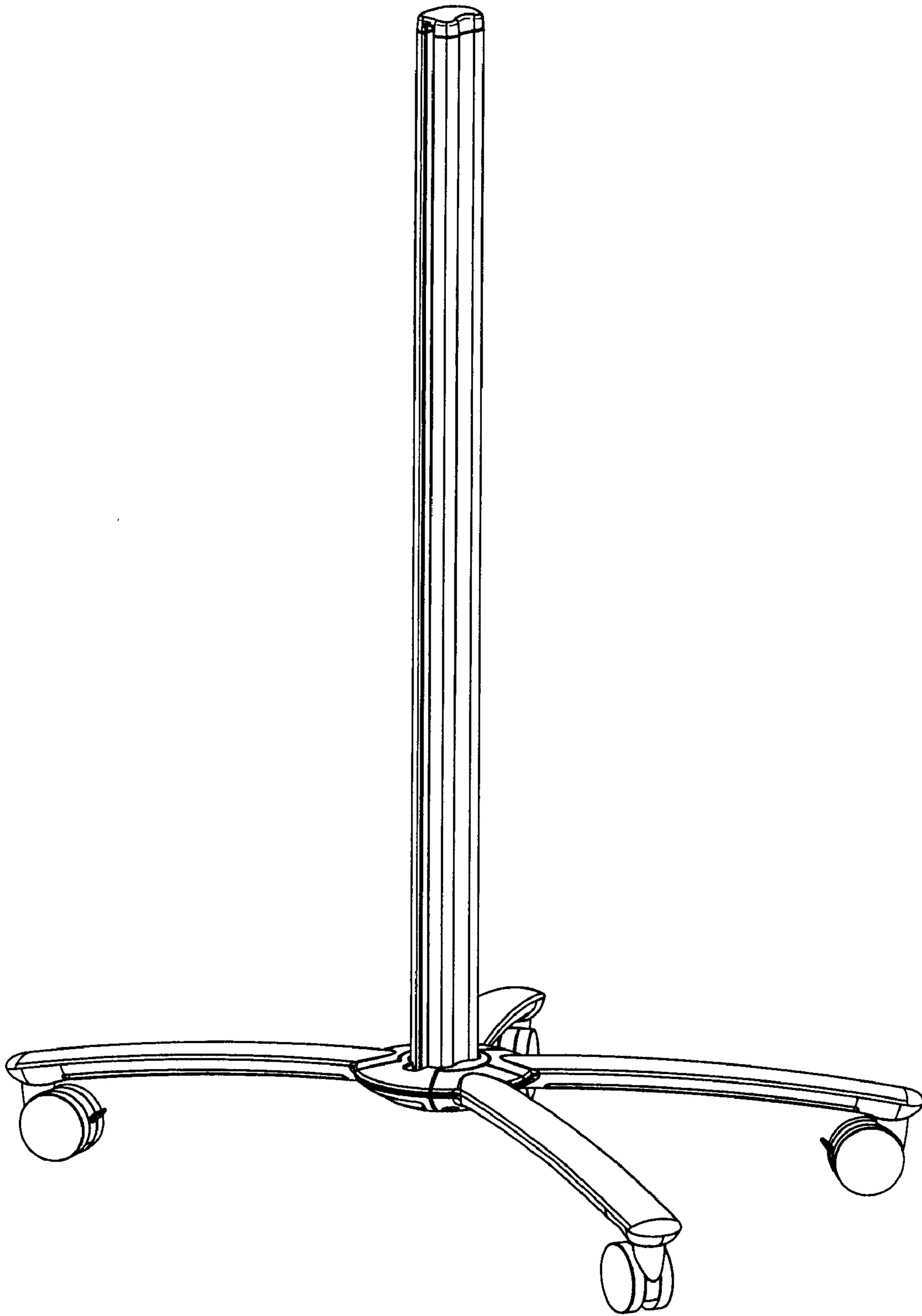


FIG. 2

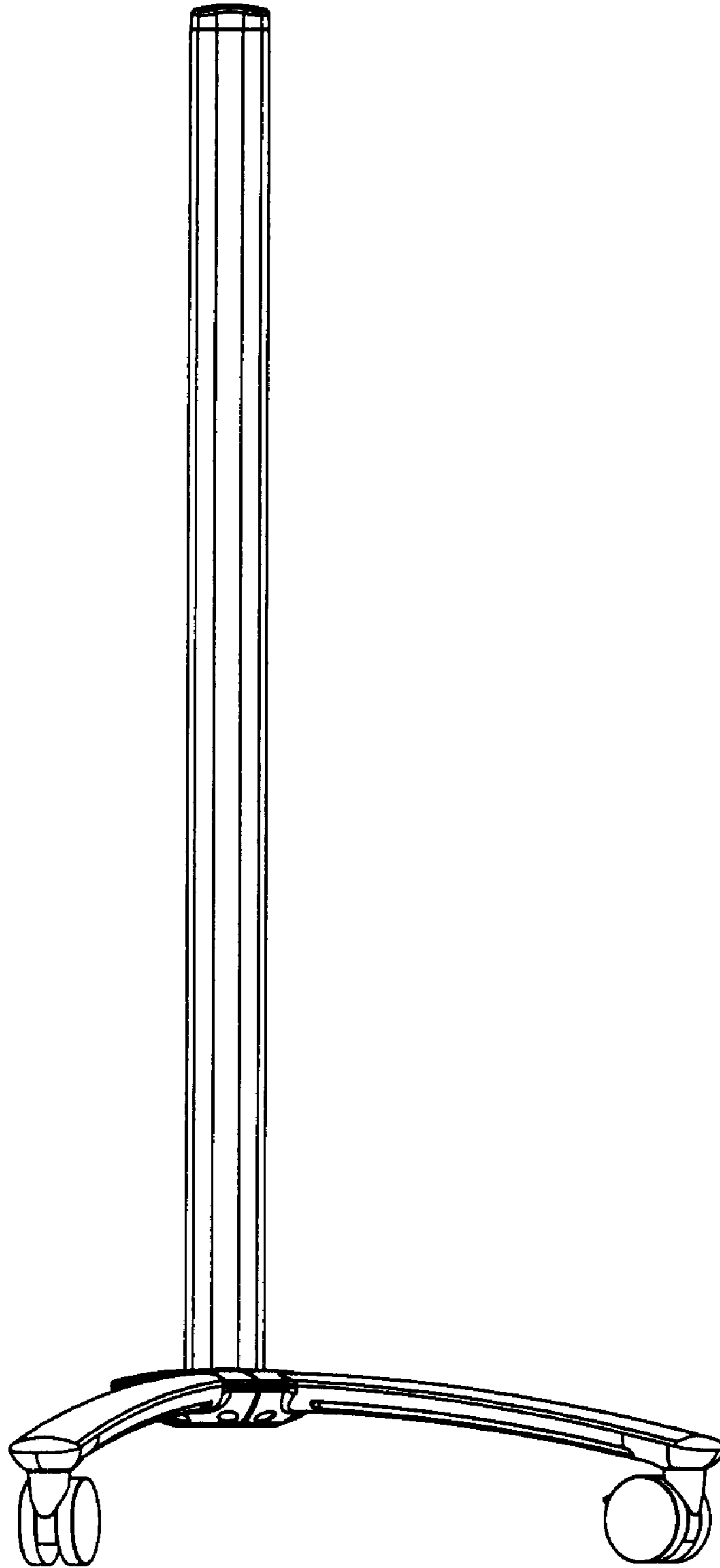


FIG. 3

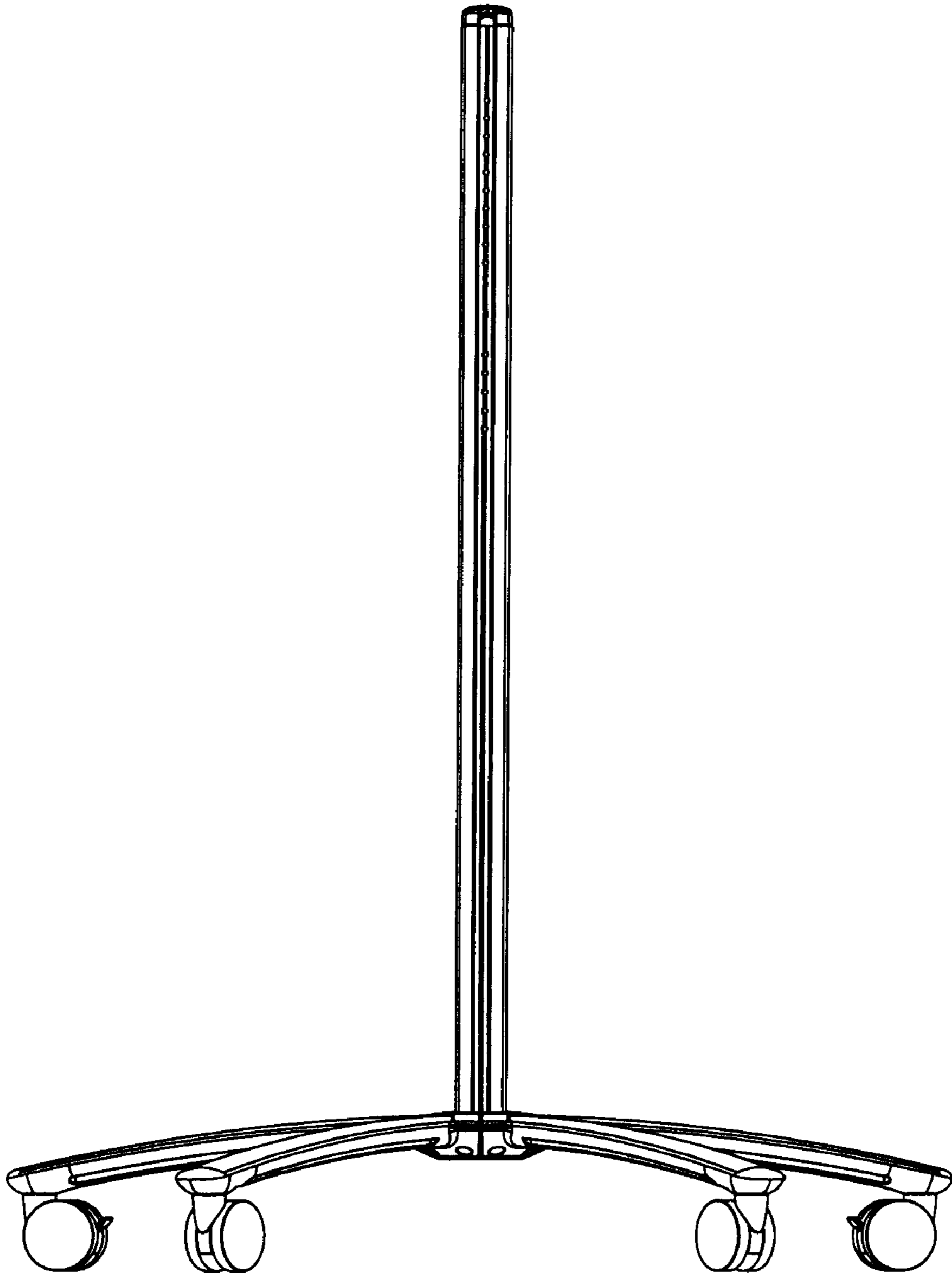


FIG. 4

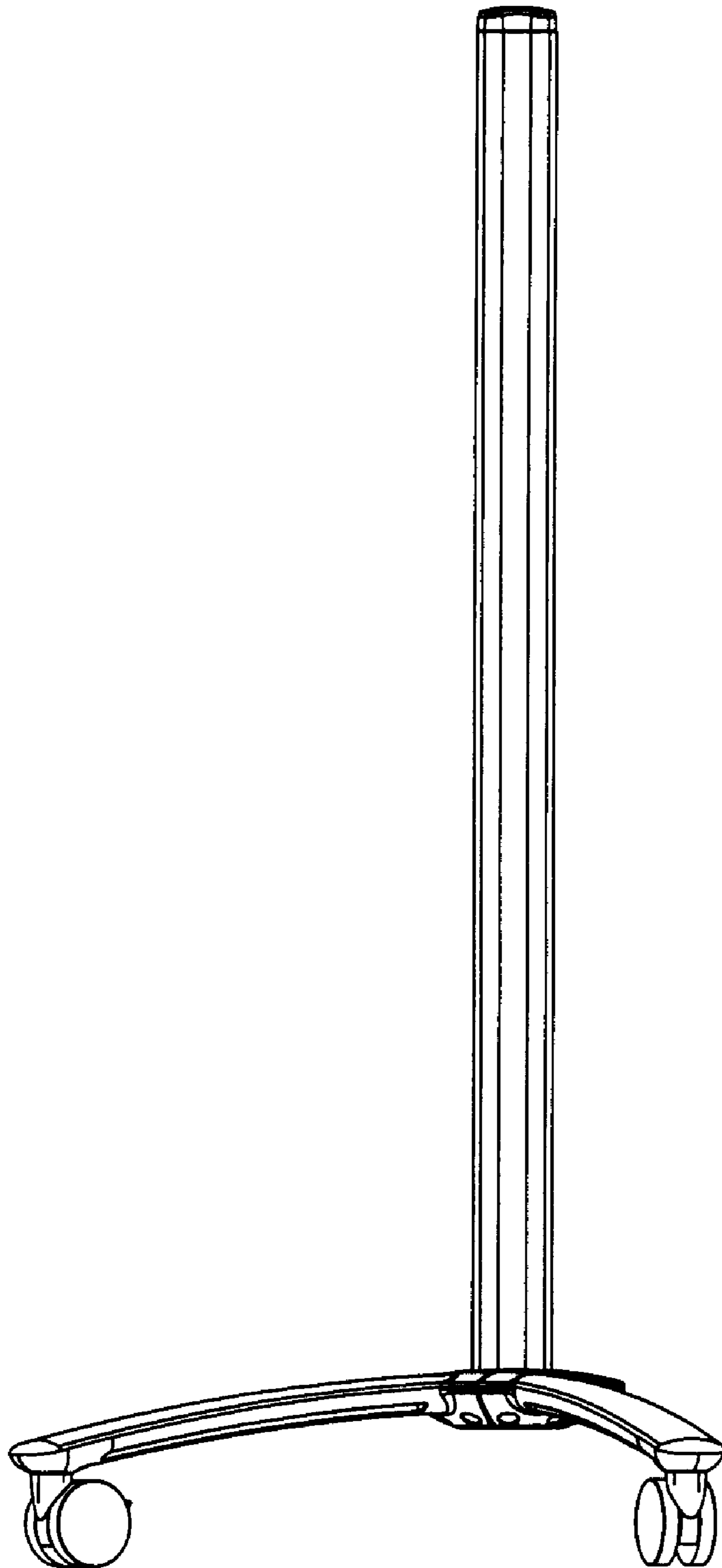


FIG. 5

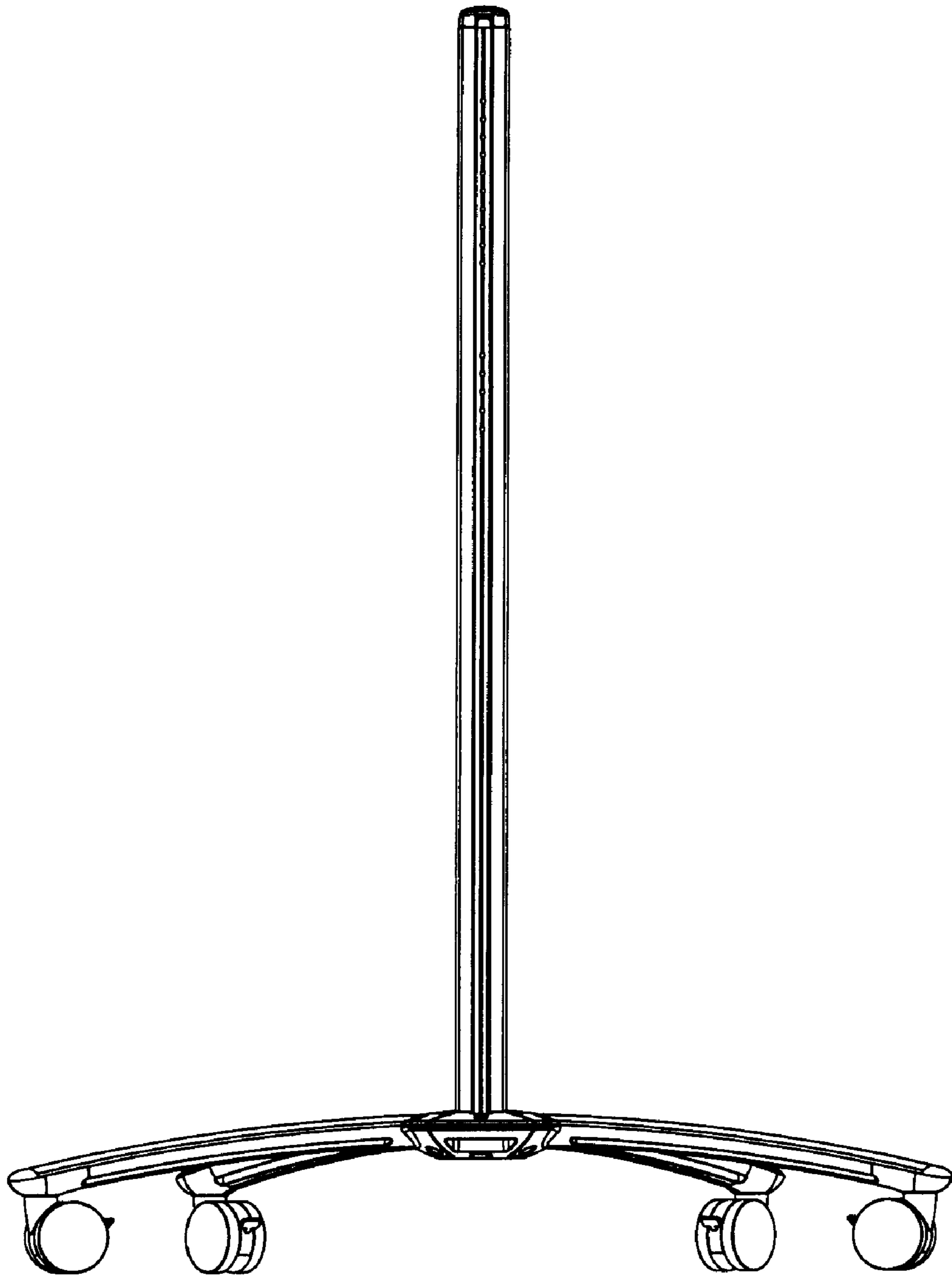


FIG. 6

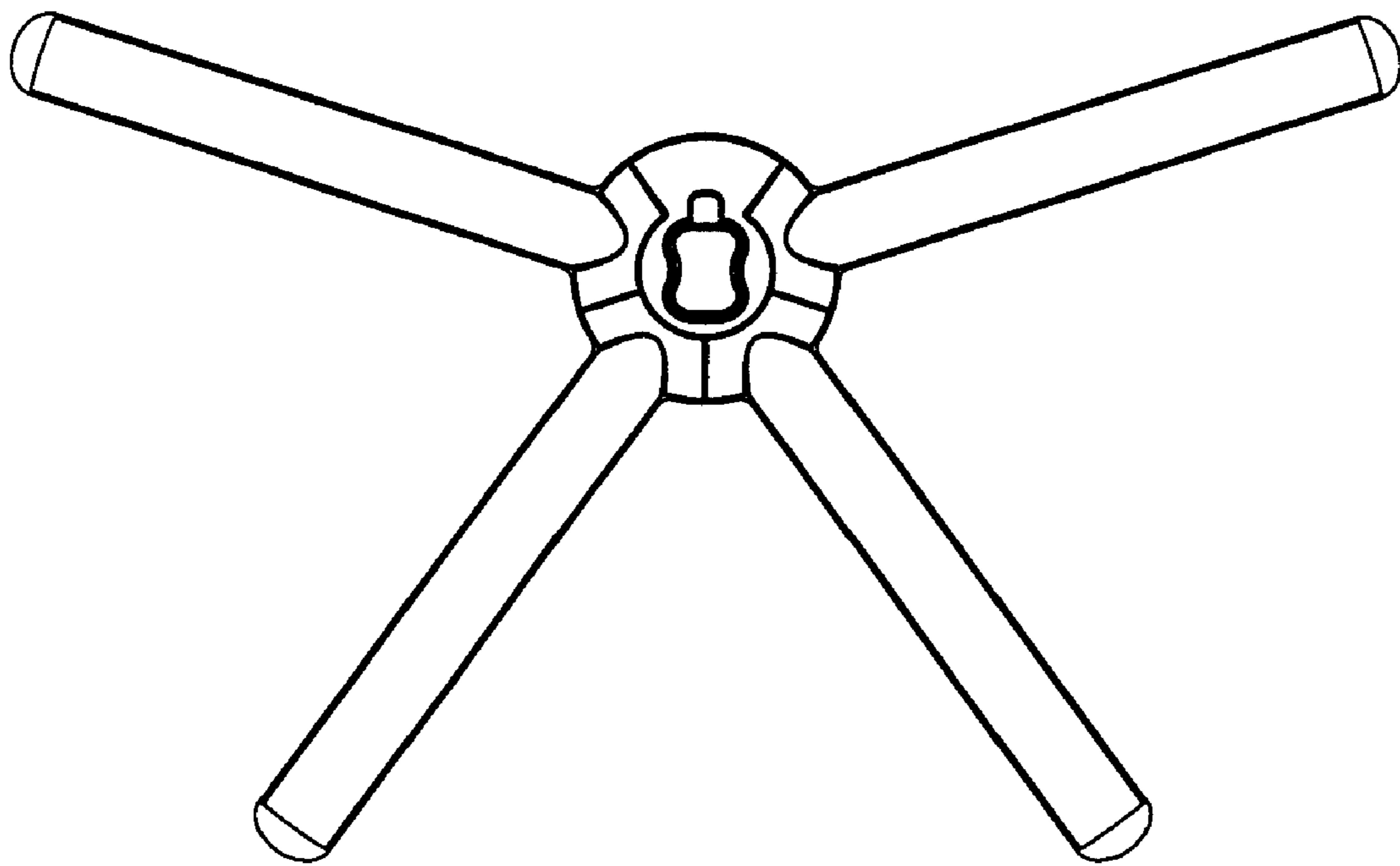


FIG. 7

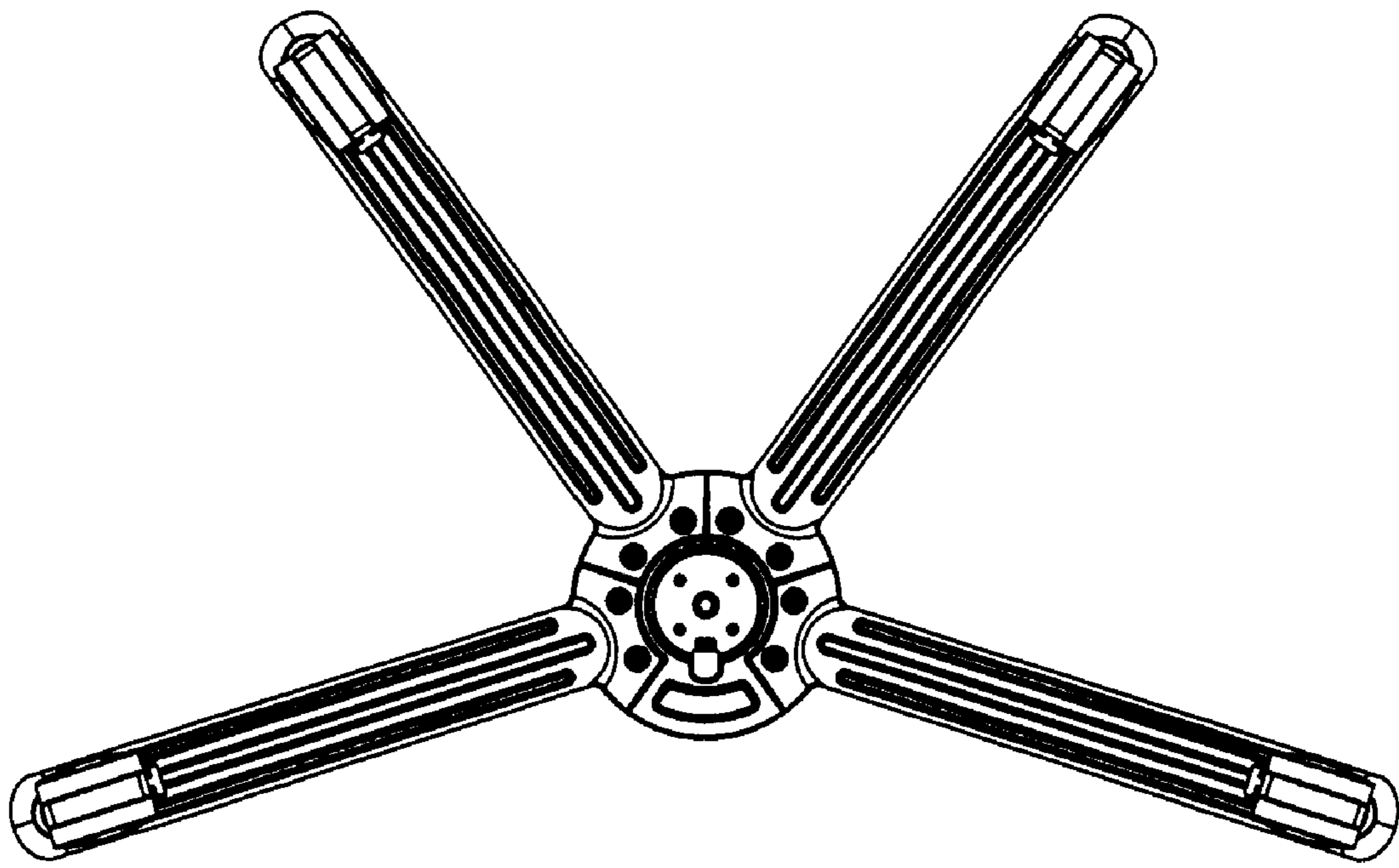


FIG. 8

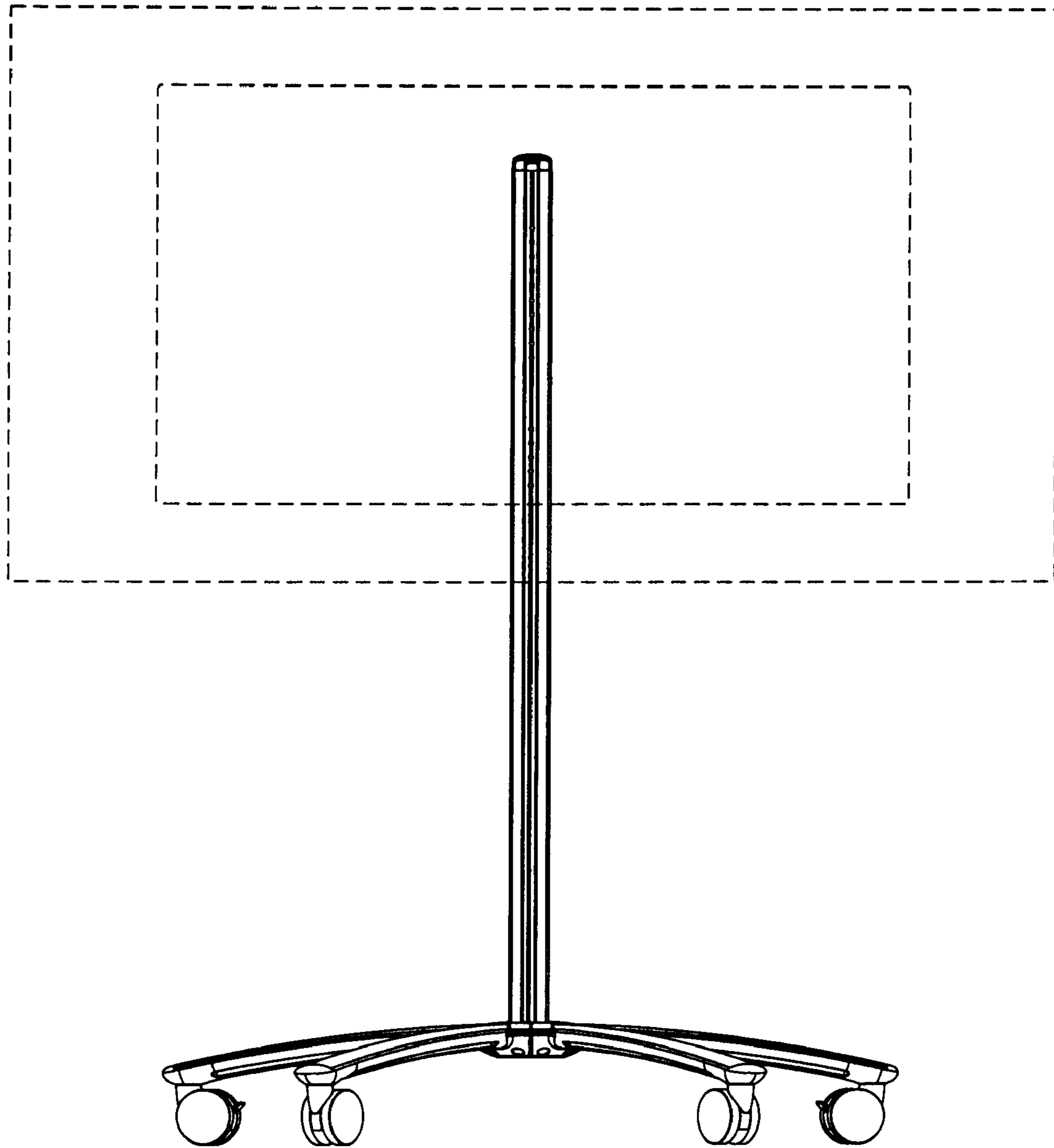


FIG. 9