



US00D549013S

(12) **United States Design Patent** (10) **Patent No.:** **US D549,013 S**  
**Dale** (45) **Date of Patent:** **\*\* Aug. 21, 2007**

(54) **TIP FOR A FURNITURE LEG** D184,414 S \* 2/1959 Wilhelmi ..... D8/374  
2,933,754 A \* 4/1960 Winans ..... 16/42 R  
(75) Inventor: **Richard Alan Dale**, Birmingham, MI  
(US) 3,080,601 A \* 3/1963 Kramcsak, Jr. .... 16/42 R

(73) Assignee: **General World Furniture Sdn. Bhd.**,  
Petaling Jaya (MY)

(\*\*) Term: **14 Years**

(21) Appl. No.: **29/238,725**

(22) Filed: **Sep. 21, 2005**

(30) **Foreign Application Priority Data**  
May 27, 2005 (MY) ..... 05-00482

(51) **LOC (8) Cl.** ..... **06-06**

(52) **U.S. Cl.** ..... **D6/495**

(58) **Field of Classification Search** ..... D6/480-489,  
D6/495-499, 429-431; D8/374; 108/153.1,  
108/155, 156, 161; 248/188, 188.1, 188.2,  
248/188.4, 188.5, 188.8, 188.9

See application file for complete search history.

(56) **References Cited**

U.S. PATENT DOCUMENTS

2,338,092 A \* 1/1944 Brown ..... 248/172

\* cited by examiner

*Primary Examiner*—Janice E. Seeger

(74) *Attorney, Agent, or Firm*—The Harris Firm

(57) **CLAIM**

The ornamental design for a tip for a furniture leg, as shown and described.

**DESCRIPTION**

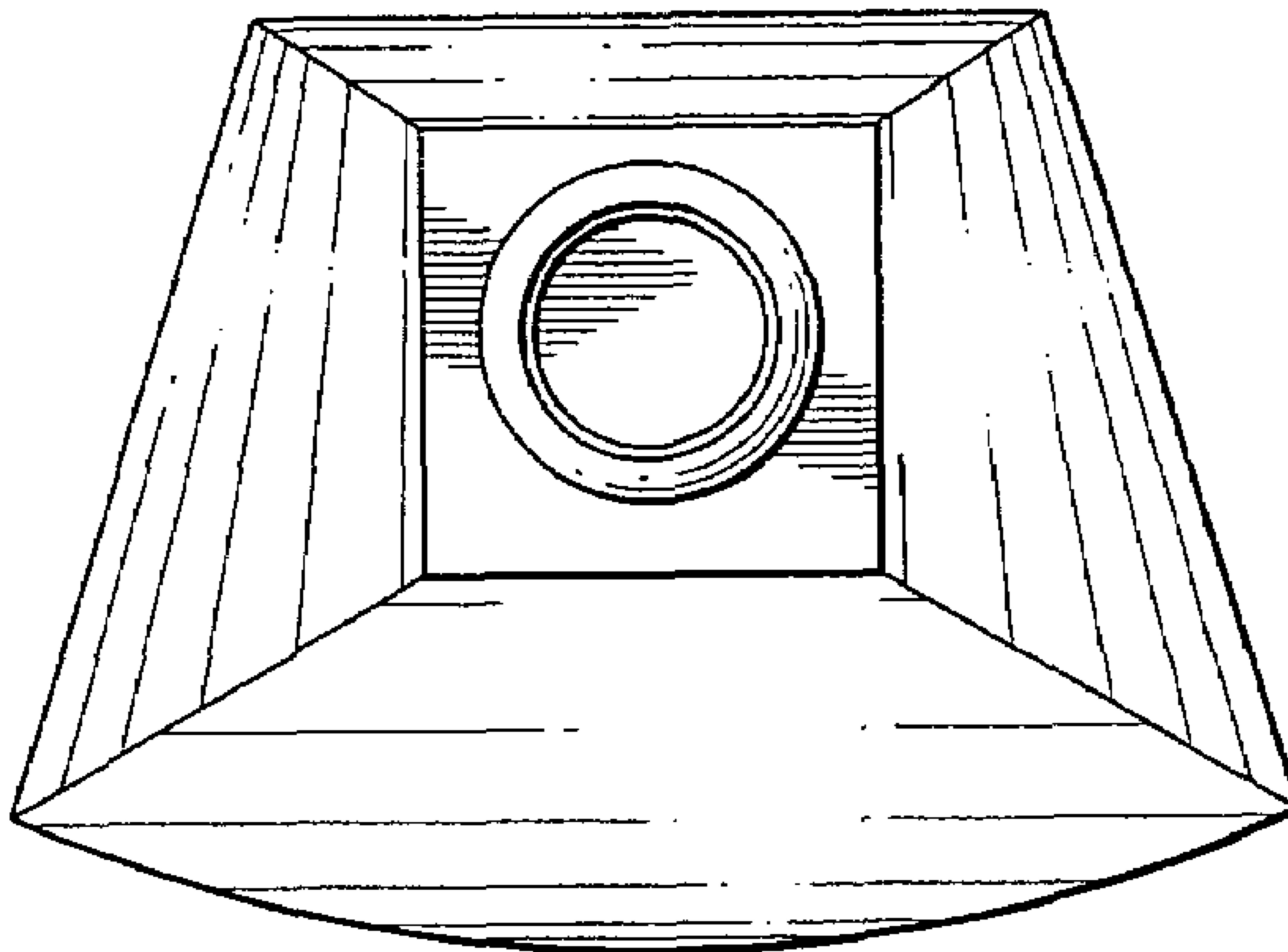
FIG. 1 is a top view of a tip for a furniture leg showing my new design;

FIG. 2 is a perspective view thereof;

FIG. 3 is a side perspective view thereof; and,

FIG. 4 is a top perspective view thereof.

**1 Claim, 1 Drawing Sheet**



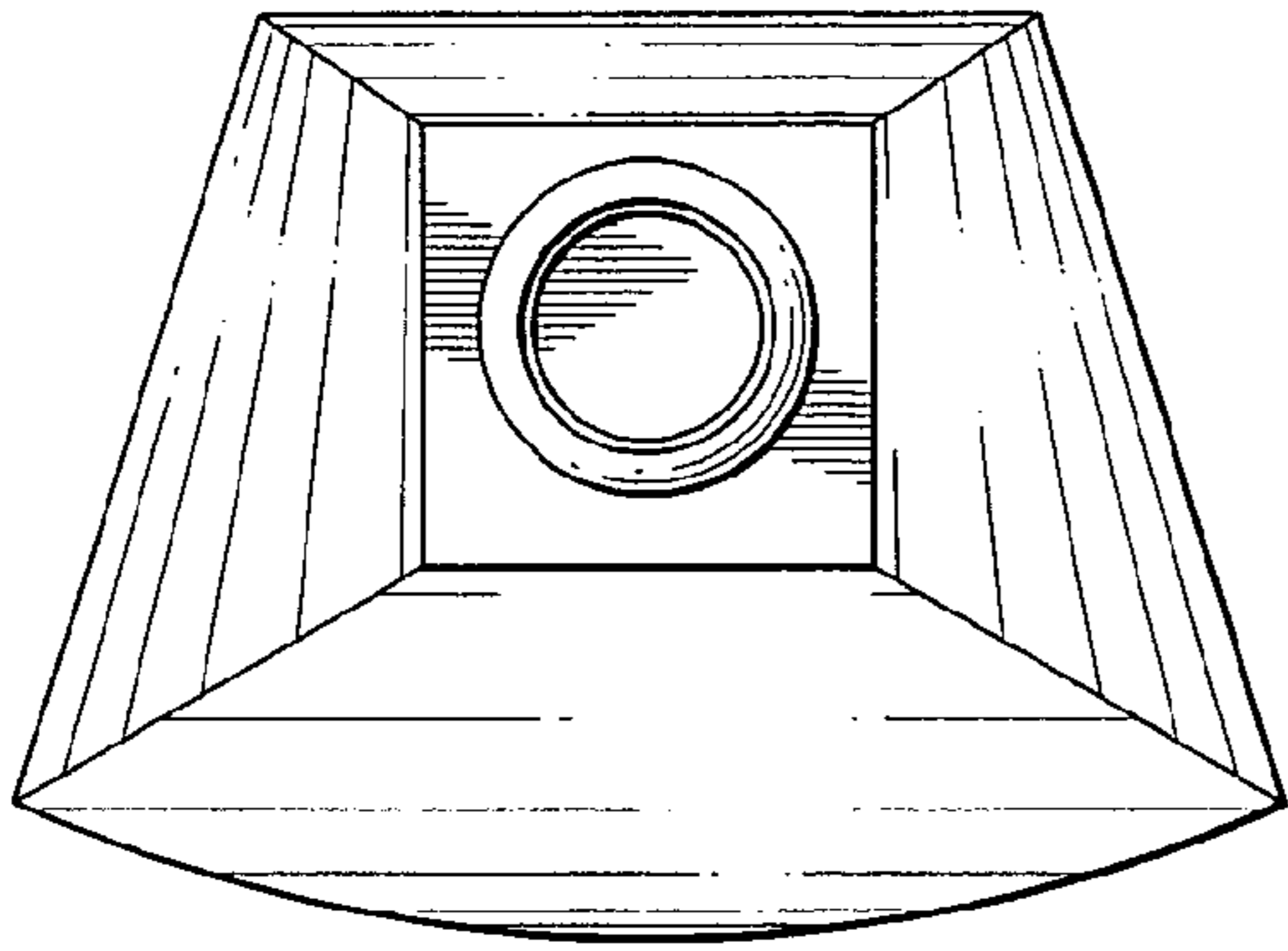


FIG. 1

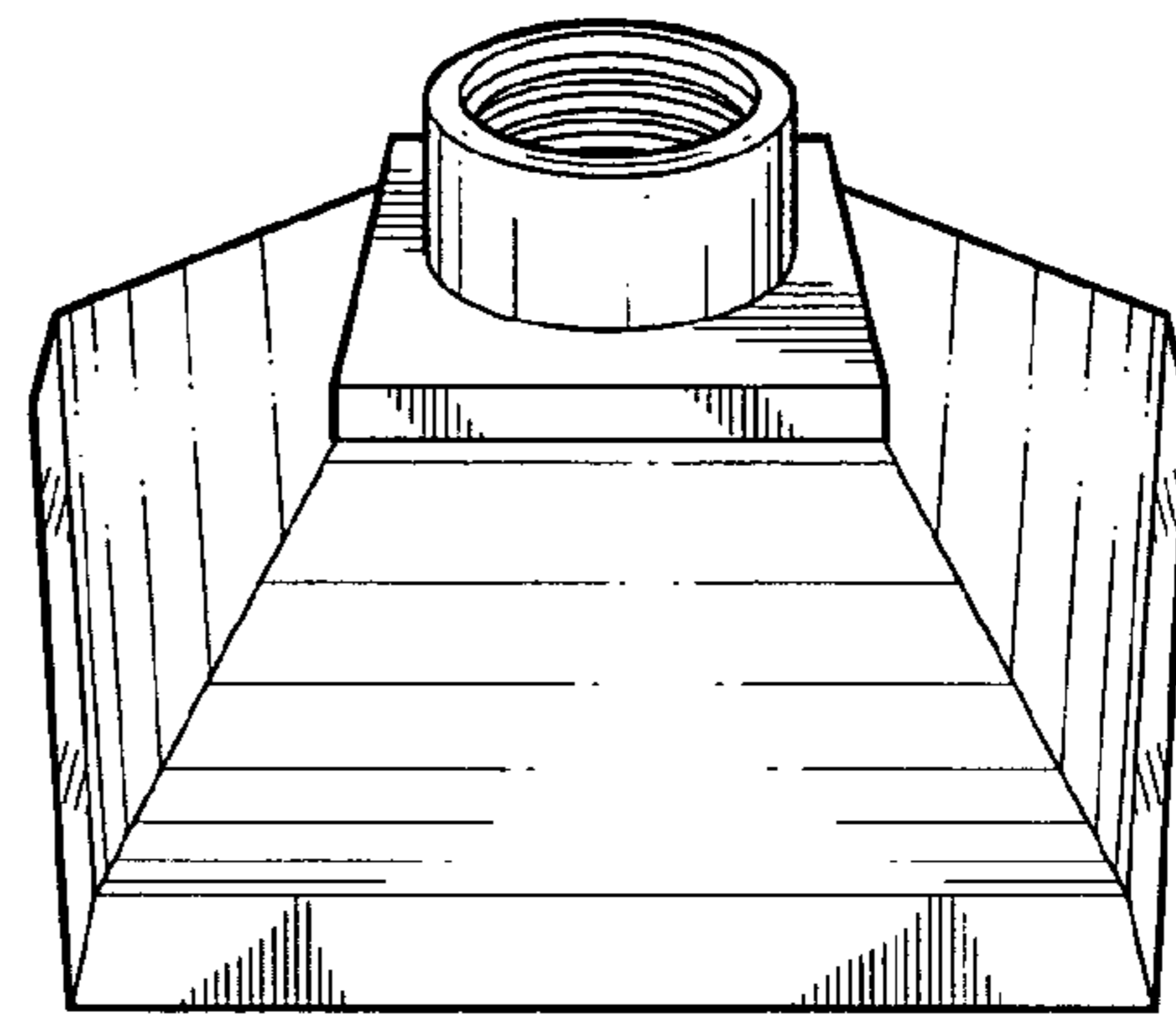


FIG. 2

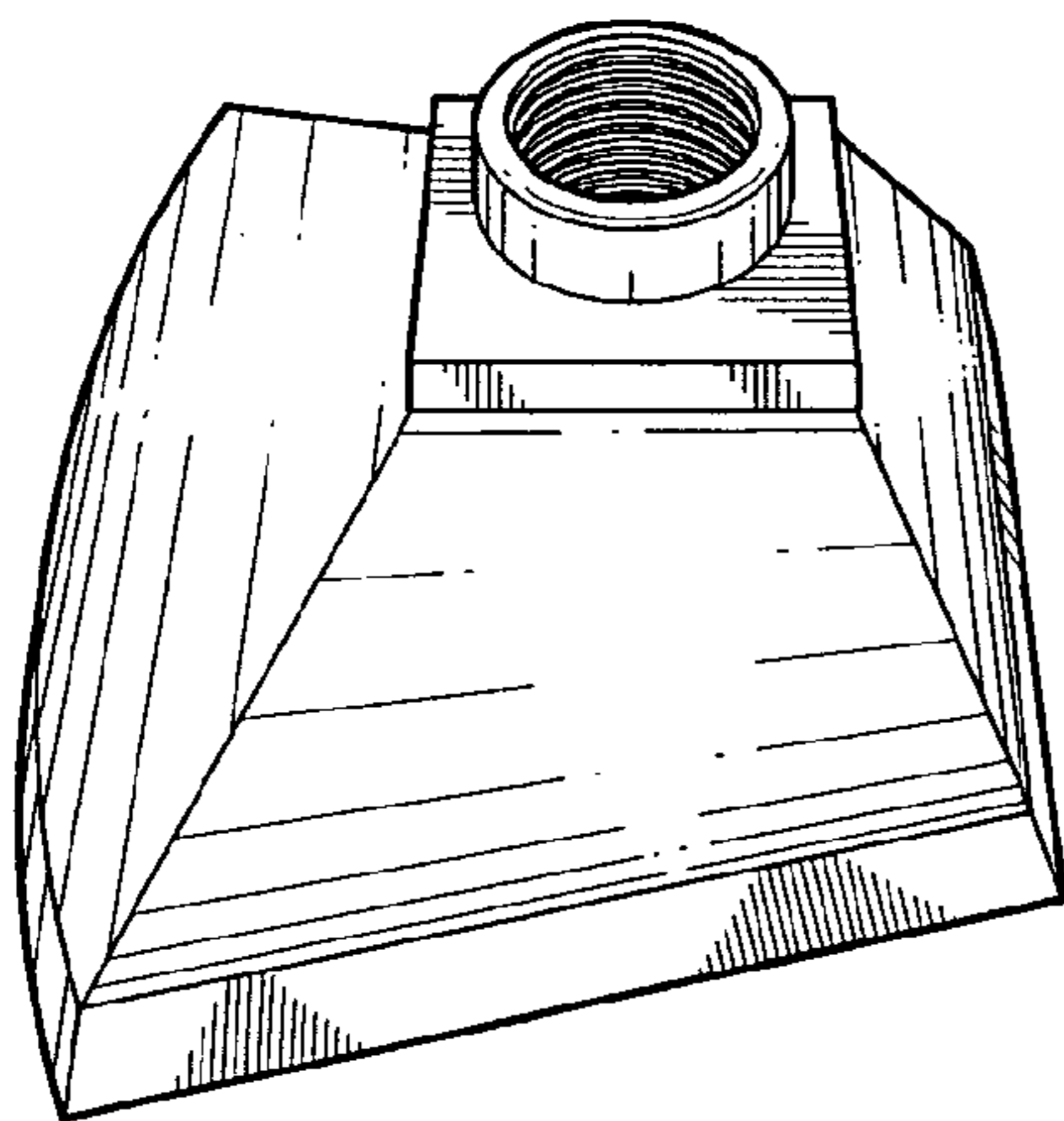


FIG. 3

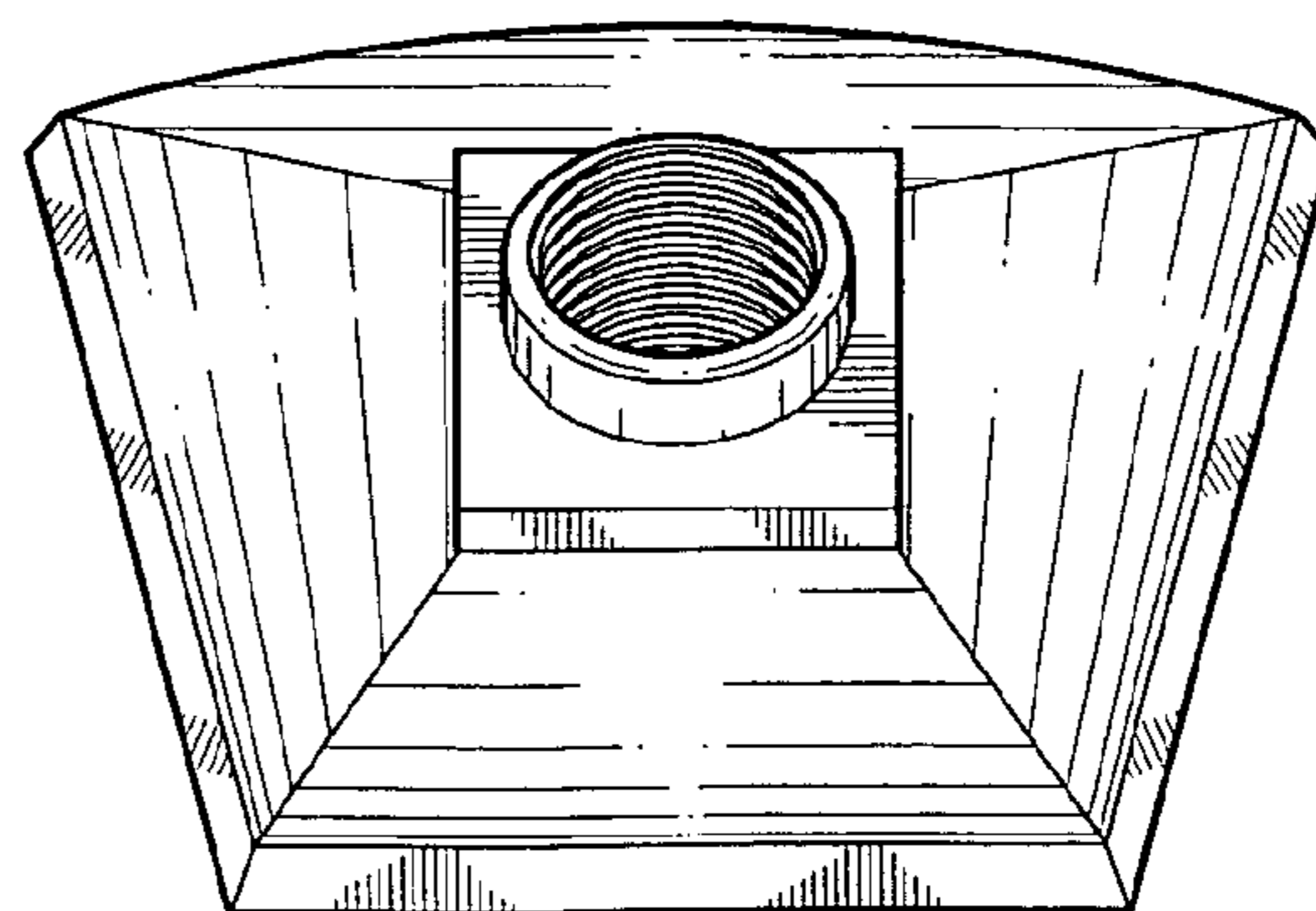


FIG. 4