

US00D549001S

(12) **United States Design Patent**  
**Brandon**

(10) **Patent No.:** **US D549,001 S**

(45) **Date of Patent:** **\*\* Aug. 21, 2007**

(54) **CABINET**

D382,886 S \* 8/1997 Fløysvik ..... D15/79  
D515,847 S \* 2/2006 Moon et al. .... D6/477

(75) Inventor: **John Bradford Brandon**, Attica, NY  
(US)

**OTHER PUBLICATIONS**

The Office Furniture Mart, 1988, Rollabout Pedestal, p. 37.\*

\* cited by examiner

(73) Assignee: **Artone Manufacturing Co., Inc.**,  
Jamestown, NY (US)

*Primary Examiner*—Cathron C. Brooks

*Assistant Examiner*—Kelley A. Donnelly

(\*\*) Term: **14 Years**

(74) *Attorney, Agent, or Firm*—Coats & Bennett, P.L.L.C.

(21) Appl. No.: **29/260,521**

(57) **CLAIM**

(22) Filed: **May 25, 2006**

The ornamental design for a cabinet, as shown and described.

(51) **LOC (8) Cl.** ..... **06-04**

(52) **U.S. Cl.** ..... **D6/436**

(58) **Field of Classification Search** ..... D6/459,  
D6/470, 436–439, 445–446, 477; 312/194,  
312/198, 114, 204, 224, 278, 279; D34/14,  
D34/21, 17, 19

**DESCRIPTION**

See application file for complete search history.

FIG. 1 is a perspective view of the cabinet.

FIG. 2 is a front elevational view of the cabinet; and,

FIG. 3 is a side elevational view of the cabinet with the opposite side being a mirror image of the same.

Portions of the design shown in broken lines form no part of the claimed design.

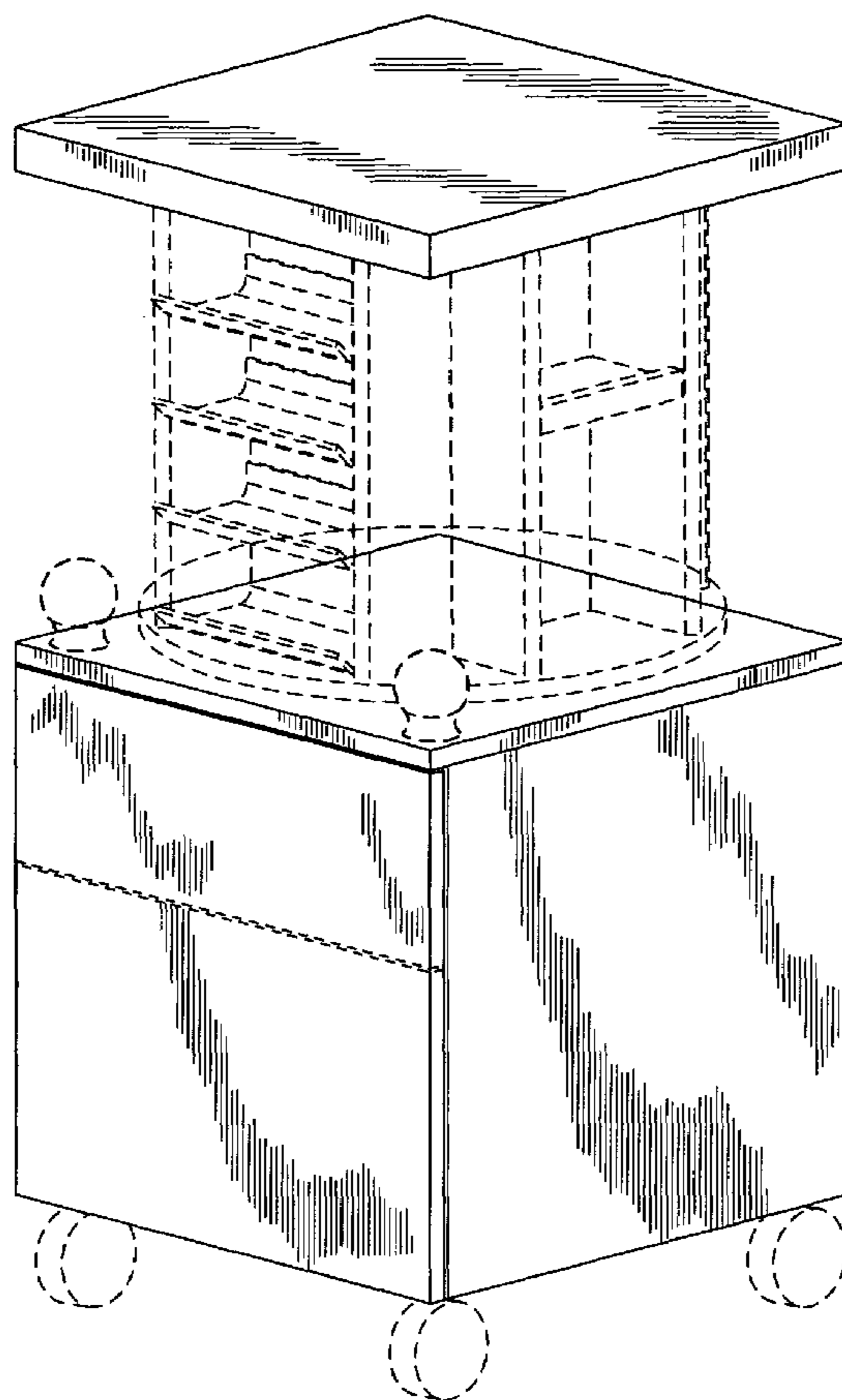
The bottom and back portions of the cabinet form no part of the claimed design.

(56) **References Cited**

**U.S. PATENT DOCUMENTS**

168,464 A \* 10/1875 Levinger ..... 278/48  
367,975 A \* 8/1887 Robertson ..... 416/11  
D231,814 S \* 6/1974 Weaver ..... D6/442  
D374,364 S \* 10/1996 Morris ..... D6/559

**1 Claim, 3 Drawing Sheets**



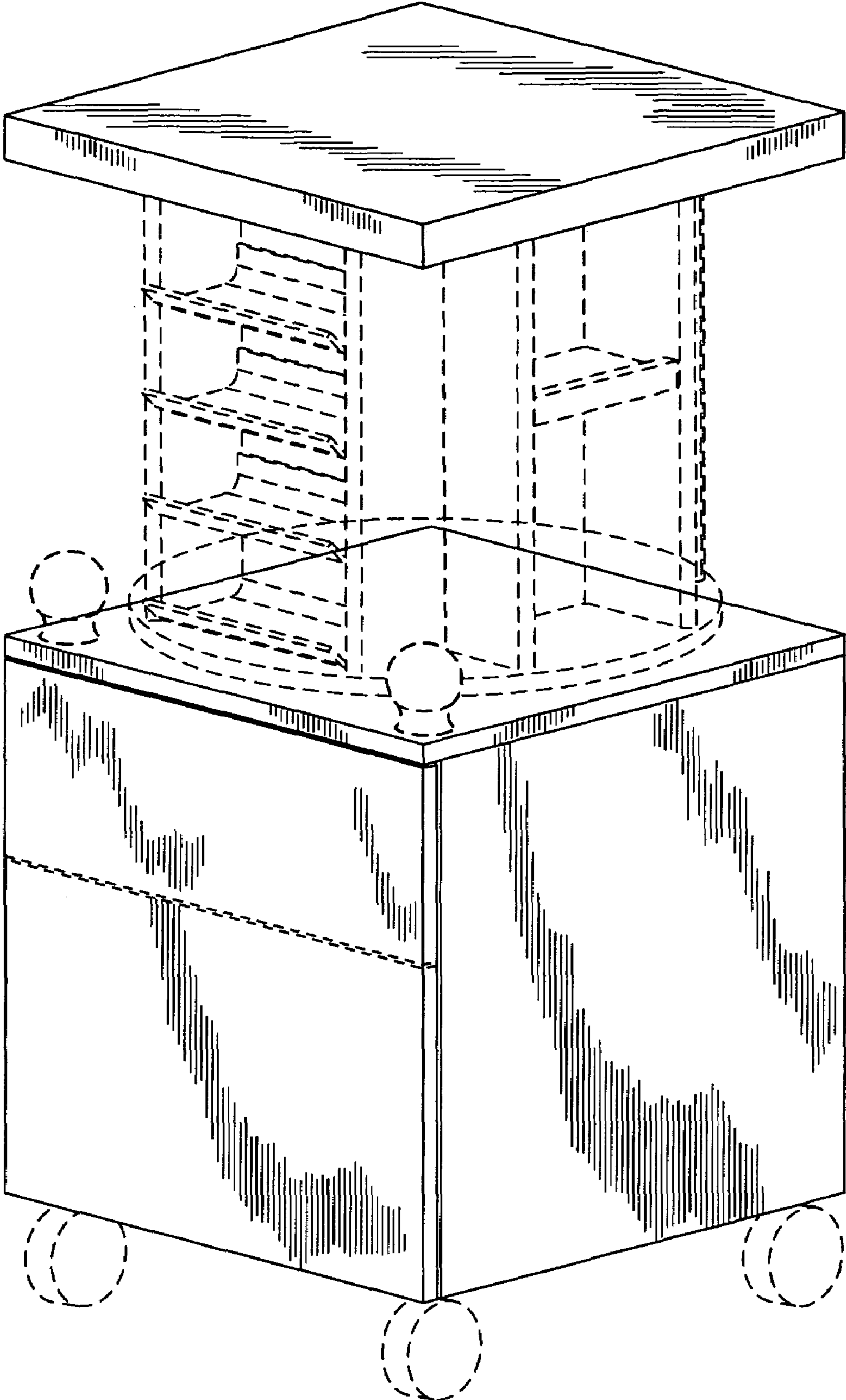


FIG. 1

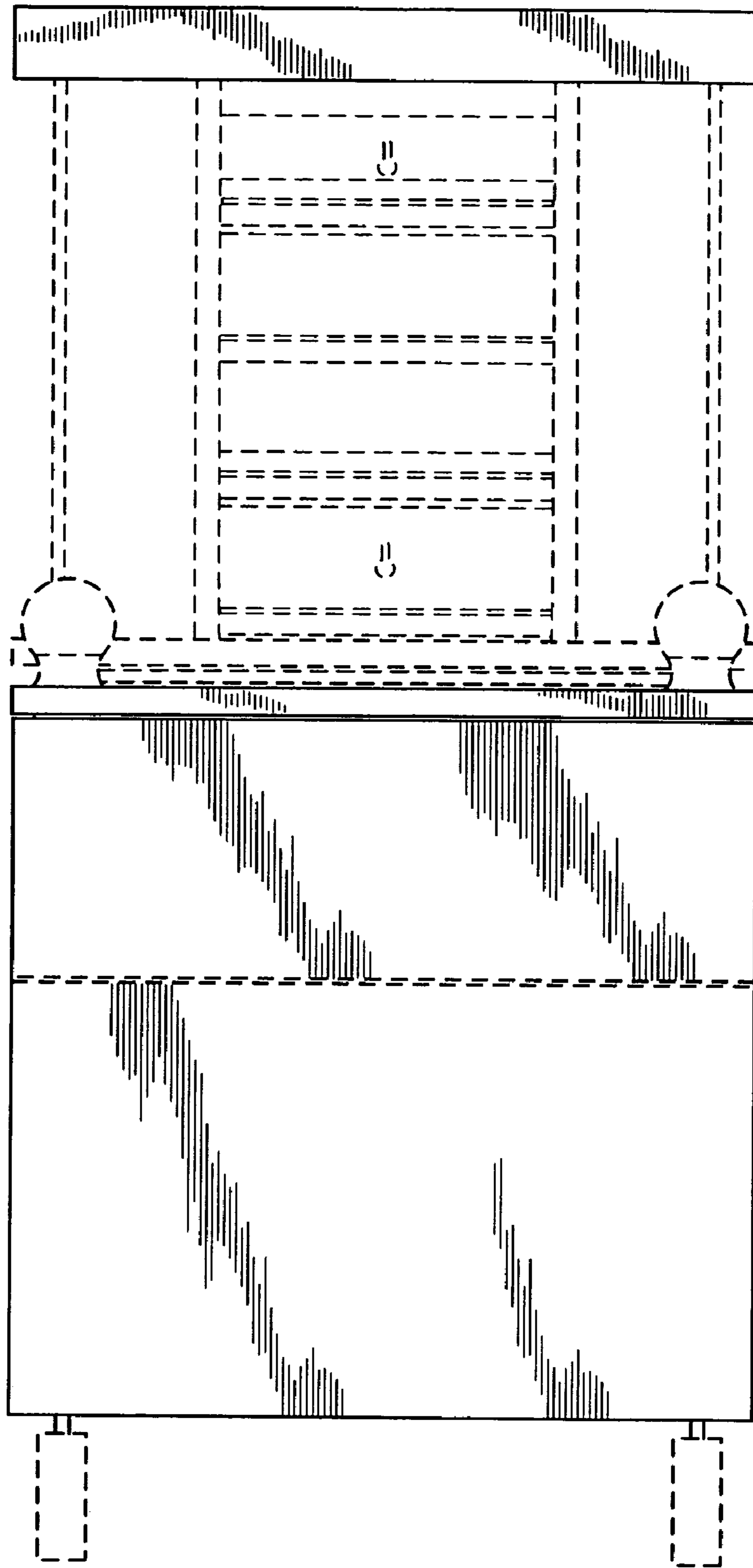
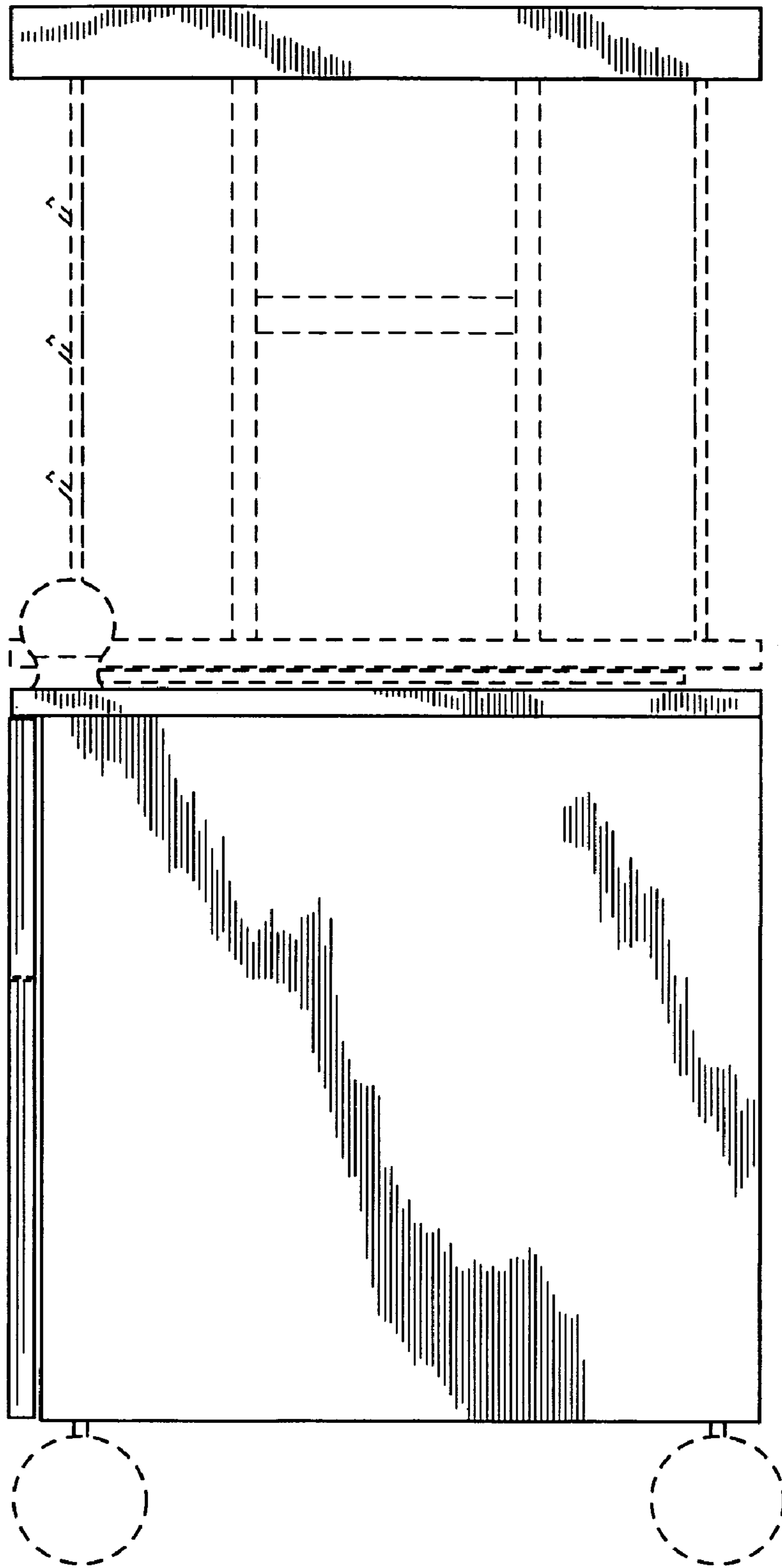


FIG. 2



**FIG. 3**