

US00D548997S

(12) **United States Design Patent**
Nicoletti

(10) **Patent No.:** **US D548,997 S**

(45) **Date of Patent:** **** Aug. 21, 2007**

(54) **SOFA**

(75) Inventor: **Giuseppe Nicoletti**, Matera (IT)

(73) Assignee: **Nicoletti S.p.A.**, Matera (MT) (IT)

(**) Term: **14 Years**

(21) Appl. No.: **29/239,877**

(22) Filed: **Oct. 6, 2005**

(30) **Foreign Application Priority Data**

Apr. 7, 2005 (IT) RM2005O0022

(51) **LOC (8) Cl.** **06-01**

(52) **U.S. Cl.** **D6/381**

(58) **Field of Classification Search** D6/334-336,
D6/361, 371, 381, 500-502, 492; 297/445.1,
297/446.1, 232, 248; 5/12.1

See application file for complete search history.

(56) **References Cited**

U.S. PATENT DOCUMENTS

D94,831 S *	3/1935	Granovsky	D6/381
D104,823 S *	6/1937	Swearingen	D6/381
D167,124 S *	6/1952	Tuttle	D6/381
D255,624 S *	7/1980	Mosca	D6/334
D277,240 S *	1/1985	Dunbar et al.	D6/381
D355,784 S *	2/1995	Natuzzi et al.	D6/381
D460,284 S *	7/2002	Natuzzi et al.	D6/381
D466,325 S *	12/2002	Nicoletti	D6/381
D467,091 S *	12/2002	Natuzzi et al.	D6/381
D474,908 S *	5/2003	Ricci	D6/381
D475,215 S *	6/2003	Ricci	D6/381
D477,152 S *	7/2003	Levy	D6/381

D487,644 S *	3/2004	Natuzzi	D6/381
D487,996 S *	4/2004	Natuzzi	D6/381
D489,915 S *	5/2004	Natuzzi	D6/381
D495,893 S *	9/2004	Ricci	D6/381
D498,942 S *	11/2004	Ricci	D6/381
D499,262 S *	12/2004	Ricci	D6/381
D499,263 S *	12/2004	Ricci	D6/381
D515,333 S *	2/2006	Natuzzi	D6/381
D515,334 S *	2/2006	Natuzzi	D6/381
D519,744 S *	5/2006	Nicoletti	D6/381
D520,260 S *	5/2006	Natuzzi	D6/381
D521,269 S *	5/2006	Natuzzi	D6/381
D521,765 S *	5/2006	Natuzzi	D6/381
D524,073 S *	7/2006	Nicoletti	D6/381
D527,541 S *	9/2006	Natuzzi	D6/381
D527,543 S *	9/2006	Nicoletti	D6/381
D534,007 S *	12/2006	Nicoletti	D6/381

* cited by examiner

Primary Examiner—Sandra Snapp

(74) *Attorney, Agent, or Firm*—Young & Thompson

(57) **CLAIM**

The ornamental design for a sofa, as shown and described.

DESCRIPTION

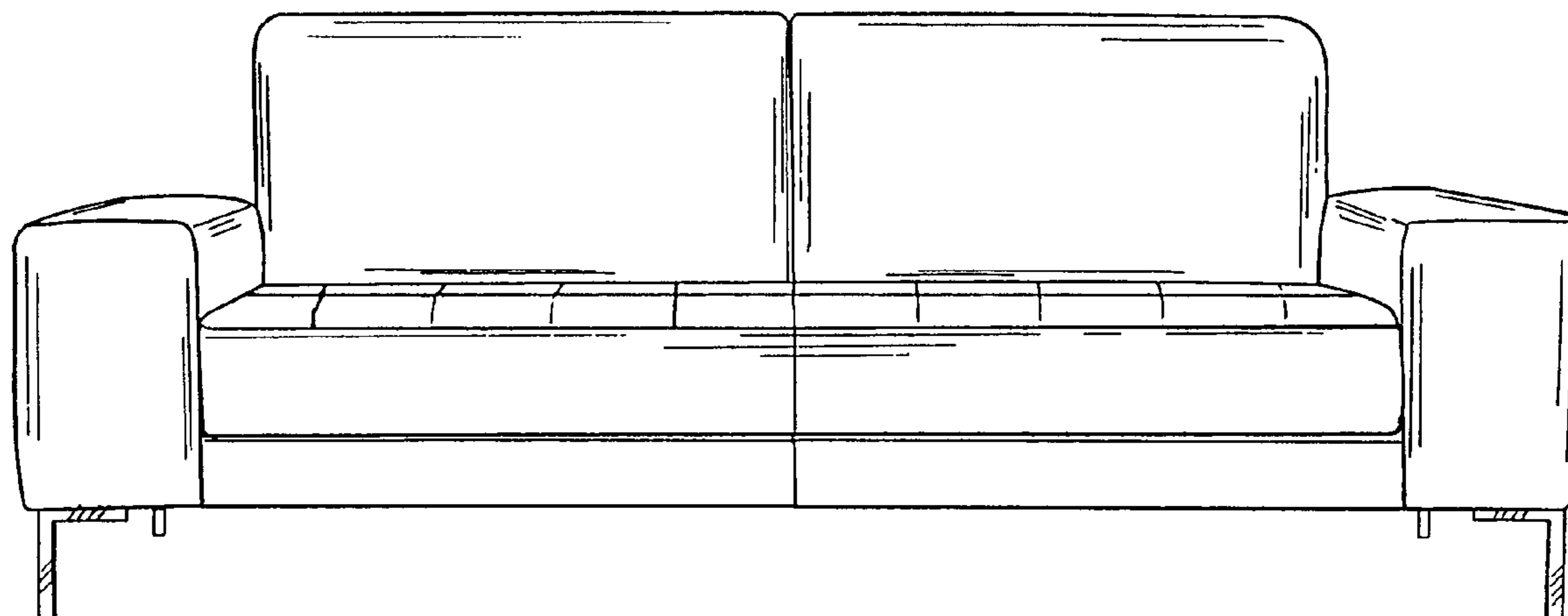
FIG. 1 is a front perspective view of a sofa showing my new design;

FIG. 2 is an end perspective view thereof taken from the left of FIG. 1, the end perspective view thereof taken from the right of FIG. 1 being the mirror image thereof;

FIG. 3 is a top perspective view thereof; and,

FIG. 4 is a rear perspective view thereof.

1 Claim, 4 Drawing Sheets



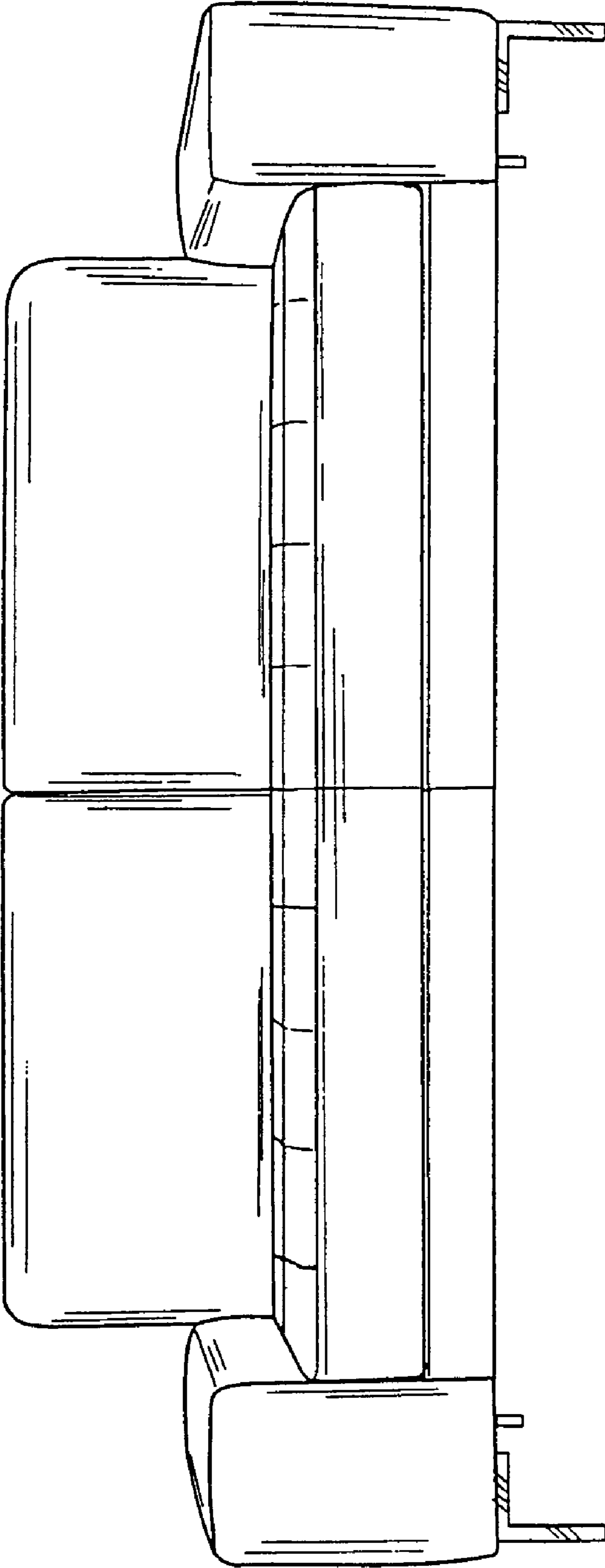


FIG. 1

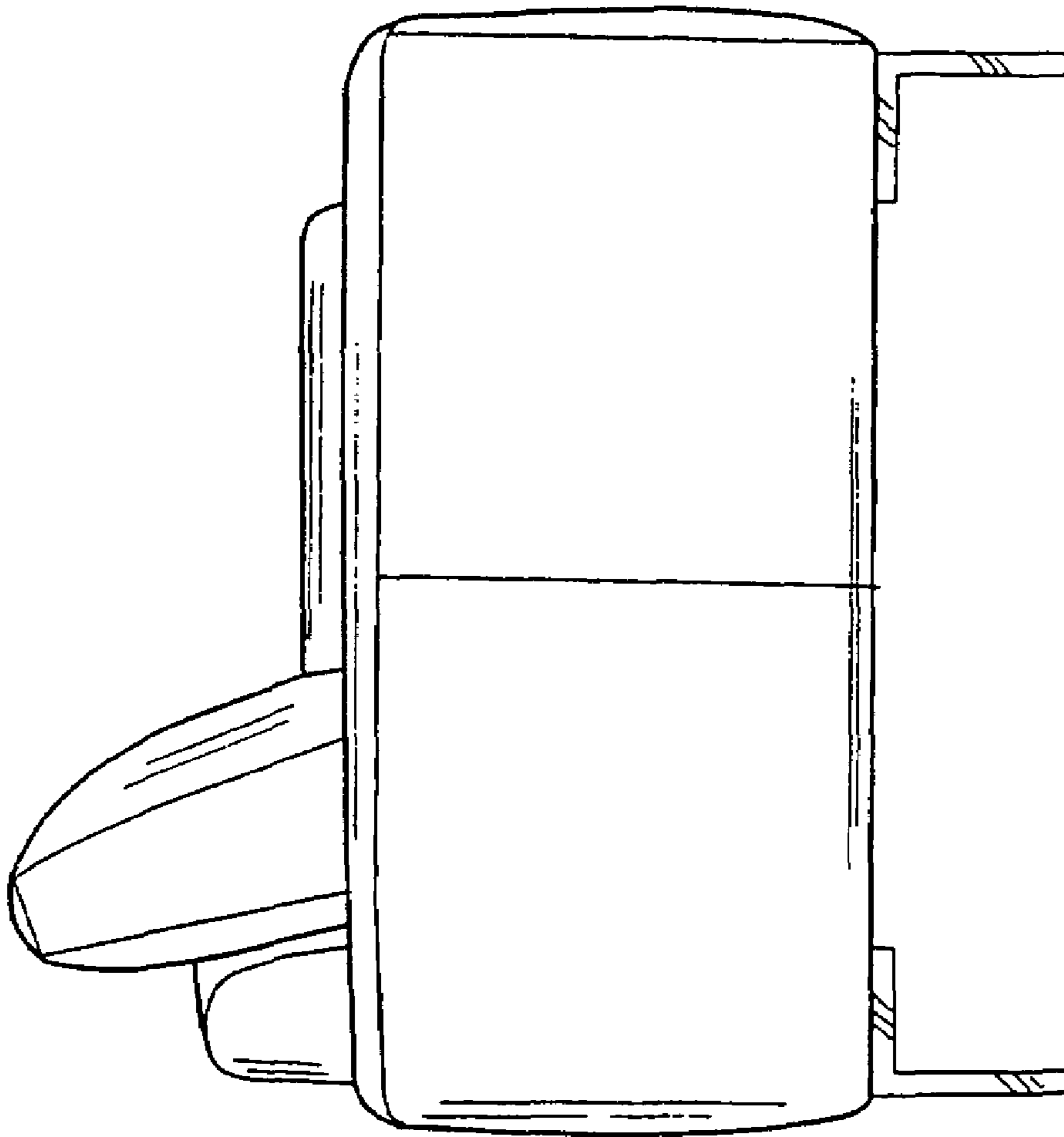


FIG. 2

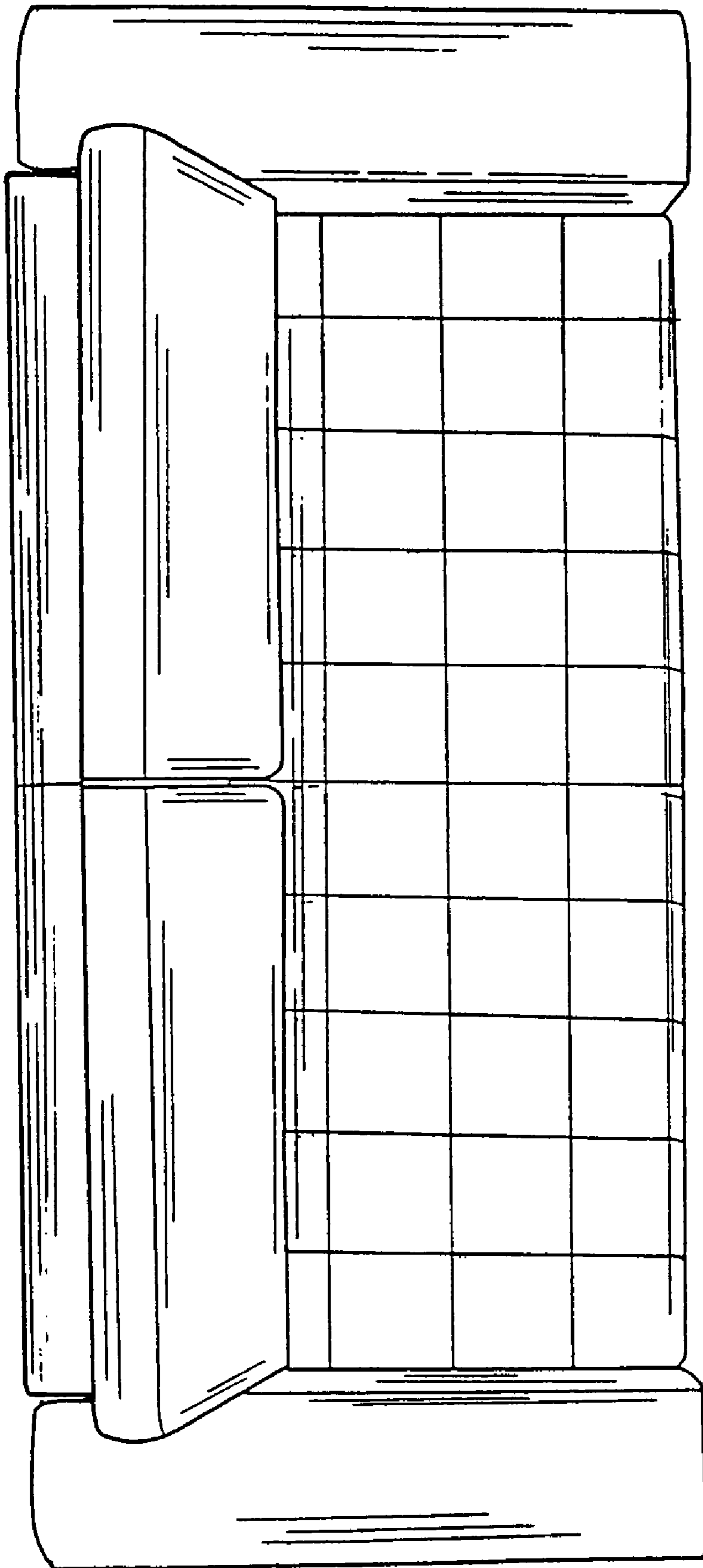


FIG. 3

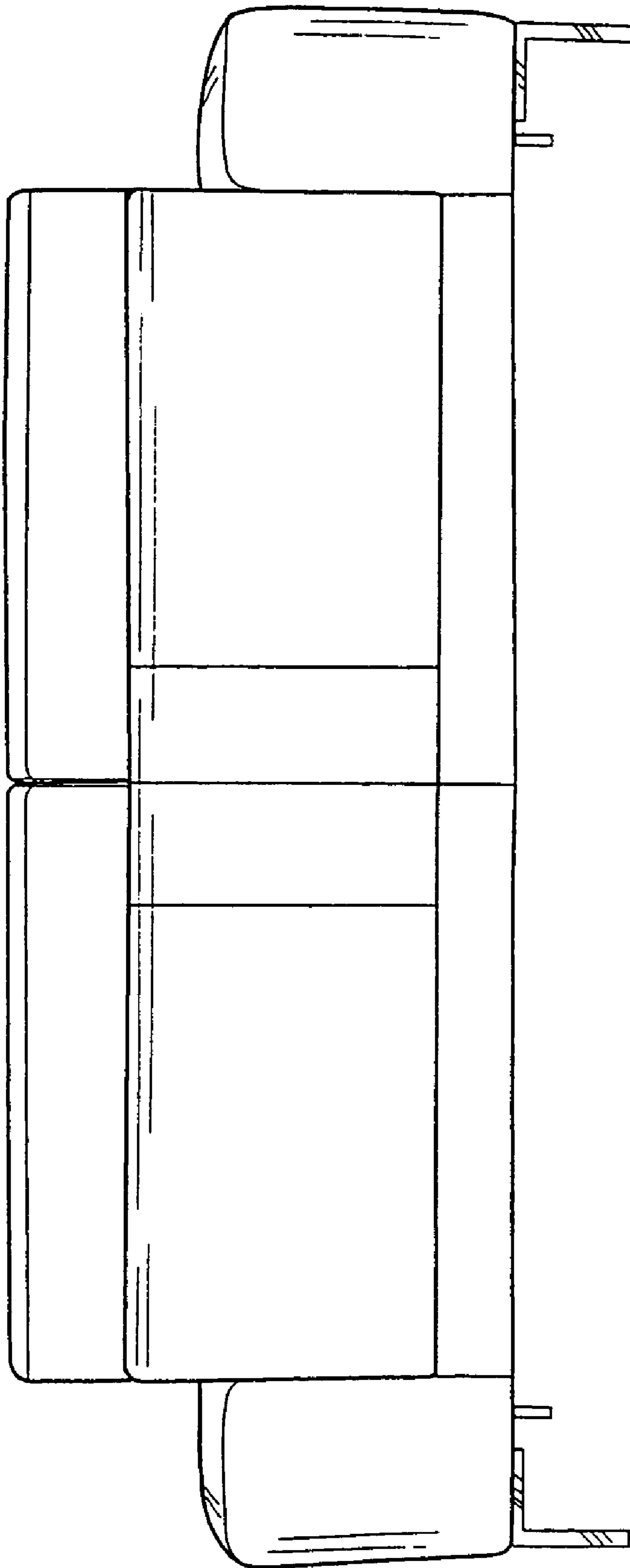


FIG. 4