

US00D548996S

(12) **United States Design Patent**
Cox

(10) **Patent No.:** **US D548,996 S**

(45) **Date of Patent:** **** Aug. 21, 2007**

(54) **PORTABLE TREE STAND**

(76) **Inventor:** **Matthew W. Cox**, HC 86, Box 4,
Springfield, WV (US) 26763

(**) **Term:** **14 Years**

(21) **Appl. No.:** **29/270,832**

(22) **Filed:** **Jan. 5, 2007**

(51) **LOC (8) Cl.** **06-01**

(52) **U.S. Cl.** **D6/368**

(58) **Field of Classification Search** D6/333-336,
D6/356, 367, 368, 374, 379, 380, 500-502;
182/142, 187; 297/183.5, 188.01, 188.04,
297/188.06, 352, 380, 381, 467, 468
See application file for complete search history.

(56) **References Cited**

U.S. PATENT DOCUMENTS

2,960,180	A *	11/1960	Wachtel	297/468
3,178,223	A *	4/1965	Martin	297/467
3,325,213	A *	6/1967	Levy	297/467
4,347,914	A	9/1982	Gary		
4,396,228	A *	8/1983	Go	297/484
4,553,635	A	11/1985	Johnson		
4,582,165	A	4/1986	Latini		
4,909,353	A *	3/1990	Govin et al.	182/187
5,165,500	A	11/1992	Bass		
5,180,030	A	1/1993	Smaby		
D360,308	S *	7/1995	Smith et al.	D6/333
5,439,074	A *	8/1995	Trout et al.	182/187
D372,804	S *	8/1996	McNamara et al.	D6/368

5,937,969	A *	8/1999	Woller et al.	182/187
6,223,854	B1	5/2001	Nolz		
D467,085	S *	12/2002	Kamiki	D6/333
D476,495	S *	7/2003	Tsai	D6/380
6,824,209	B1 *	11/2004	Redzisz et al.	297/183.5
6,945,361	B1	9/2005	Hedgepeth		
D522,263	S *	6/2006	Hart	D6/368
7,063,185	B2	6/2006	Green		

* cited by examiner

Primary Examiner—Mimosa De

(74) *Attorney, Agent, or Firm*—Stephen R. Greiner

(57) **CLAIM**

The ornamental design for a portable tree stand, as shown and described.

DESCRIPTION

FIG. 1 is a perspective view of a portable tree stand showing my new design;

FIG. 2 is a right side elevational view thereof;

FIG. 3 is a left side elevational view thereof;

FIG. 4 is a top view thereof;

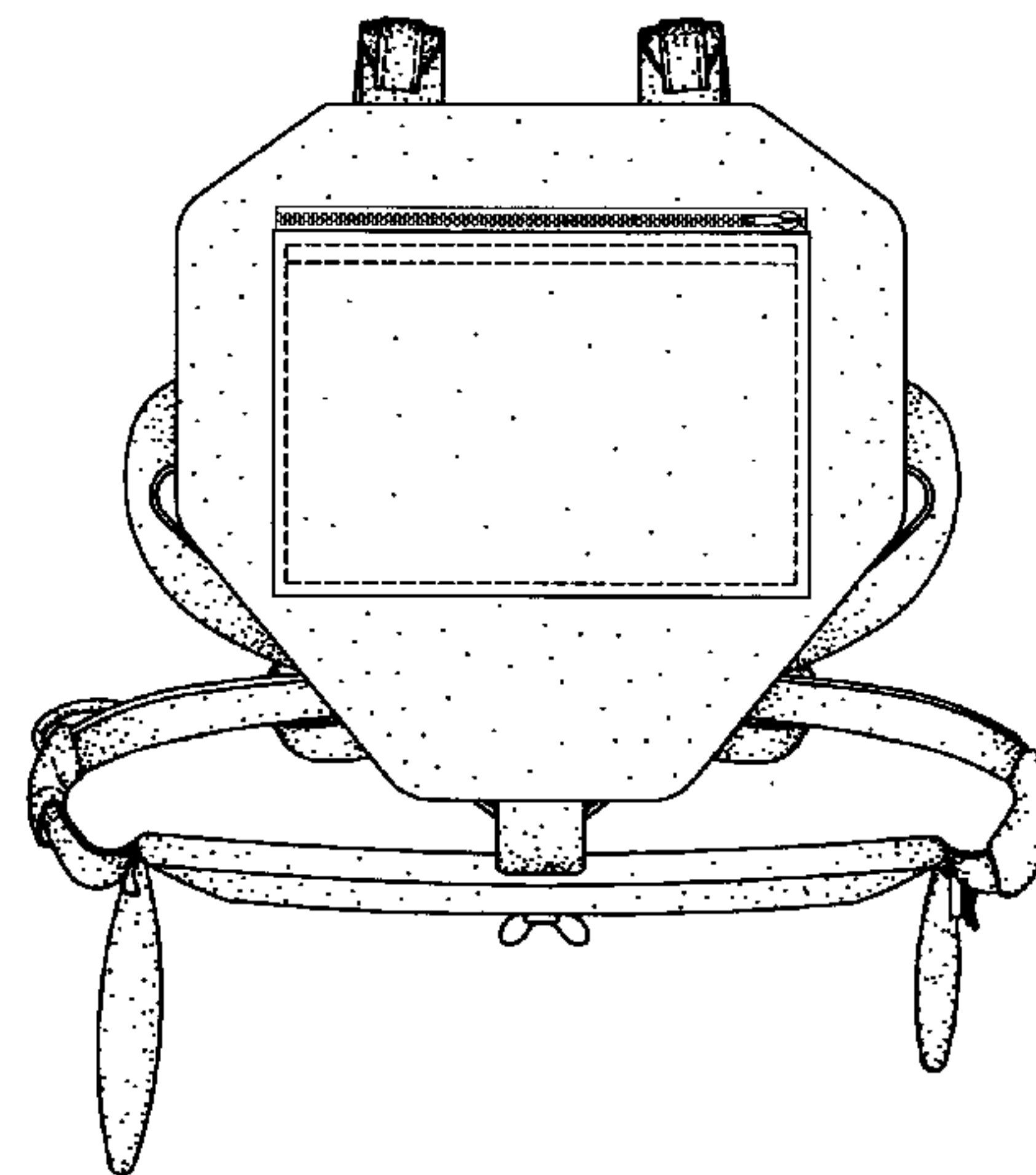
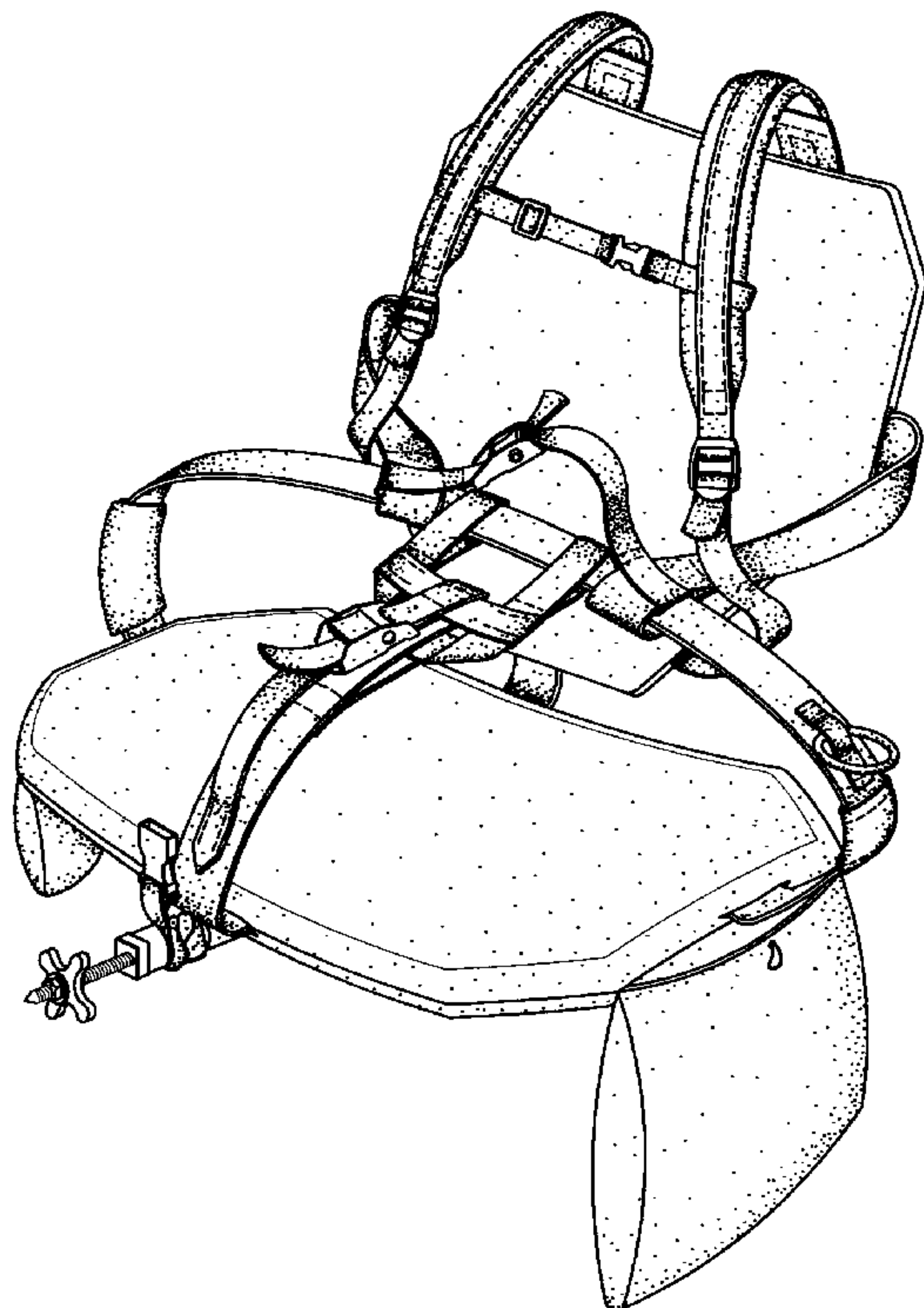
FIG. 5 is a bottom view thereof;

FIG. 6 is a front elevational view thereof; and,

FIG. 7 is a rear elevational view thereof.

The broken lines in the figures represent stitching being part of the claimed design.

1 Claim, 4 Drawing Sheets



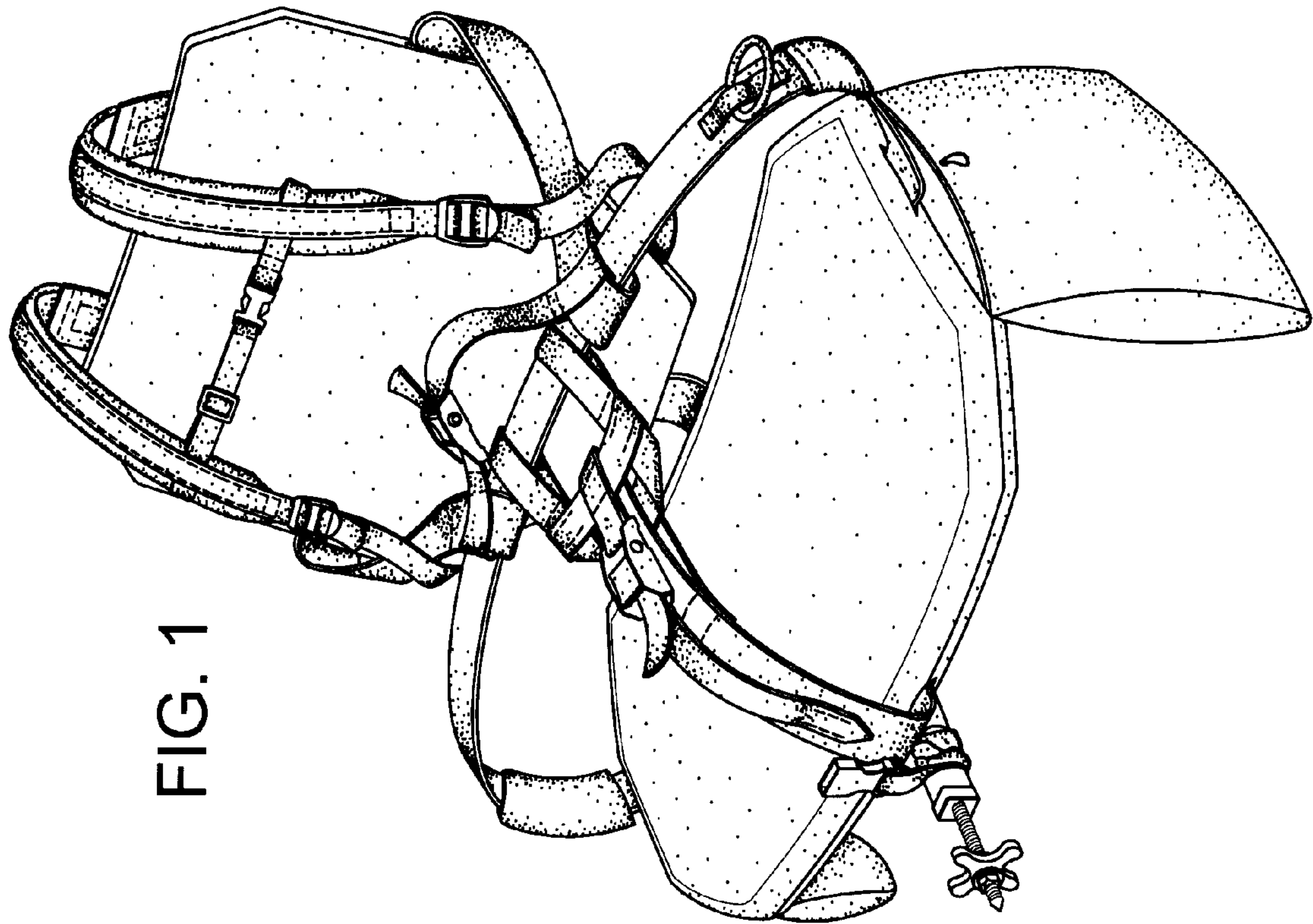


FIG. 1

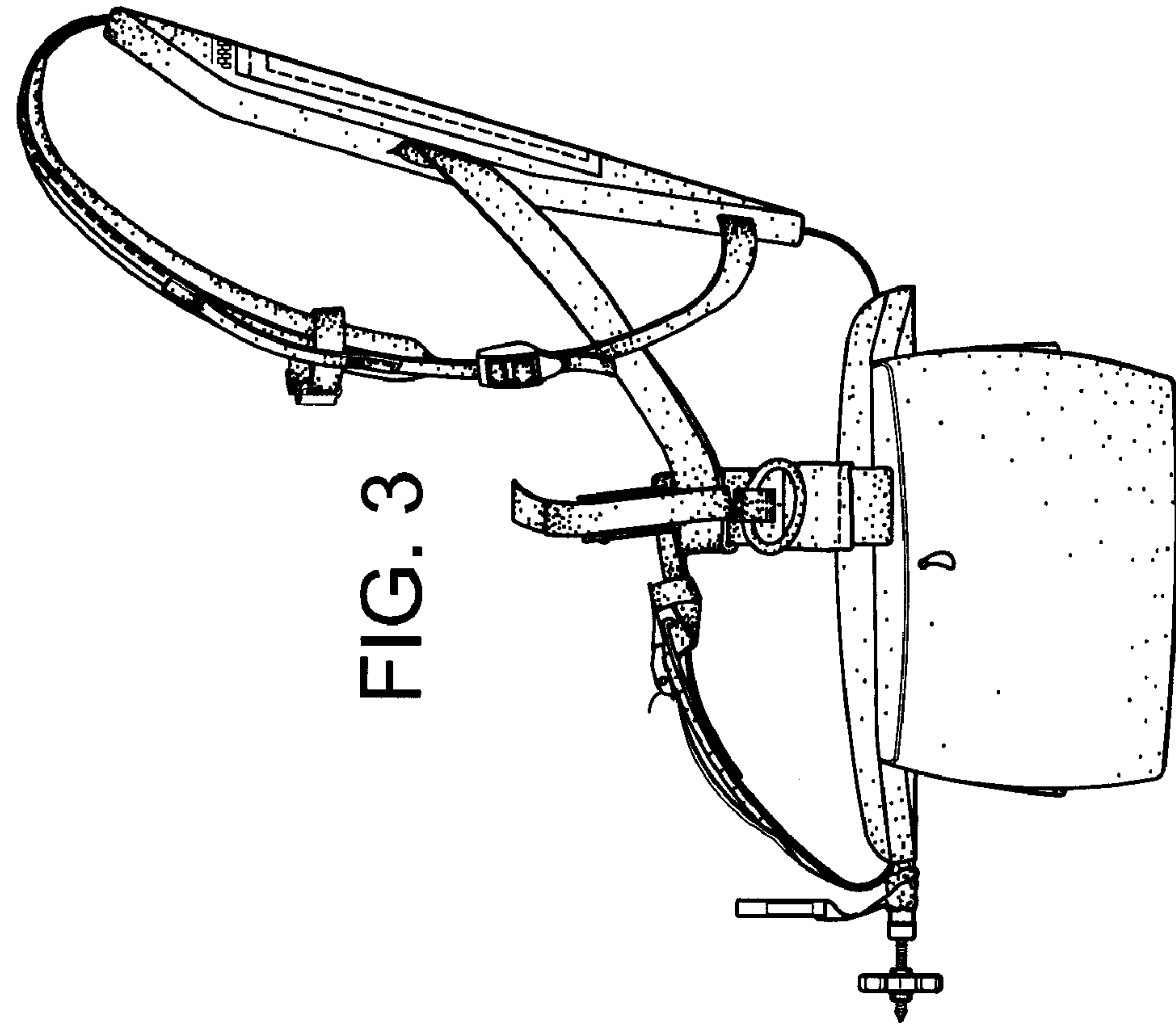


FIG. 3

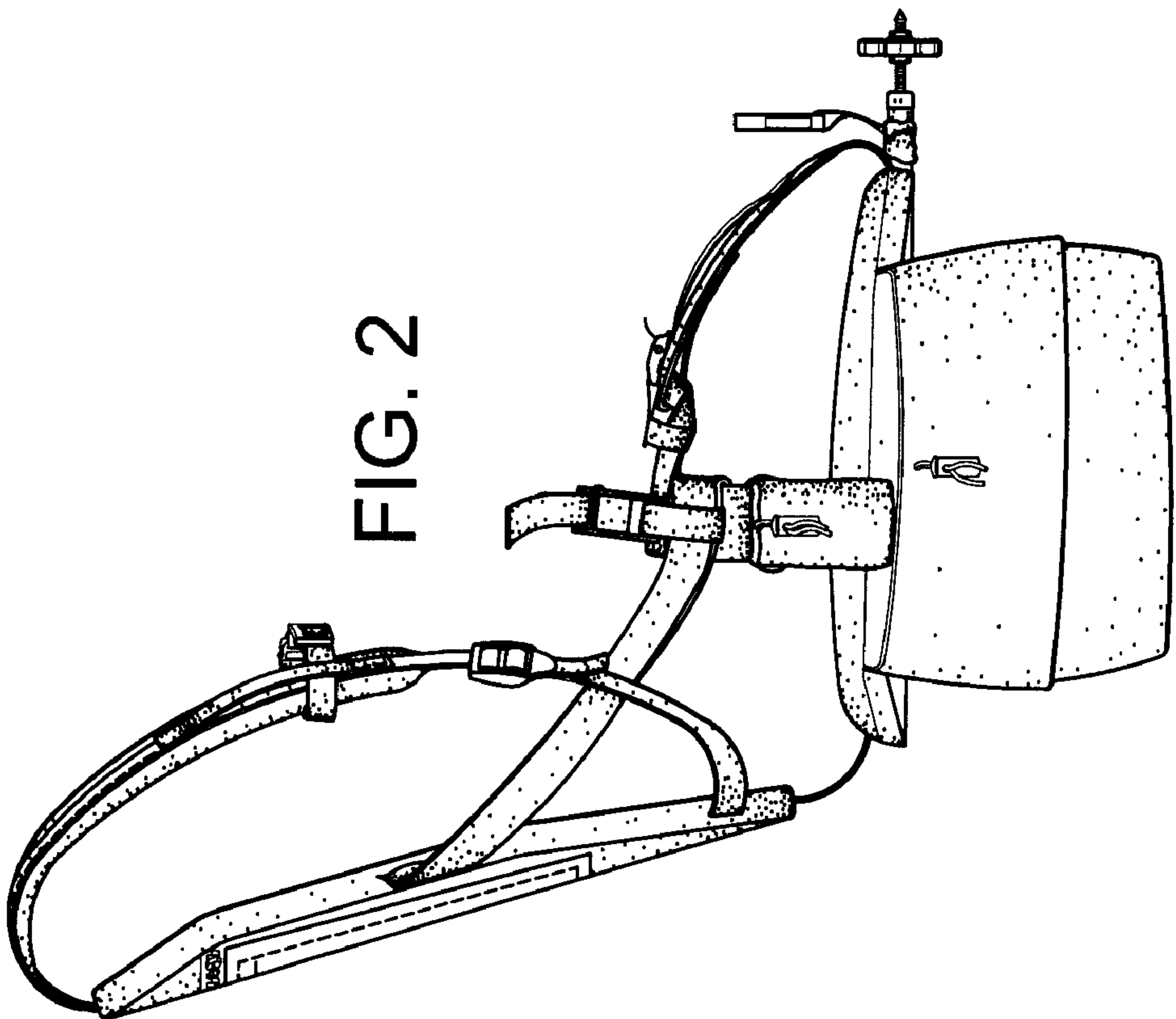


FIG. 2

FIG. 5

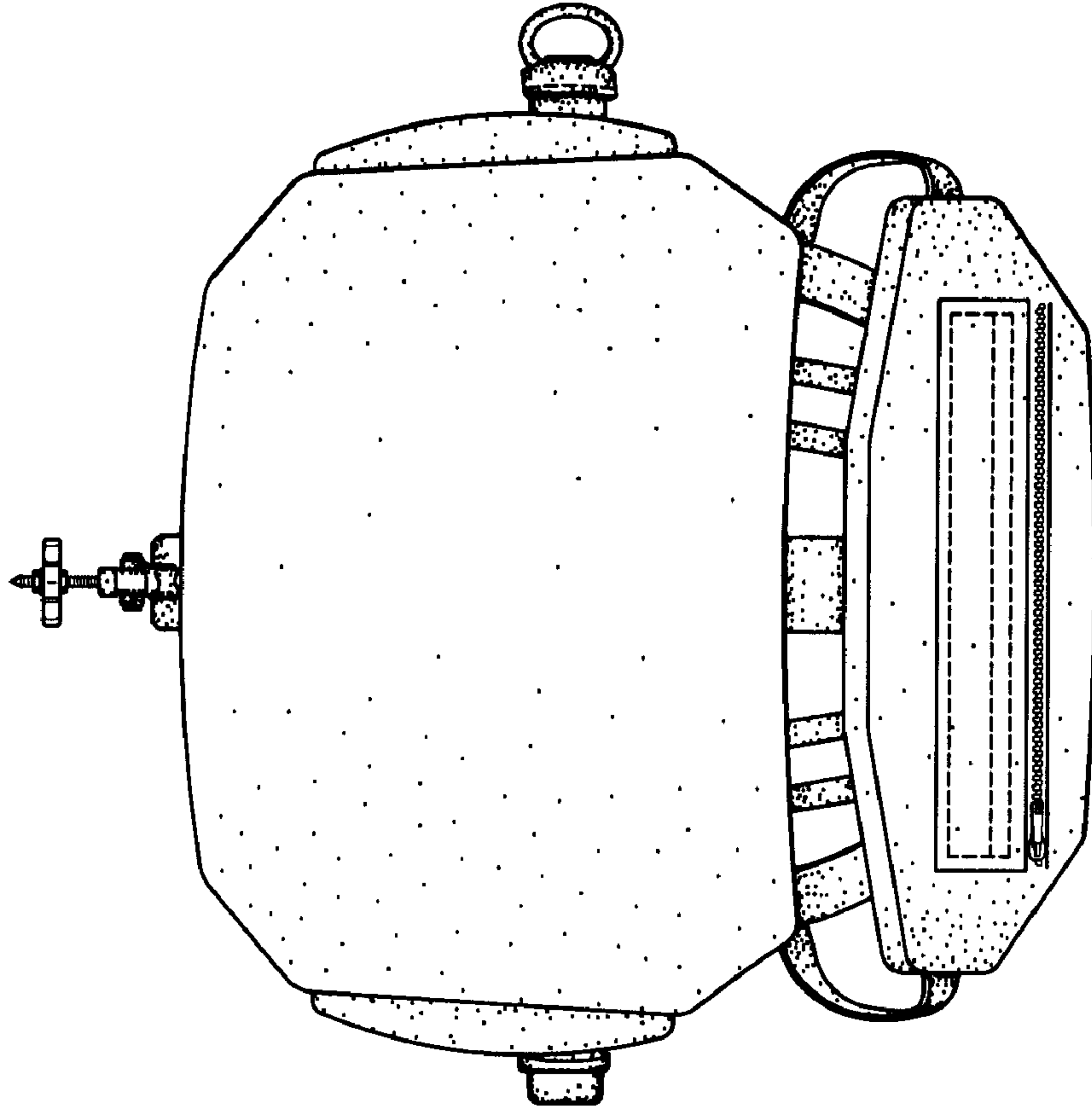


FIG. 4

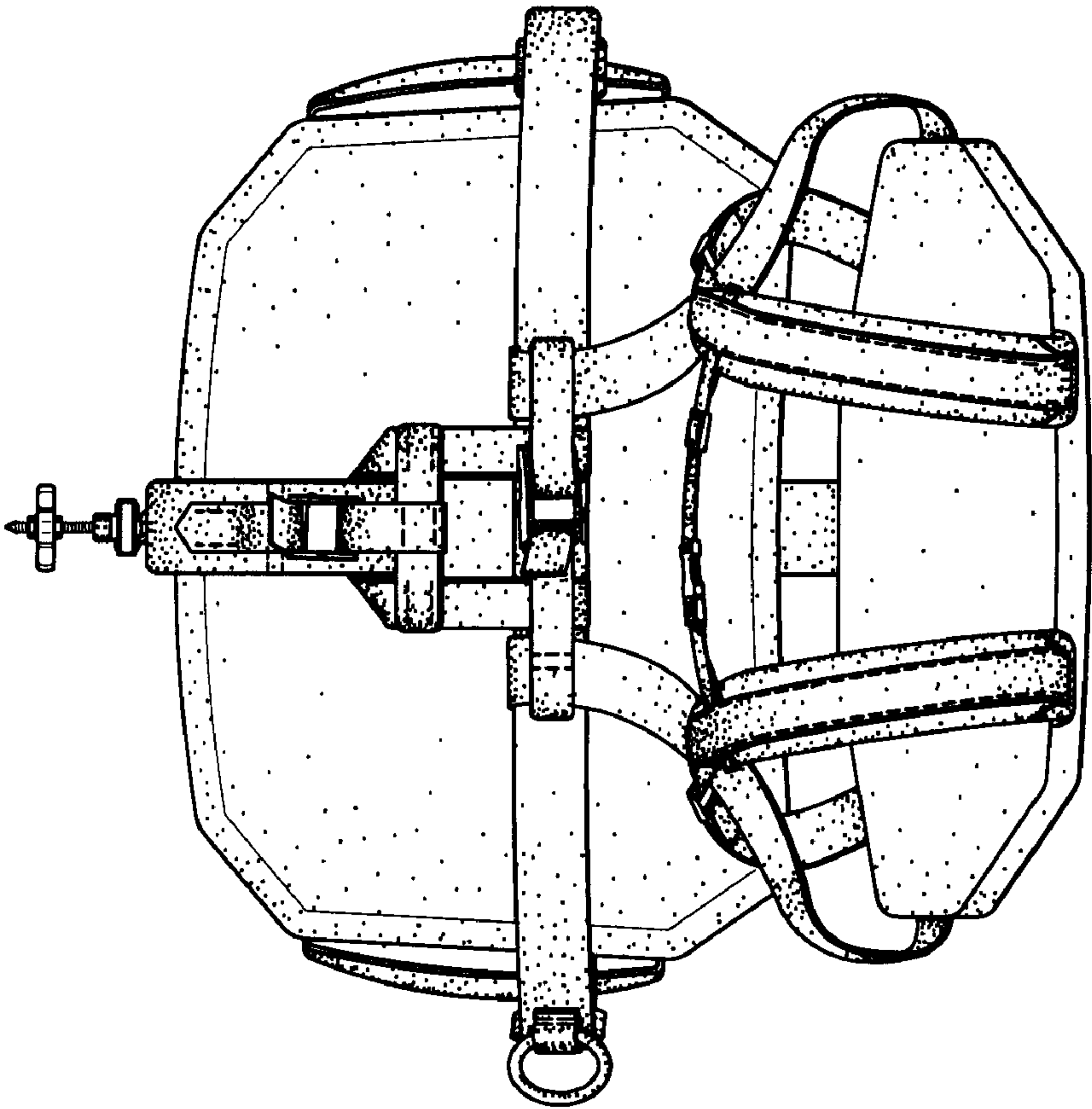


FIG.7

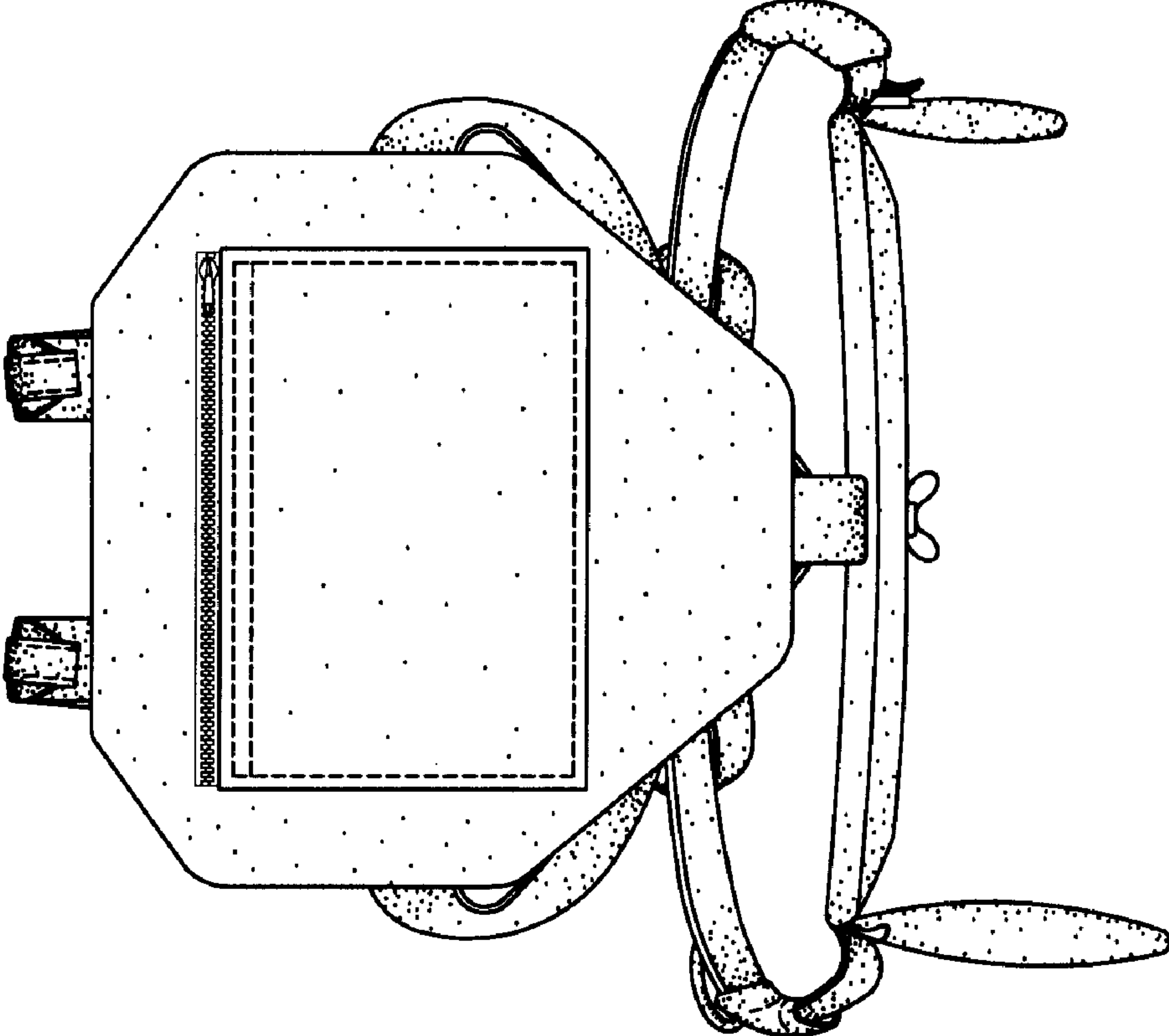


FIG.6

