

US00D548995S

(12) **United States Design Patent**  
Ng

(10) **Patent No.:** **US D548,995 S**

(45) **Date of Patent:** **\*\* Aug. 21, 2007**

(54) **RECLINING MASSAGE CHAIR**

(75) Inventor: **Elwyn Kwang Ling Ng**, Singapore  
(SG)

(73) Assignee: **OSIM International Ltd.**, Singapore  
(SG)

(\*\*) Term: **14 Years**

(21) Appl. No.: **29/275,873**

(22) Filed: **Jan. 9, 2007**

(51) **LOC (8) Cl.** ..... **06-01**

(52) **U.S. Cl.** ..... **D6/367**

(58) **Field of Classification Search** ..... D6/334-336,  
D6/360, 361, 367, 371, 373, 379, 500-502;  
297/68, 271.1, 271.2, 271.3, 411.45, 423.19,  
297/423.3, 353, 354.1; 601/49, 57-59, 97-99,  
601/102, 115, 116, 148, 149  
See application file for complete search history.

(56) **References Cited**

U.S. PATENT DOCUMENTS

- D471,372 S \* 3/2003 Inada et al. .... D6/367
- D491,375 S \* 6/2004 Yuyama ..... D6/335
- D502,607 S \* 3/2005 Miyake et al. .... D6/335
- D502,817 S \* 3/2005 Inada et al. .... D6/367
- D517,337 S \* 3/2006 Mori ..... D6/367
- D517,338 S \* 3/2006 Inada et al. .... D6/367
- D536,891 S \* 2/2007 Miyake et al. .... D6/367
- D537,262 S \* 2/2007 Lifeng ..... D6/367
- D537,643 S \* 3/2007 Miyake ..... D6/367

- D537,644 S \* 3/2007 Kawamura ..... D6/367
- D537,645 S \* 3/2007 Murata et al. .... D6/367
- D538,056 S \* 3/2007 Lifeng ..... D6/367

\* cited by examiner

*Primary Examiner*—Mimosa De

(74) *Attorney, Agent, or Firm*—Baker & McKenzie LLP

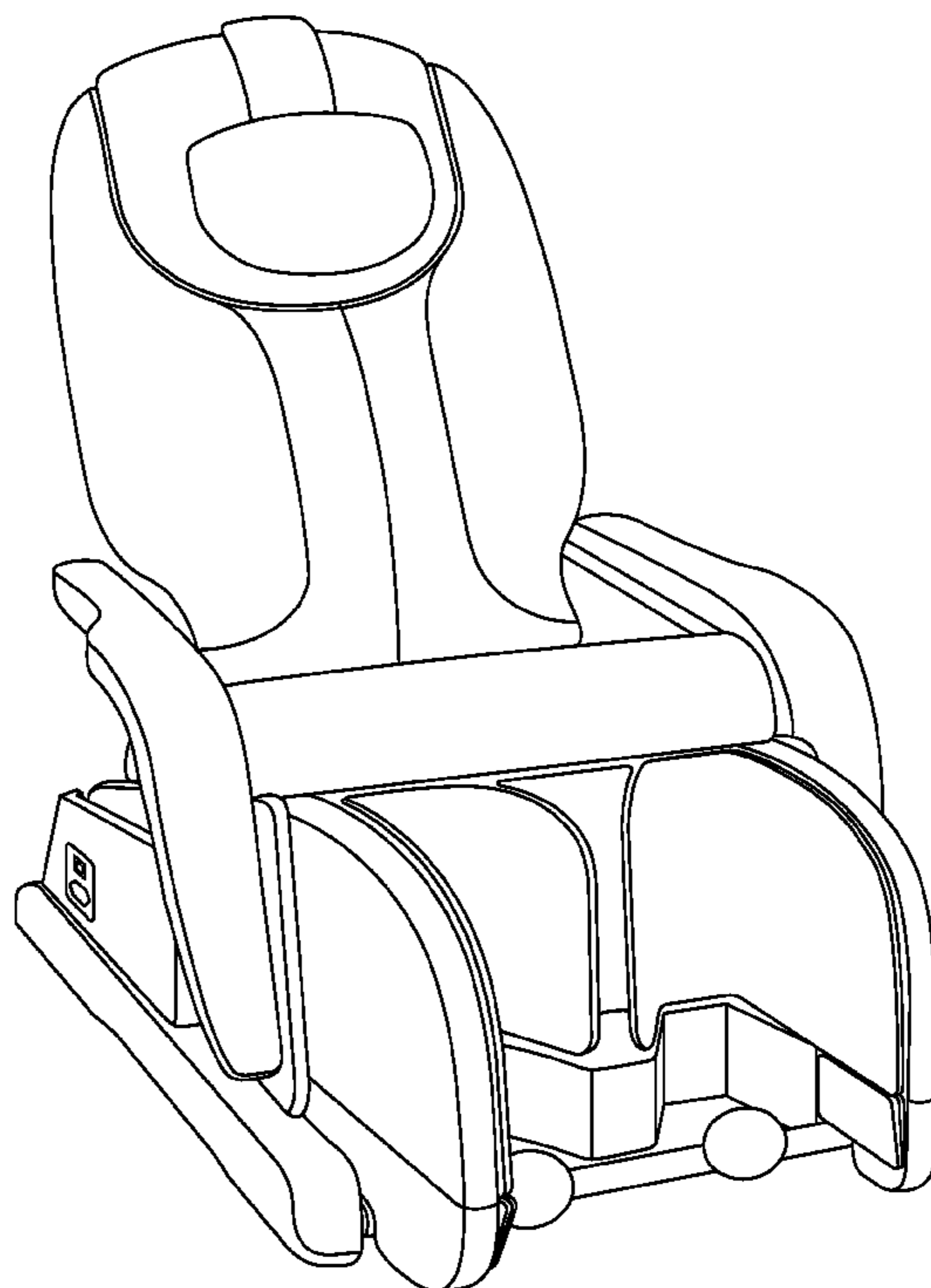
(57) **CLAIM**

The ornamental design for a reclining massage chair, as shown and described.

**DESCRIPTION**

FIG. 1 is a front upright view of the reclining massage chair;  
 FIG. 2 is a front recline view thereof;  
 FIG. 3 is a left upright view thereof;  
 FIG. 4 is a left recline view thereof;  
 FIG. 5 is a right upright view thereof;  
 FIG. 6 is a right recline view thereof;  
 FIG. 7 is a top upright view thereof;  
 FIG. 8 is a top recline view thereof;  
 FIG. 9 is a back upright view thereof;  
 FIG. 10 is a back recline view thereof;  
 FIG. 11 is a bottom upright view thereof;  
 FIG. 12 is a bottom recline view thereof;  
 FIG. 13 is a front perspective upright view thereof; and,  
 FIG. 14 is a back perspective upright view thereof.

**1 Claim, 14 Drawing Sheets**



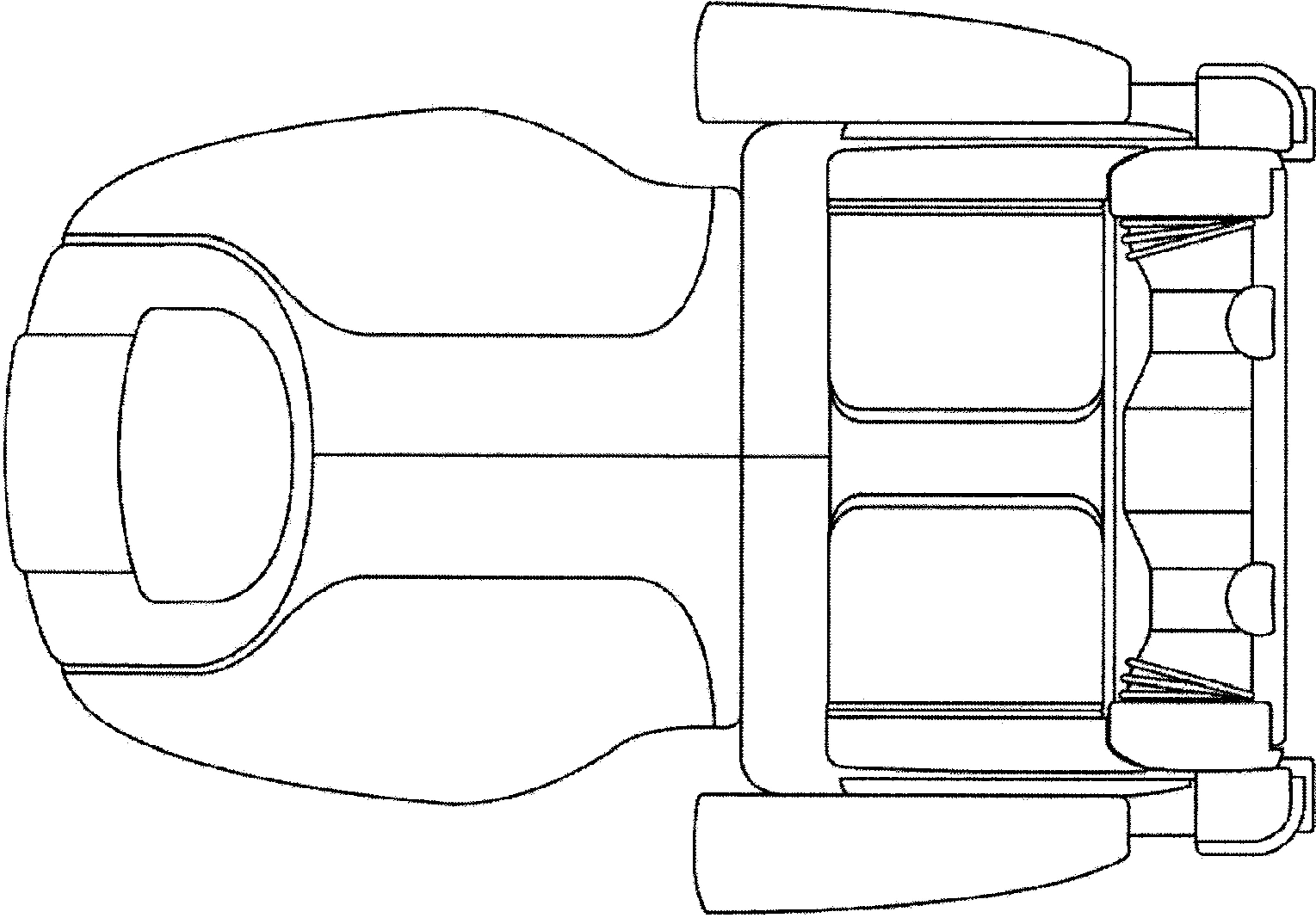


Fig. 1

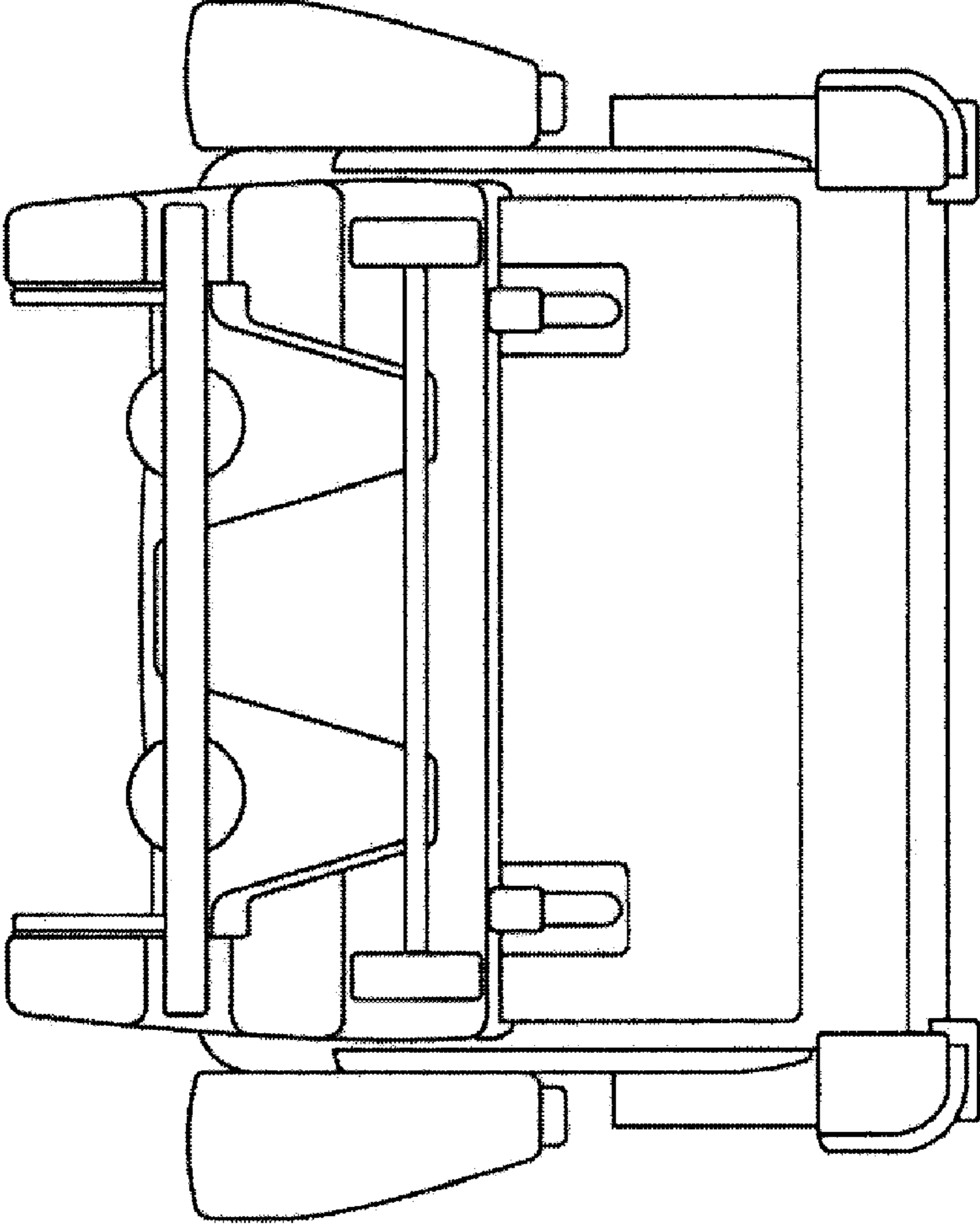


Fig. 2

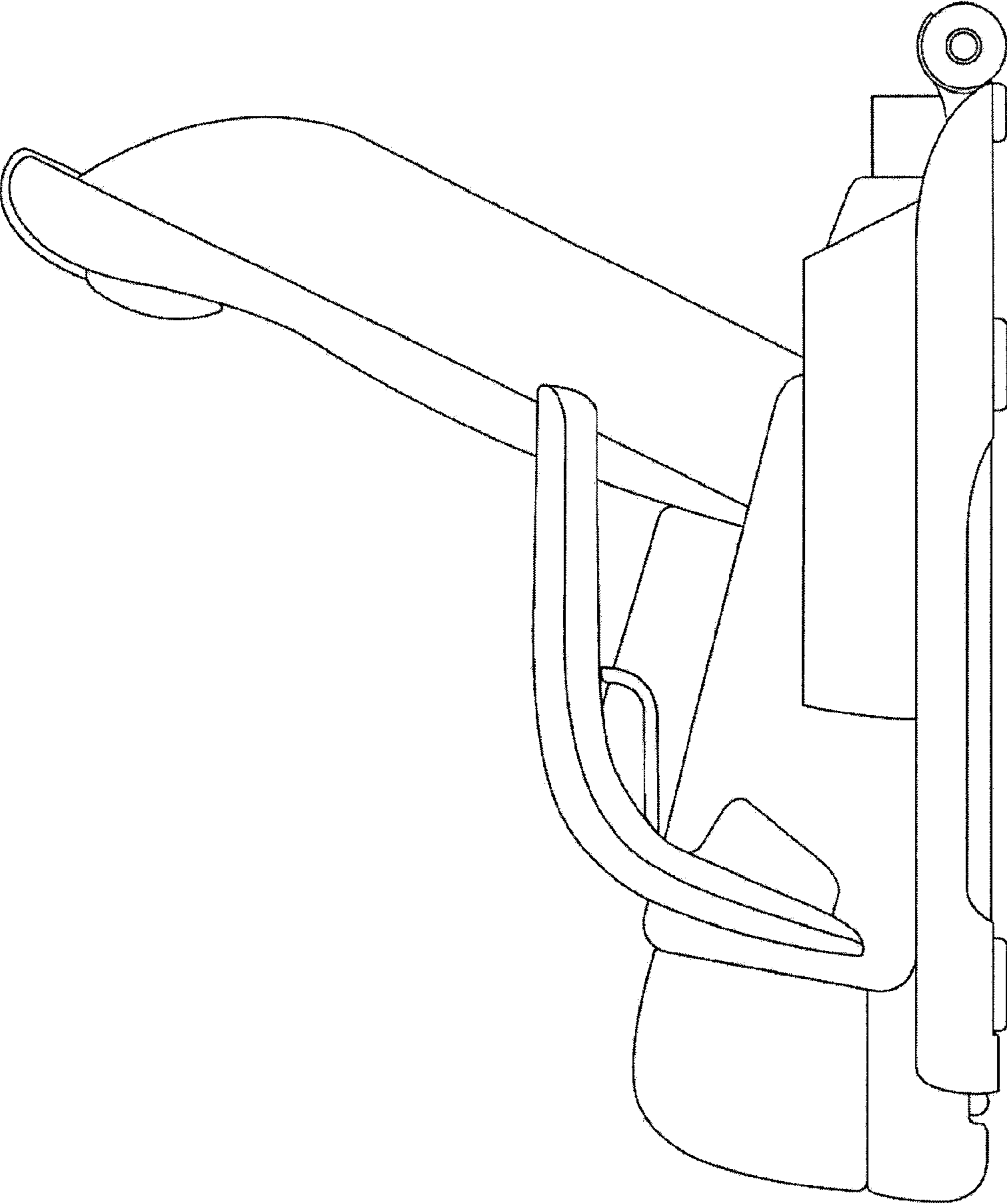


Fig. 3

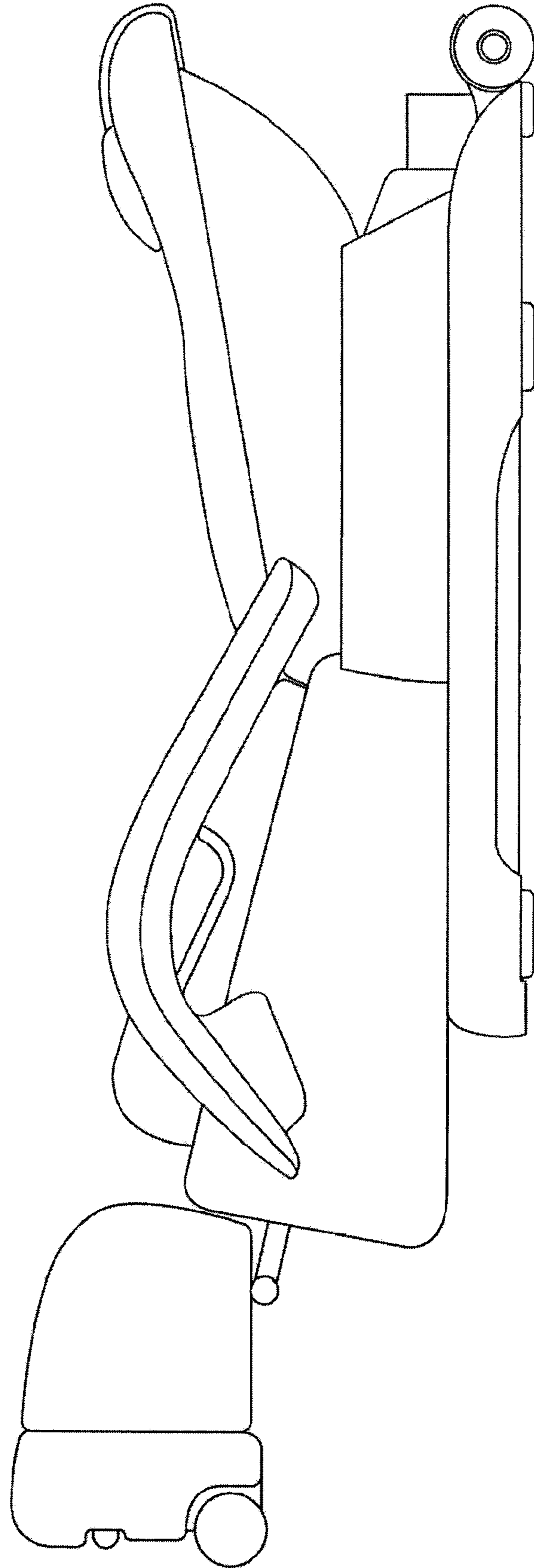


Fig. 4



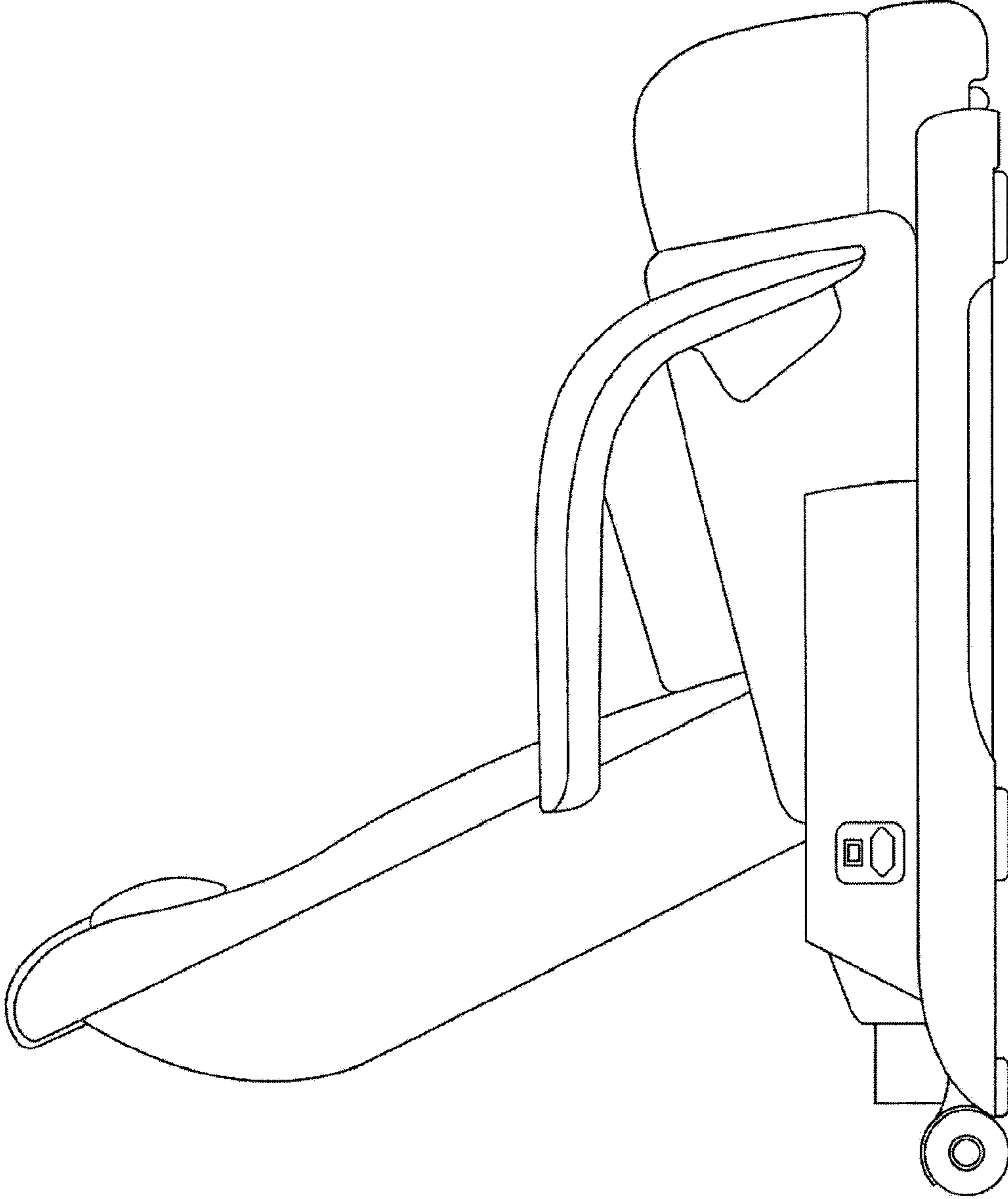


Fig. 5

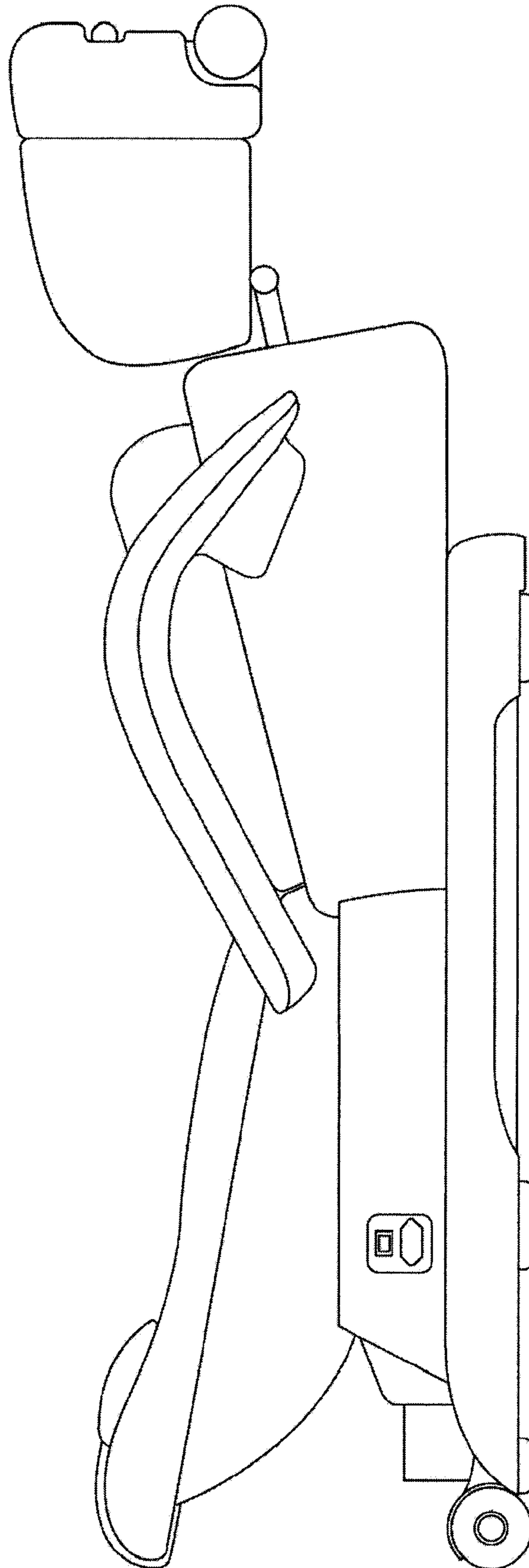


Fig. 6

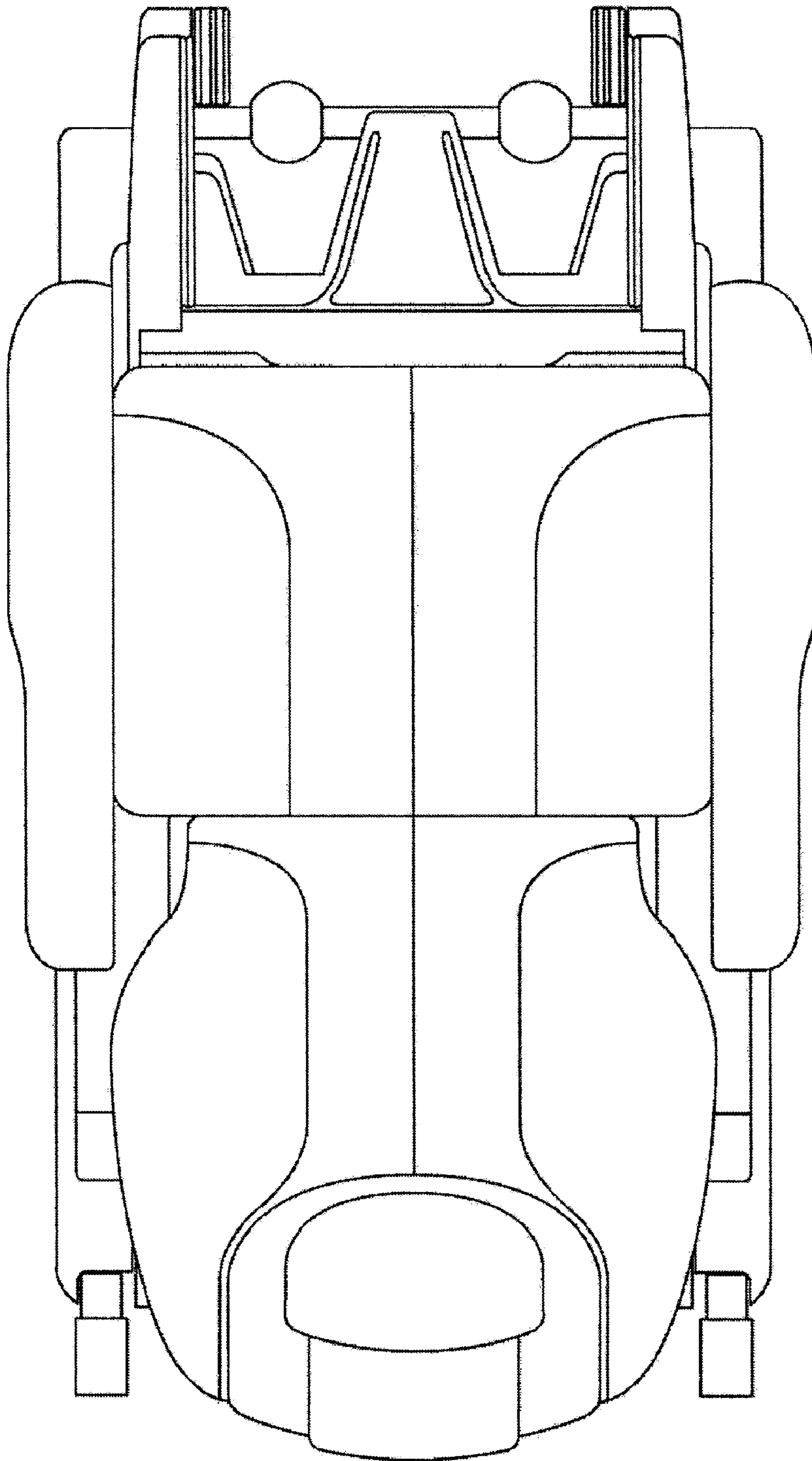


Fig. 7



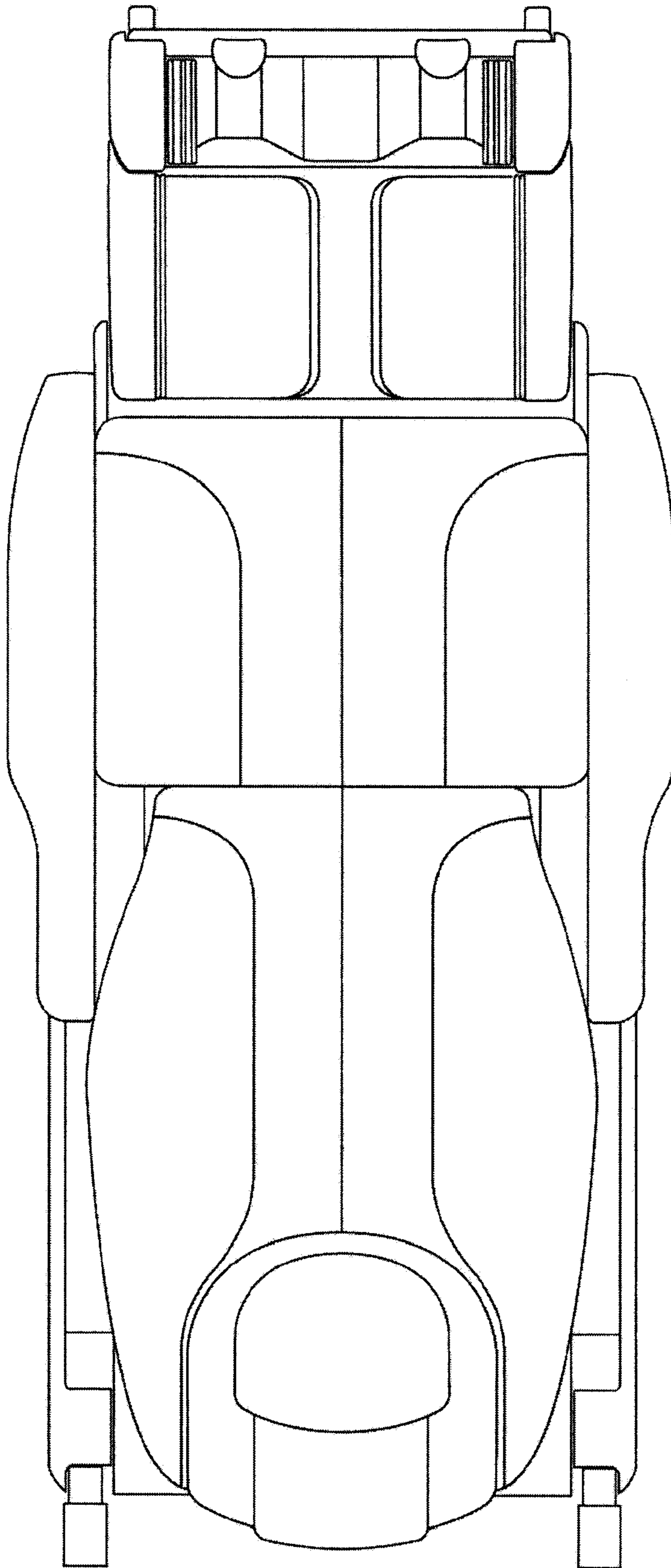


Fig. 8

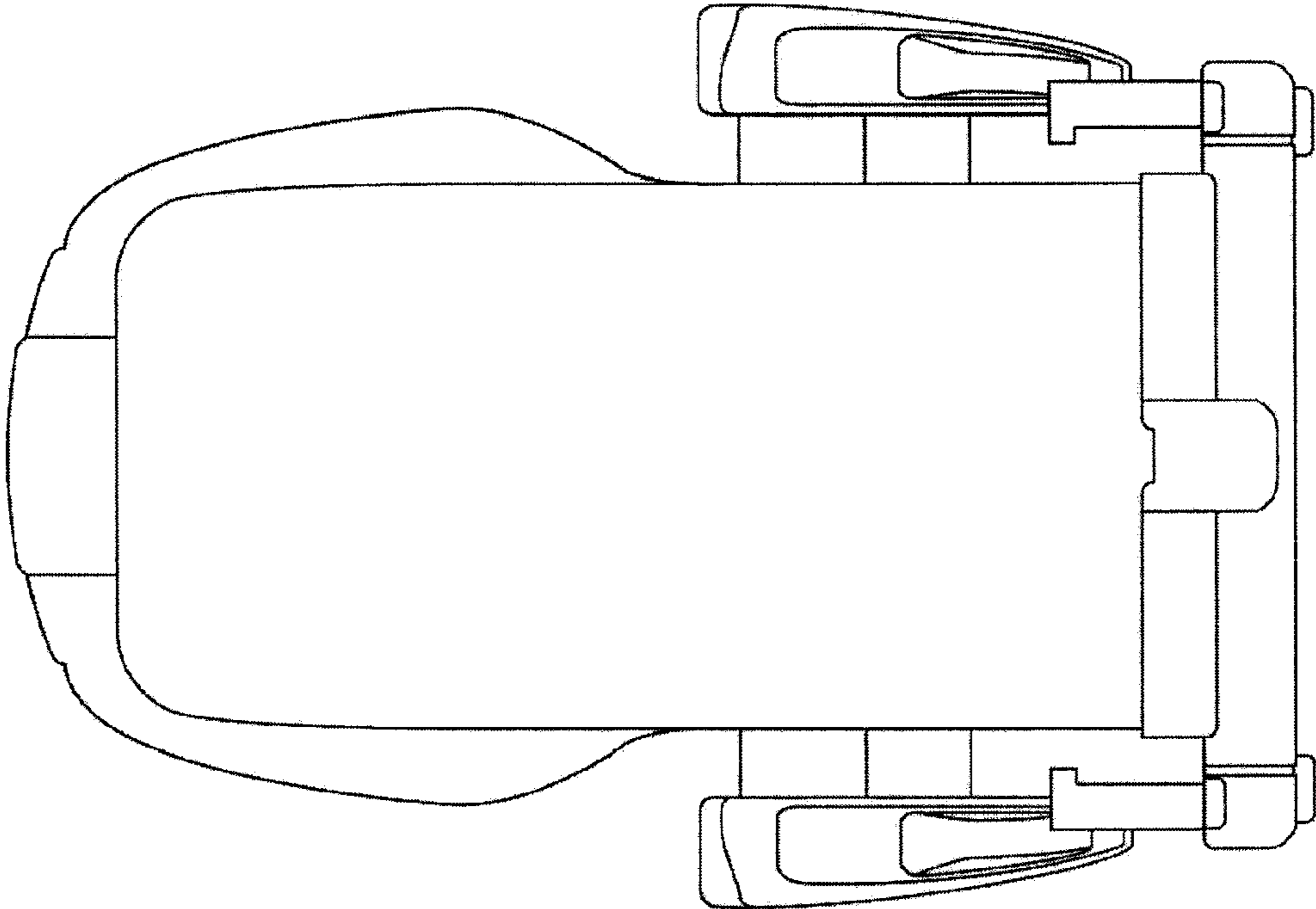


Fig. 9

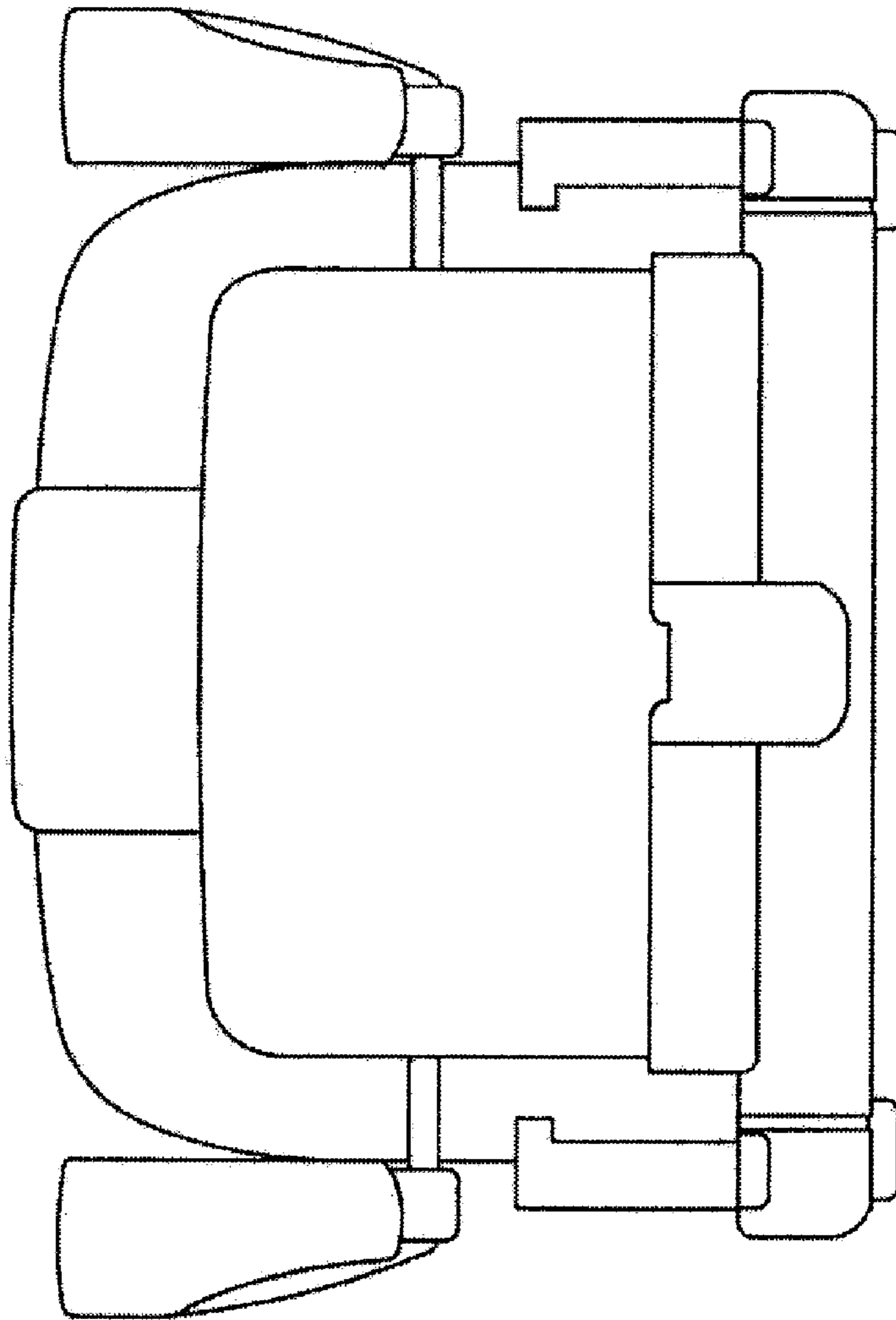


Fig. 10

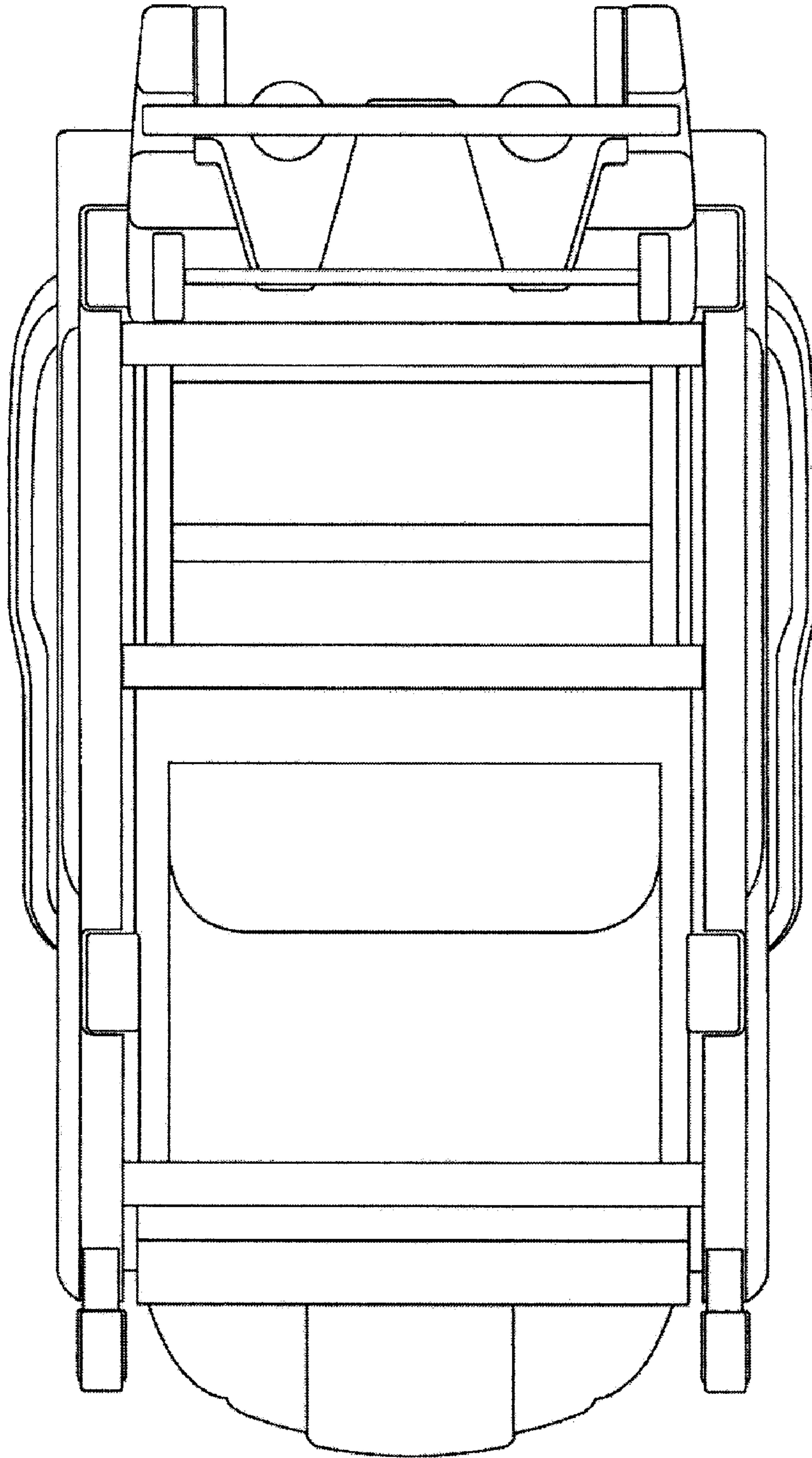


Fig. 11

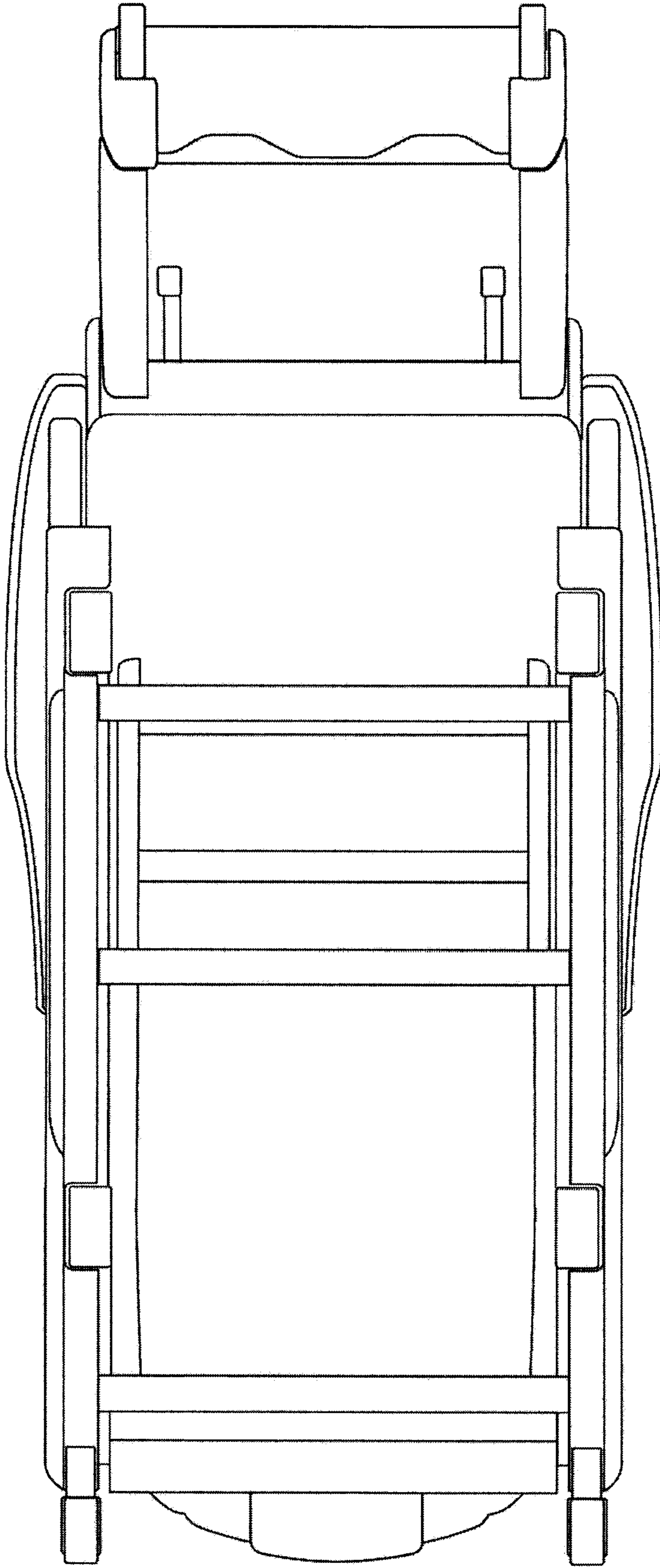


Fig. 12



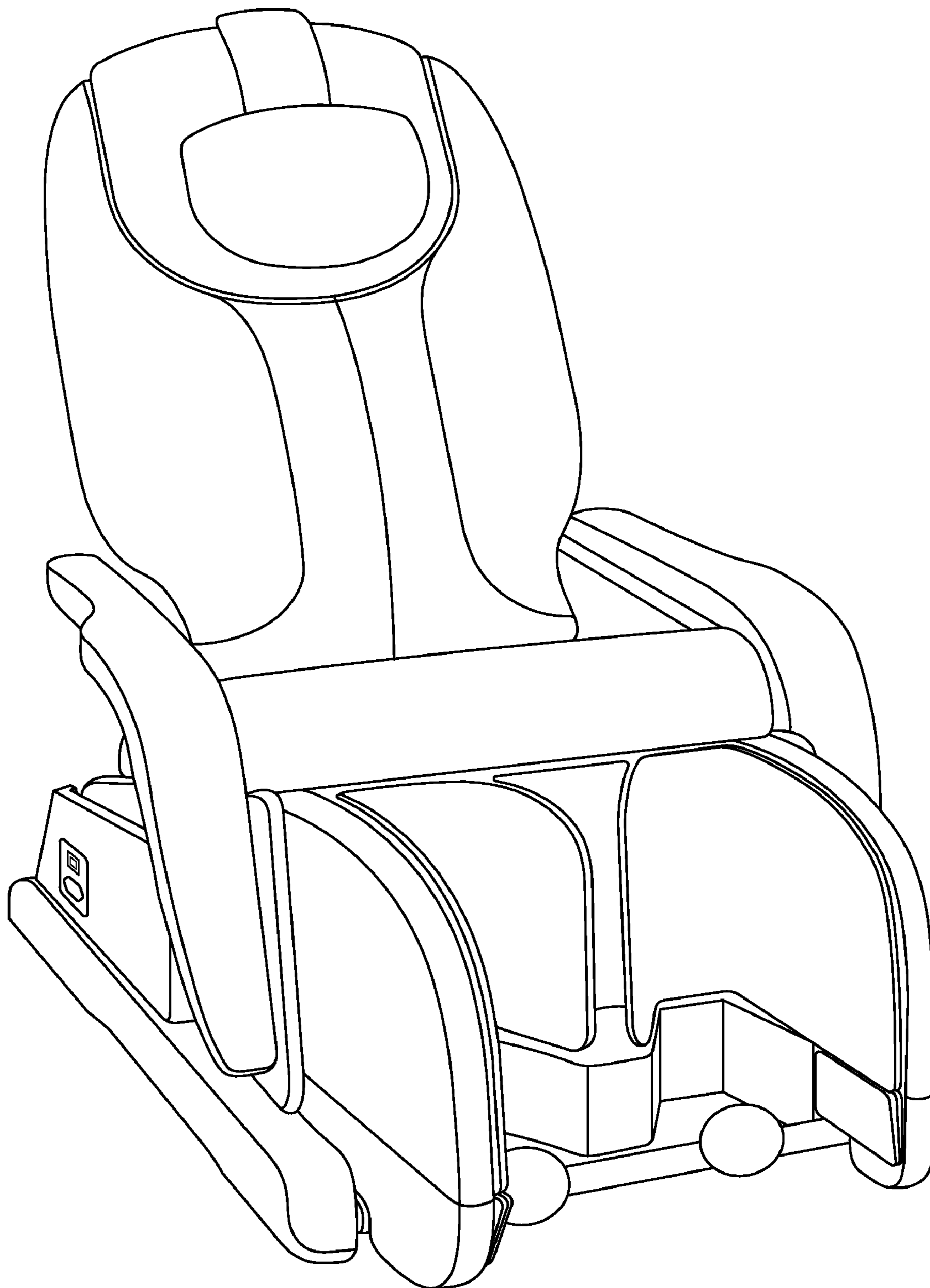


Fig. 13

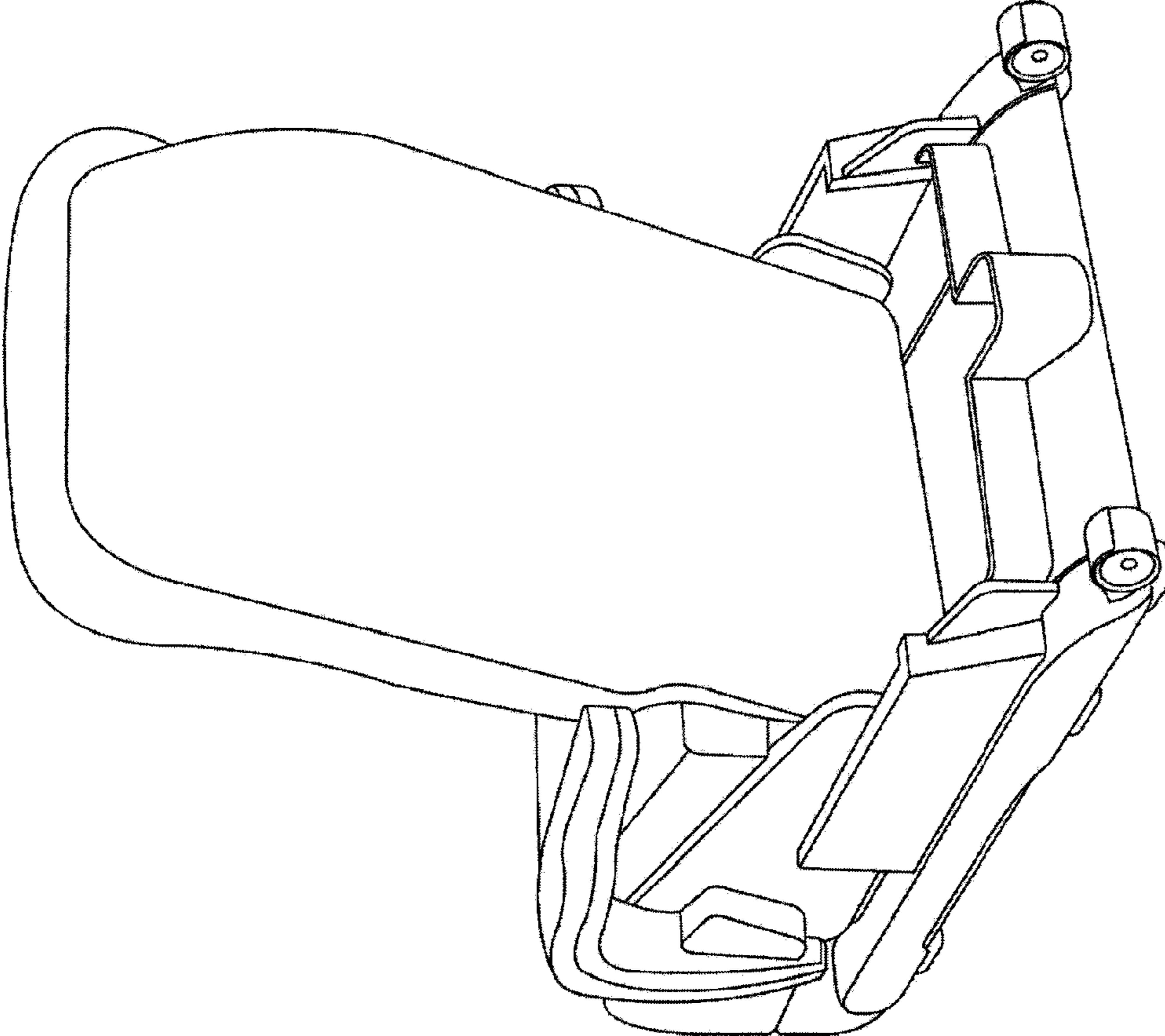


Fig. 14