



US00D548992S

(12) **United States Design Patent** (10) **Patent No.:** **US D548,992 S**  
**Koepke et al.** (45) **Date of Patent:** **\*\* Aug. 21, 2007**

(54) **CHAIR**

(75) Inventors: **Marcus C. Koepke**, Indianapolis, IN (US); **John Koch**, Muscatine, IA (US); **Jay R. Machael**, Muscatine, IA (US); **Aaron Michael Ickes**, Davenport, IA (US)

(73) Assignee: **HNI Corporation**, Muscatine, IA (US)

(\*\*) Term: **14 Years**

(21) Appl. No.: **29/256,832**

(22) Filed: **Mar. 24, 2006**

6,609,755 B2 8/2003 Koepke et al.  
D486,315 S \* 2/2004 Beaulieu et al. .... D6/366  
6,688,692 B2 2/2004 Phillips et al.  
6,722,741 B2 4/2004 Stumpf et al.  
6,729,691 B2 5/2004 Koepke et al.  
D493,626 S \* 8/2004 James ..... D6/366  
D507,422 S \* 7/2005 Seiler ..... D6/366  
6,935,689 B2 8/2005 Horiki et al.  
D509,968 S \* 9/2005 Zimmermann et al. .... D6/366  
6,959,965 B2 11/2005 Diffrient  
6,966,804 B2 11/2005 Stumpf et al.  
6,981,743 B2 1/2006 Edwards et al.  
6,991,291 B2 1/2006 Knoblock et al.  
D517,820 S \* 3/2006 Citterio ..... D6/366  
7,097,249 B2 8/2006 Igarashi et al.  
D534,364 S \* 1/2007 Loew et al. .... D6/366

(Continued)

(51) **LOC (8) Cl.** ..... **06-01**

(52) **U.S. Cl.** ..... **D6/366**

(58) **Field of Classification Search** ..... D6/334-336,  
D6/364-368, 374-376, 379-380, 498, 500,  
D6/501-502; 297/301.1, 313, 354.11, 411.25,  
297/411.27, 411.36, 411.44, 451.1, 452.35  
See application file for complete search history.

FOREIGN PATENT DOCUMENTS

JP 2004/049658 2/2004  
JP 2004/049691 2/2004

*Primary Examiner*—Caron D. Veynar  
*Assistant Examiner*—Abraham Bahta  
(74) *Attorney, Agent, or Firm*—Faegre & Benson, LLP

(56) **References Cited**

U.S. PATENT DOCUMENTS

D247,463 S \* 3/1978 Muller-Deisig ..... D6/366  
D267,989 S \* 2/1983 Buhk et al. .... D6/366  
D274,869 S 7/1984 Aronowitz et al.  
D279,153 S 6/1985 Aronowitz et al.  
D320,507 S 10/1991 Shields  
D348,570 S 7/1994 Scheper et al.  
D354,631 S 1/1995 Orlandini et al.  
5,755,488 A 5/1998 Beda et al.  
5,772,282 A 6/1998 Stumpf et al.  
D402,481 S 12/1998 Neil  
D403,618 S 1/1999 Wilson  
6,035,901 A 3/2000 Stumpf et al.  
D462,549 S 9/2002 Chu  
6,523,898 B1 2/2003 Ball et al.  
D472,722 S \* 4/2003 Moll ..... D6/366  
6,572,190 B2 6/2003 Koepke et al.  
6,588,842 B2 7/2003 Stumpf et al.

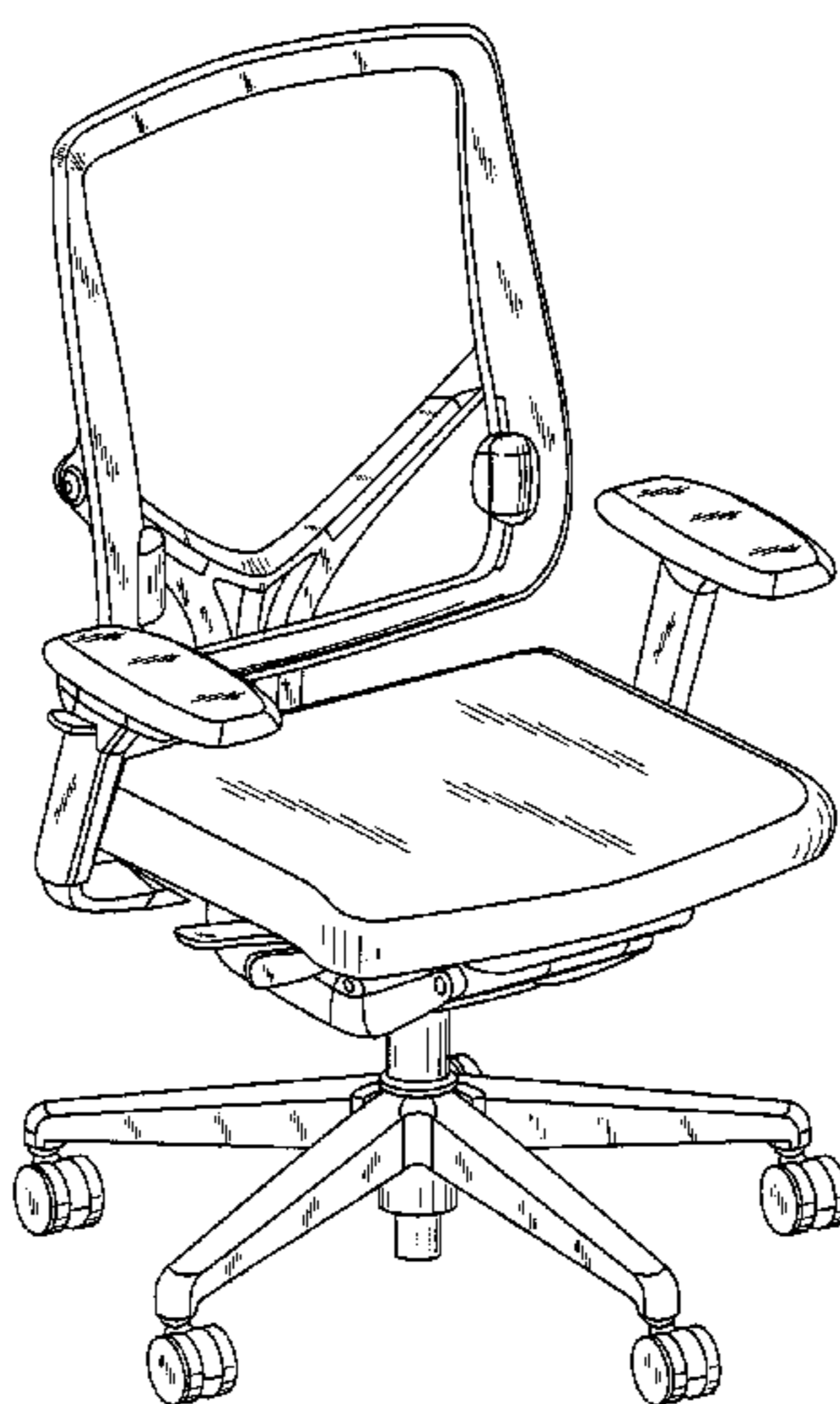
(57) **CLAIM**

The ornamental design for a chair, as shown and described.

**DESCRIPTION**

FIG. 1 is a perspective view of a chair embodying our design;  
FIG. 2 is a front view of a chair embodying our design;  
FIG. 3 is a left side view of a chair embodying our design;  
FIG. 4 is a rear view of a chair embodying our design;  
FIG. 5 is a right side view of a chair embodying our design;  
FIG. 6 is a top view of a chair embodying our design; and,  
FIG. 7 is a bottom view of a chair embodying our design.

**1 Claim, 7 Drawing Sheets**



# US D548,992 S

Page 2

---

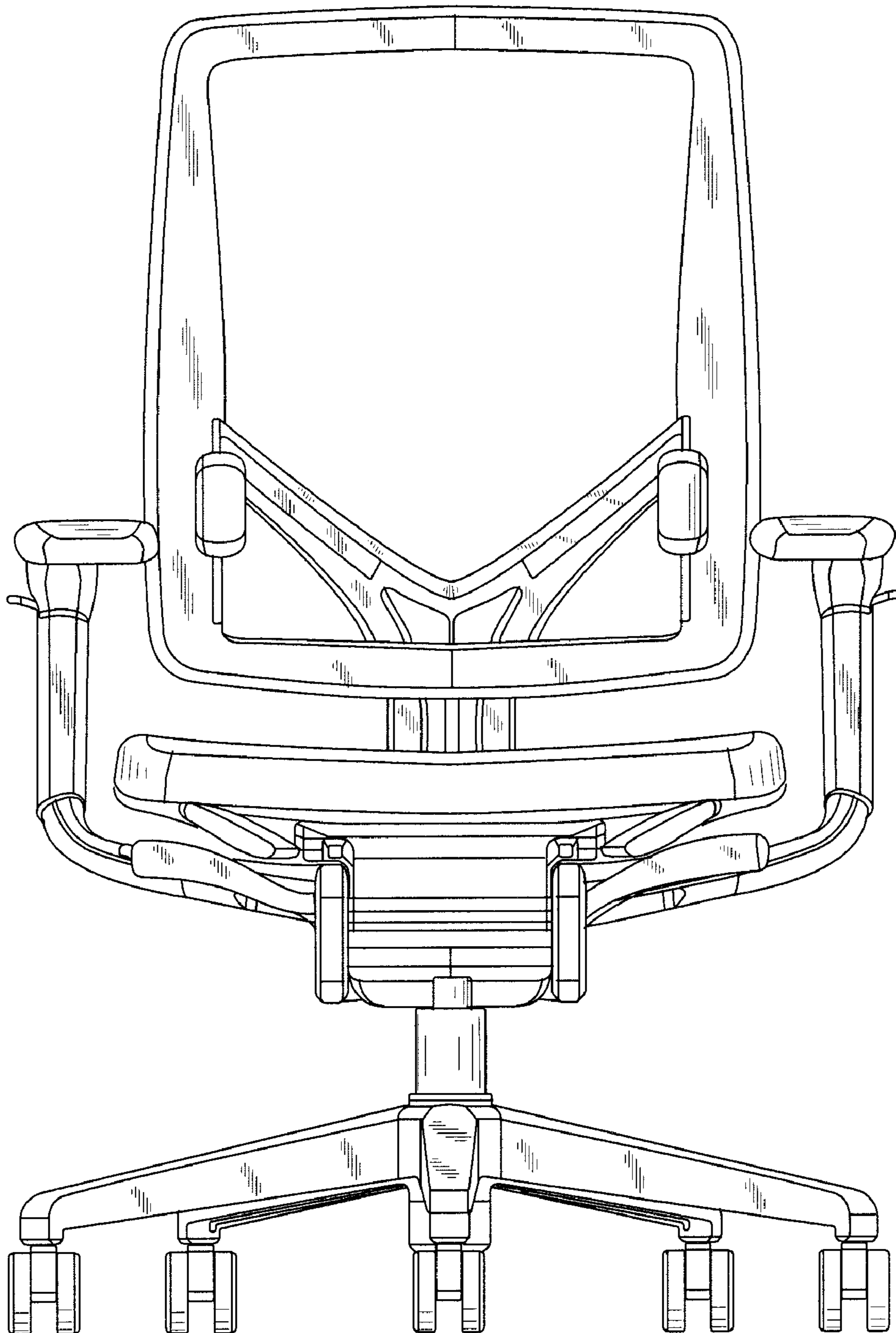
## U.S. PATENT DOCUMENTS

D534,365 S *	1/2007	Breen .....	D6/366	D535,830 S *	1/2007	Bernett et al. ....	D6/366
D535,112 S *	1/2007	Bernett et al. ....	D6/366	2004/0017102 A1	1/2004	Igarashi et al.	
D535,131 S *	1/2007	Loew et al. ....	D6/501	2006/0238009 A1	10/2006	Igarashi et al.	

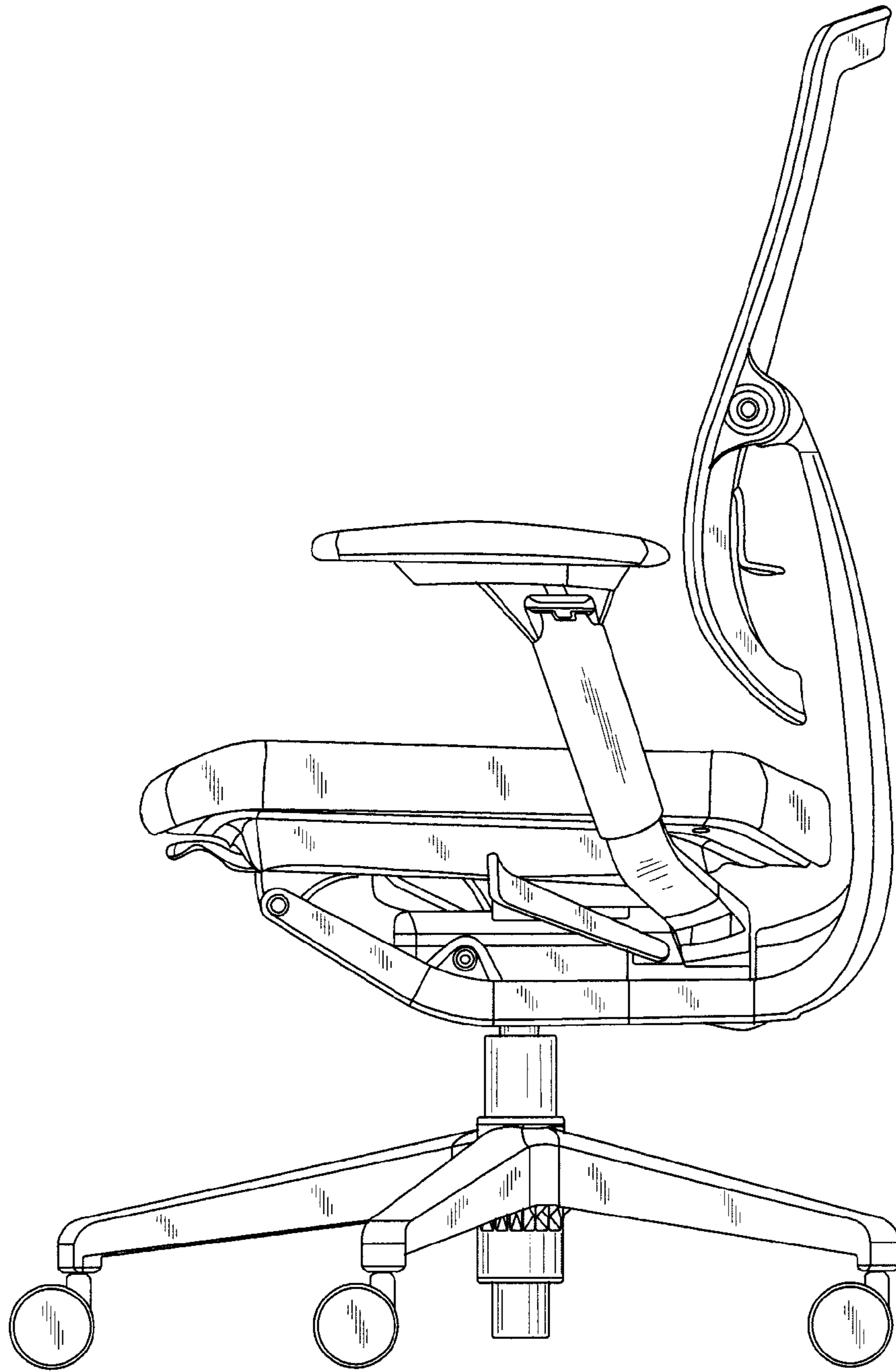
\* cited by examiner



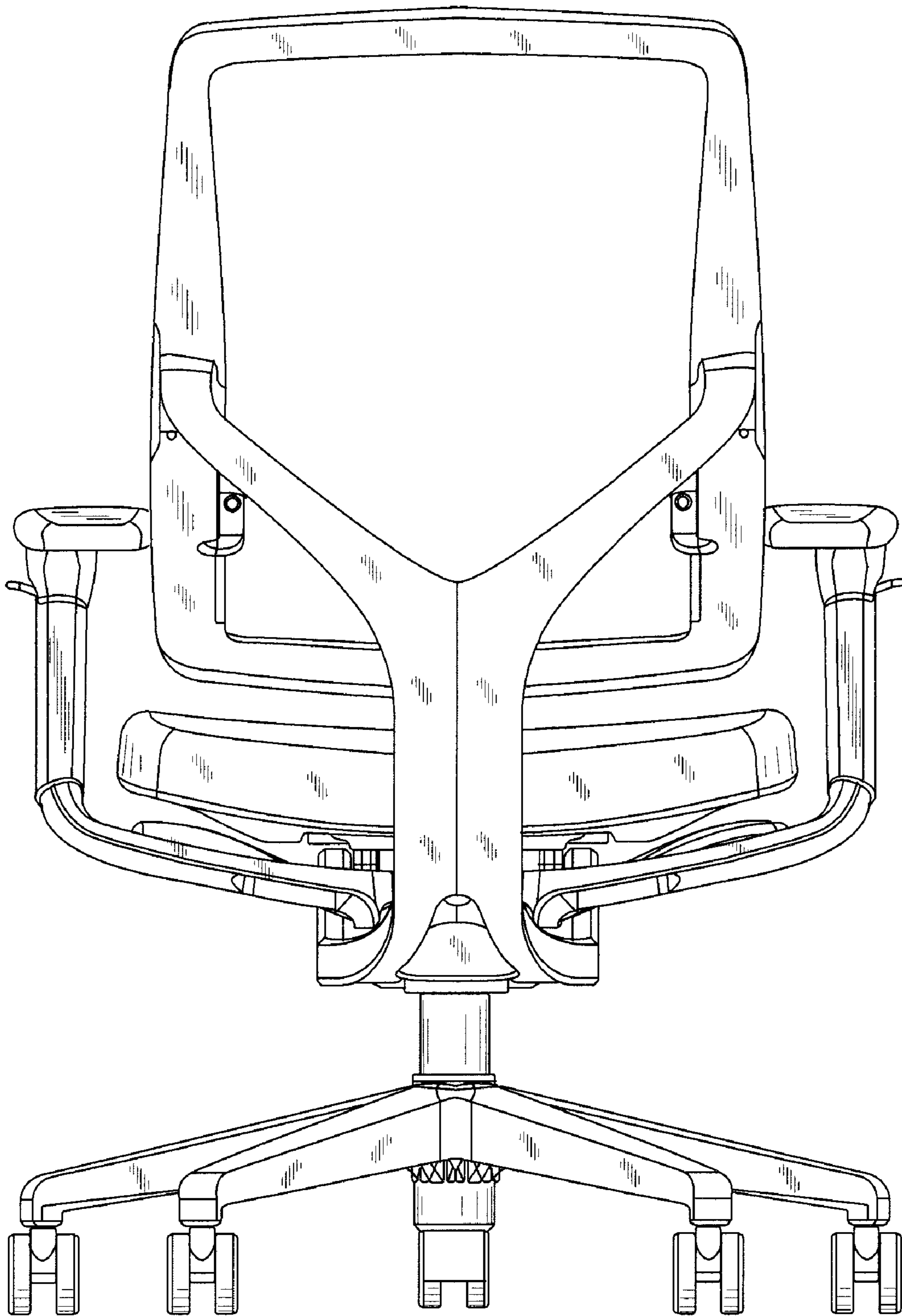
**FIG. 1**



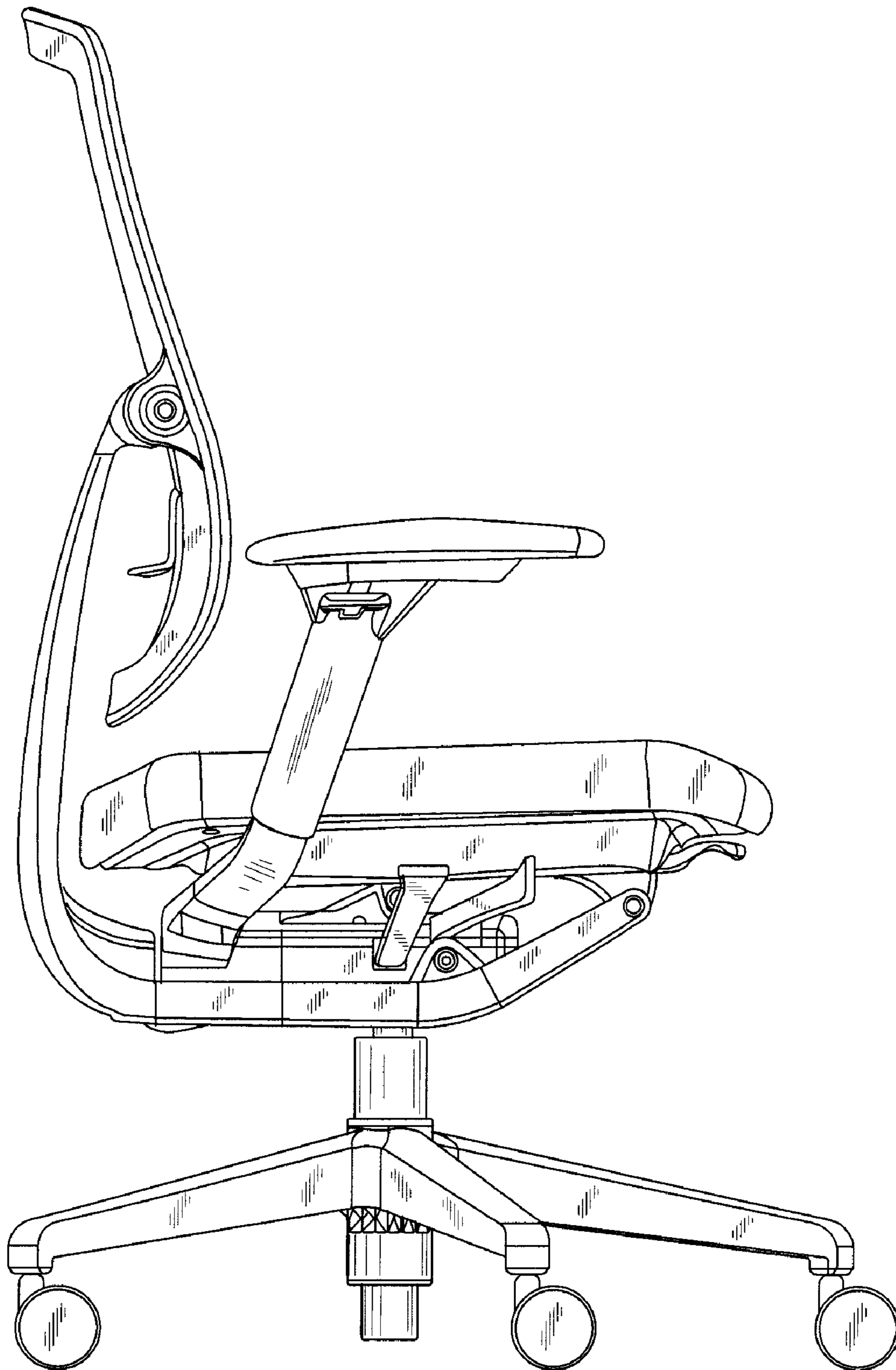
*FIG. 2*



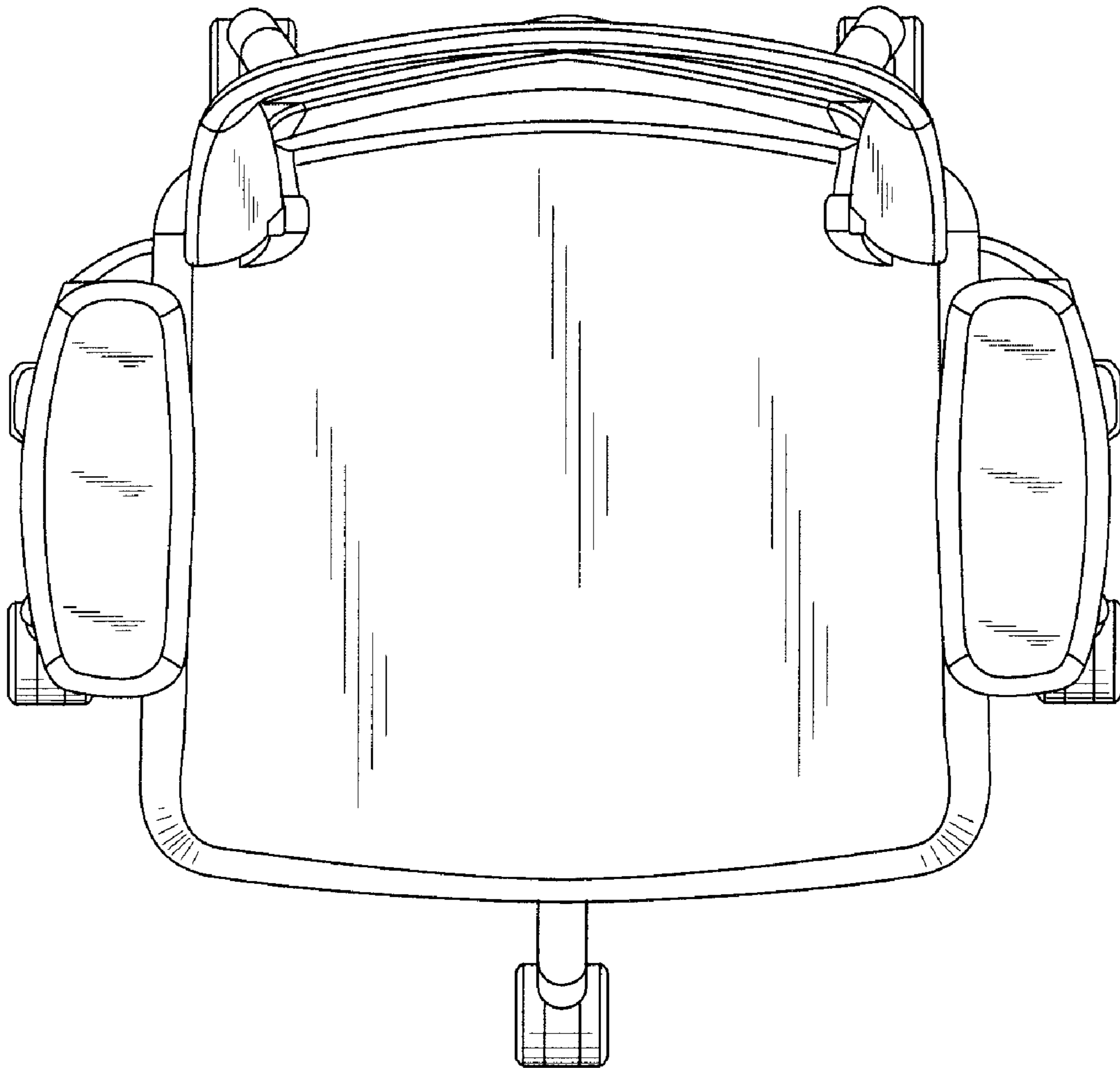
*FIG. 3*



*FIG. 4*

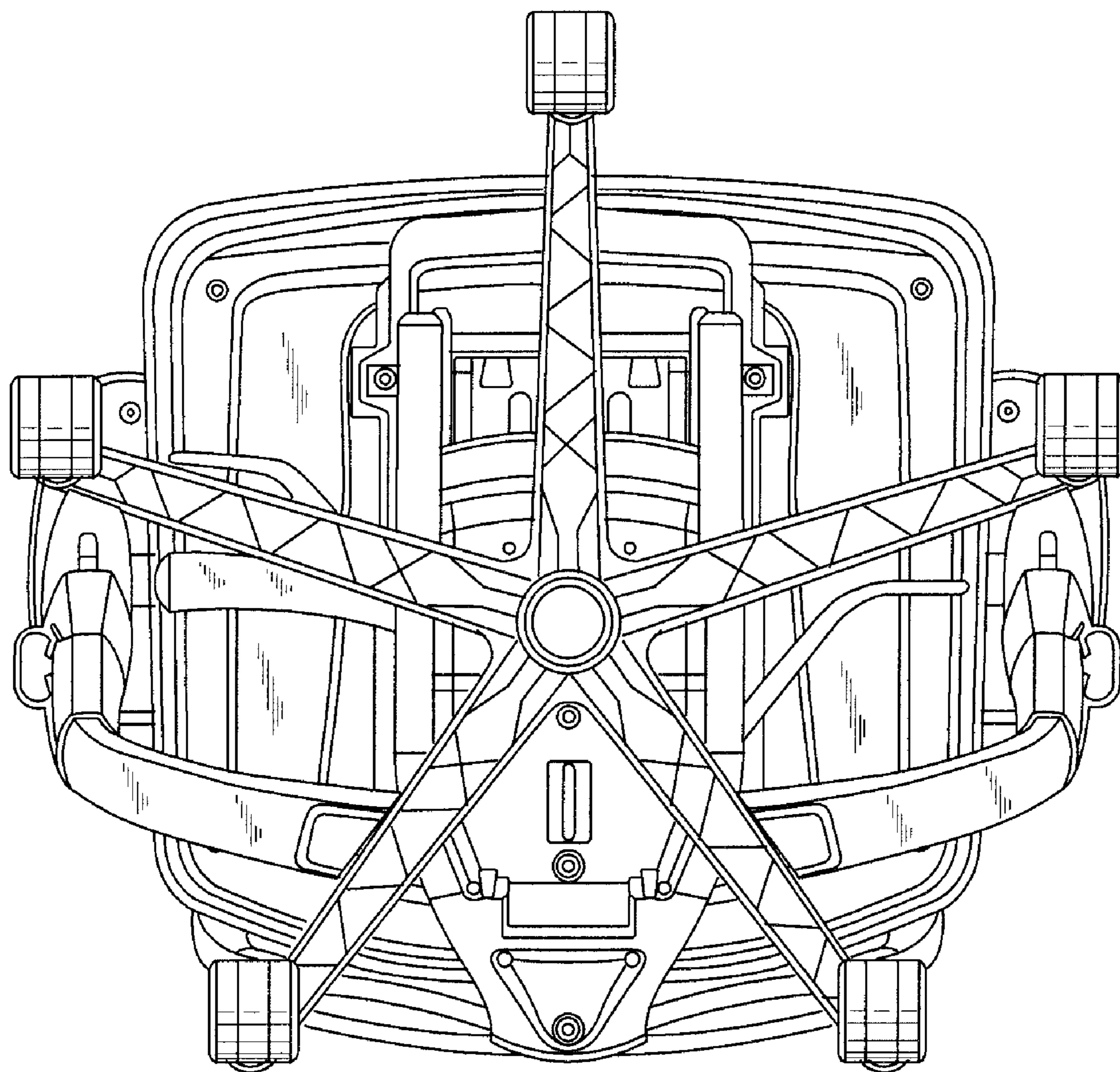


**FIG. 5**



*FIG. 6*





*FIG. 7*