



US00D548991S

(12) **United States Design Patent**
Hanson, Jr. et al.

(10) **Patent No.:** **US D548,991 S**

(45) **Date of Patent:** **** Aug. 21, 2007**

(54) **GOLF CAR SEAT**

(75) Inventors: **Donald S. Hanson, Jr.**, Augusta, GA
(US); **Richard Krall**, Augusta, GA
(US); **Bradley J. Hanson**, North
Augusta, SC (US)

(73) Assignee: **Textron Inc.**, Providence, RI (US)

(**) Term: **14 Years**

(21) Appl. No.: **29/247,156**

(22) Filed: **Jun. 2, 2006**

(51) **LOC (8) Cl.** **06-01**

(52) **U.S. Cl.** **D6/356**

(58) **Field of Classification Search** D6/356,
D6/381, 367, 374, 375, 379, 334-336, 500-502;
297/232, 391, 452.14, 452.21, 452.35, 452.24,
297/452.29, 452.26, 183.1, 183.7, 464; D12/16,
D12/1, 14; 280/DIG. 5; 180/233, 908
See application file for complete search history.

(56) **References Cited**

U.S. PATENT DOCUMENTS

D99,866 S * 6/1936 Hoffmann D6/372
D271,008 S * 10/1983 Saporito D12/16
D320,580 S * 10/1991 Kim D12/16
D326,831 S * 6/1992 Lanius et al. D12/16
D369,762 S * 5/1996 Molzon et al. D12/16
D373,099 S * 8/1996 Molzon et al. D12/16

D433,651 S * 11/2000 Matsumura et al. D12/1
D498,704 S 11/2004 Bonner et al.
D513,132 S * 12/2005 Yamazaki et al. D6/356

FOREIGN PATENT DOCUMENTS

WO 2004/067360 8/2004

* cited by examiner

Primary Examiner—Caron D. Veynar

Assistant Examiner—Abraham Bahta

(74) *Attorney, Agent, or Firm*—Harness, Dickey & Pierce
P.L.C.

(57) **CLAIM**

The ornamental design for a golf car seat, as shown and described.

DESCRIPTION

FIG. 1 is a front perspective view of a golf car seat showing our new design;

FIG. 2 is a front plan view thereof;

FIG. 3 is a rear view thereof;

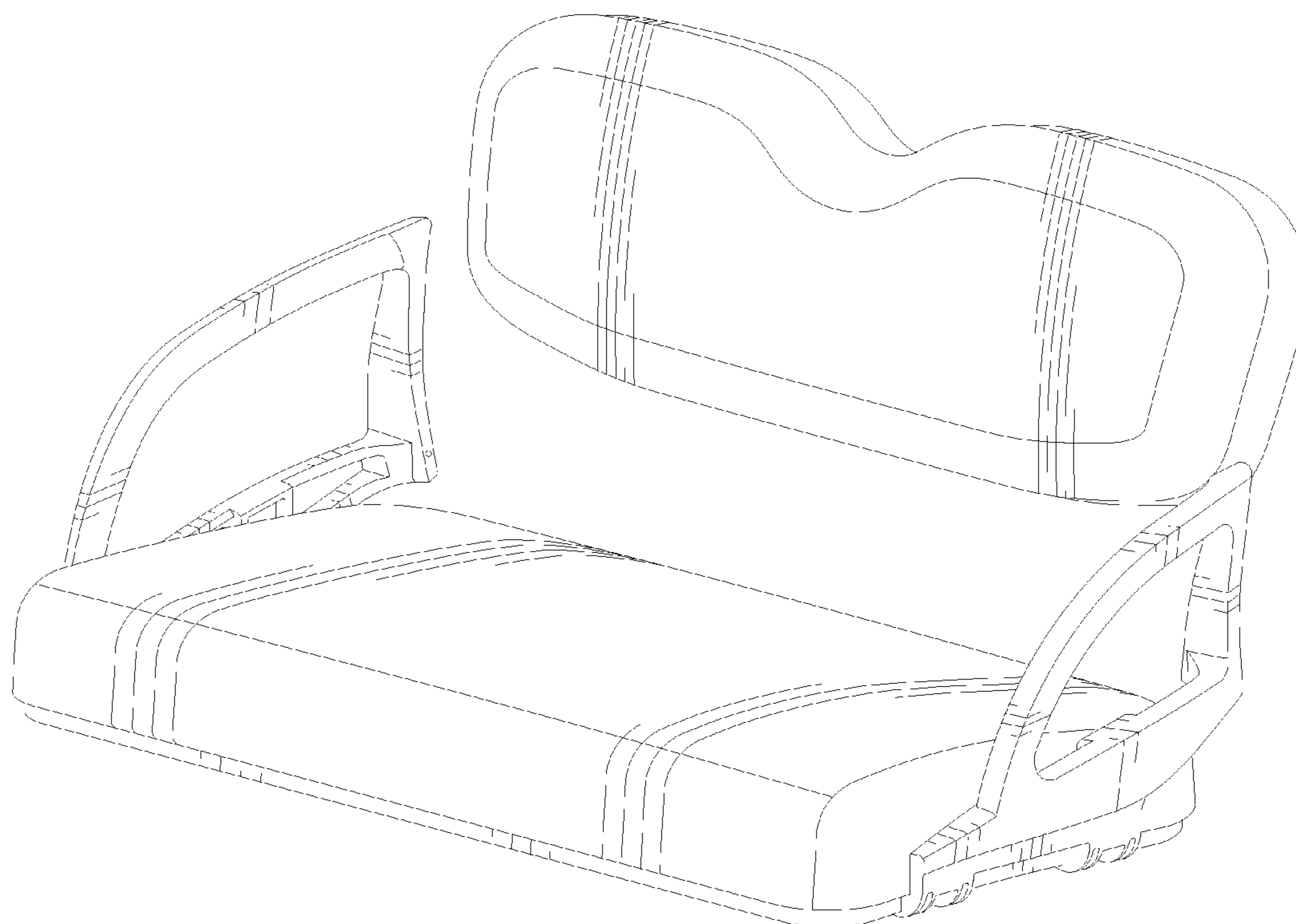
FIG. 4 is a right side view thereof;

FIG. 5 is a left side view thereof; and,

FIG. 6 is a top view thereof.

The lines shown in phantom are for illustrative purposes only and do not form part of the invention.

1 Claim, 3 Drawing Sheets



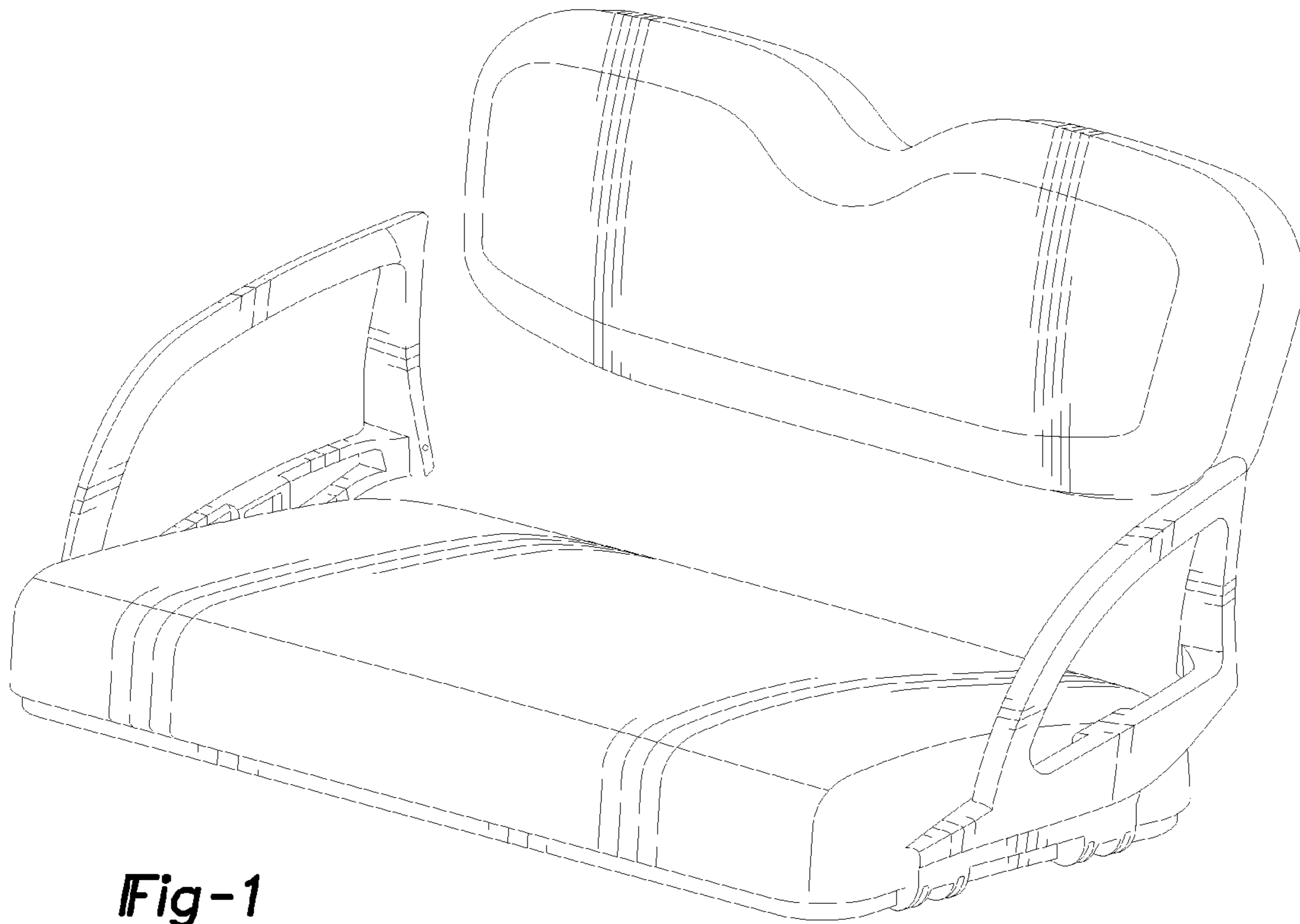


Fig-1

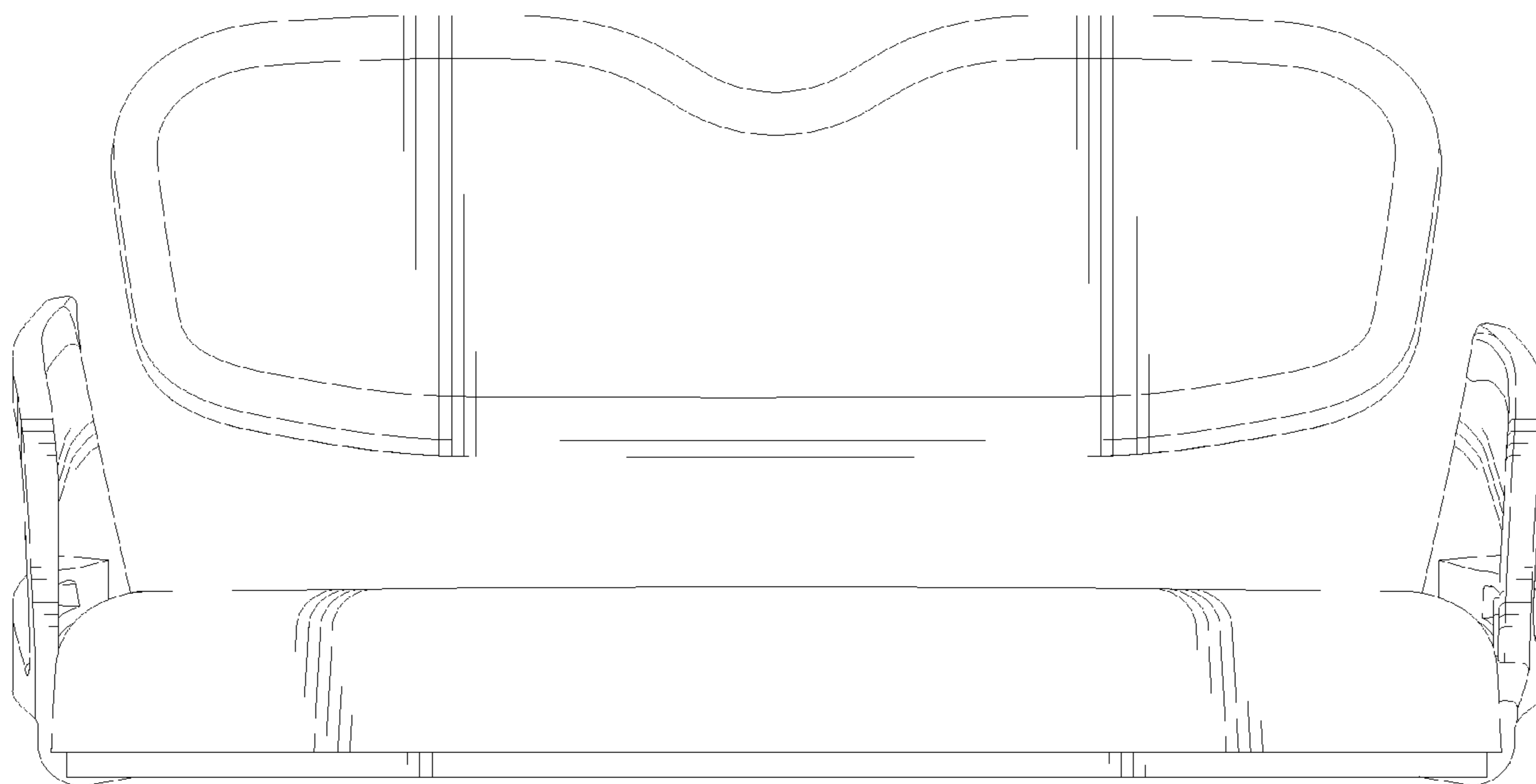


Fig-2

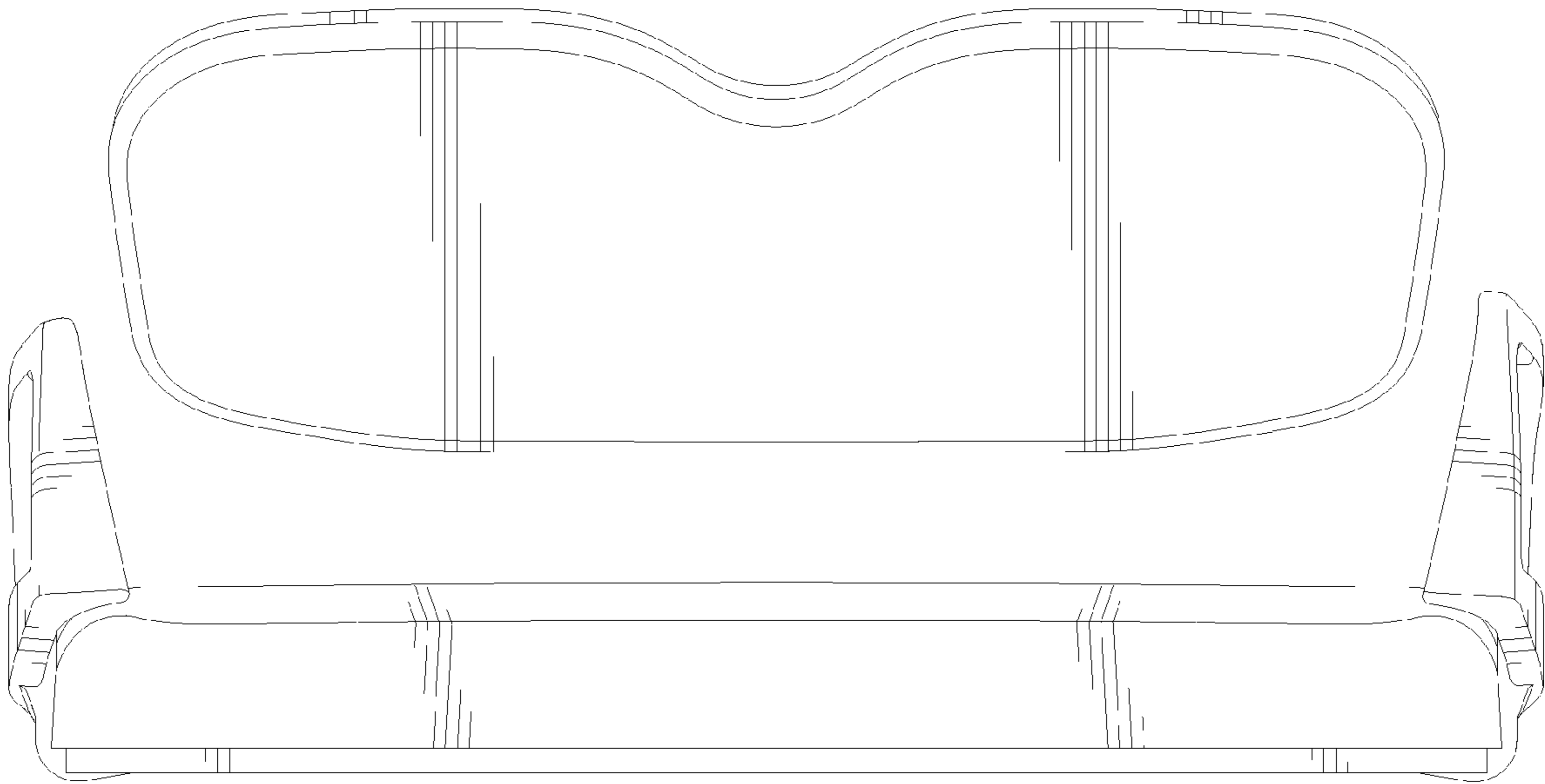


Fig-3

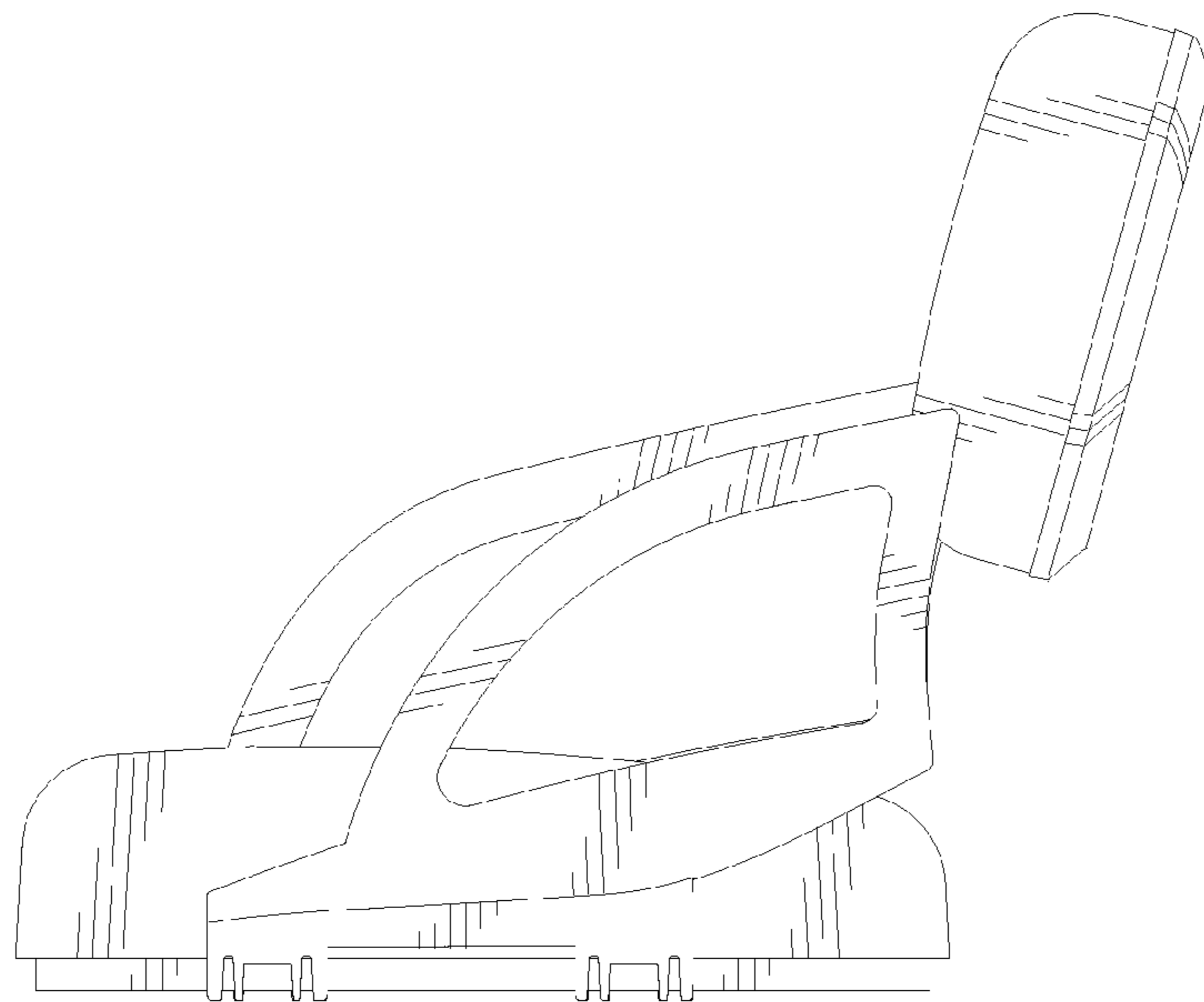


Fig-4

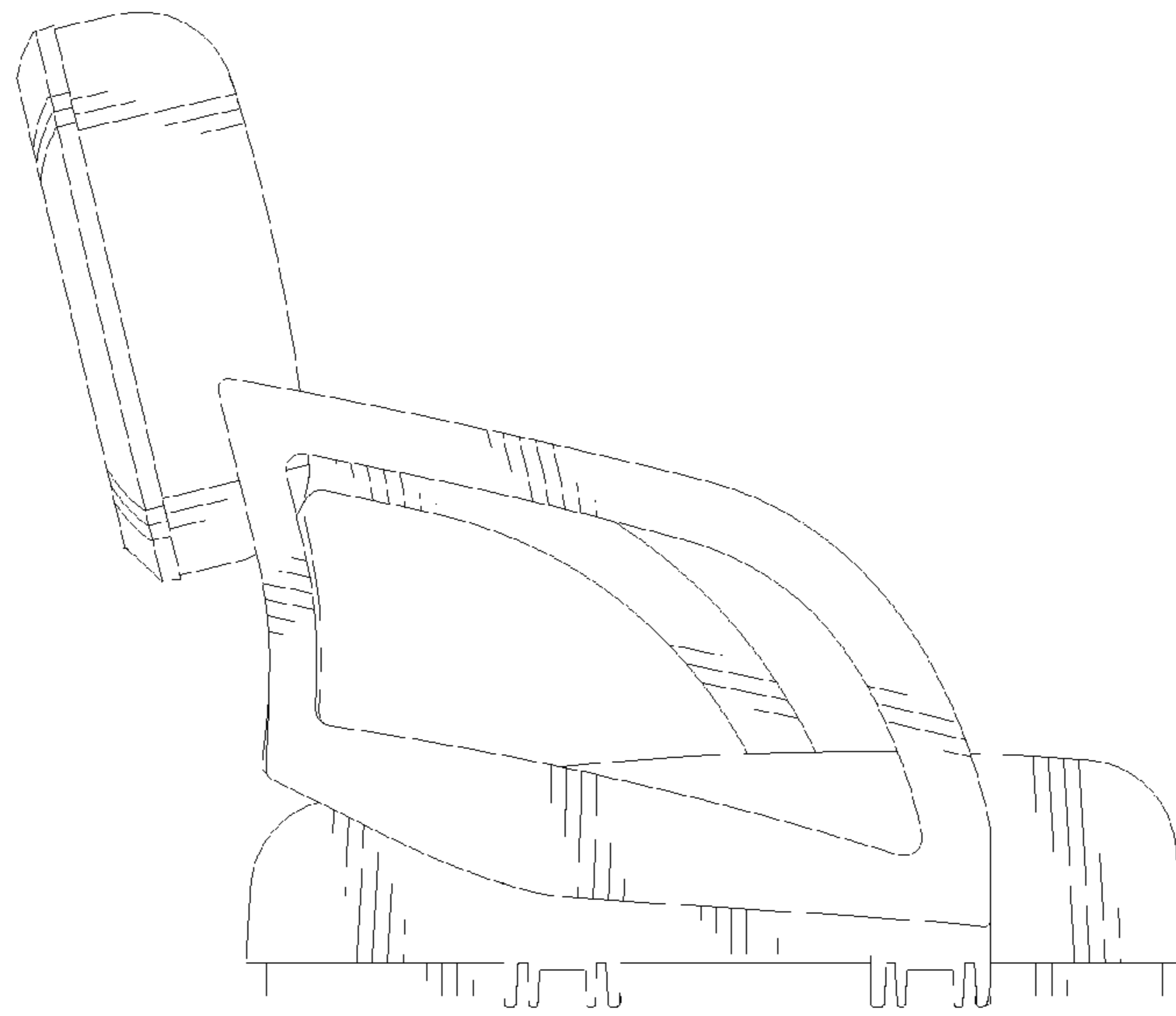


Fig-5

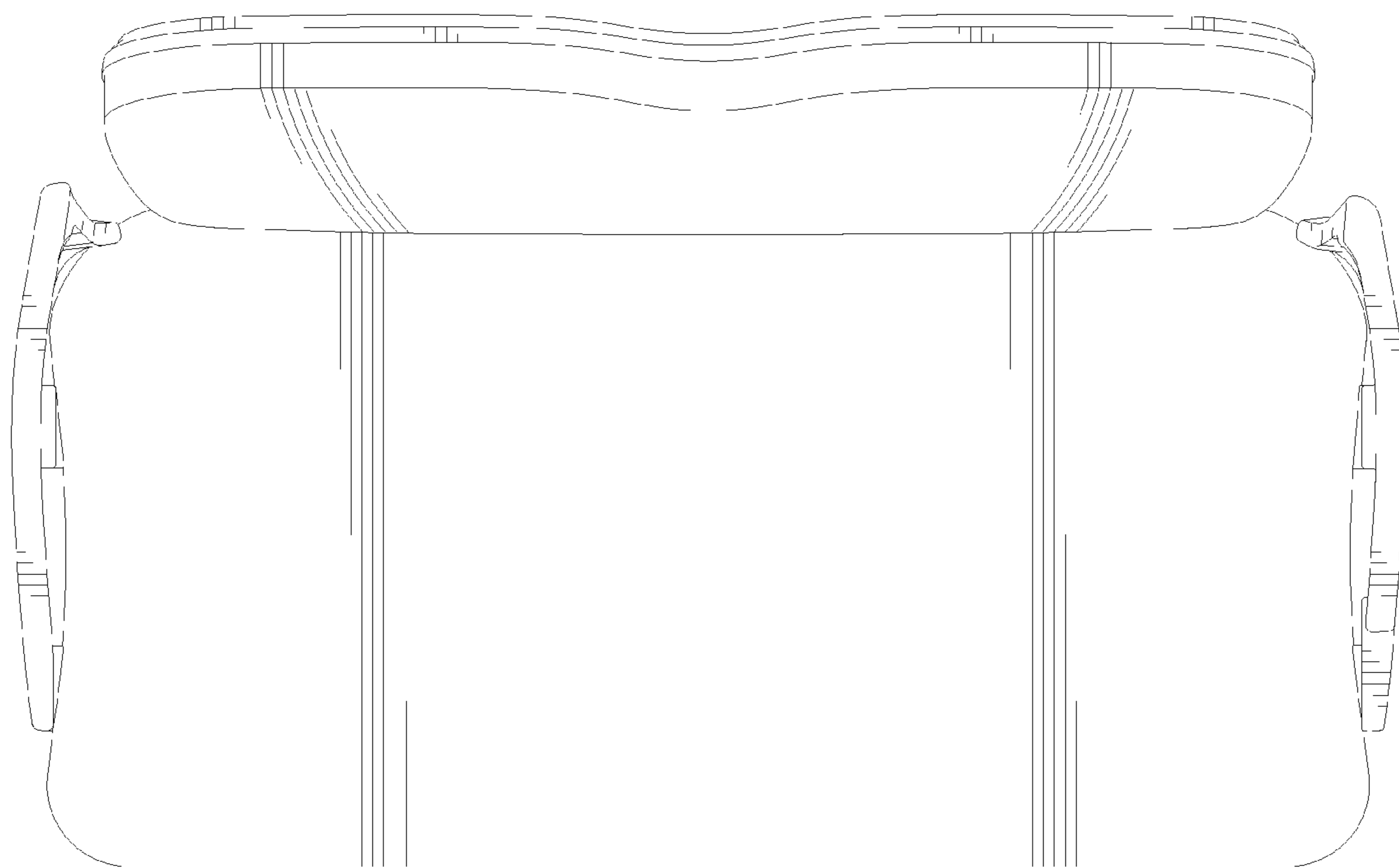


Fig-6