



US00D548990S

(12) **United States Design Patent**  
**Lindaman**

(10) **Patent No.:** **US D548,990 S**

(45) **Date of Patent:** **\*\* Aug. 21, 2007**

(54) **FOLDING UNEVEN STOOL WITH FULL WIDTH WEBS**

(75) Inventor: **Glenn Lindaman**, Whitehall, PA (US)

(73) Assignee: **Buckwing Products, Inc.**, Whitehall, PA (US)

(\*\*) Term: **14 Years**

(21) Appl. No.: **29/250,641**

(22) Filed: **Nov. 27, 2006**

(51) **LOC (8) Cl.** ..... **06-01**

(52) **U.S. Cl.** ..... **D6/353**

(58) **Field of Classification Search** ..... D6/349-355,  
D6/363-364, 484, 495, 500-502; 297/195.1,  
297/195.11, 16.1, 118, 16.2, 175, 187, 462,  
297/215.16, 219.11, 423.1, 423.39, 423.41,  
297/423.43, 461; 108/53.3, 115, 150  
See application file for complete search history.

(56) **References Cited**

U.S. PATENT DOCUMENTS

219,080	A *	9/1879	Edwards	.....	294/152
1,820,284	A *	8/1931	Mills	.....	119/28.5
2,619,154	A *	11/1952	Erickson	.....	108/130
2,646,577	A *	7/1953	Thayer	.....	5/114
2,871,489	A *	2/1959	Emmert	.....	5/114
4,043,277	A *	8/1977	Wallace	.....	108/35
D265,026	S *	6/1982	Macho et al.	.....	D6/353
4,383,488	A *	5/1983	Macho et al.	.....	108/129
4,688,281	A *	8/1987	Lantz	.....	5/111
D317,532	S *	6/1991	Meadows	.....	D6/355
D339,179	S *	9/1993	Wilkinson	.....	D21/671
D379,682	S *	6/1997	Rafaat	.....	D30/118
D454,437	S *	3/2002	Minneman et al.	.....	D6/349

D465,620	S *	11/2002	Stepp	.....	D30/118
D467,440	S *	12/2002	Lindaman et al.	.....	D6/349
D477,922	S *	8/2003	Lindaman	.....	D6/353
D477,923	S *	8/2003	Lindaman	.....	D6/353
D496,801	S *	10/2004	Vanderminde, Sr.	.....	D6/349

\* cited by examiner

*Primary Examiner*—Sandra Snapp

(74) *Attorney, Agent, or Firm*—Duane Morris LLP

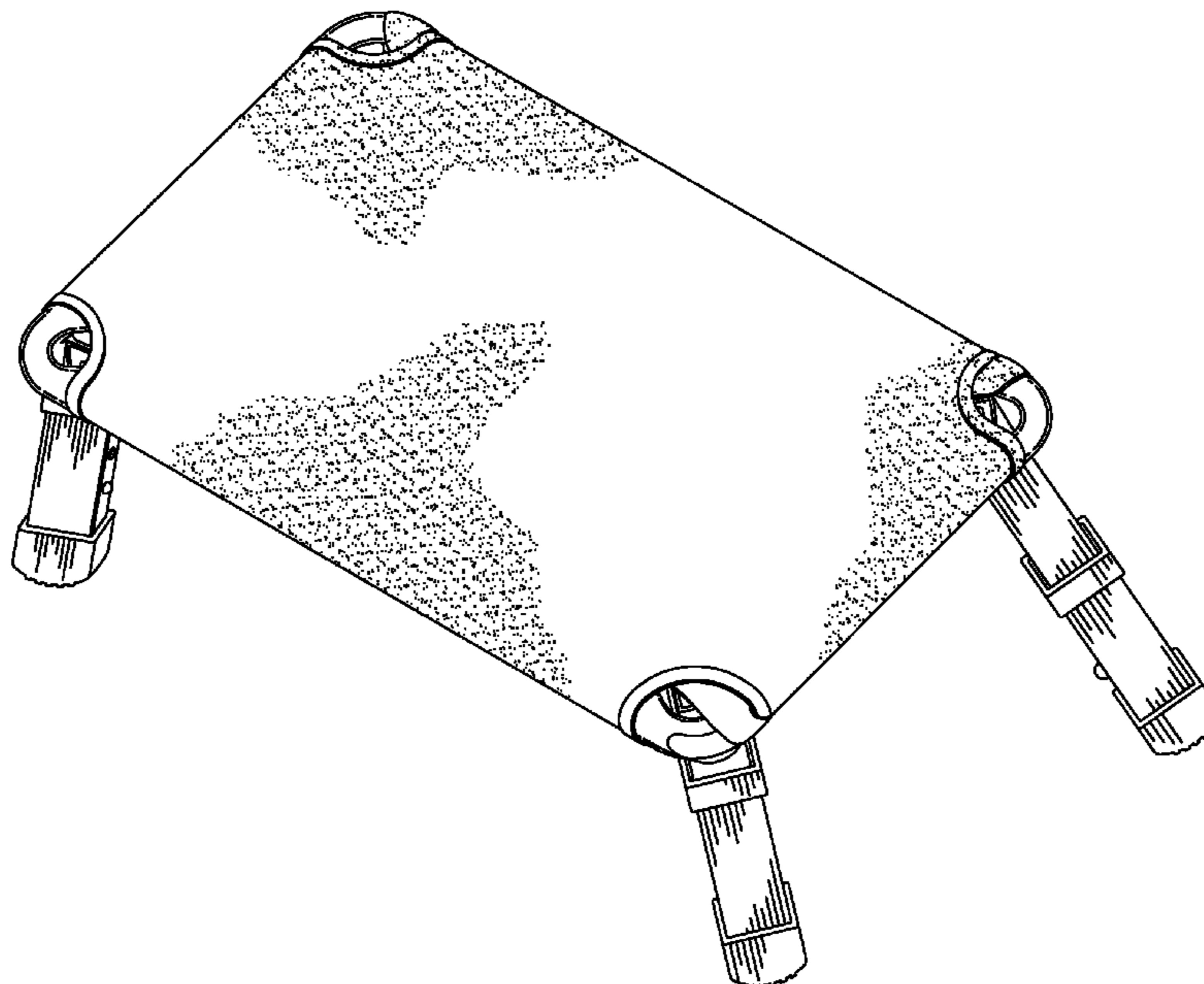
(57) **CLAIM**

The ornamental design of a folding uneven stool with full width webs, as shown and described.

**DESCRIPTION**

FIG. 1 is a perspective view of a folding uneven stool with full width webs, according to the new design, shown with the legs unfolded, and shaded to show flat, smooth surfaces; FIG. 2 is a top plan view thereof; FIG. 3 is a bottom plan view thereof, a carrying strap being shortened and wrapped on the frame of the seat for storage; FIG. 4 is a side elevation, from the left side in FIG. 1, it being appreciated that the legs are adjustable in length; FIG. 5 is a side elevation as in FIG. 4, but from the right side in FIG. 1; FIG. 6 is a front elevation view; FIG. 7 is a rear elevation view; FIG. 8 is perspective view showing the carrying strap in position for carrying and the legs folded; and, FIG. 9 is a bottom plan view showing the legs folded and the carrying strap in its storage arrangement.

**1 Claim, 7 Drawing Sheets**



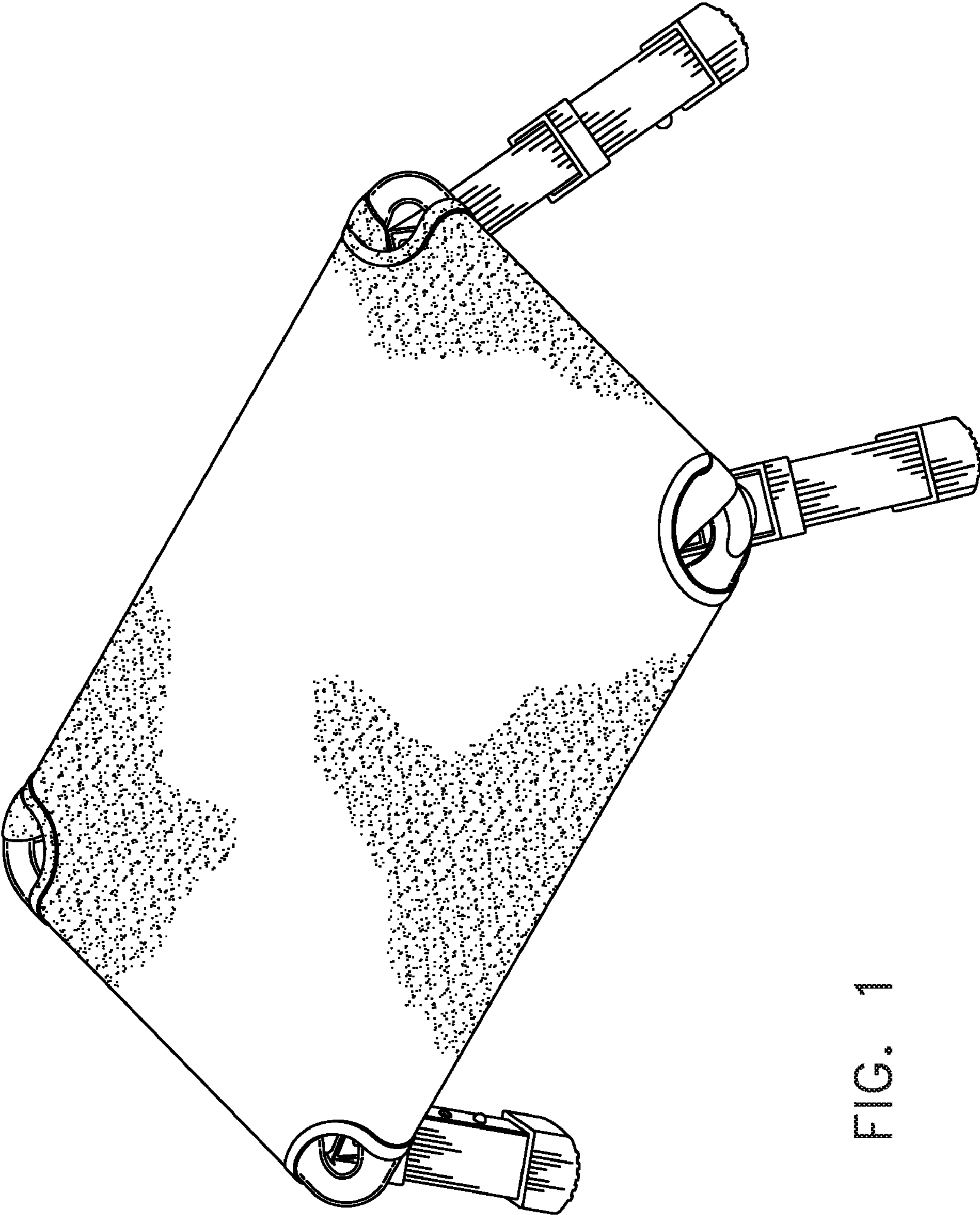


FIG. 1

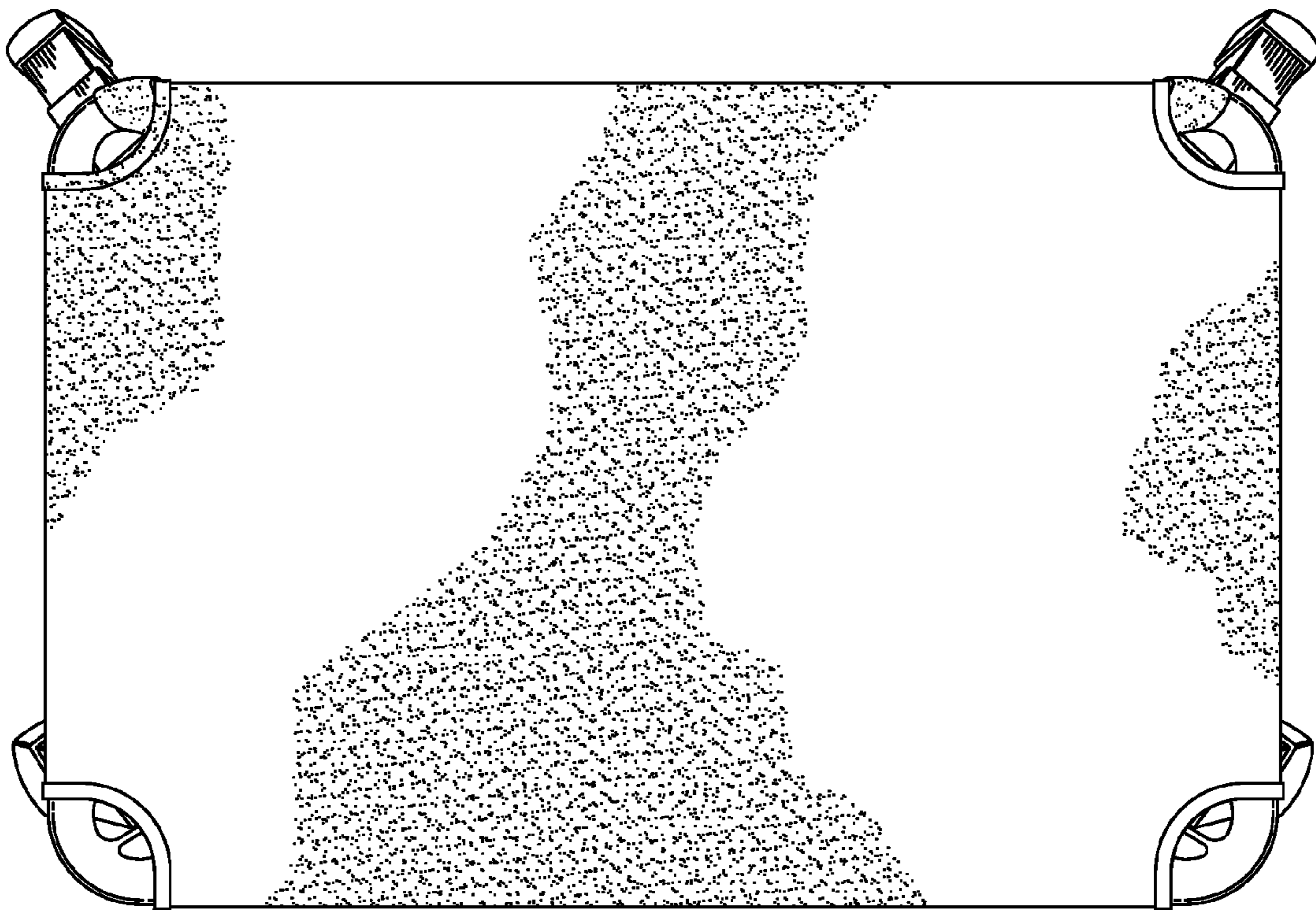


FIG. 2



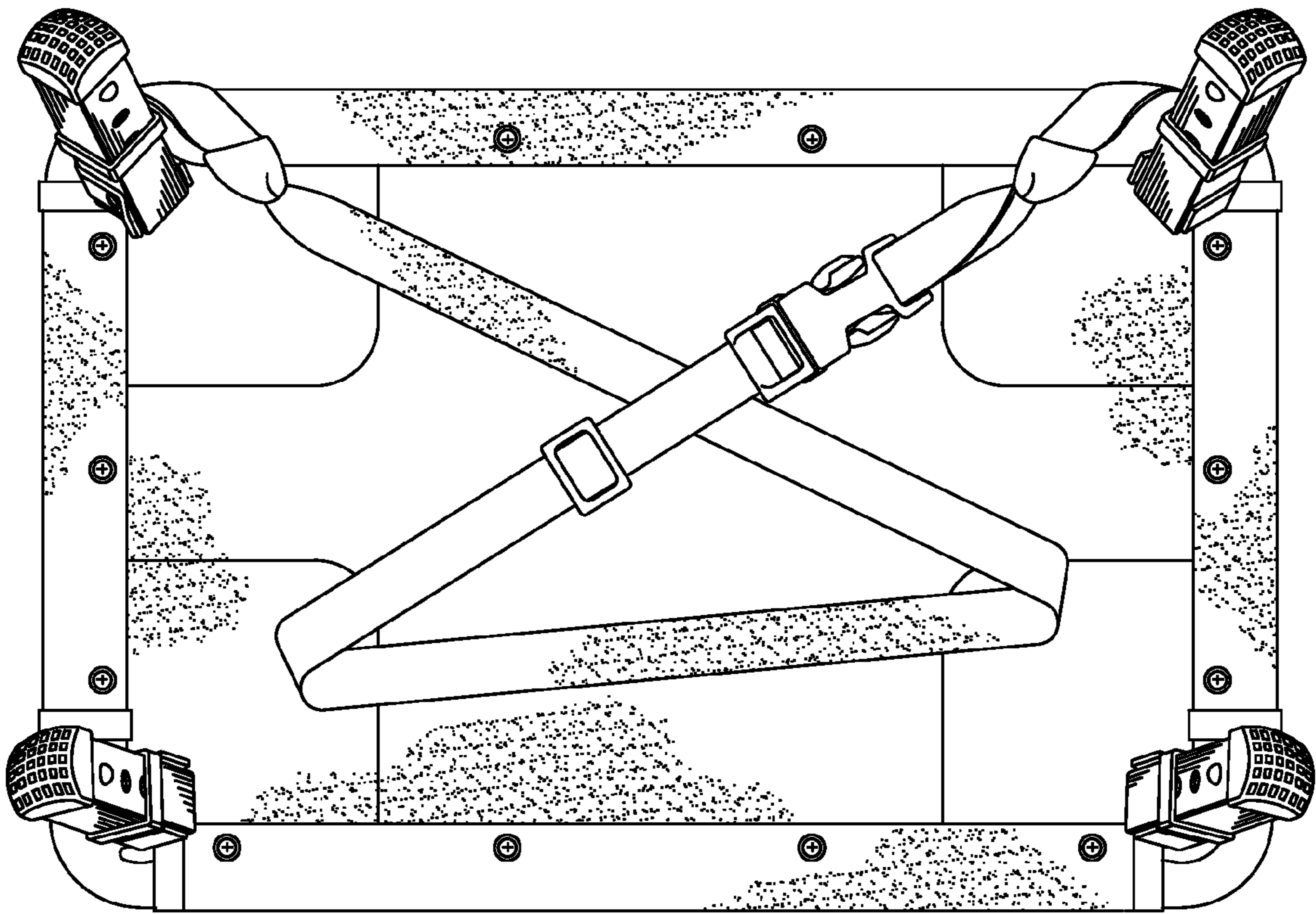


FIG. 3

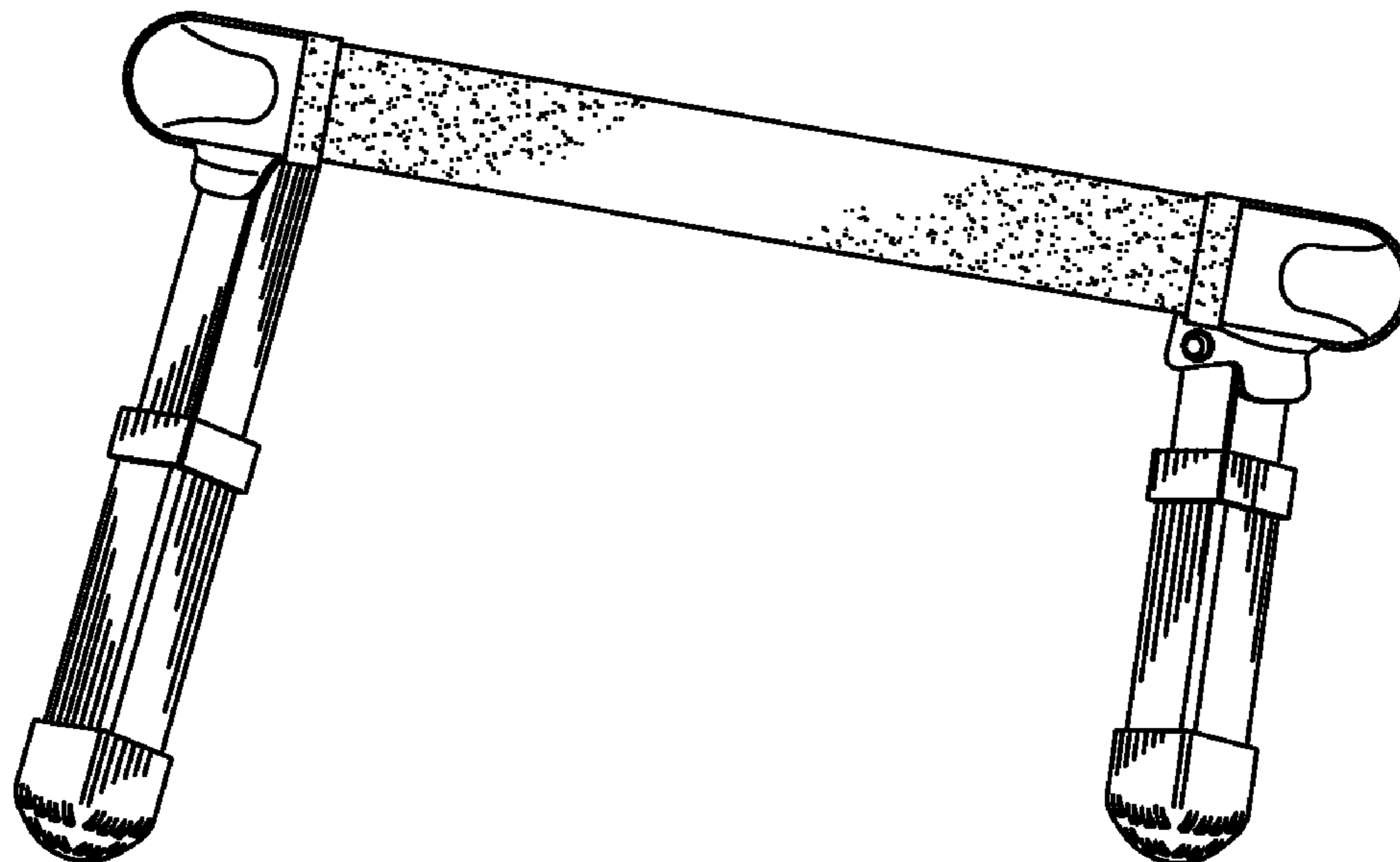


FIG. 4

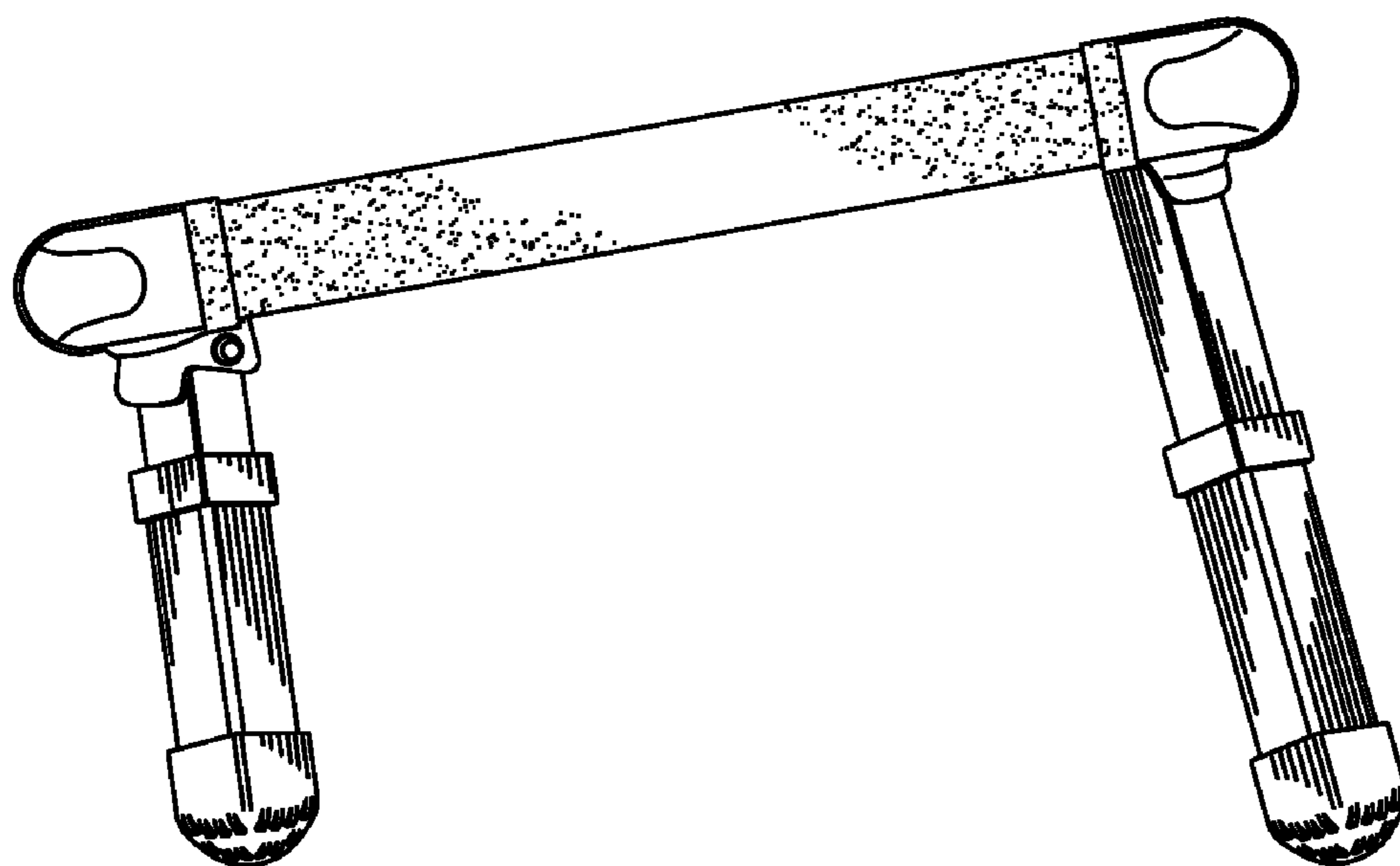


FIG. 5

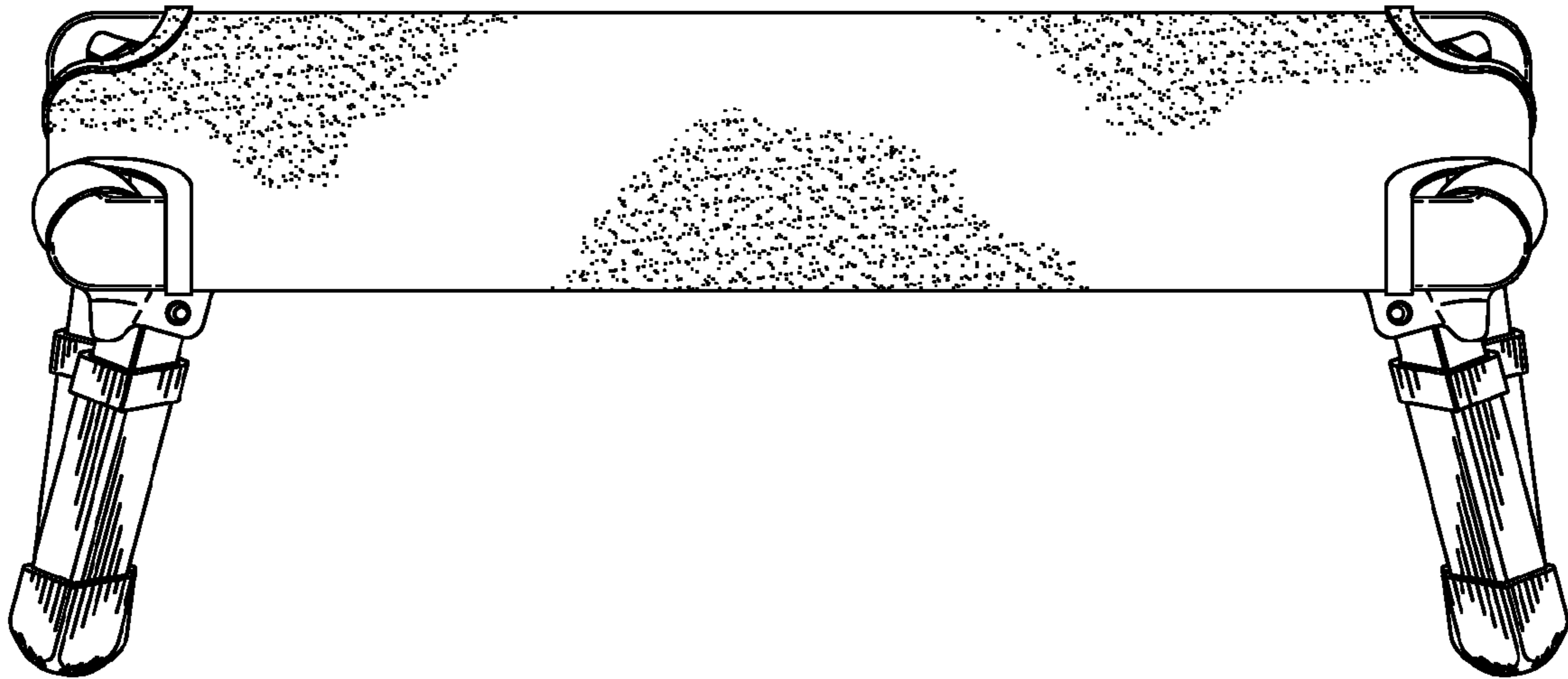


FIG. 6

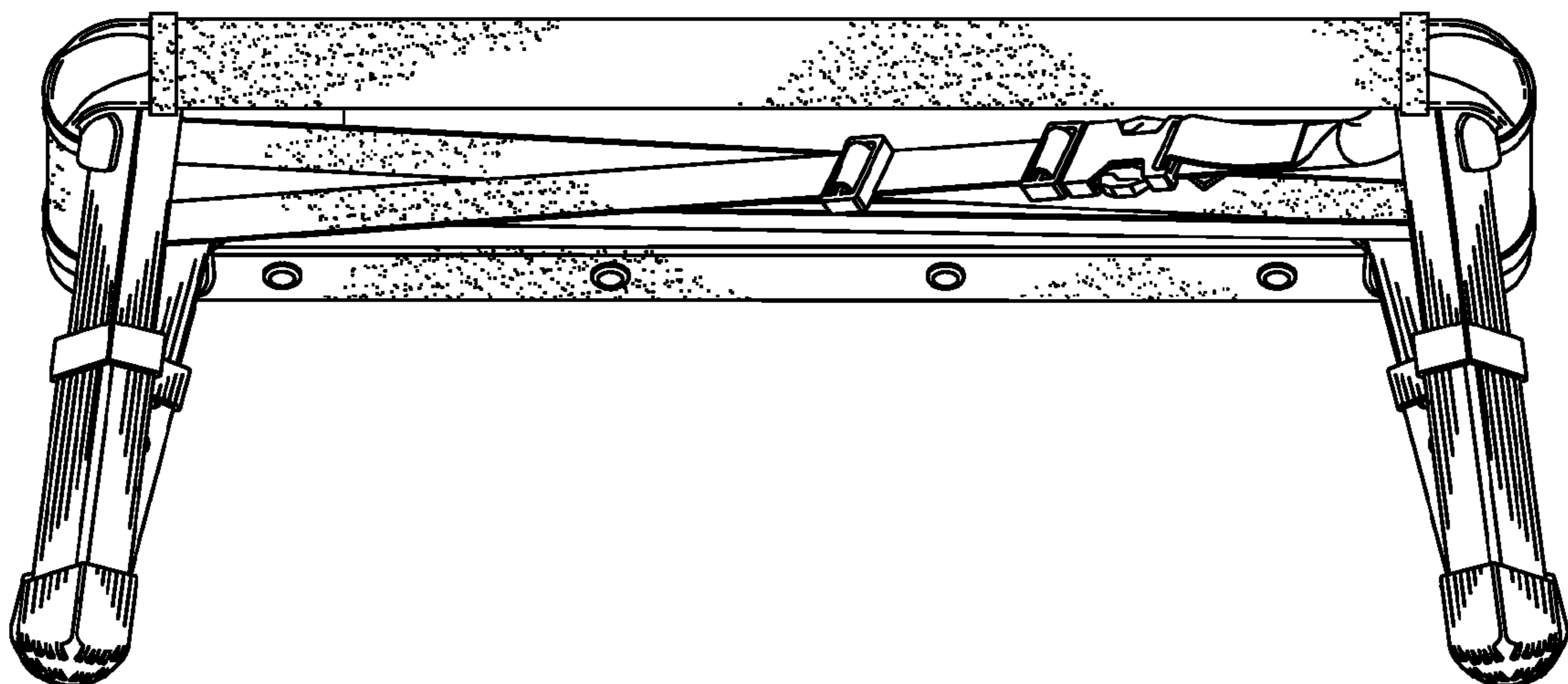


FIG. 7

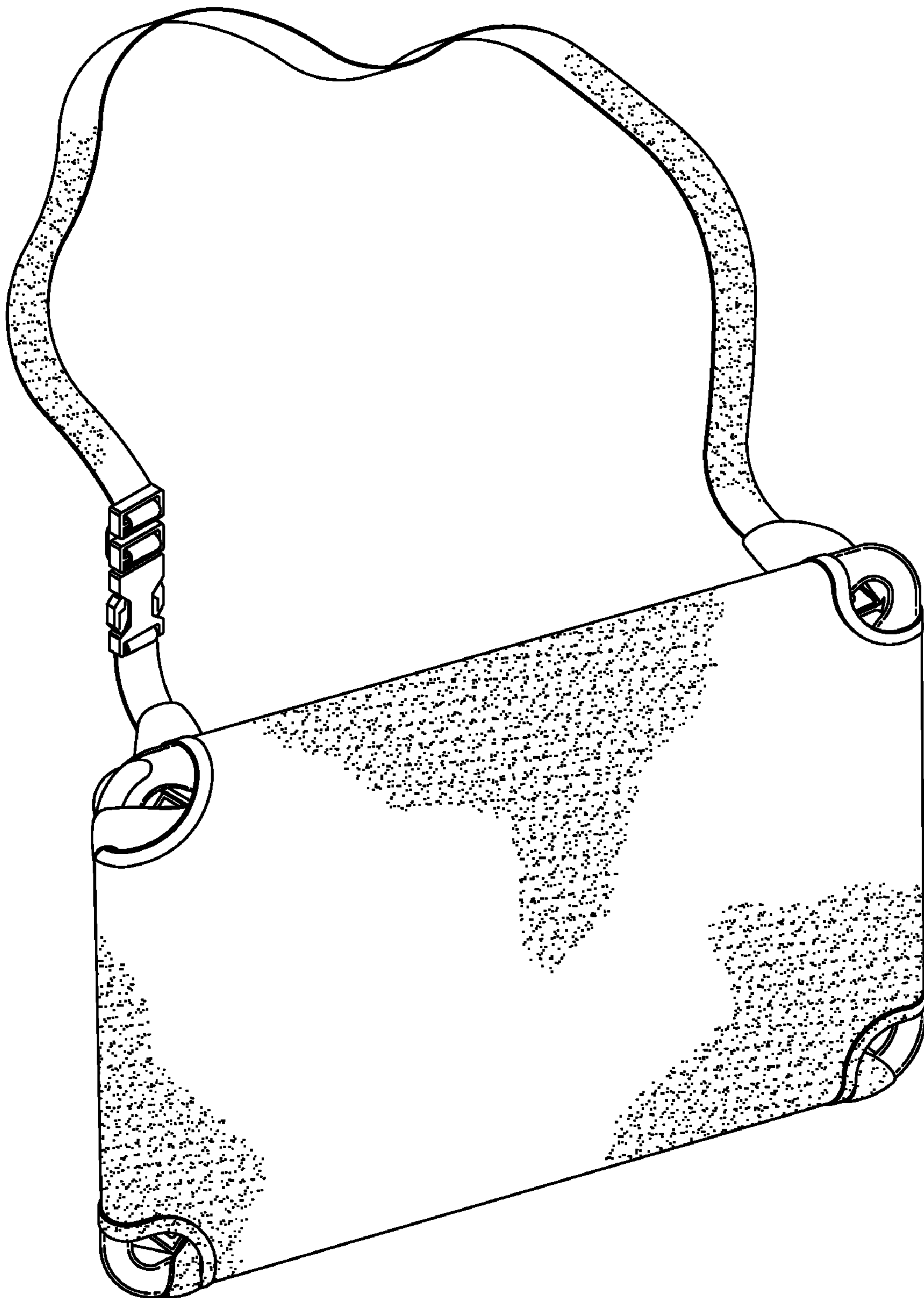


FIG. 8



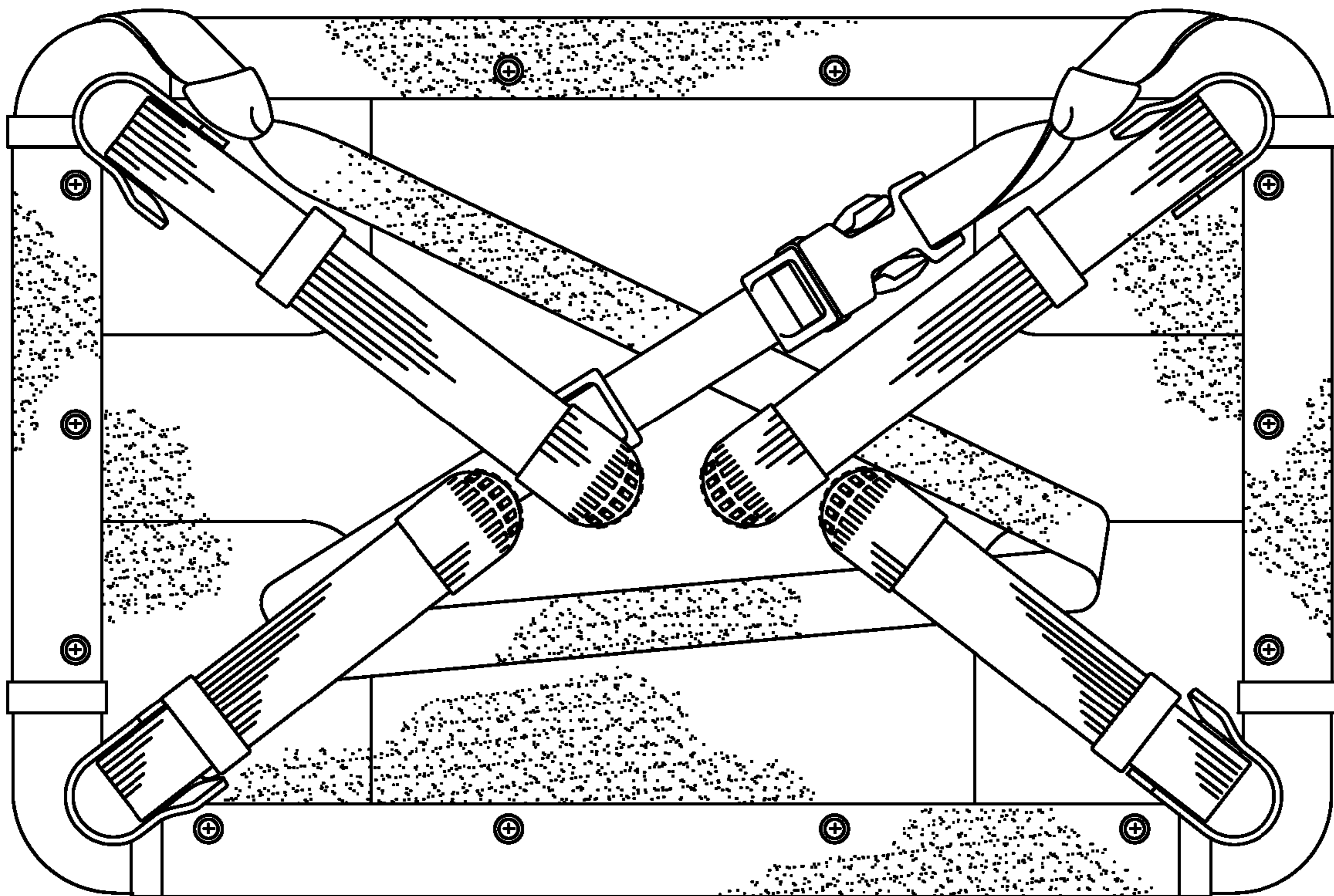


FIG. 9