

US00D548987S

(12) **United States Design Patent**
McNae

(10) **Patent No.:** **US D548,987 S**

(45) **Date of Patent:** **** Aug. 21, 2007**

(54) **COLLAPSIBLE ENTERTAINMENT ROCKER**

(76) Inventor: **Robert A. McNae**, 15001 Linner
Ridge, Minnetonka, MN (US) 55391

(**) Term: **14 Years**

(21) Appl. No.: **29/241,902**

(22) Filed: **Nov. 2, 2005**

(51) **LOC (8) Cl.** **06-01**

(52) **U.S. Cl.** **D6/344; D6/335**

(58) **Field of Classification Search** D6/334-338,
D6/349, 355, 363, 364, 369-370, 381, 491,
D6/500-502, 509, 511, 601, 344, 348; 297/16.1-16.2,
297/116, 135, 154, 187, 158.3, 158.4, 158.5,
297/184.1, 232, 244, 411.37, 440.1, 445.1;
5/12.1, 655.3

See application file for complete search history.

(56) **References Cited**

U.S. PATENT DOCUMENTS

2,219,624	A *	10/1940	Dixon	601/122
2,593,319	A *	4/1952	Levitin et al.	5/657
D167,514	S *	8/1952	Hicks	D6/335
D197,646	S *	3/1964	Rose	D6/336
3,227,445	A *	1/1966	Jensen	472/114
D214,835	S *	8/1969	Lockwood	D6/348
D245,132	S *	7/1977	Gale, Jr.	D6/348
D286,802	S *	11/1986	Ahlberg	D21/688

4,793,651	A *	12/1988	Inagaki et al.	297/180.11
4,919,481	A *	4/1990	Garabedian	297/271.6
D337,445	S *	7/1993	Sando	D6/368
D374,695	S *	10/1996	Hatfield	D21/688
D375,415	S *	11/1996	Cutten	D6/361
D422,800	S *	4/2000	Lau	D6/348
6,254,177	B1 *	7/2001	Tseng	297/54
D524,385	S *	7/2006	Webb	D21/687

* cited by examiner

Primary Examiner—Sandra Snapp

(57) **CLAIM**

The ornamental design for a collapsible entertainment rocker, as shown.

DESCRIPTION

FIG. 1 is a front view of a collapsible entertainment rocker showing the new design;

FIG. 2 is a right side view thereof;

FIG. 3 is a collapsed bottom view thereof;

FIG. 4 is a collapsed top view thereof;

FIG. 5 is a collapsed right side view thereof;

FIG. 6 is a collapsed left view thereof; and,

FIG. 7 is an isometric view of the entertainment rocker in the open position.

1 Claim, 7 Drawing Sheets



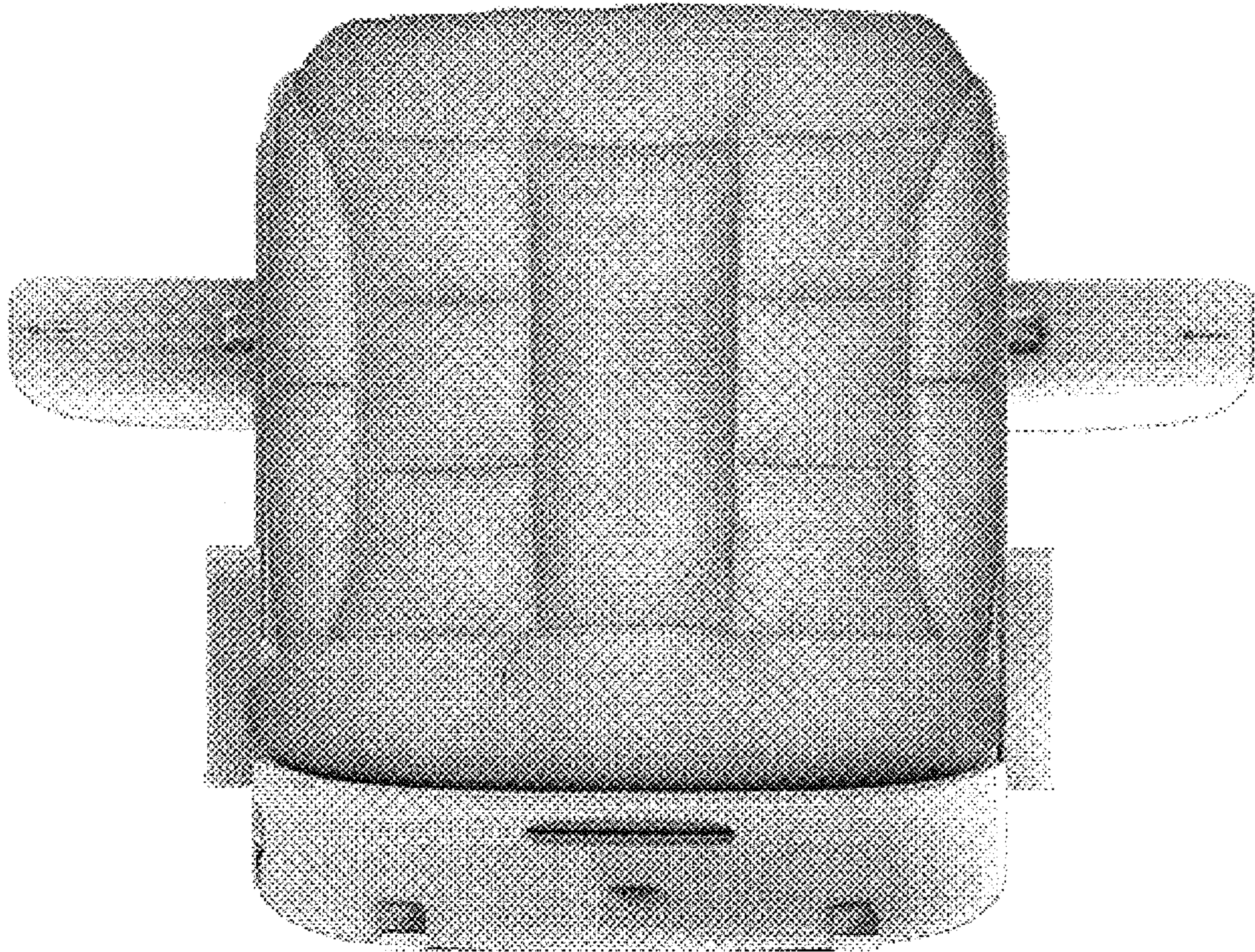


Figure 1

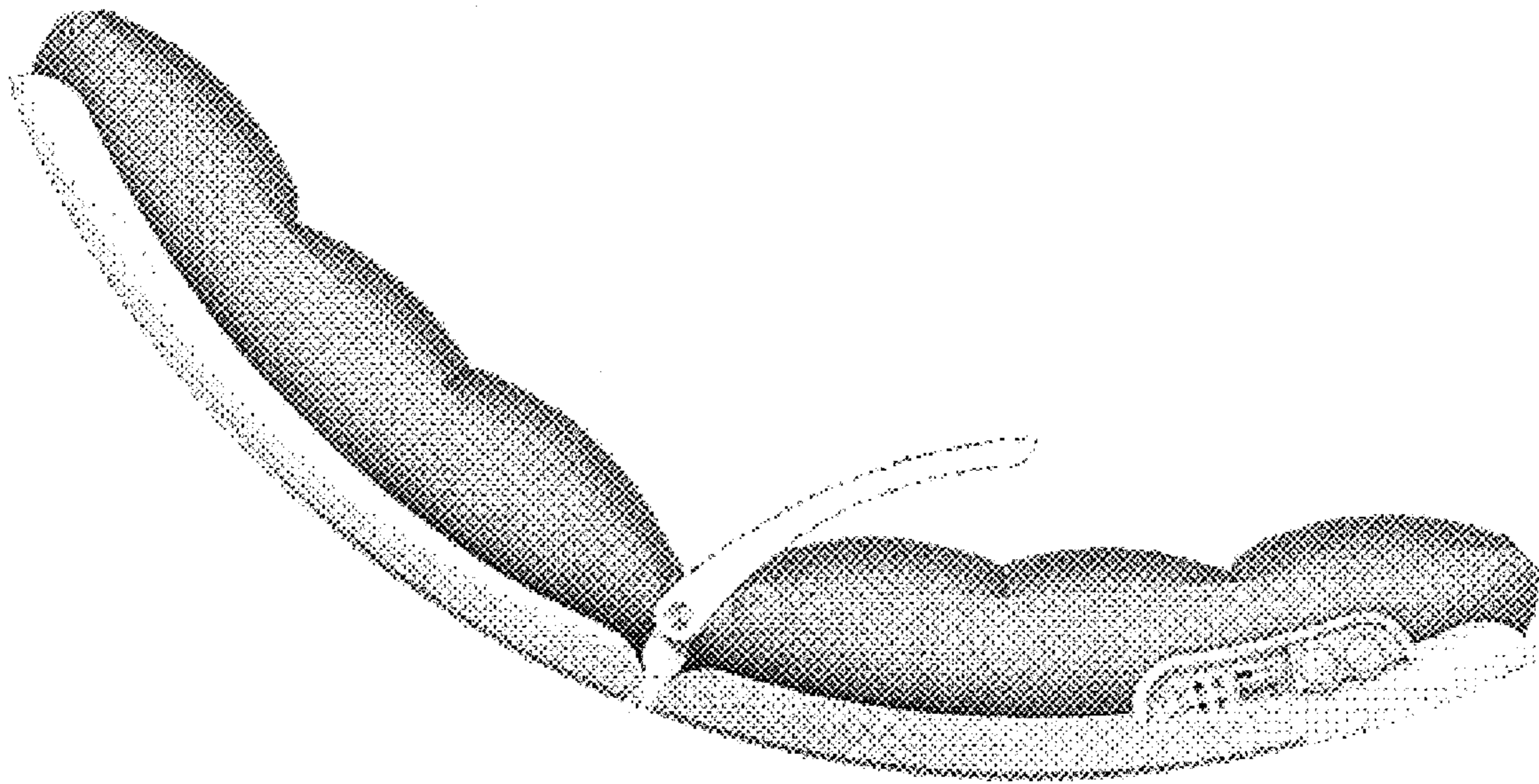


Figure 2

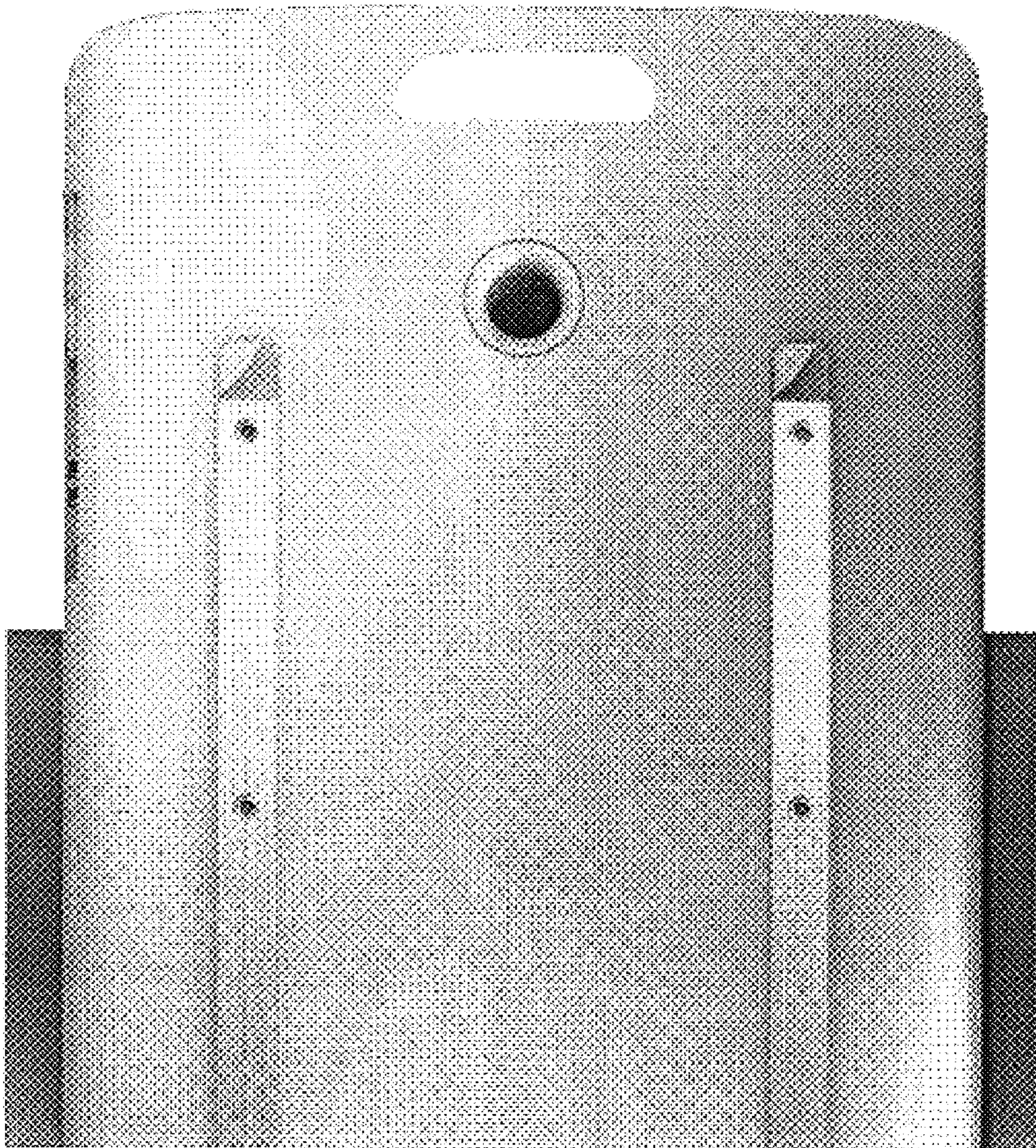


Figure 3

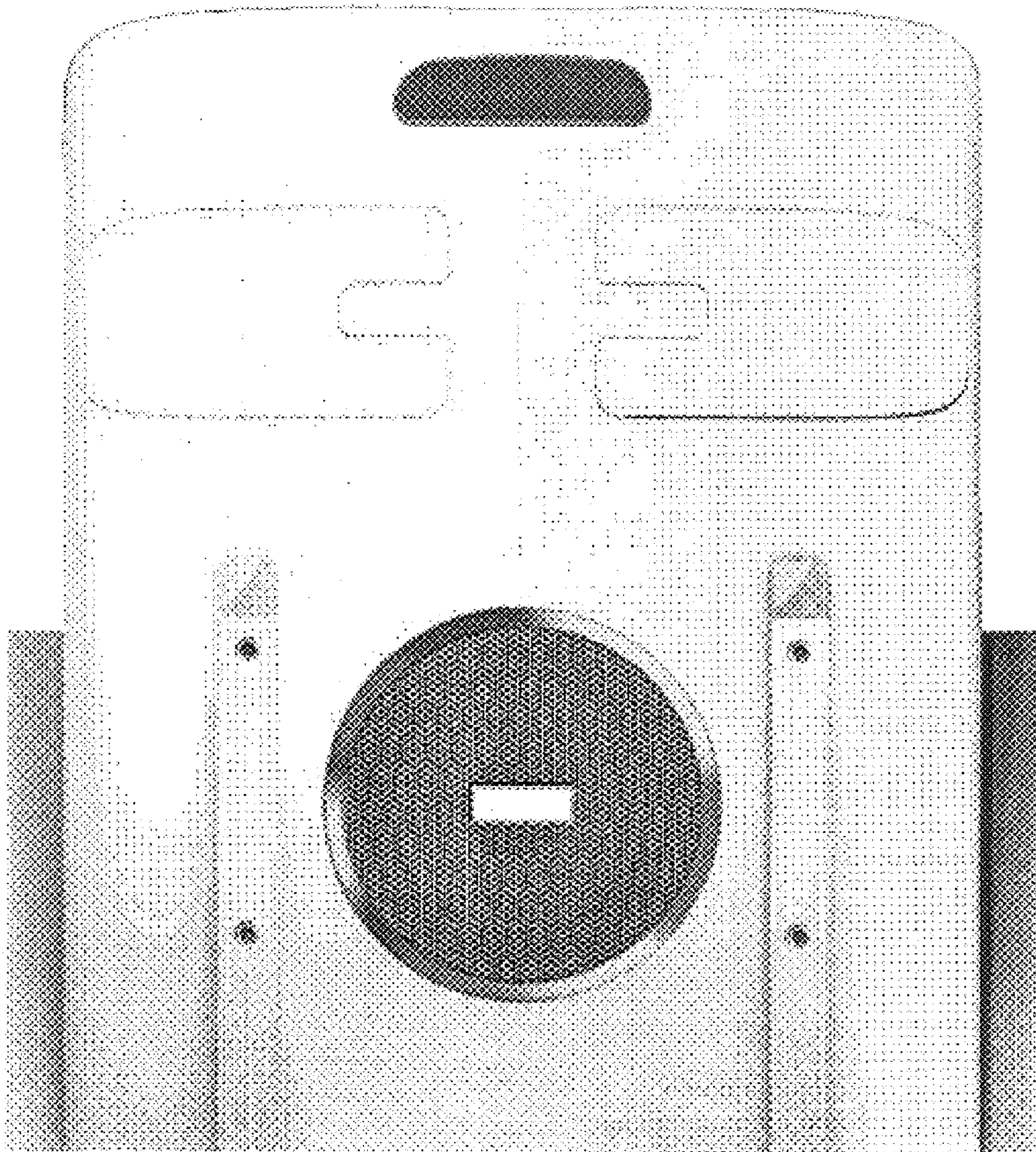


Figure 4

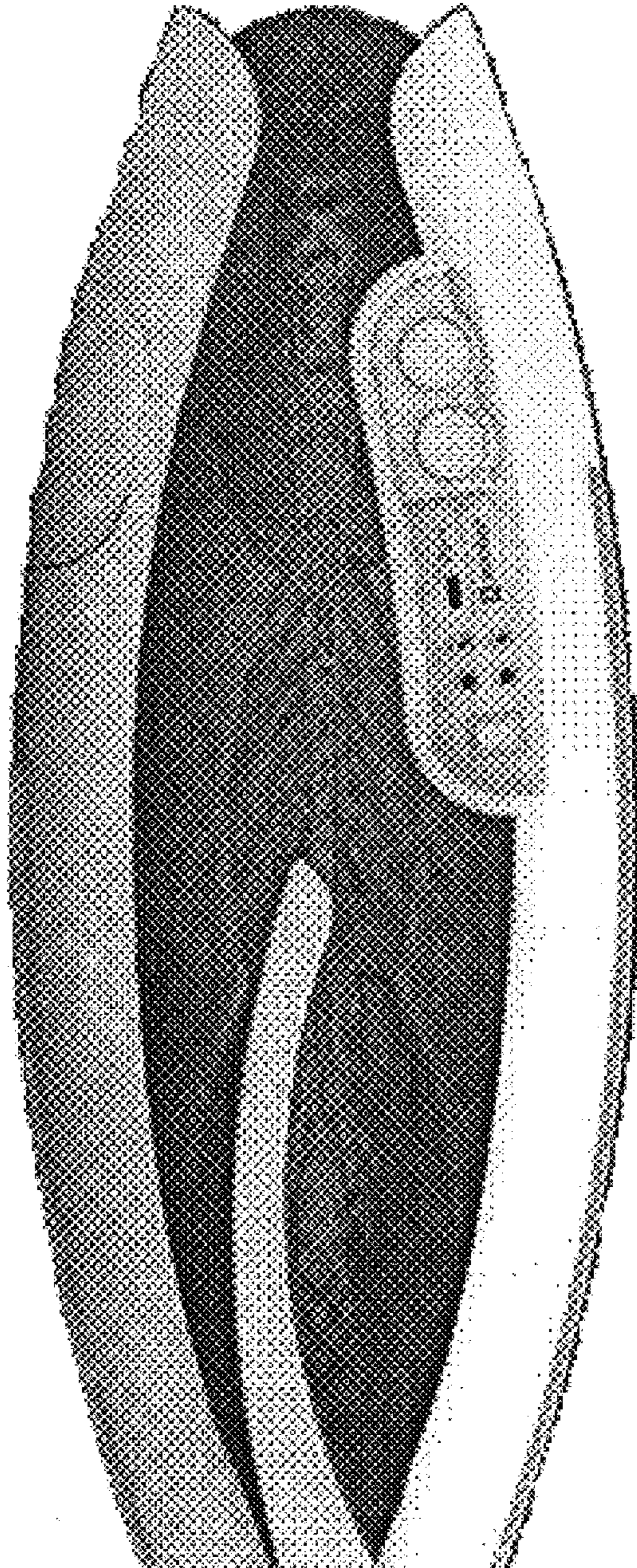


Figure 5

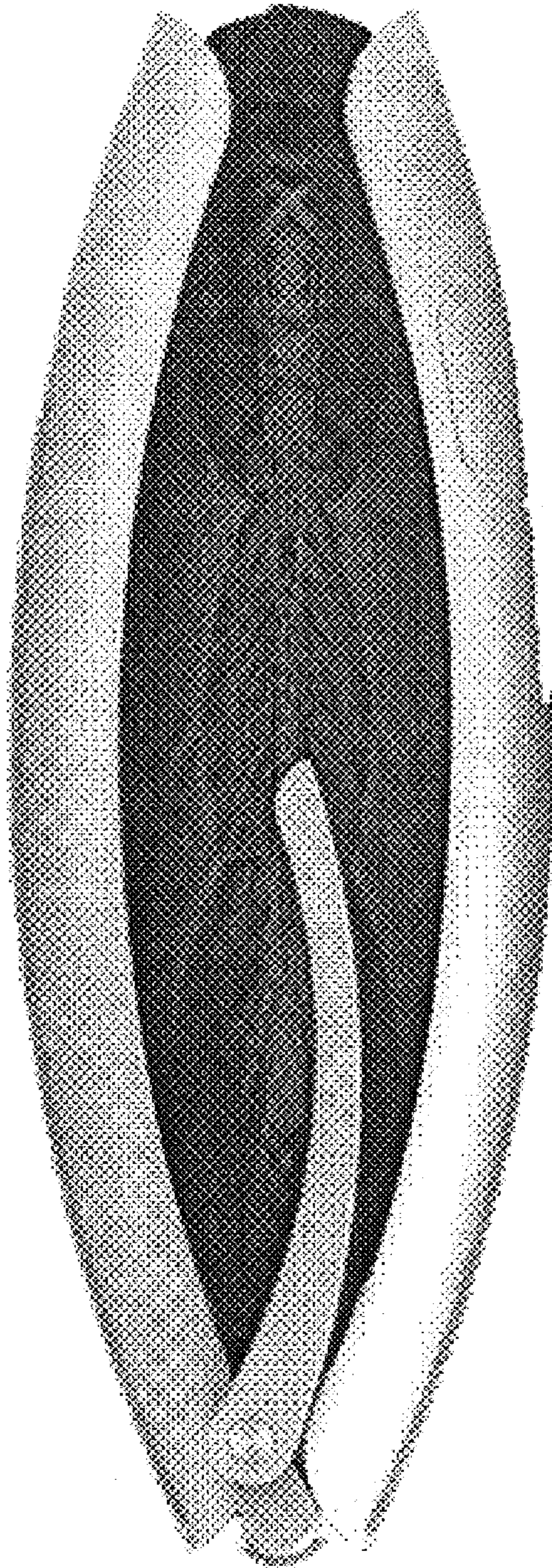


Figure 6



Figure 7