

US00D548985S

(12) **United States Design Patent**
Zakas

(10) **Patent No.:** **US D548,985 S**

(45) **Date of Patent:** **** Aug. 21, 2007**

(54) **STAND FOR MULTIPLE TELEVISION SETS**

(75) **Inventor:** **Peter M. Zakas**, Lawrenceville, GA
(US)

(73) **Assignee:** **Six Continents Hotels, Inc.**, Atlanta,
GA (US)

(**) **Term:** **14 Years**

(21) **Appl. No.:** **29/249,145**

(22) **Filed:** **Sep. 22, 2006**

(51) **LOC (8) Cl.** **06-01**

(52) **U.S. Cl.** **D6/335**

(58) **Field of Classification Search** D6/334-338,
D6/349, 355, 363, 364, 369-370, 381, 491,
D6/500-502, 509, 511, 601; 297/16.1-16.2,
297/116, 135, 154, 187, 158.3, 158.4, 158.5,
297/184.1, 232, 244, 411.37, 440.1, 445.1;
5/12.1, 655.3; D14/451

See application file for complete search history.

(56) **References Cited**

U.S. PATENT DOCUMENTS

D39,265 S * 4/1908 Holtzclaw D6/357
D150,247 S * 7/1948 Nichols D6/357
2,476,105 A * 7/1949 Megary 5/8
D192,679 S * 5/1962 Kamp D6/336

D192,870 S * 5/1962 Schwartz D7/502
D203,817 S * 2/1966 Burke D6/357
D205,766 S * 9/1966 Martignoli D6/381
D209,046 S * 10/1967 Hershberger D6/362
D244,888 S * 7/1977 Shafer et al. D6/335
6,887,010 B2 * 5/2005 Mayer Rodis 404/6

* cited by examiner

Primary Examiner—Sandra Snapp

(74) *Attorney, Agent, or Firm*—Leydig, Voit & Mayer, Ltd.

(57) **CLAIM**

The ornamental design for a stand for multiple television sets, as shown and described.

DESCRIPTION

FIG. 1 is a side perspective view of an embodiment of my new stand for multiple television sets;

FIG. 2 is front elevation view thereof, with the rear elevation view being a mirror image thereof;

FIG. 3 is left side elevation view, with the right side elevation view being a mirror image thereof; and,

FIG. 4 is top plan view thereof.

The broken line showing is for illustrative purposes only and forms no part of the claimed design.

1 Claim, 3 Drawing Sheets

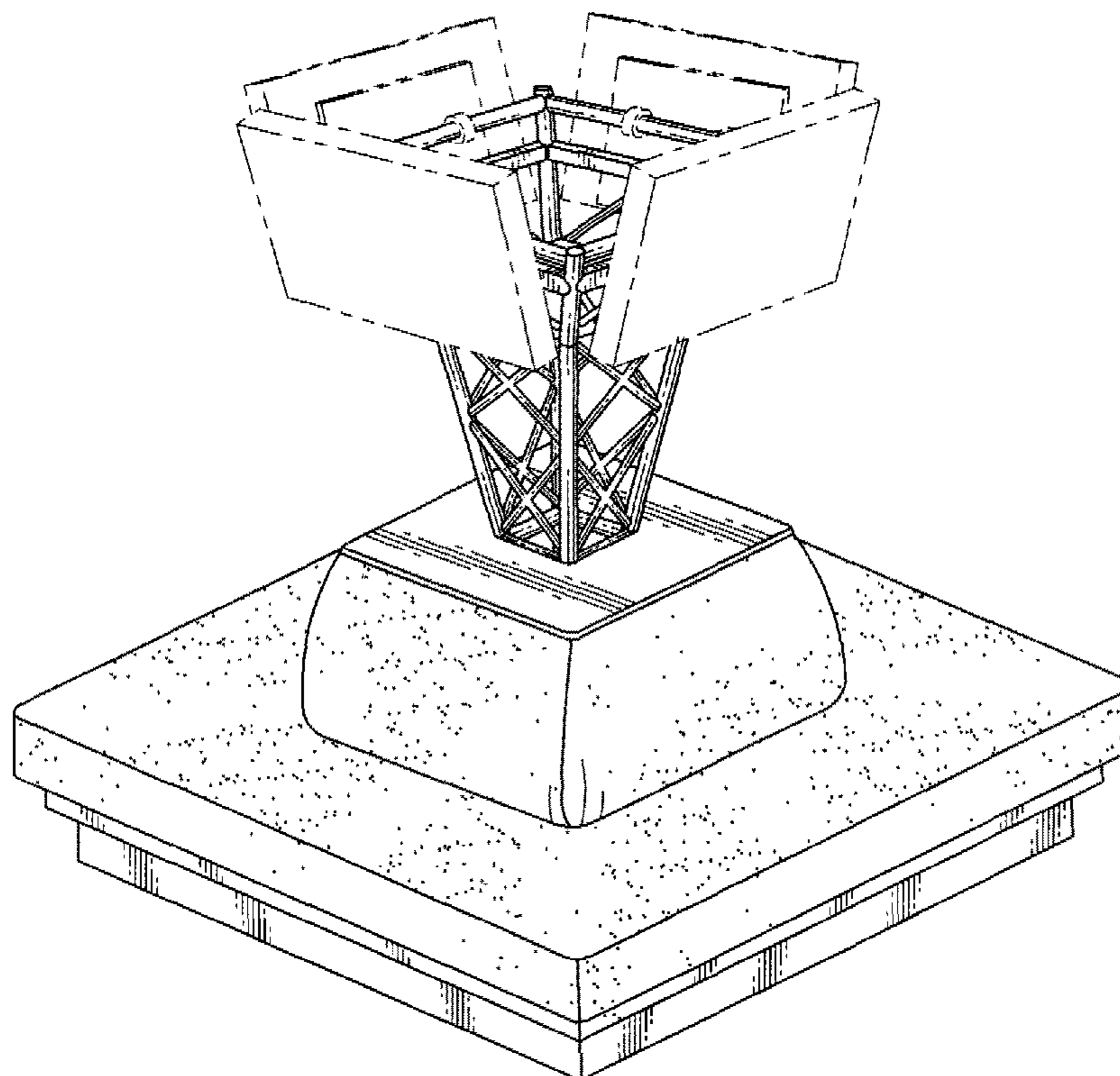


FIG. 1

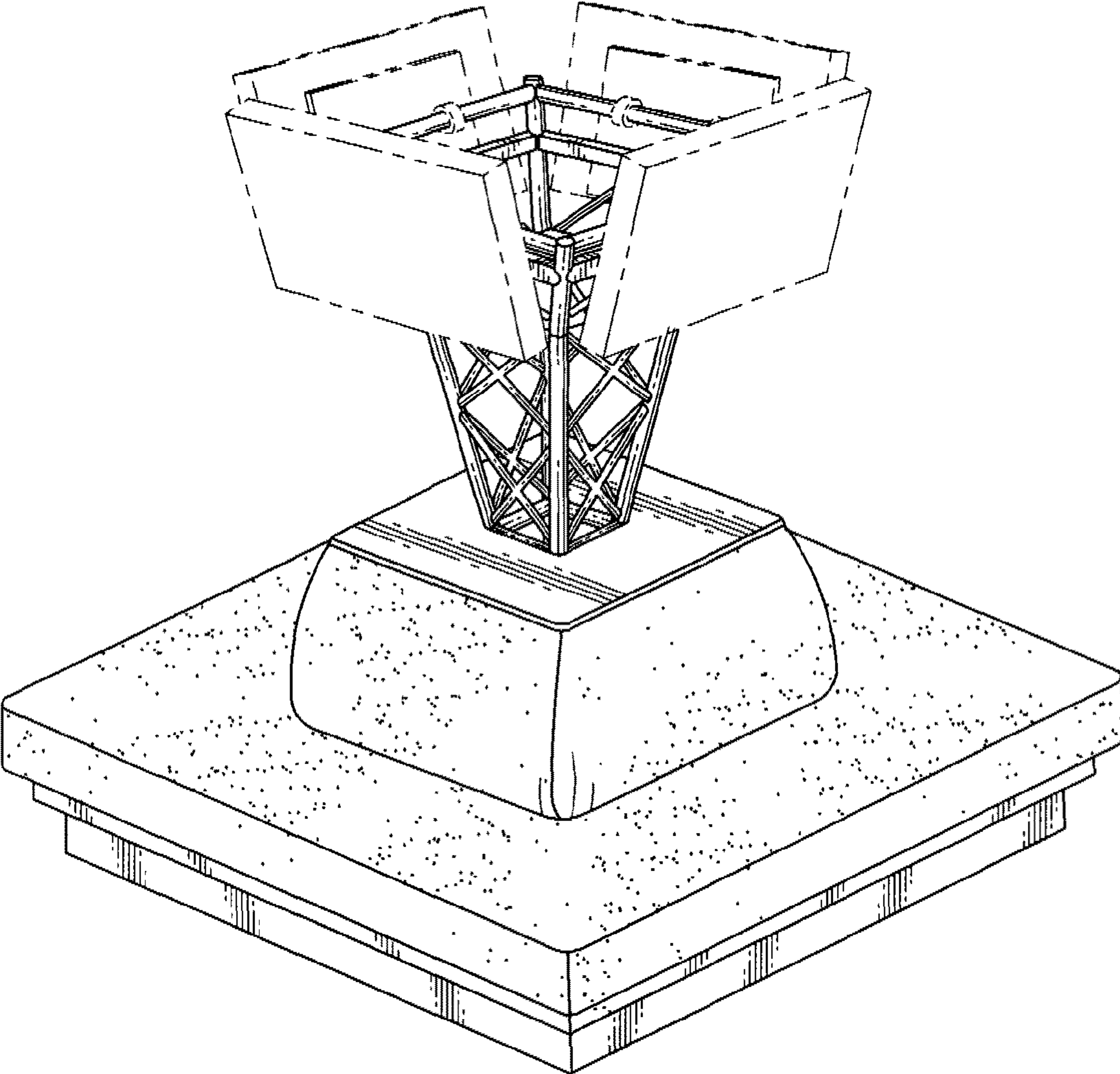


FIG. 3

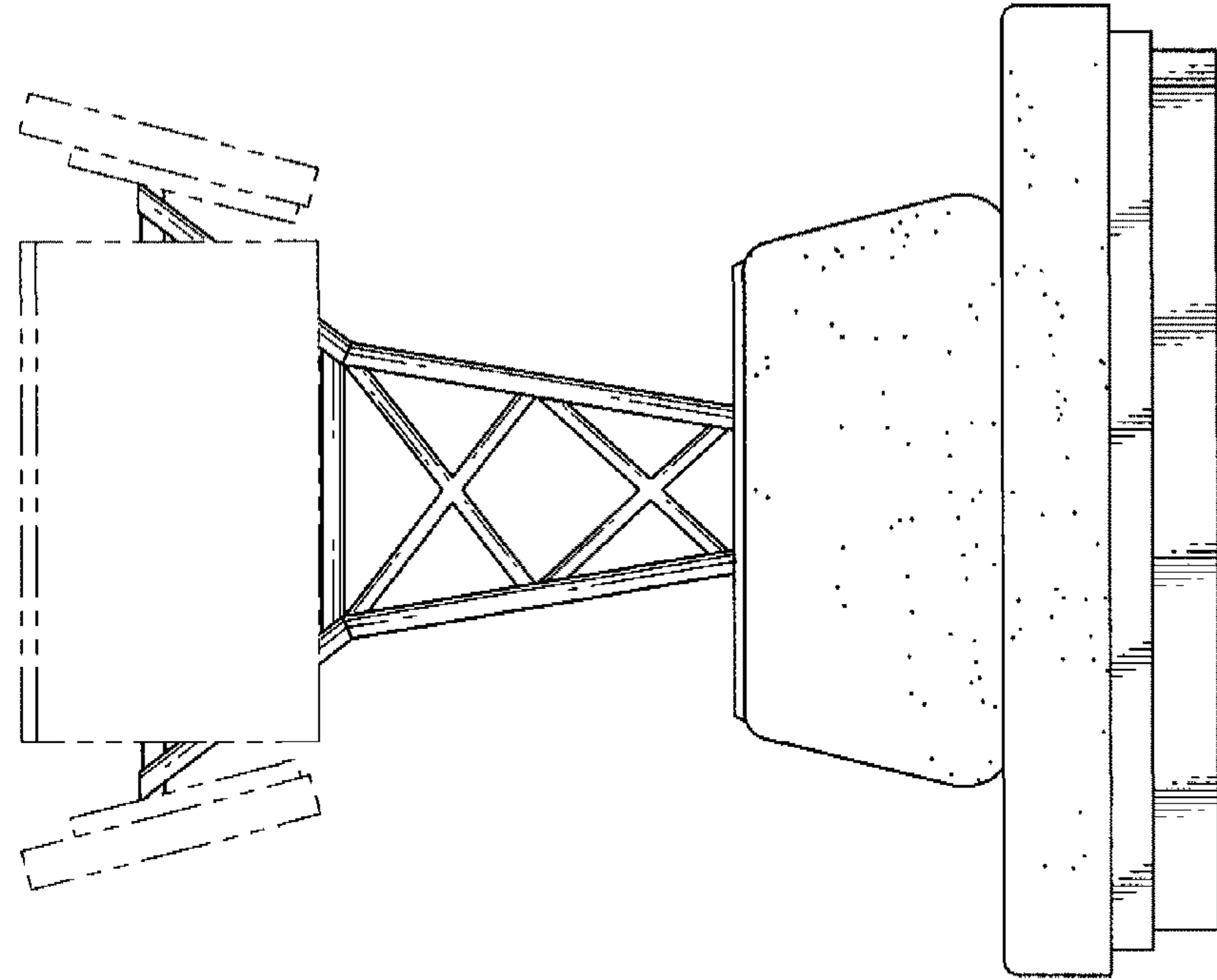


FIG. 2

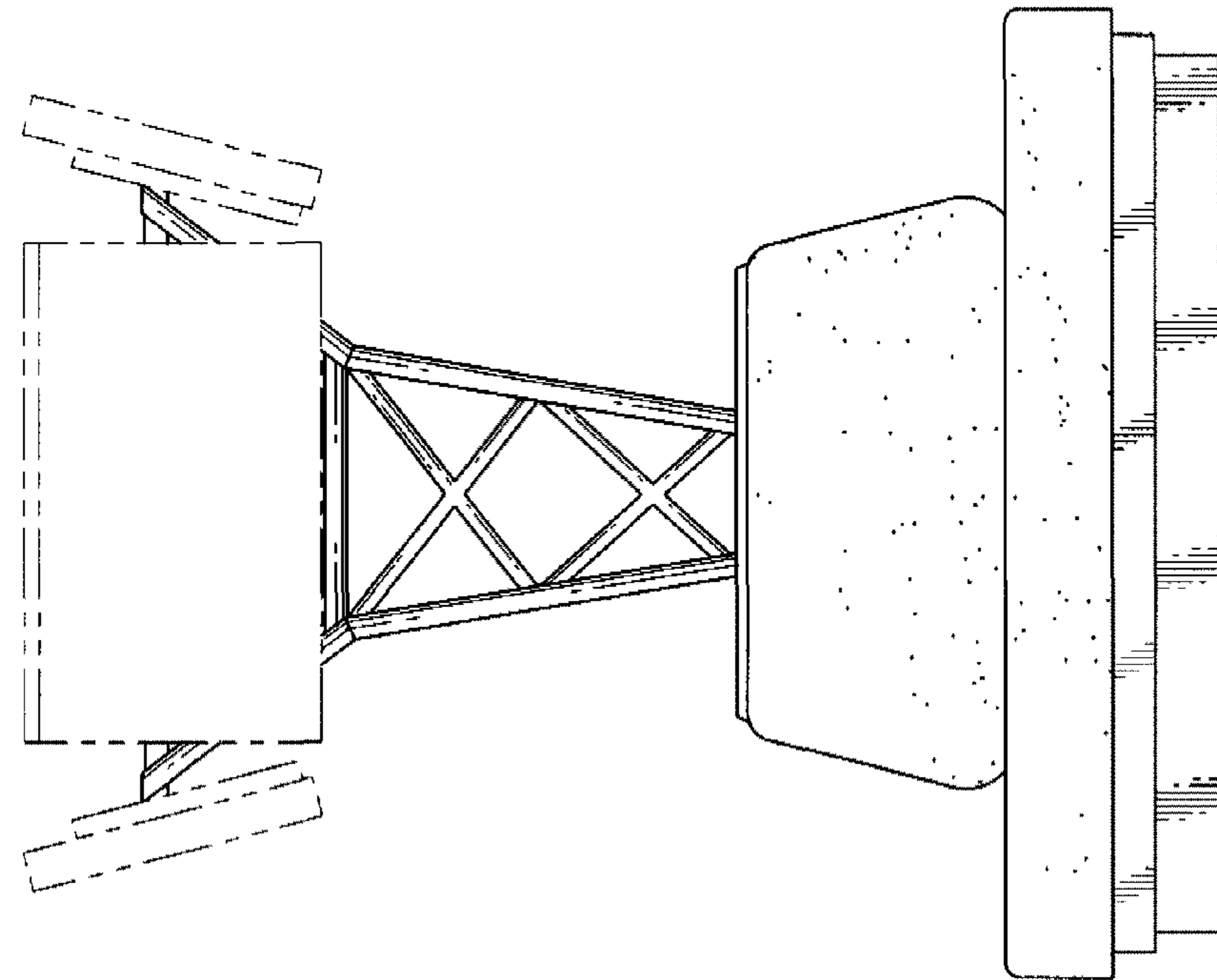


FIG. 4

