

US00D548984S

(12) **United States Design Patent**  
**Langbroek**

(10) **Patent No.:** **US D548,984 S**

(45) **Date of Patent:** **\*\* Aug. 21, 2007**

(54) **CHAIR**

(75) Inventor: **Johannes Langbroek**, Argaka (CY)

(73) Assignee: **New Balance B.V.**, Hertogenbosch (NL)

(\*\*) Term: **14 Years**

(21) Appl. No.: **29/248,376**

(22) Filed: **Aug. 11, 2006**

(51) **LOC (8) Cl.** ..... **06-01**

(52) **U.S. Cl.** ..... **D6/334**

(58) **Field of Classification Search** ..... D6/334,  
D6/370, 374, 379-381, 500-502; 297/445.1,  
297/446.1; 5/12.1

See application file for complete search history.

(56) **References Cited**

**U.S. PATENT DOCUMENTS**

D78,780 S *	6/1929	Papa	.....	D6/381
2,466,204 A *	4/1949	Brown	.....	297/115
D177,454 S *	4/1956	Young	.....	D6/334
D199,788 S *	12/1964	Pearl	.....	D6/334
D233,093 S *	10/1974	Fisher	.....	D6/369
D235,120 S *	5/1975	Mergenov	.....	D6/379
D250,154 S *	11/1978	Benoit	.....	D6/379
D317,683 S *	6/1991	Giorgetti	.....	D6/379
D357,368 S *	4/1995	Pedersen	.....	D6/371
D358,500 S *	5/1995	Pedersen	.....	D6/371
D360,995 S *	8/1995	Pedersen	.....	D6/381

D505,276 S *	5/2005	Cronk et al.	.....	D6/334
D510,666 S *	10/2005	Pimental et al.	.....	D6/334
D537,260 S *	2/2007	Osburn	.....	D6/334

**OTHER PUBLICATIONS**

Struktur chair, Supplement to Schoner Wohnen catalog, Sep. 1995, 2 pgs.\*

\* cited by examiner

*Primary Examiner*—Sandra Snapp

(74) *Attorney, Agent, or Firm*—Akin Gump Strauss Hauer & Feld LLP

(57) **CLAIM**

The ornamental design for a chair, as shown and described.

**DESCRIPTION**

FIG. 1 is a front perspective view of the right side of a chair in accordance with my new design;

FIG. 2 is a front perspective view thereof;

FIG. 3 is a perspective view of the right side thereof, the perspective view of the left side thereof being a mirror image;

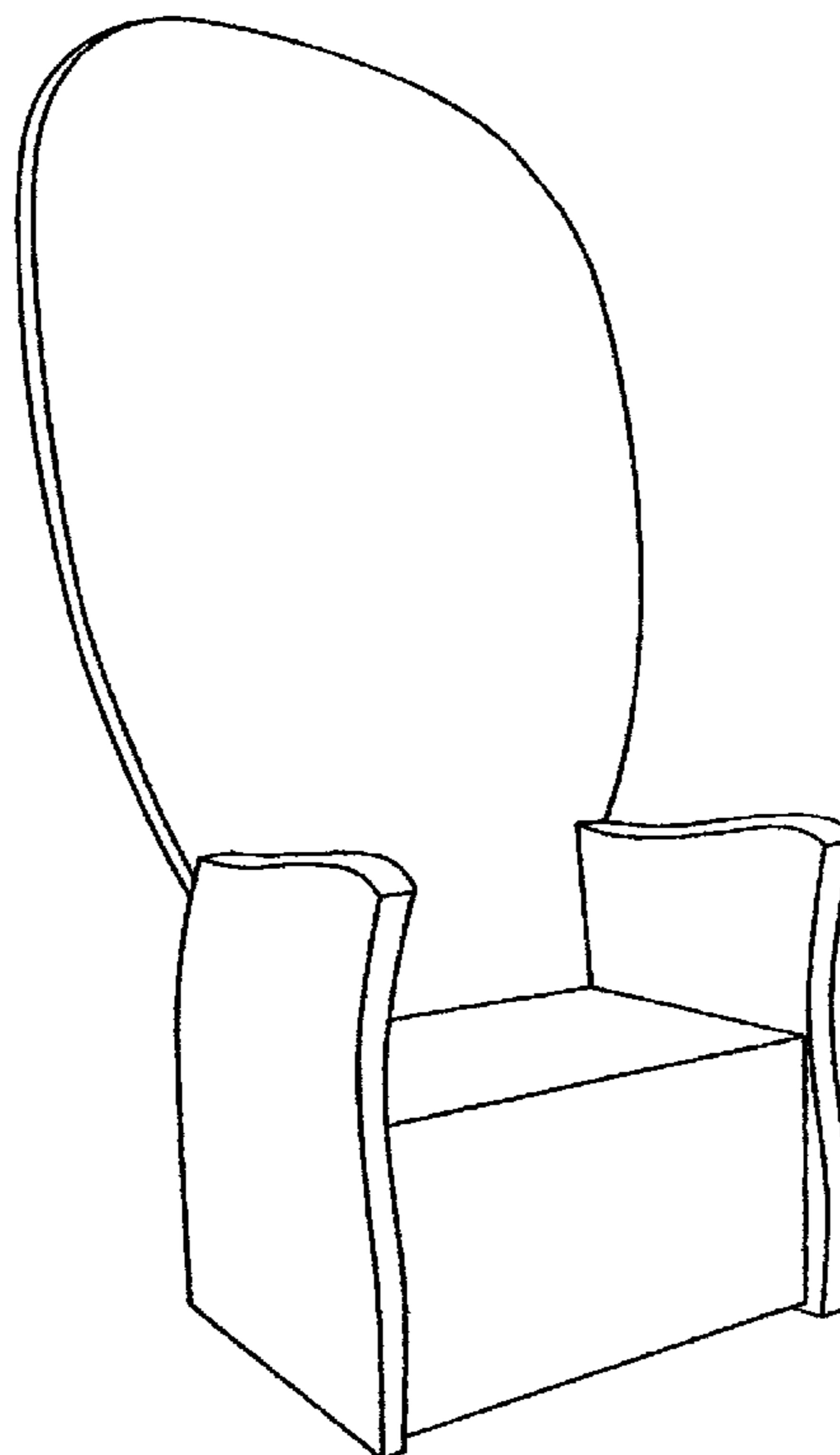
FIG. 4 is a rear perspective view thereof;

FIG. 5 is a top perspective view thereof; and,

FIG. 6 is a bottom perspective view thereof.

The unshaded major surfaces of the chair are planar.

**1 Claim, 6 Drawing Sheets**



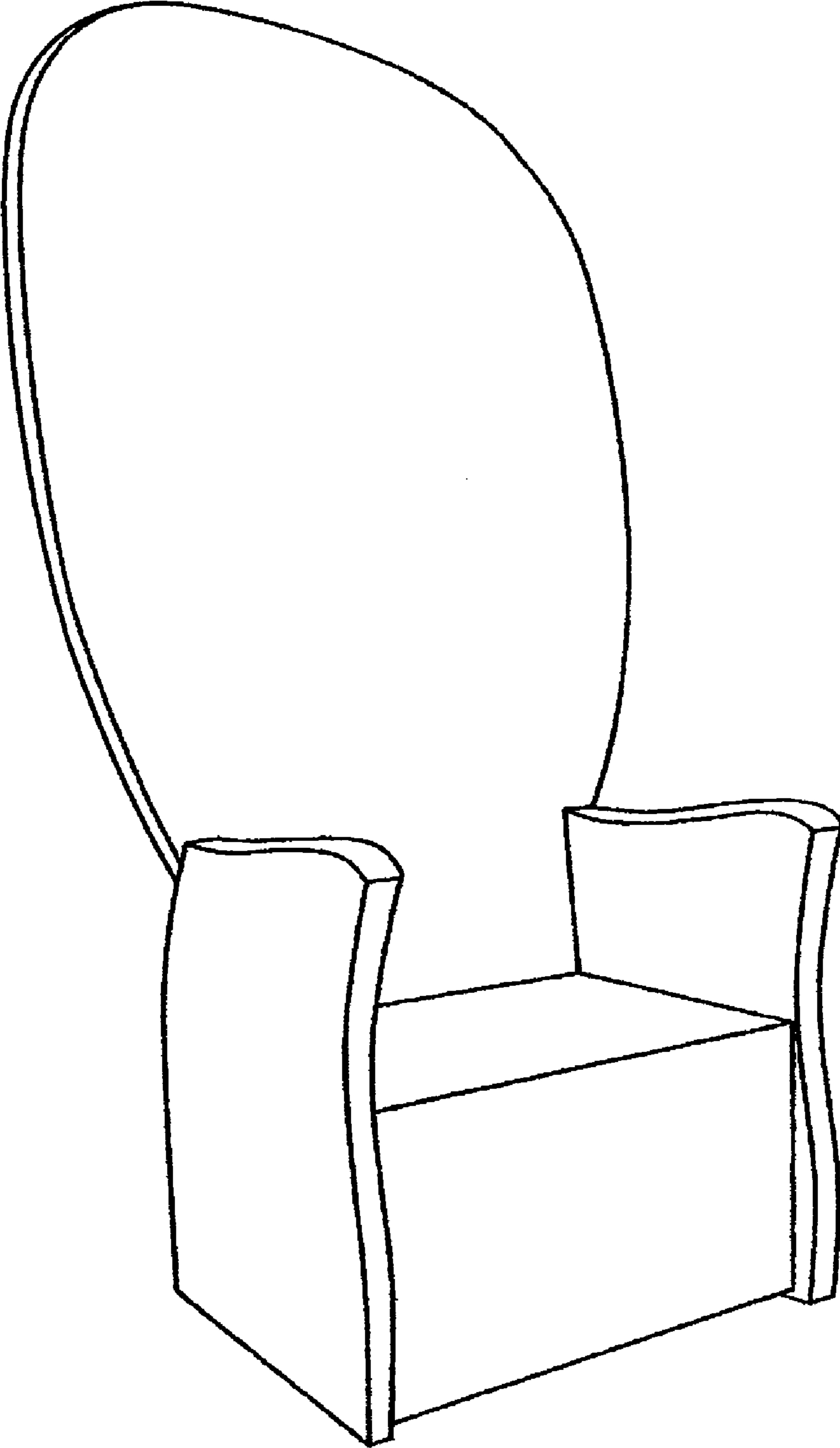


FIGURE 1

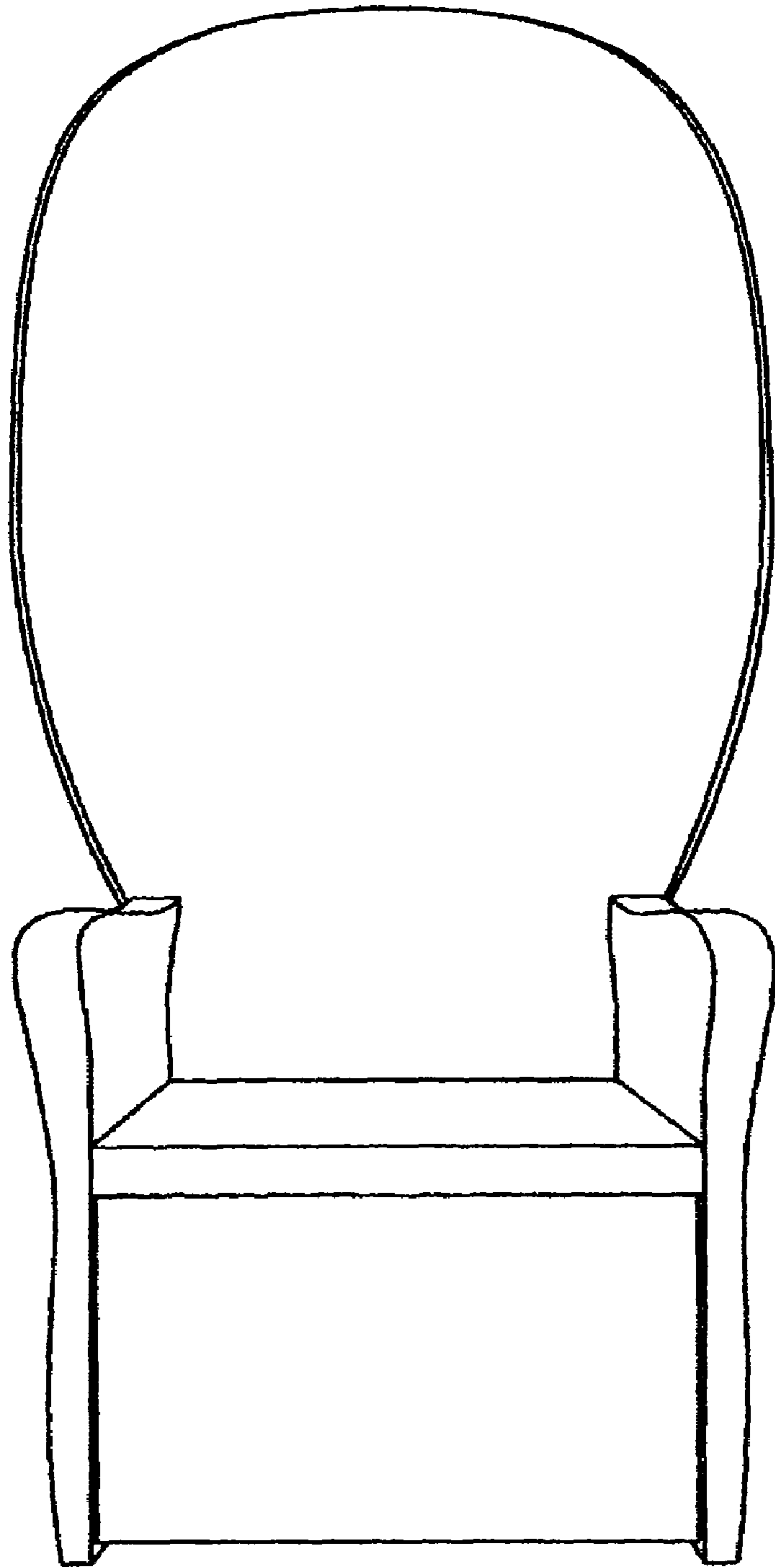


FIGURE 2

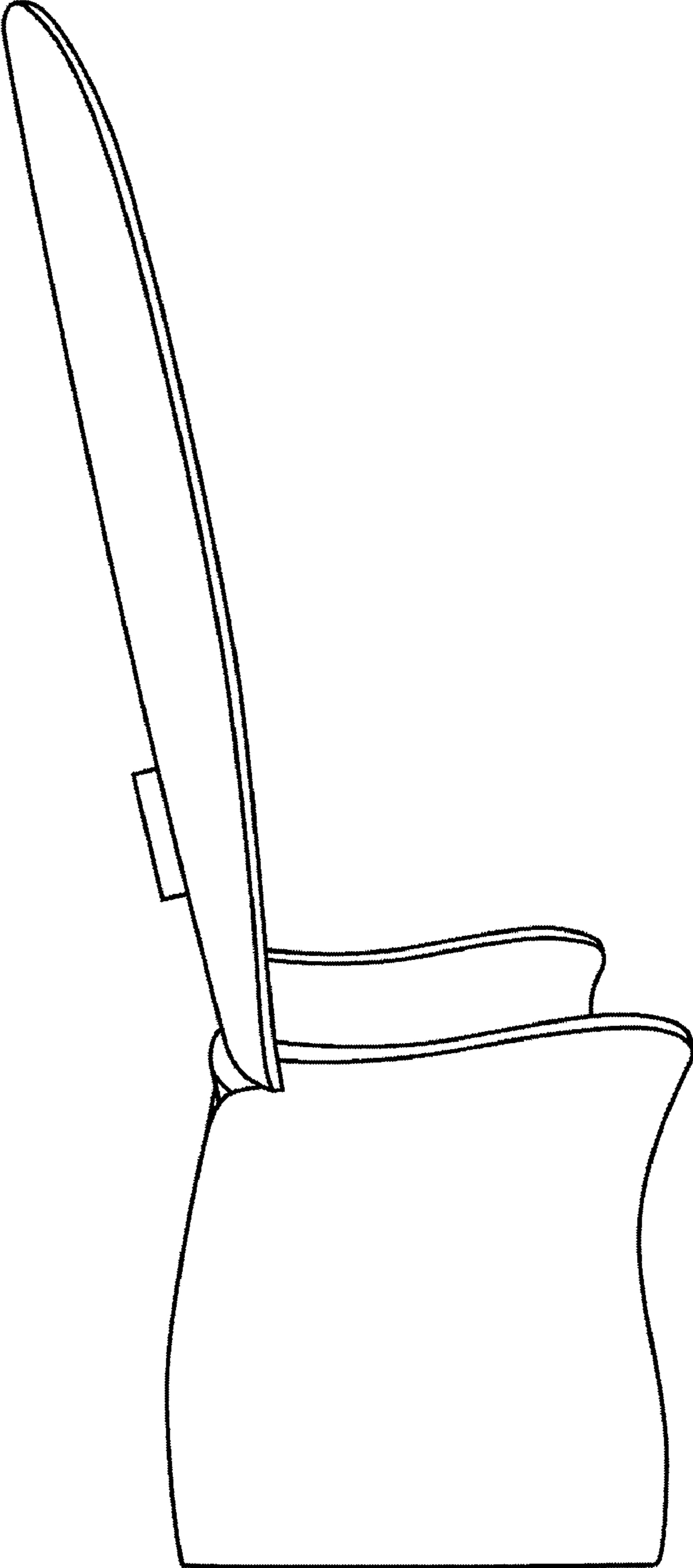


FIGURE 3

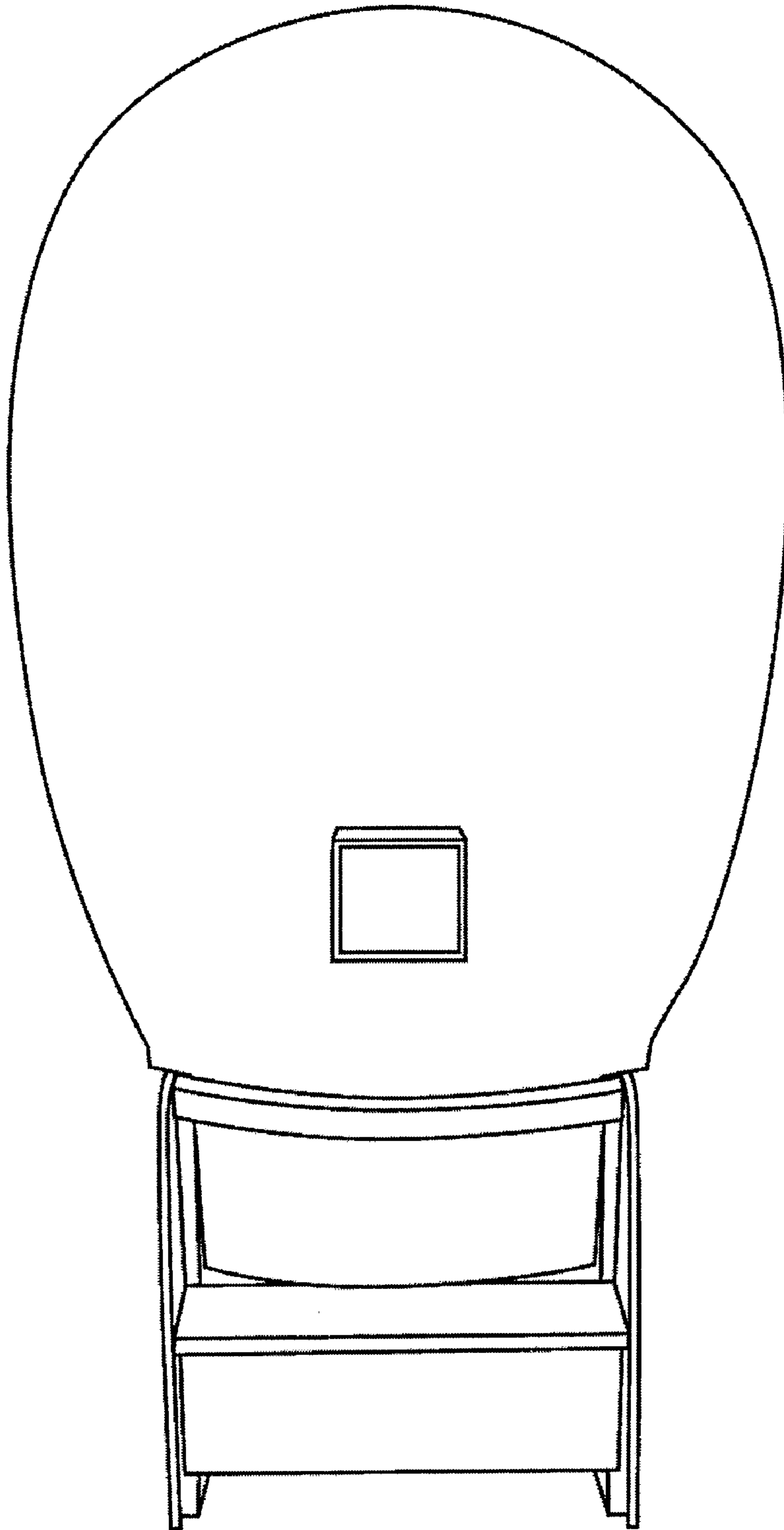


FIGURE 4

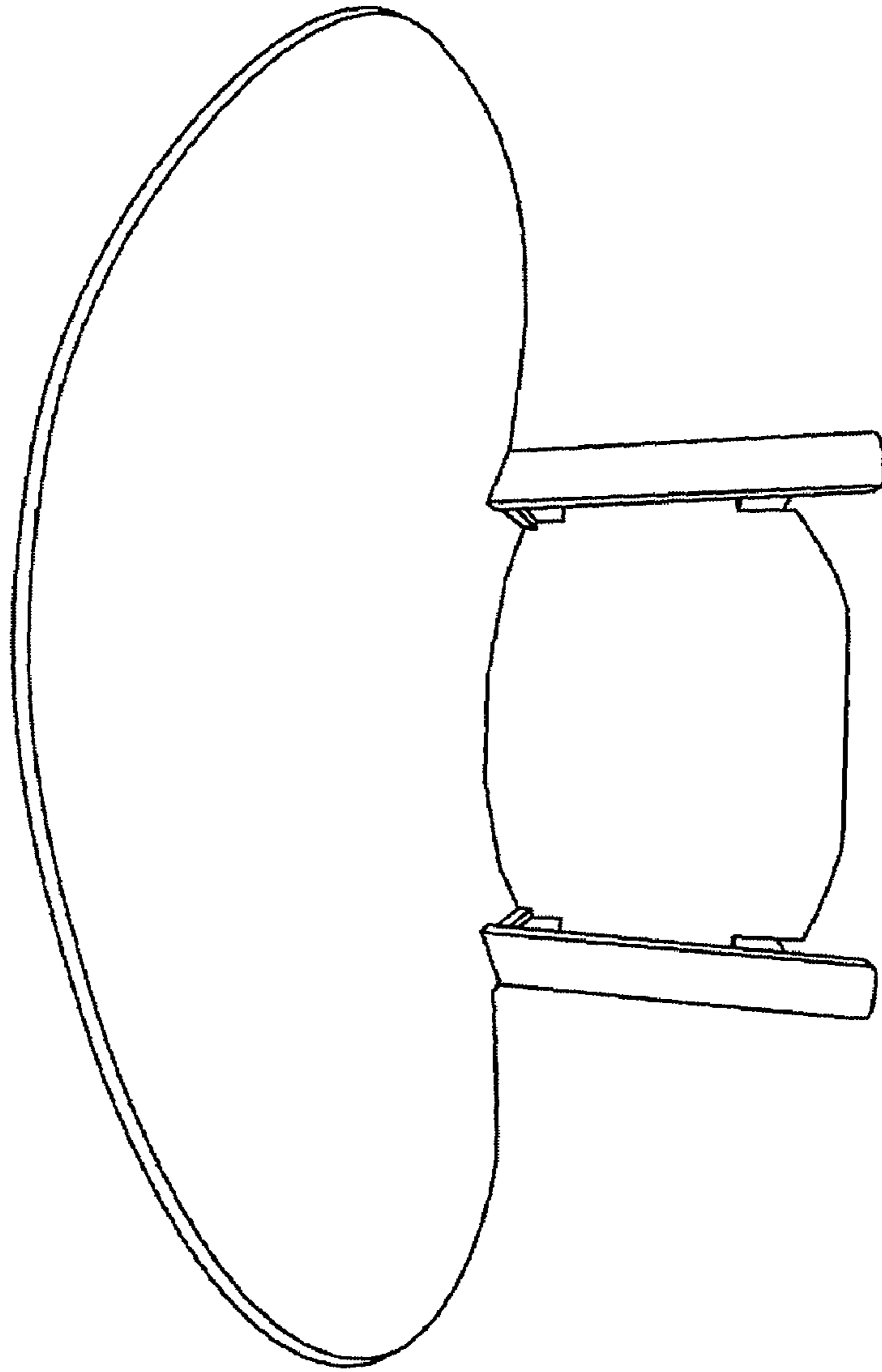


FIGURE 5

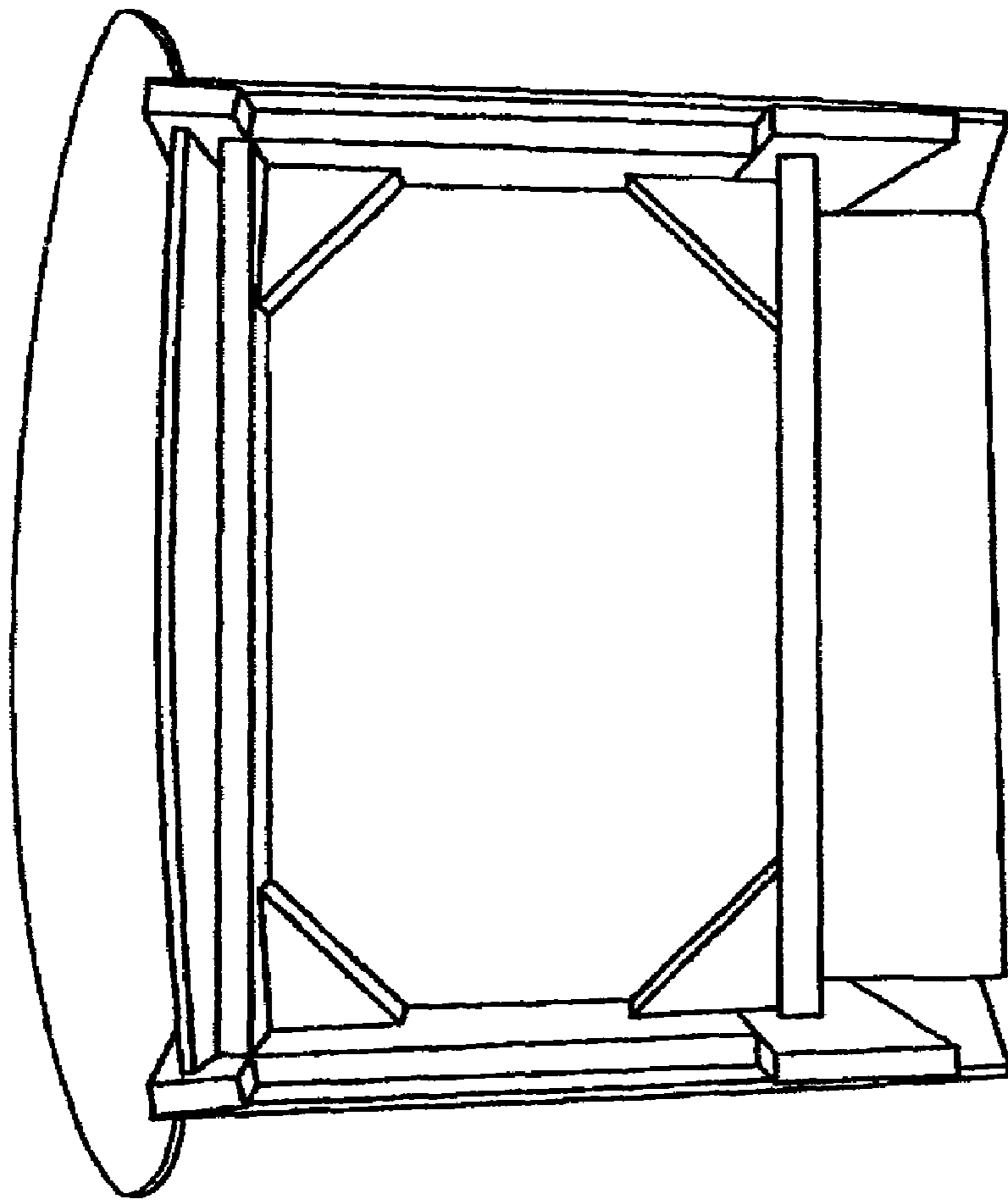


FIGURE 6