

US00D548983S

(12) **United States Design Patent**  
**Krumpe**

(10) **Patent No.:** **US D548,983 S**

(45) **Date of Patent:** **\*\* Aug. 21, 2007**

(54) **ROBE HOOK**

(75) Inventor: **Geraint Krumpe**, Chicago, IL (US)

(73) Assignee: **Liberty Hardware Mfg. Corp.**,  
Winston-Salem, NC (US)

(\*\*) Term: **14 Years**

(21) Appl. No.: **29/262,833**

(22) Filed: **Jul. 12, 2006**

(51) **LOC (8) Cl.** ..... **06-08**

(52) **U.S. Cl.** ..... **D6/323**

(58) **Field of Classification Search** ..... D6/315,  
D6/317, 320, 323, 325, 328; D8/300, 301,  
D8/307, 310, 321, 349, 354, 367, 372, 373;  
211/13.1, 85.3, 86.01, 183; 223/85-98; 248/200,  
248/317, 560

See application file for complete search history.

(56) **References Cited**

**U.S. PATENT DOCUMENTS**

D448,654 S \* 10/2001 Snell ..... D8/367  
D456,150 S \* 4/2002 Moore ..... D6/323  
D457,735 S \* 5/2002 Moore ..... D6/323

D463,730 S \* 10/2002 Snell ..... D8/367  
D496,849 S \* 10/2004 Abdi et al. .... D8/367  
D505,274 S \* 5/2005 Lai ..... D6/323  
D507,961 S \* 8/2005 Goodman et al. .... D8/367

\* cited by examiner

*Primary Examiner*—Stella Reid

*Assistant Examiner*—Shanda C. Hill

(74) *Attorney, Agent, or Firm*—Edgar A. Zarins; Lloyd D. Doigan

(57) **CLAIM**

The ornamental design for a robe hook, as shown and described.

**DESCRIPTION**

FIG. 1 is a first perspective view of a robe hook showing my new design;

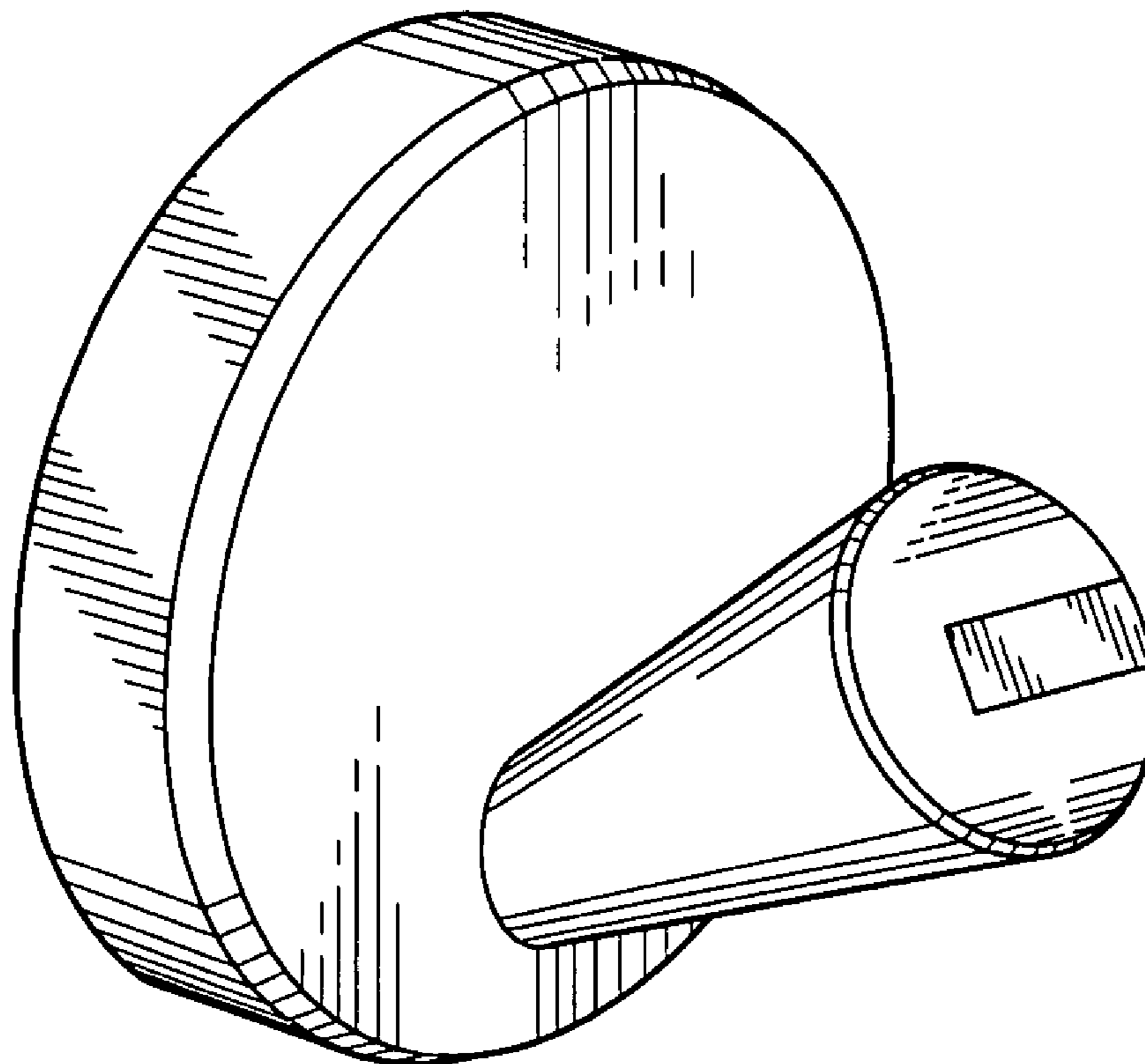
FIG. 2 is a front elevational view thereof;

FIG. 3 is a top plan view thereof;

FIG. 4 is a right side view thereof; and,

FIG. 5 is a left side view thereof.

**1 Claim, 1 Drawing Sheet**



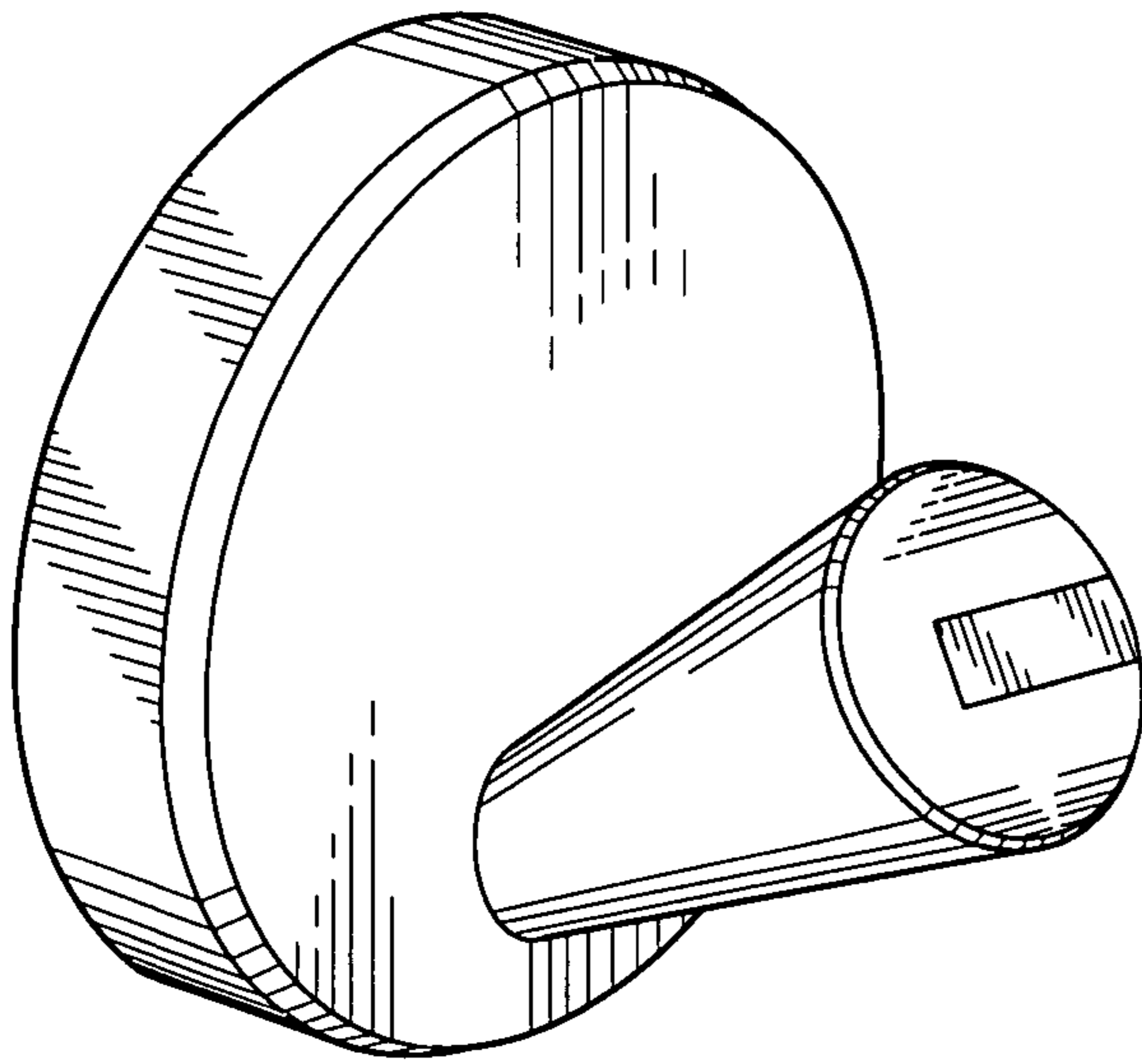


Fig-1

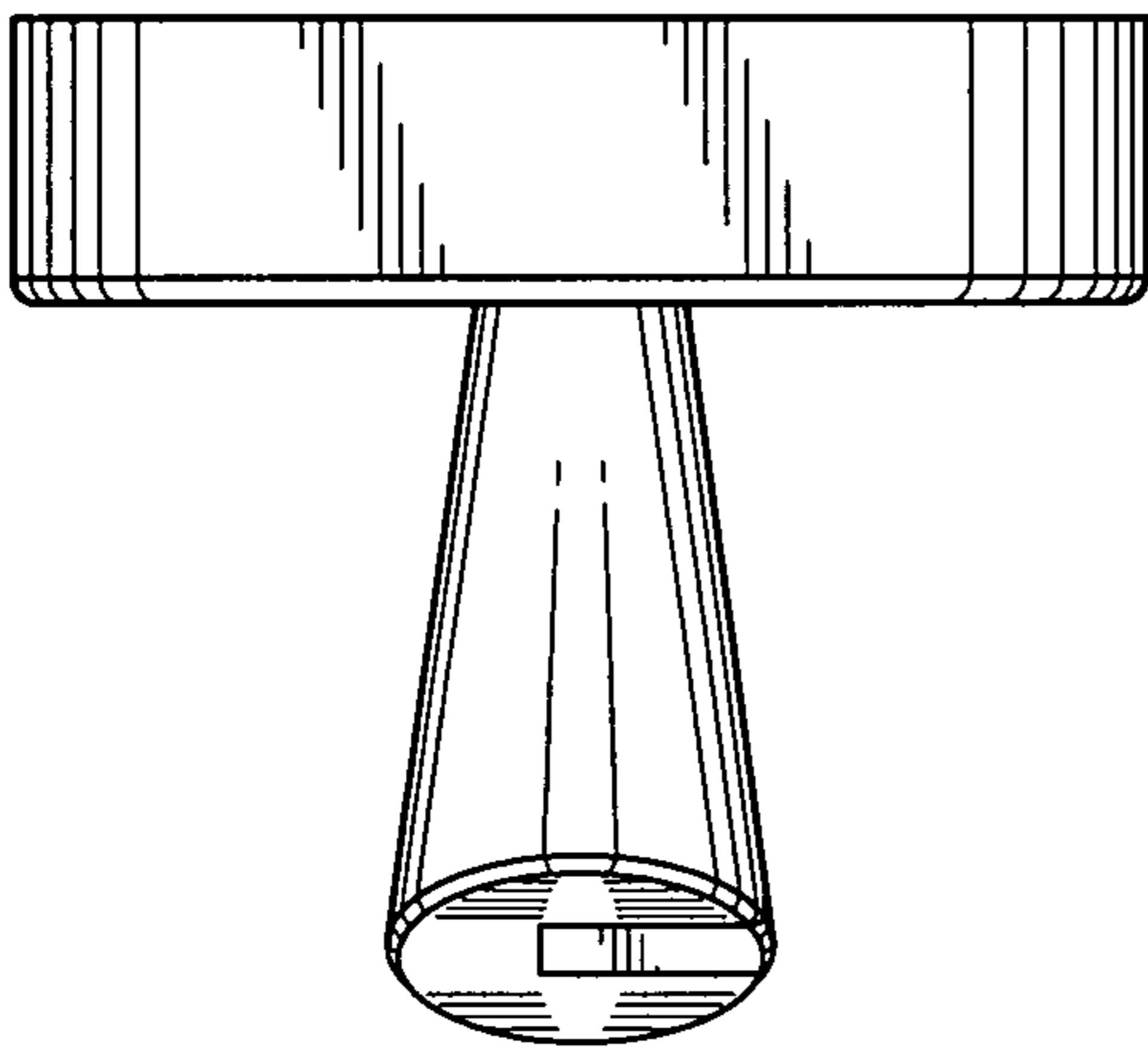


Fig-3

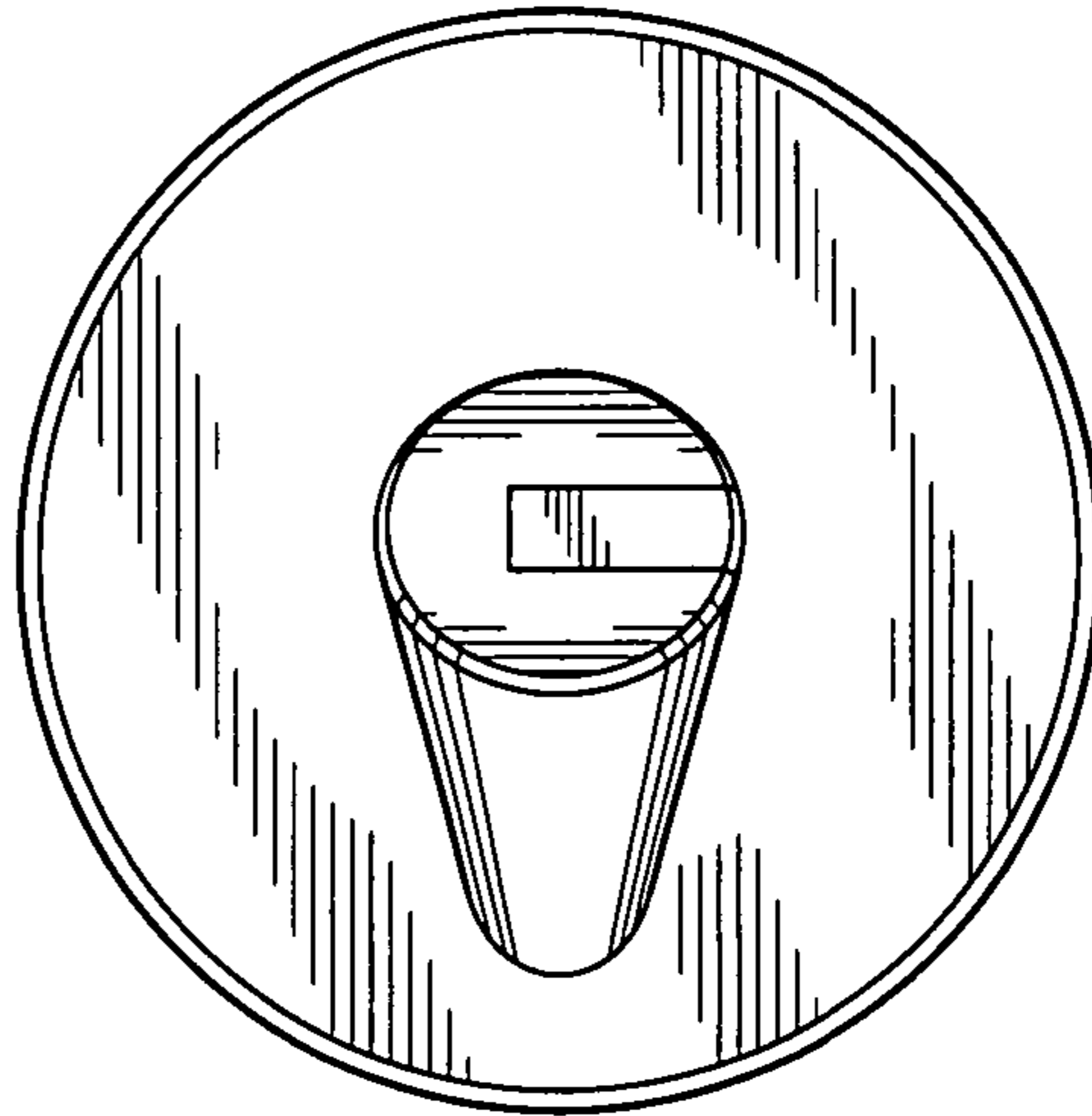


Fig-2

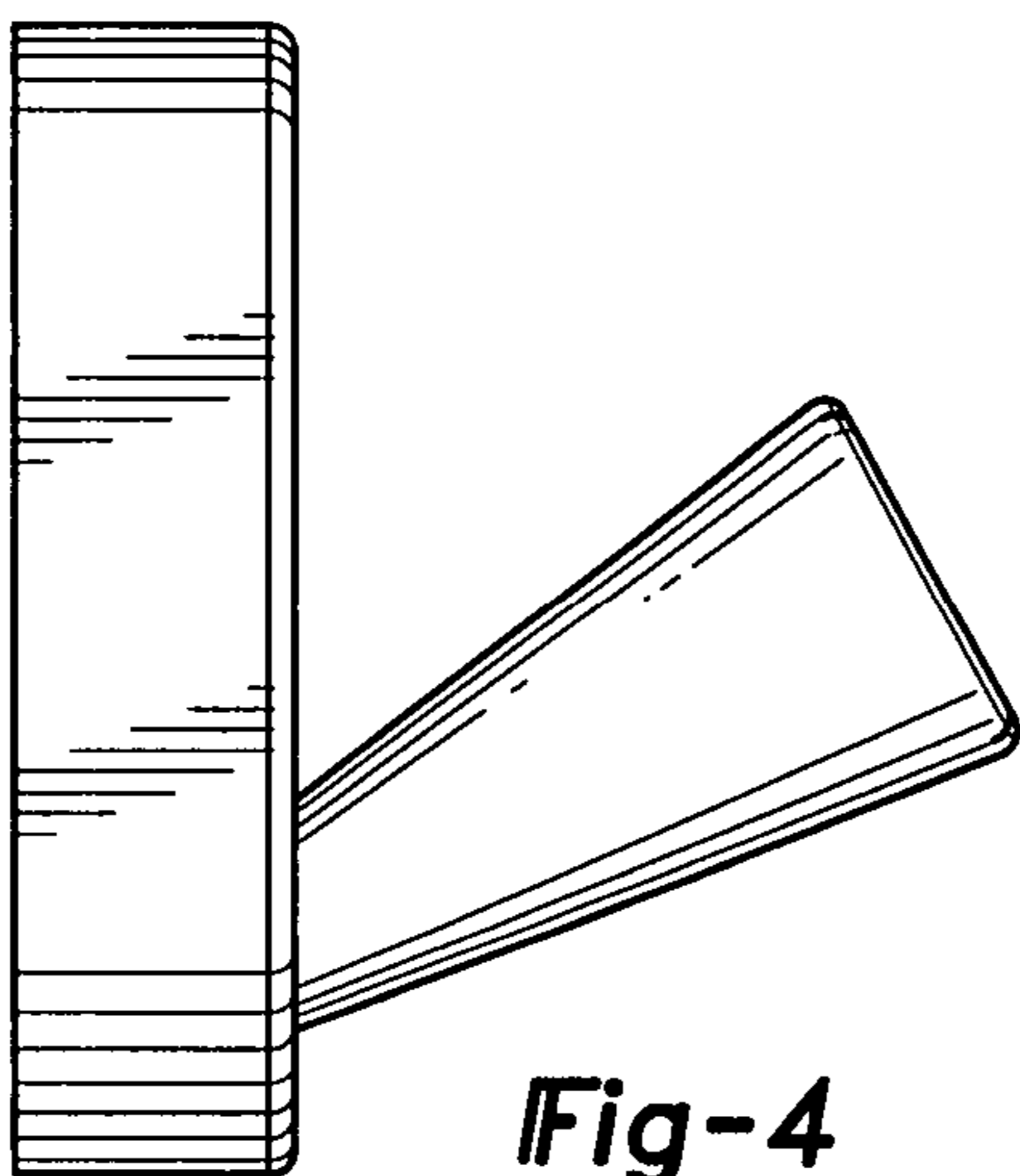


Fig-4

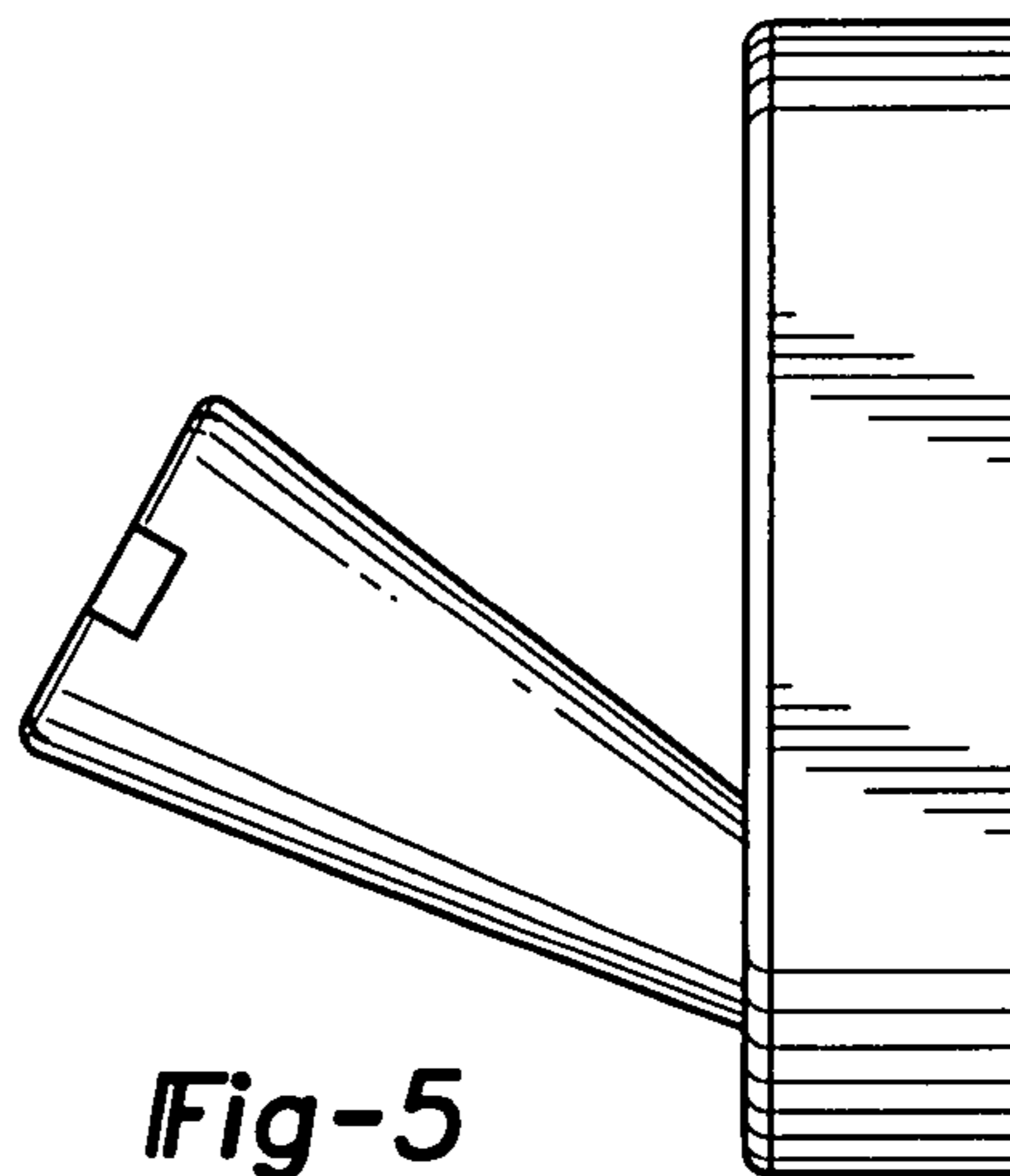


Fig-5