

US00D548980S

(12) **United States Design Patent**
Maddux

(10) **Patent No.:** **US D548,980 S**

(45) **Date of Patent:** **** Aug. 21, 2007**

(54) **HAND WASHING UNIT ATTACHMENT**

D506,899 S * 7/2005 Maddux D7/305

(75) Inventor: **Larry Maddux**, Westminster, CA (US)

* cited by examiner

(73) Assignee: **Cambro Manufacturing Company**,
Huntington Beach, CA (US)

Primary Examiner—Alan P. Douglas

Assistant Examiner—Angela Lee

(74) *Attorney, Agent, or Firm*—George F. Bethel

(**) Term: **14 Years**

(57) **CLAIM**

(21) Appl. No.: **29/223,799**

I claim the ornamental design for a hand washing unit attachment, as shown and described.

(22) Filed: **Feb. 17, 2005**

(51) **LOC (8) Cl.** **06-99**

(52) **U.S. Cl.** **D5/519**

(58) **Field of Classification Search** D6/512-3,
D6/518-9, 522, 524, 542, 545; 4/628, 654,
4/656; 206/389; 211/13.1; 221/282, 283;
222/94, 105, 173; 242/570, 590, 595, 596,
242/598; 312/34.1, 34.8

See application file for complete search history.

DESCRIPTION

FIG. 1 shows a perspective view of the hand washing unit attachment from the right hand frontal side.

FIG. 2 shows a front elevation view of the hand washing unit attachment.

FIG. 3 shows a right hand side elevation view of the hand washing unit attachment.

FIG. 4 shows a top view of the hand washing unit attachment.

FIG. 5 shows a left hand side elevation view of the hand washing unit attachment.

FIG. 6 shows a rear elevation view of the hand washing unit attachment; and,

FIG. 7 shows a bottom plan view of the hand washing unit attachment.

The broken line showing of a soap dispenser and roll of towels is included for the purpose of illustrating the hand washing unit attachment in use and forms no part of the claimed design.

(56) **References Cited**

U.S. PATENT DOCUMENTS

1,082,249	A	*	12/1913	Watrous	222/181.2
D267,959	S	*	2/1983	Cheung	D19/78
D274,393	S	*	6/1984	Sinchok	D6/525
D278,295	S	*	4/1985	Thompson	D6/518
D333,063	S	*	2/1993	Podesta Burke	D6/545
D343,974	S	*	2/1994	Sz-Hsing	D6/524
D365,369	S	*	12/1995	Koch	D19/89
D379,279	S	*	5/1997	Brandenburg et al.	D6/519
D424,852	S	*	5/2000	Winter	D6/518
D448,224	S	*	9/2001	Voyer	D6/519
D474,359	S	*	5/2003	Bennett	D6/518
D506,634	S	*	6/2005	Maddux	D7/305

1 Claim, 4 Drawing Sheets

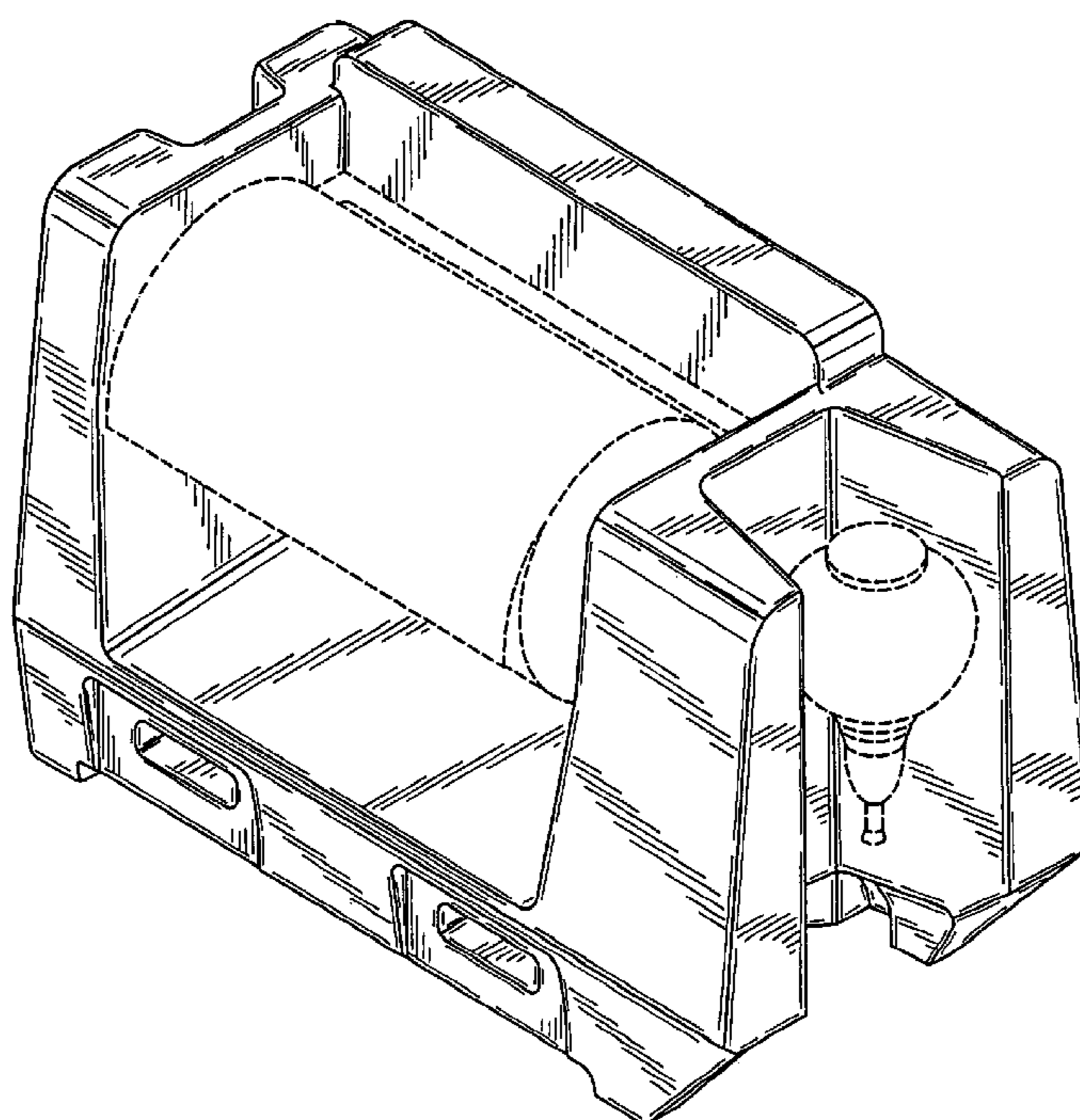
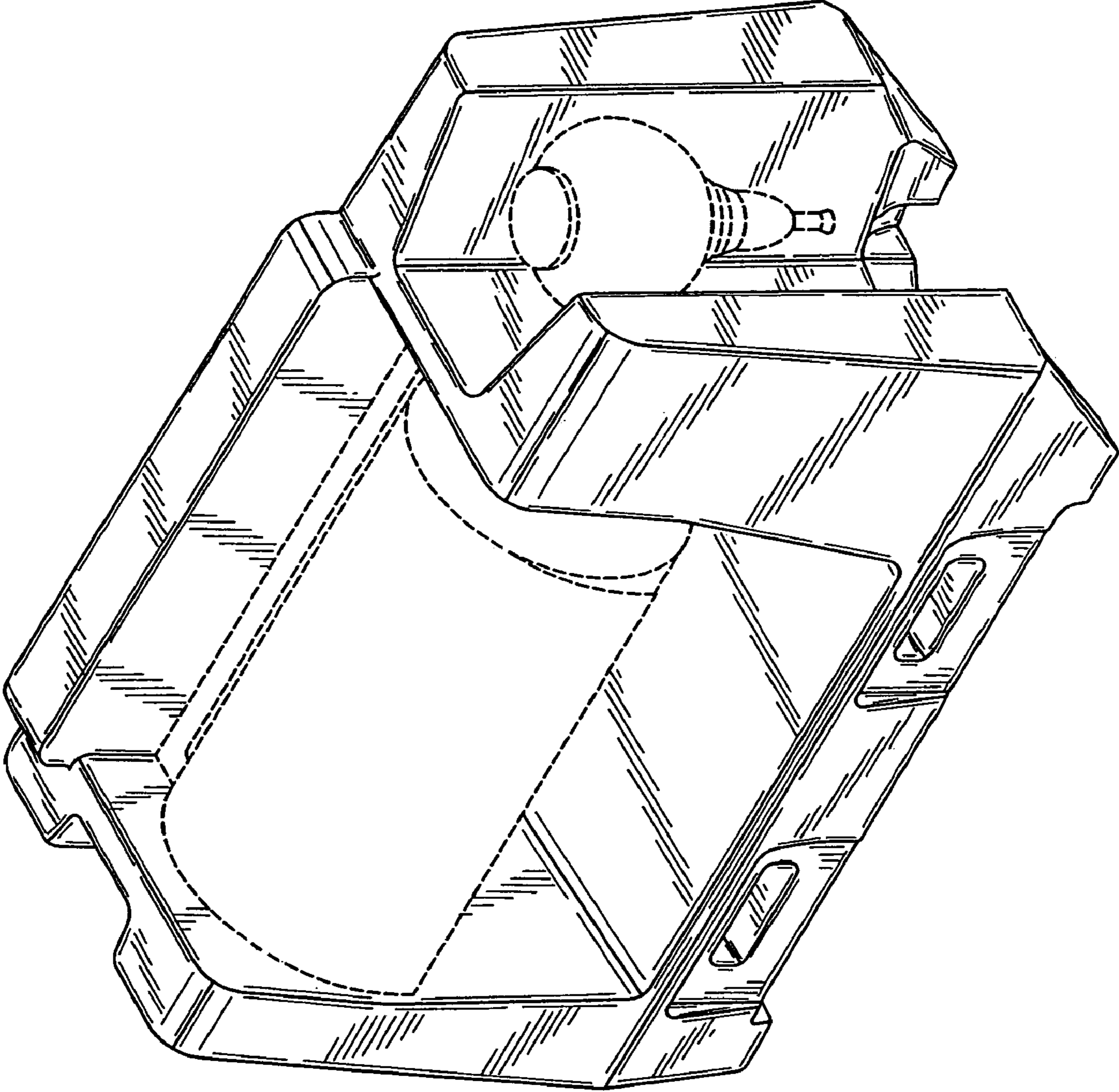


FIG. 1



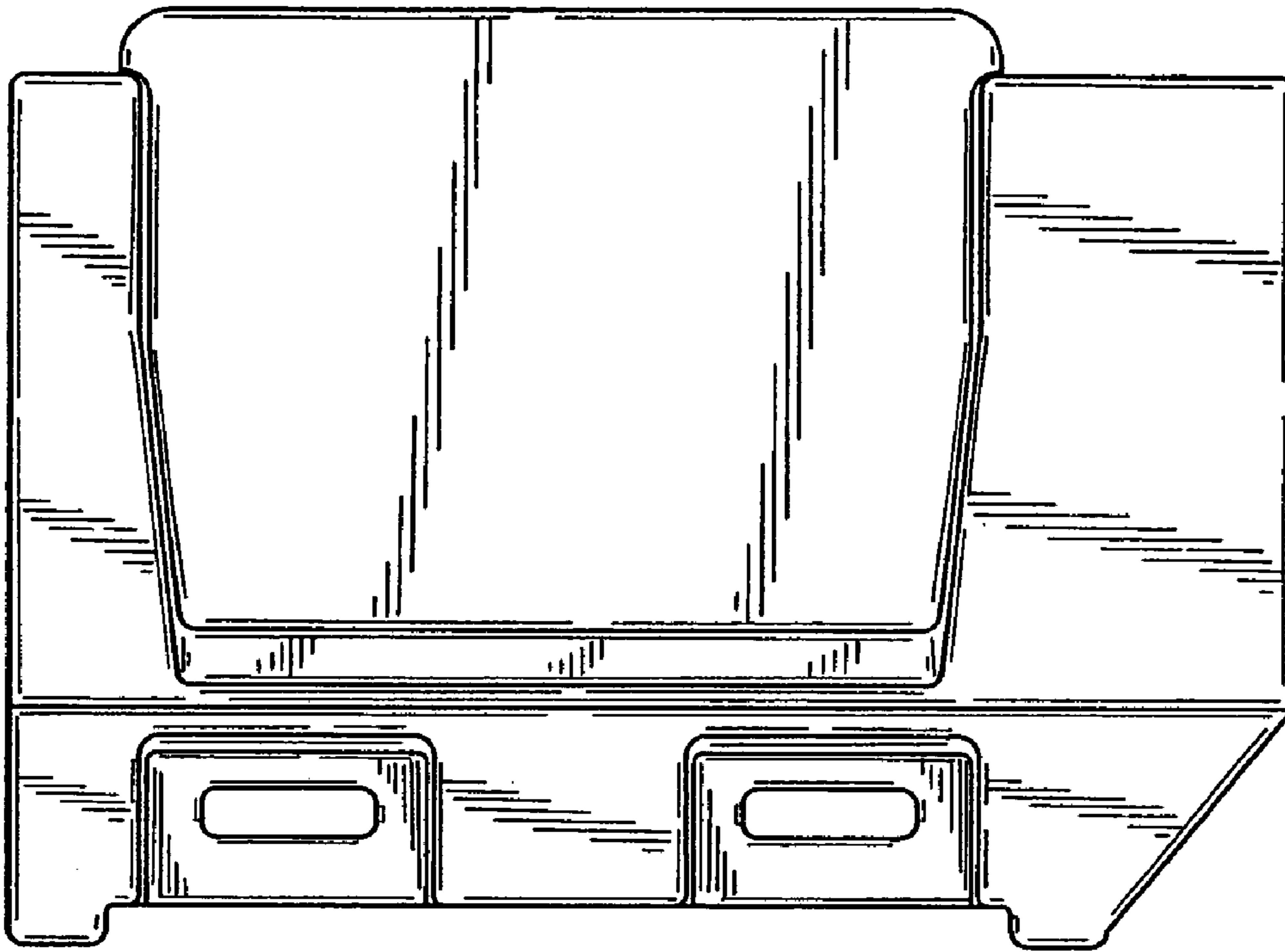


FIG. 2

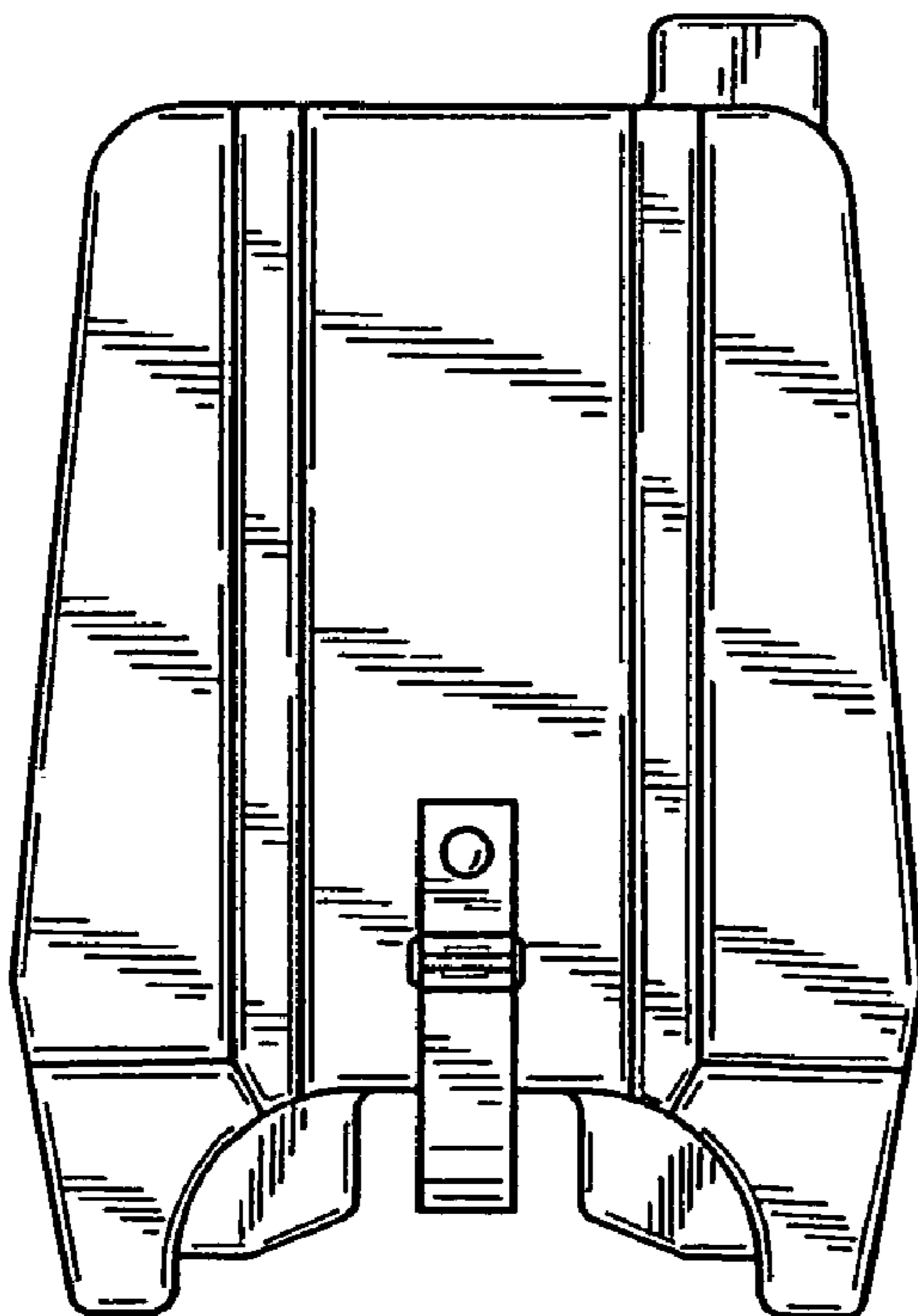


FIG. 3

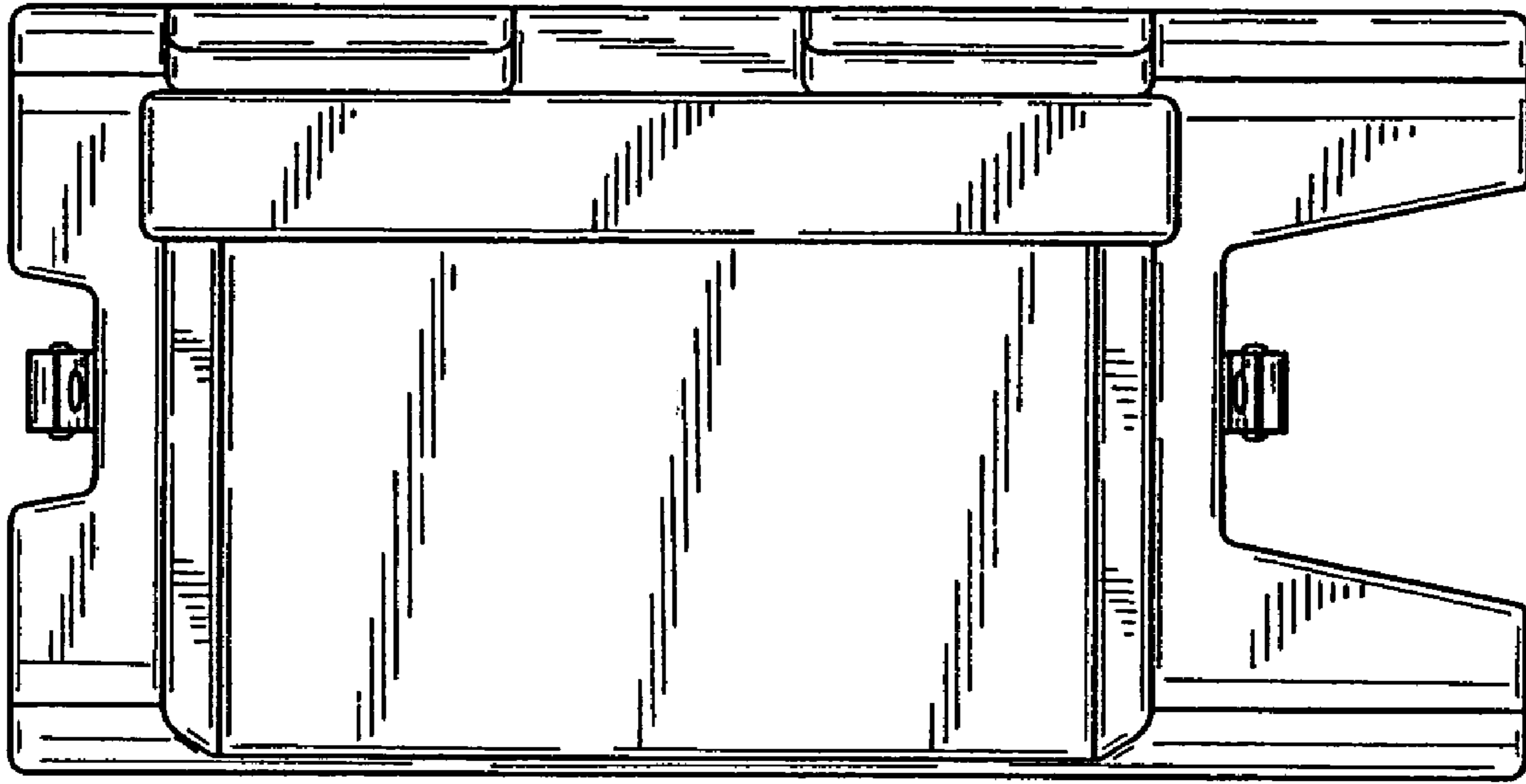


FIG. 4

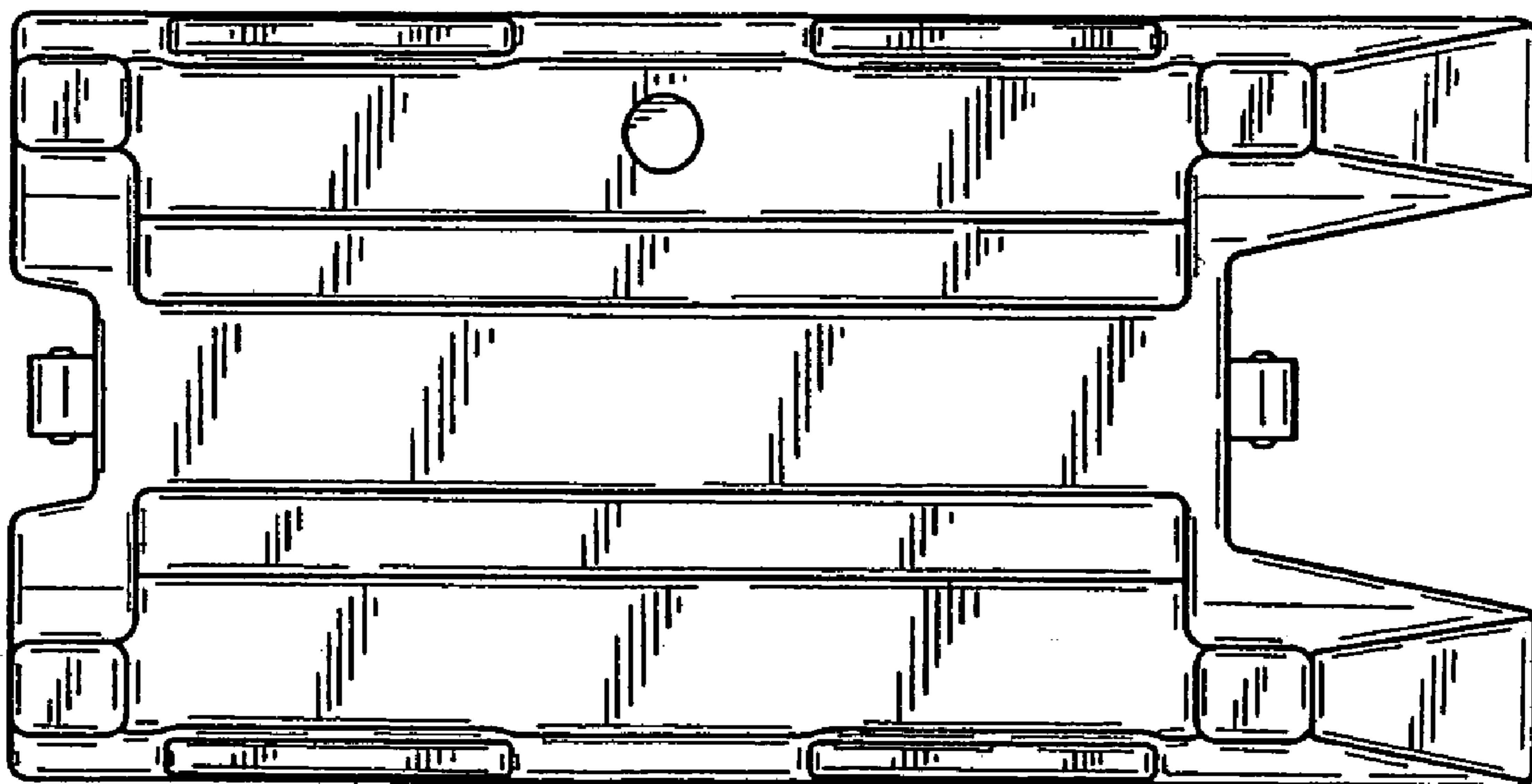


FIG. 7

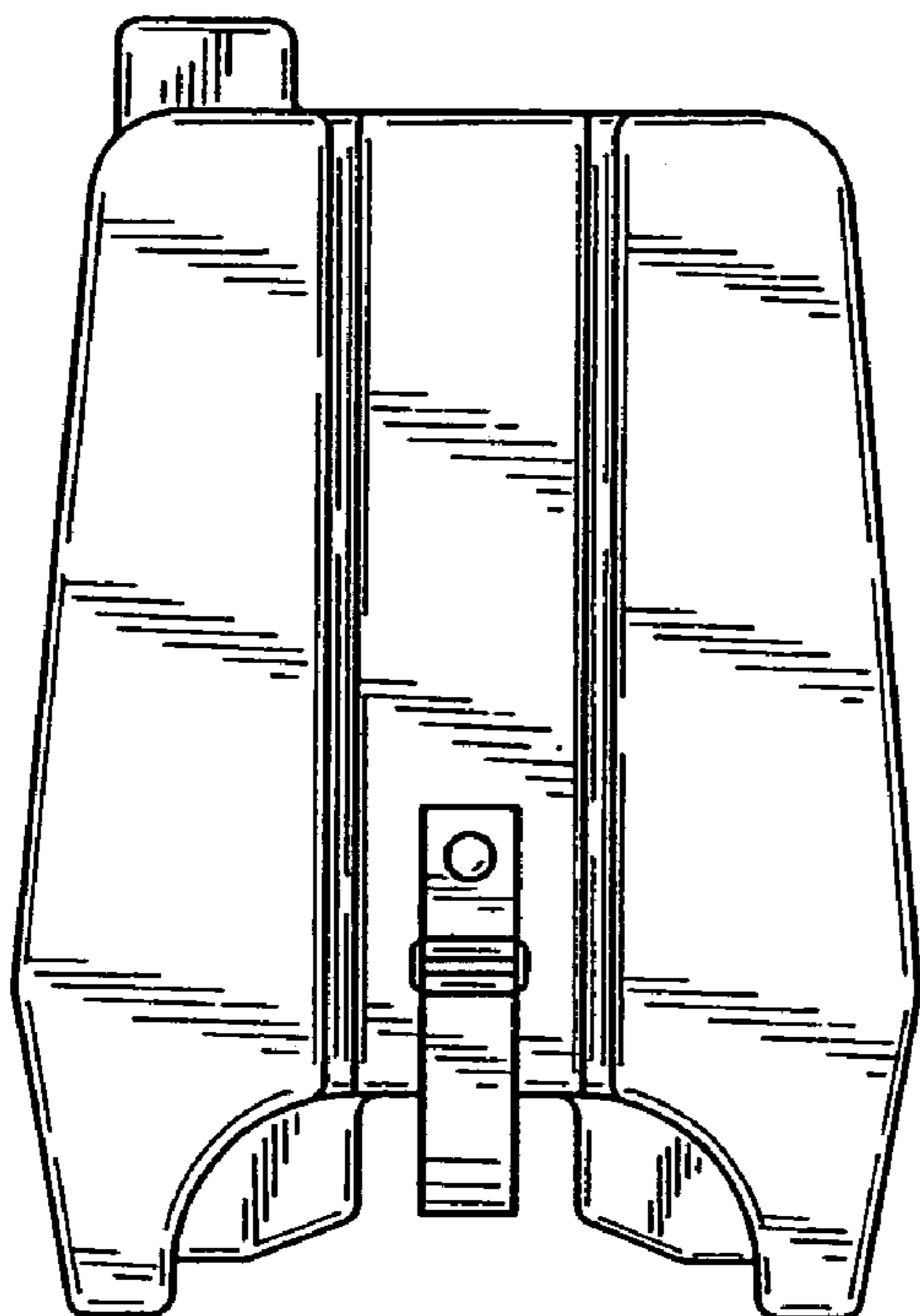


FIG. 5

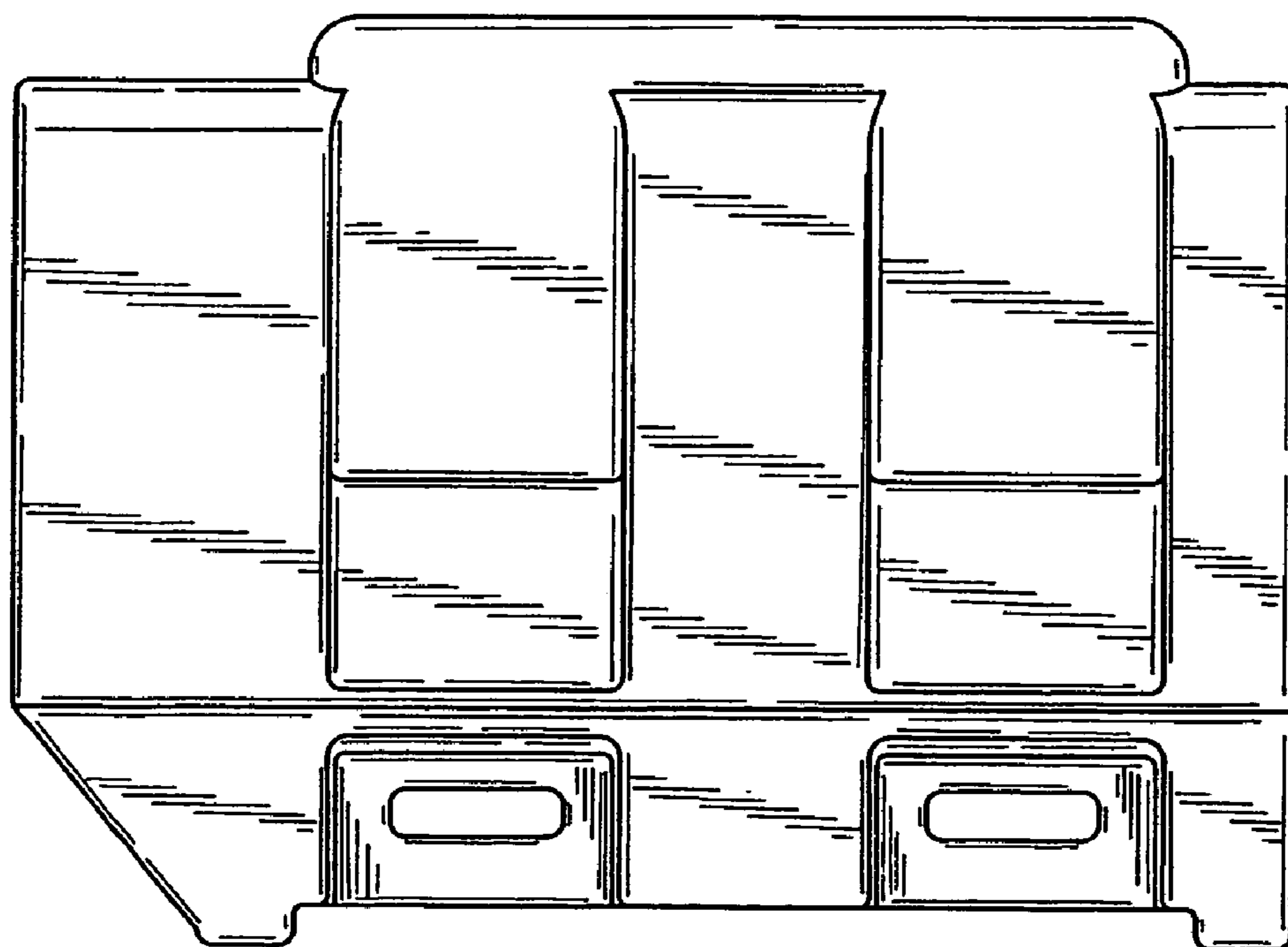


FIG. 6