



US00D548978S

(12) **United States Design Patent** (10) **Patent No.:** **US D548,978 S**  
**Vu** (45) **Date of Patent:** **\*\* Aug. 21, 2007**

(54) **HOLDER FOR AN ELECTRIC TOOTHBRUSH AND A CHARGER UNIT**

D358,801 S 5/1995 Vos  
D363,605 S 10/1995 Kou et al.  
D416,536 S \* 11/1999 Ross et al. .... D13/107  
D470,136 S \* 2/2003 Chin ..... D14/253

(75) Inventor: **Duy Phong Vu**, Frankfurt am Main (DE)

\* cited by examiner

(73) Assignee: **Braun GmbH**, Kronberg (DE)

*Primary Examiner*—Alan P. Douglas  
*Assistant Examiner*—Lavone D. Tabor

(\*\*) Term: **14 Years**

(74) *Attorney, Agent, or Firm*—Sonja Klinger; George H. Leal

(21) Appl. No.: **29/241,587**

(22) Filed: **Oct. 28, 2005**

(57) **CLAIM**

(30) **Foreign Application Priority Data**

The ornamental design for a holder for an electric toothbrush and a charger unit, as shown and described.

Apr. 28, 2005 (DE) ..... 4 05 02 279

**DESCRIPTION**

(51) **LOC (8) Cl.** ..... **04-99**

FIG. 1 is a perspective view of a holder for an electric toothbrush and a charger unit from the top, front and left side, showing my new design;

(52) **U.S. Cl.** ..... **D4/199; D6/528**

FIG. 2 is a front view thereof;

(58) **Field of Classification Search** ..... D4/199;  
D6/528, 537; D13/107, 108; 211/65; 248/110,  
248/111, 176.1, 688; 320/114, 115

FIG. 3 is a bottom plan view thereof;

See application file for complete search history.

FIG. 4 is a right side view thereof, the left side view being a mirror image thereof;

(56) **References Cited**

FIG. 5 is a top plan view thereof; and,

**U.S. PATENT DOCUMENTS**

FIG. 6 is a rear view thereof.

D201,346 S \* 6/1965 Perl ..... D4/199  
D221,825 S \* 9/1971 Cook ..... D4/199  
D283,374 S \* 4/1986 Cheuk-Yiu ..... D4/101

**1 Claim, 3 Drawing Sheets**

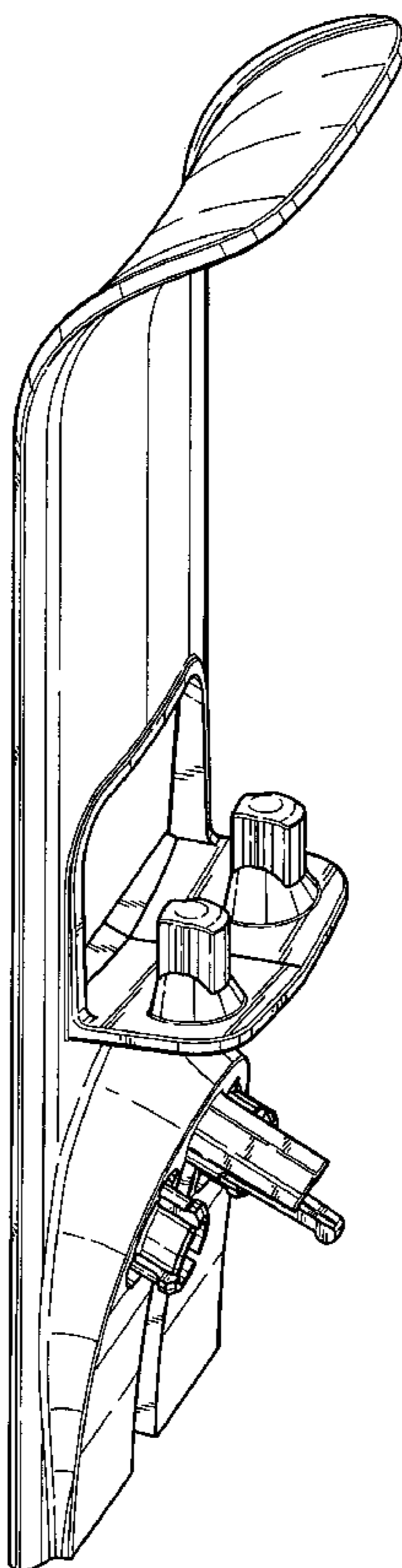


FIG. 1

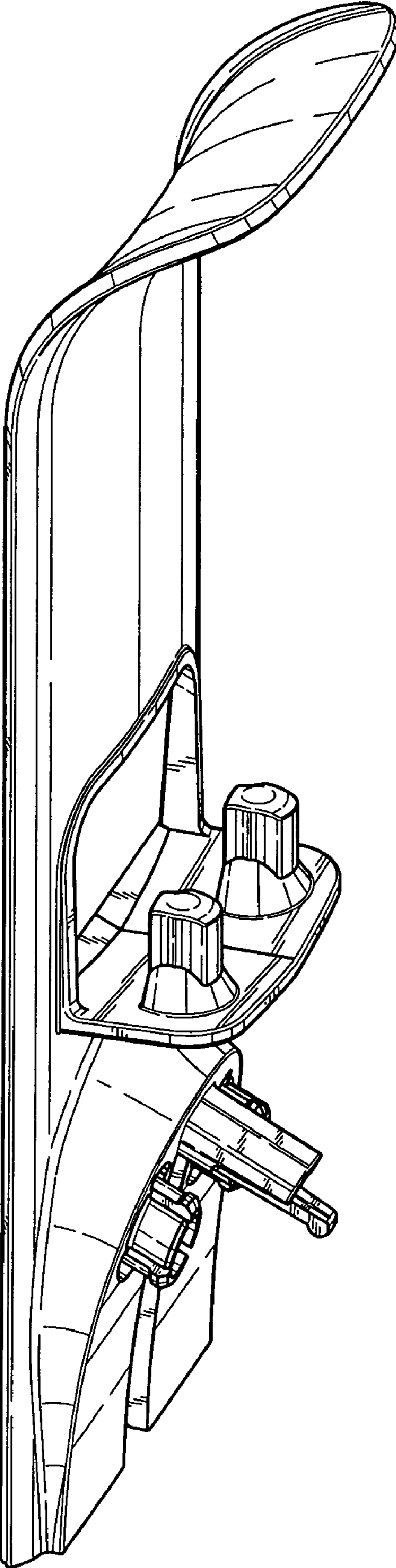


FIG. 2

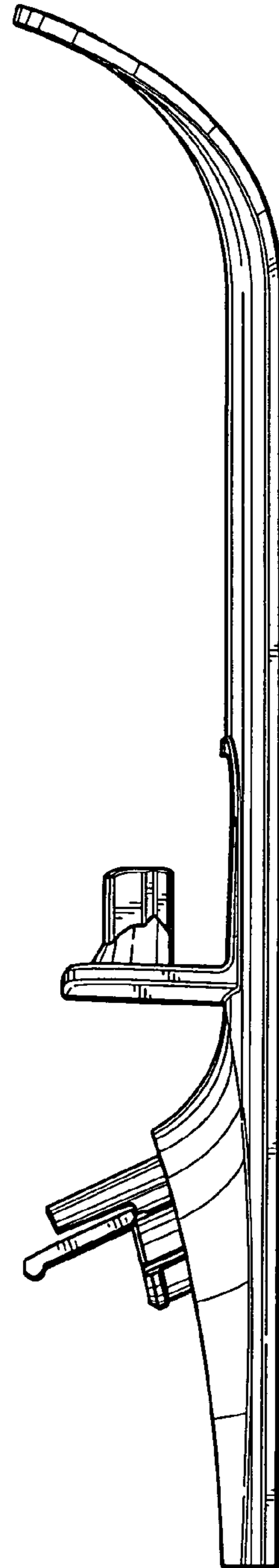
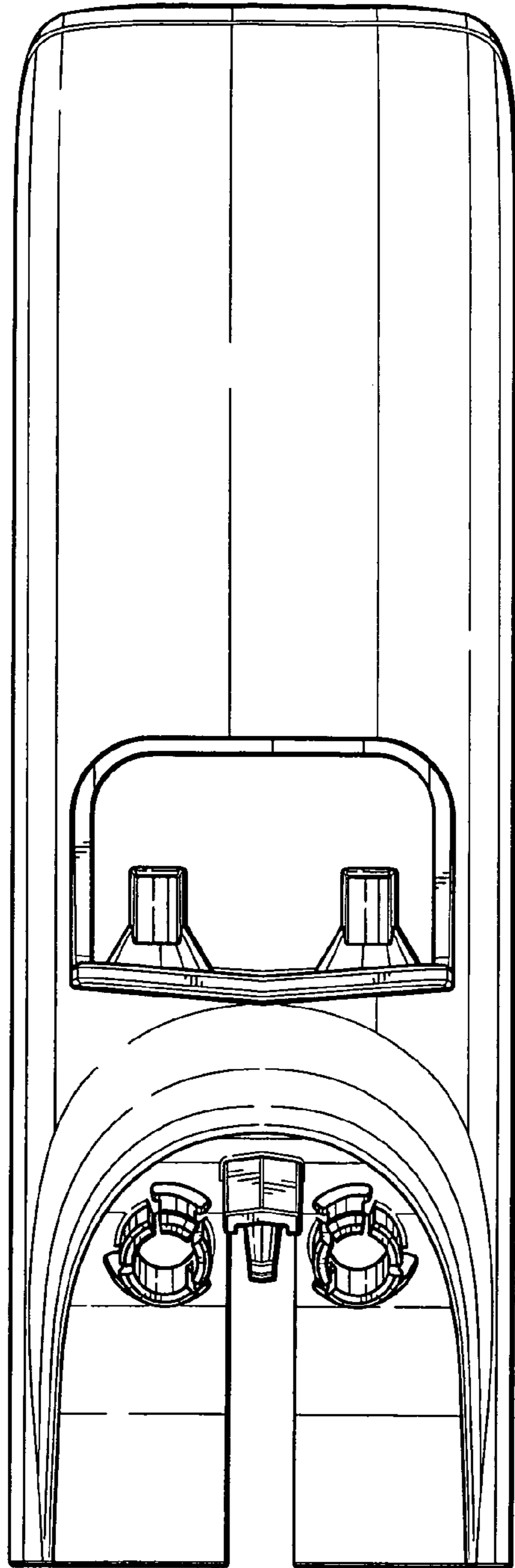


FIG. 4

FIG. 3

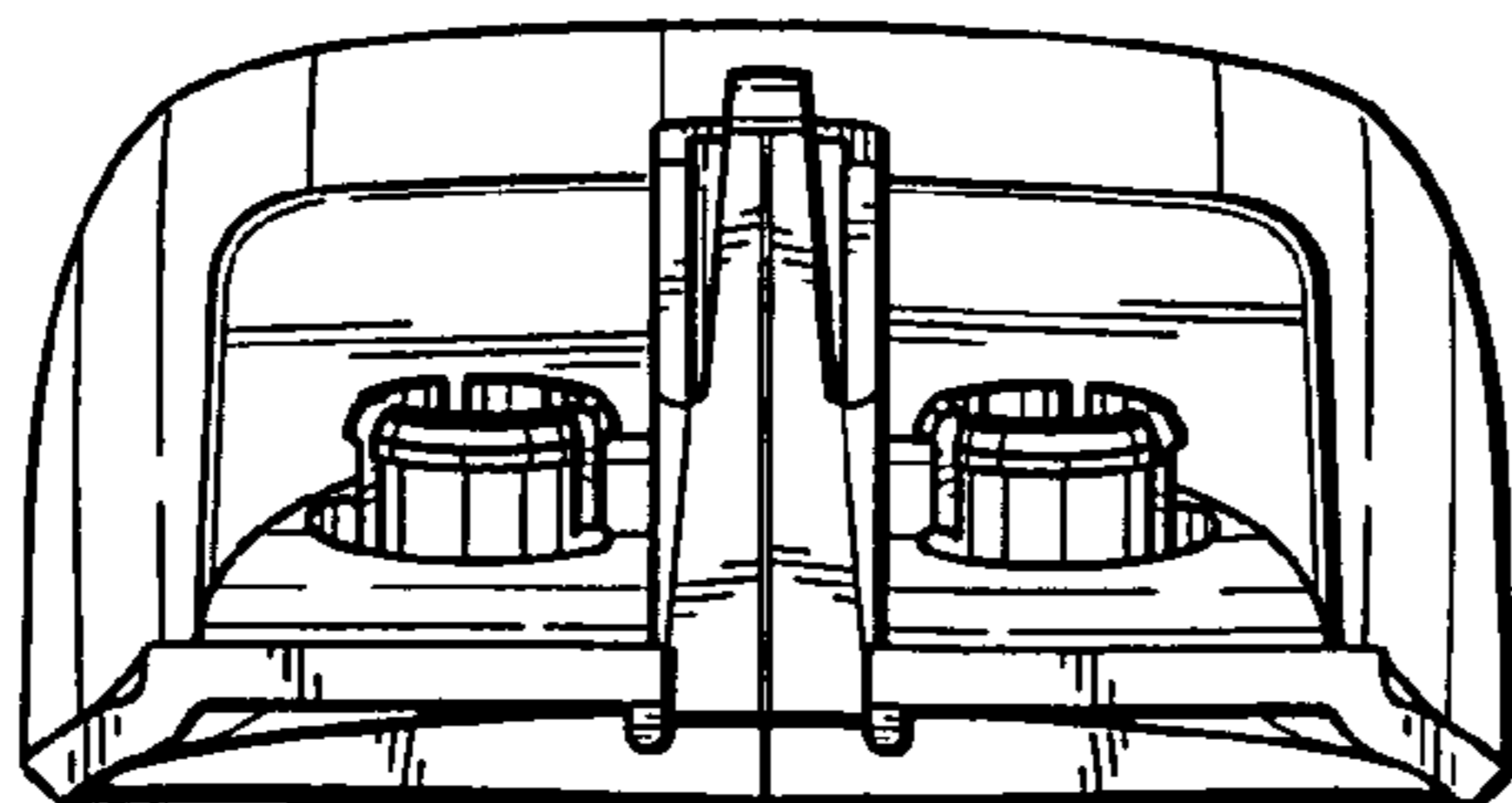


FIG. 5

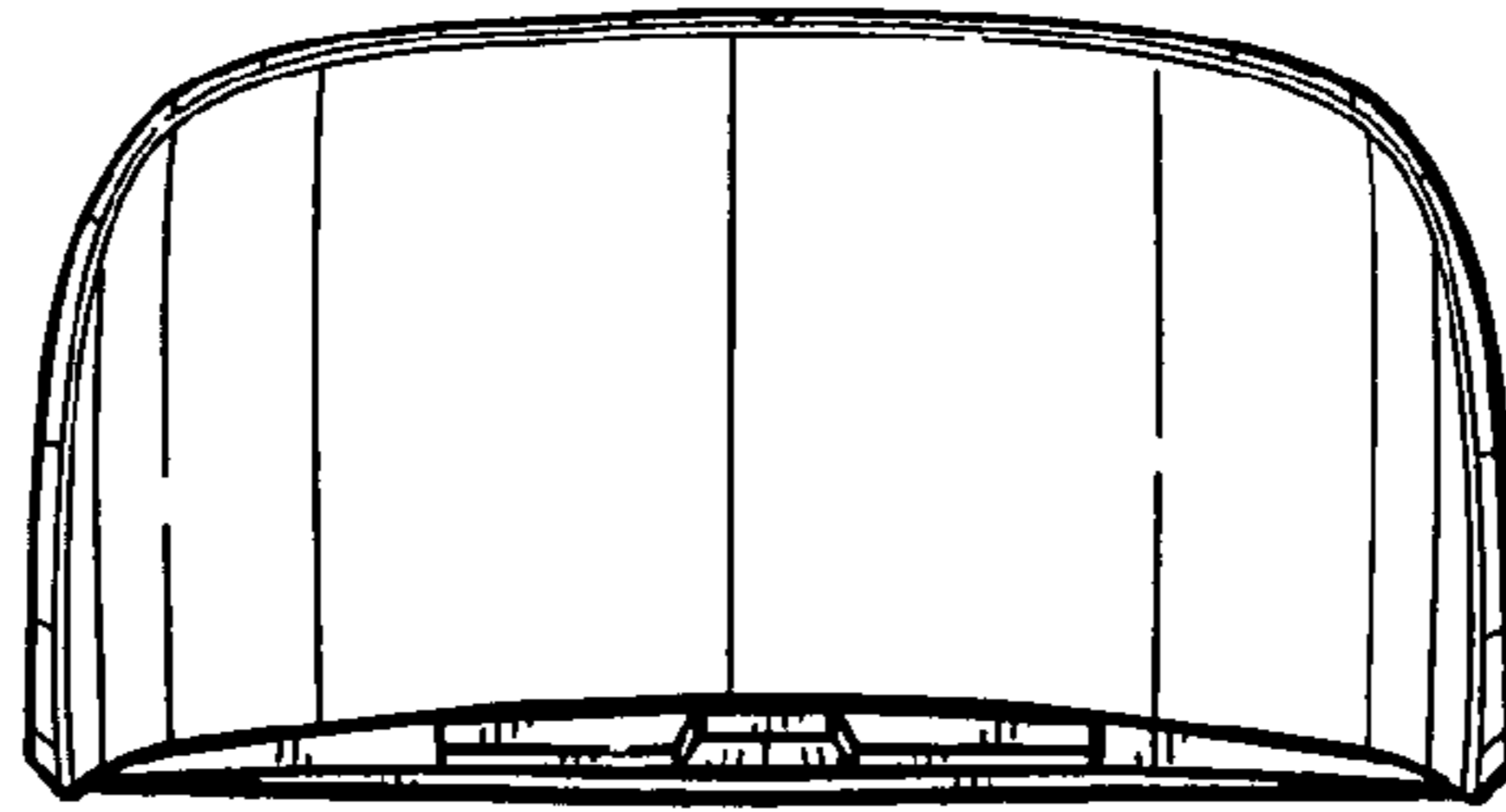


FIG. 6

