



US00D548977S

(12) **United States Design Patent**
Hay

(10) **Patent No.:** **US D548,977 S**
(45) **Date of Patent:** **** Aug. 21, 2007**

(54) **CLEANING IMPLEMENT**

(75) Inventor: **Christopher James Mccaughan Hay**,
Causeway Bay (HK)

(73) Assignee: **Hayco Manufacturing Limited**,
Causeway Bay (HK)

(**) Term: **14 Years**

(21) Appl. No.: **29/200,399**

(22) Filed: **Feb. 27, 2004**

(51) **LOC (8) Cl.** **04-01**

(52) **U.S. Cl.** **D4/138; D4/135**

(58) **Field of Classification Search** **D4/132,**
D4/135, 138, 199; 15/143.1, 159.1, 160,
15/168, 170, 171, 175, 191.1, 192-196
See application file for complete search history.

(56) **References Cited**

U.S. PATENT DOCUMENTS

1,680,512 A * 8/1928 Goeller 15/171

(Continued)

OTHER PUBLICATIONS

Hayco Manufacturing Ltd., Hong Kong, © 2002, Catalog
Page—Household Cleaning Products, Double Grips Brushes, p.
HC-1.*

Primary Examiner—Alan P. Douglas

Assistant Examiner—Lavone D. Tabor

(74) *Attorney, Agent, or Firm*—Buchanan Ingersoll &
Rooney PC

(57) **CLAIM**

The ornamental design for a “cleaning implement,” as
shown and described.

DESCRIPTION

FIG. 1 is a perspective view showing a first embodiment of
a “cleaning implement” incorporating the design;

FIG. 2 is a front view thereof;

FIG. 3 is a rear view thereof;

FIG. 4 is a side view thereof;

FIG. 5 is another side view thereof;

FIG. 6 is a top view thereof;

FIG. 7 is a bottom view thereof;

FIG. 8 is a perspective view showing a second embodiment
of a “cleaning implement” incorporating the design;

FIG. 9 is a front view of the cleaning implement shown in
FIG. 8;

FIG. 10 is a rear view of the cleaning implement shown in
FIG. 8;

FIG. 11 is a side view of the cleaning implement shown in
FIG. 8;

FIG. 12 is another side view of the cleaning implement
shown in FIG. 8;

FIG. 13 is a top view of the cleaning implement shown in
FIG. 8;

FIG. 14 is a bottom view of the cleaning implement shown
in FIG. 8;

FIG. 15 is a perspective view showing a third embodiment
of a “cleaning implement” incorporating the design;

FIG. 16 is a front view of the cleaning implement shown in
FIG. 15;

FIG. 17 is a rear view of the cleaning implement shown in
FIG. 15;

FIG. 18 is a side view of the cleaning implement shown in
FIG. 15;

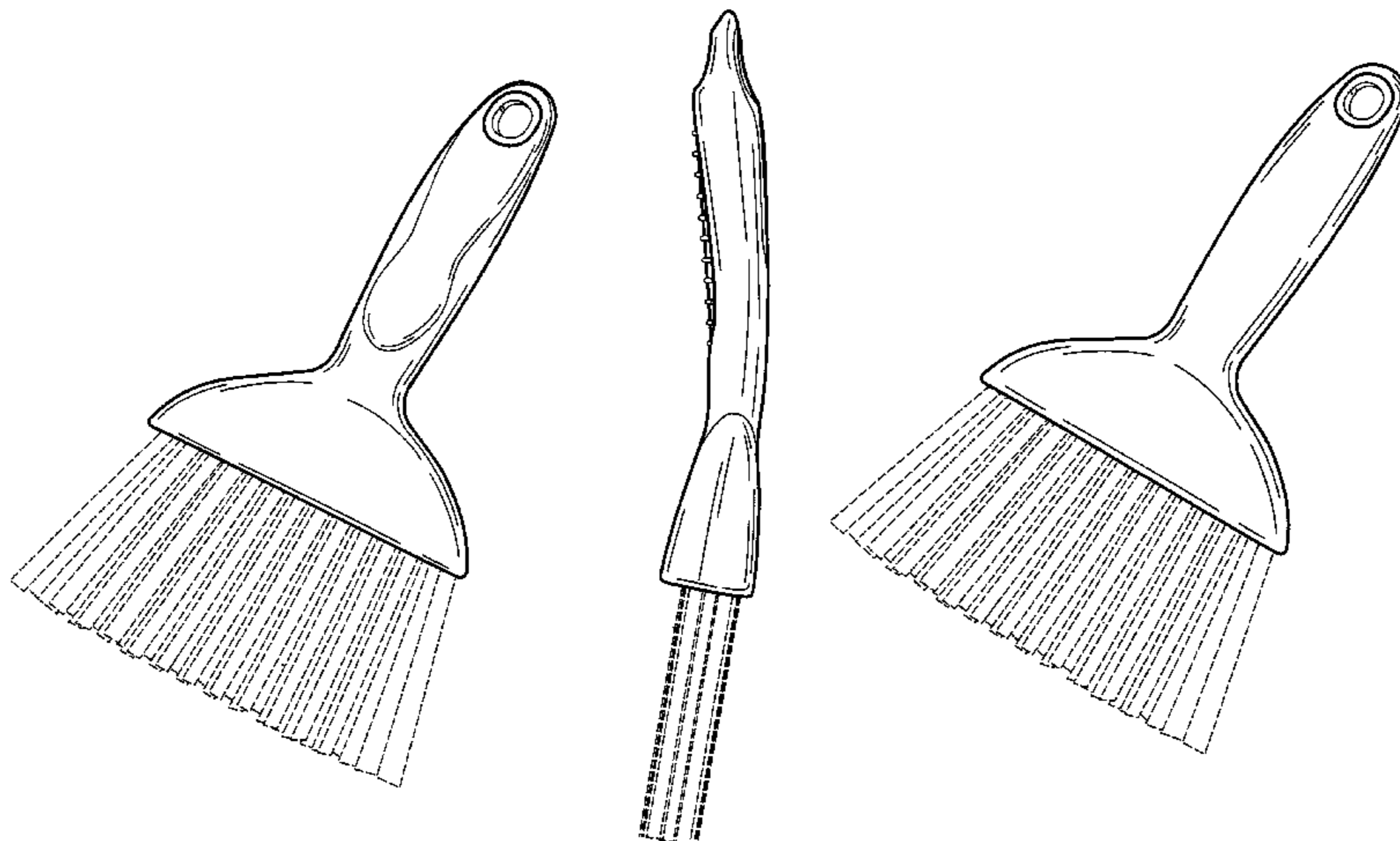
FIG. 19 is another side view of the cleaning implement
shown in FIG. 15;

FIG. 20 is a top view of the cleaning implement shown in
FIG. 15; and,

FIG. 21 is a bottom view of the cleaning implement shown
in FIG. 15.

The broken line showing of bristles is included for the
purpose of illustrating portions of the article that form no
part of the claimed design.

1 Claim, 21 Drawing Sheets



US D548,977 S

Page 2

U.S. PATENT DOCUMENTS

D101,017 S	*	8/1936	Waters	D4/135	
D145,887 S	*	11/1946	Fox	D32/74	* cited by examiner
D468,110 S	*	1/2003	Libman et al.	D4/138	
D492,489 S	*	7/2004	Hay et al.	D4/116	



FIG:1

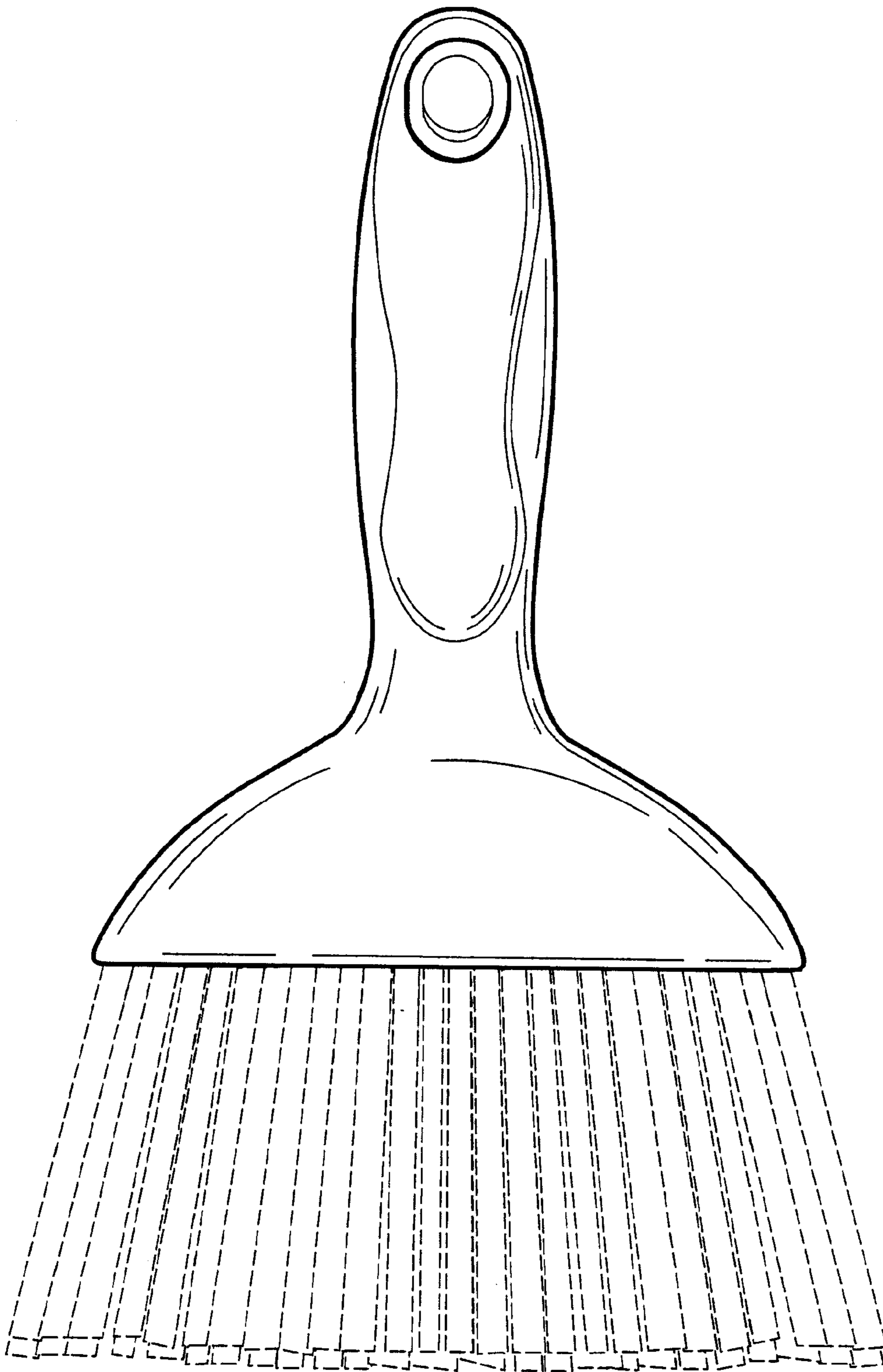


FIG:2

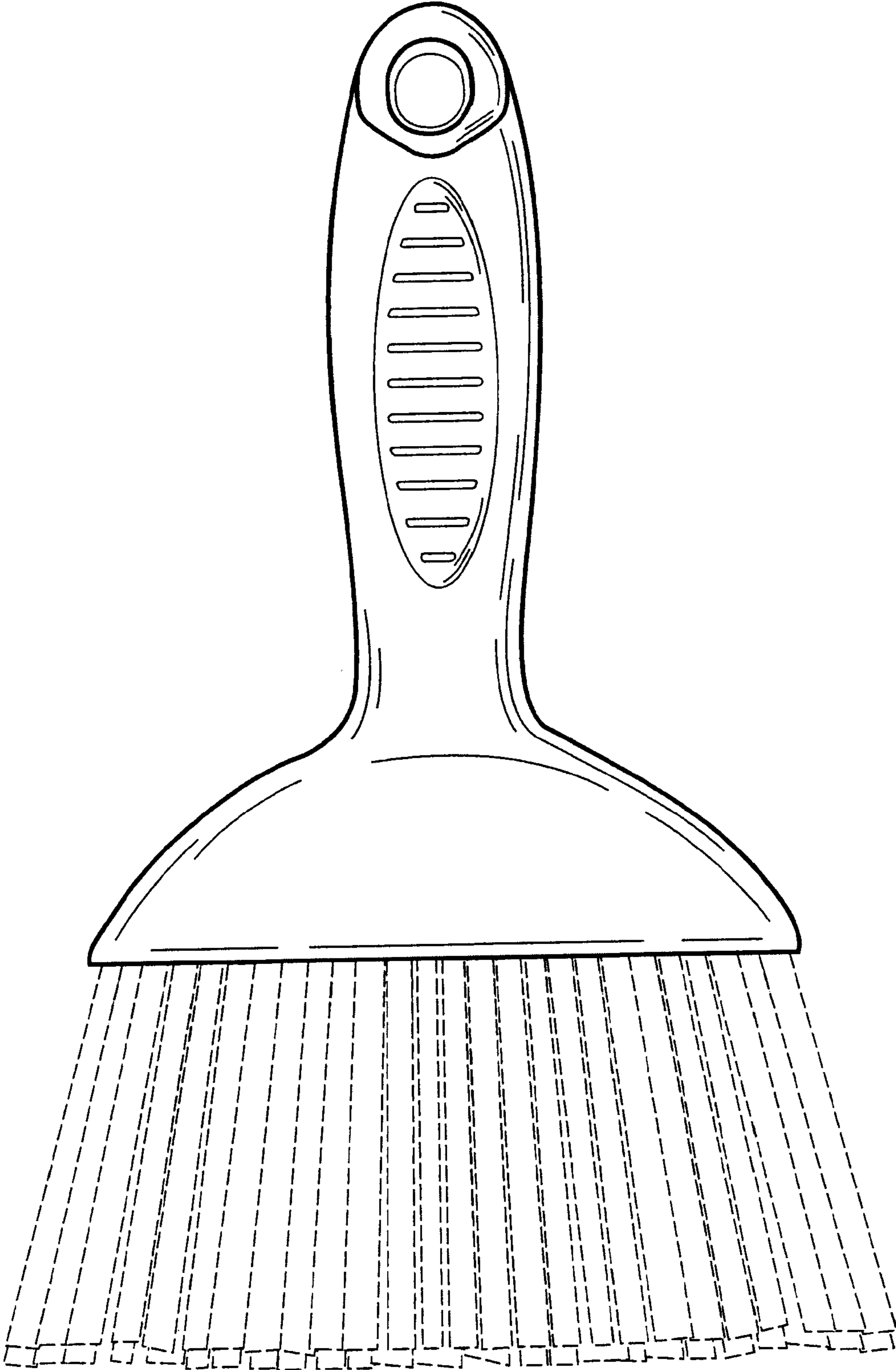


FIG:3



FIG:4

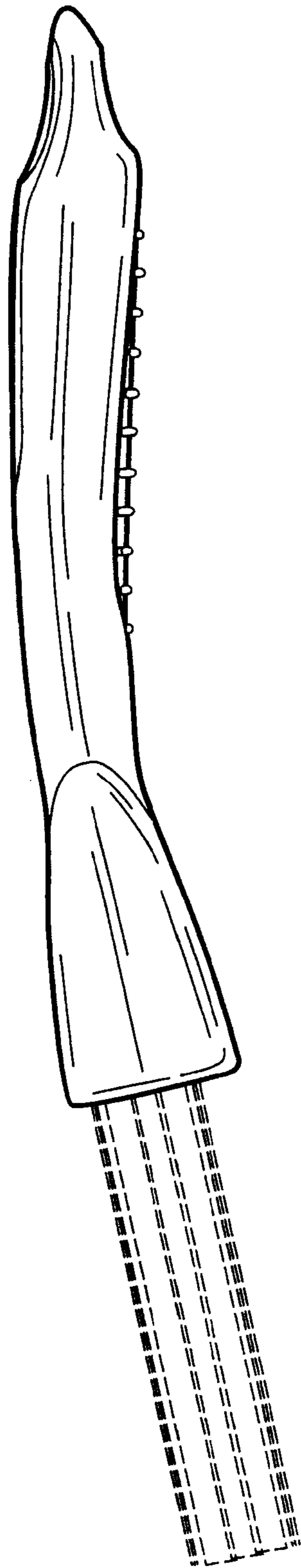


FIG:5

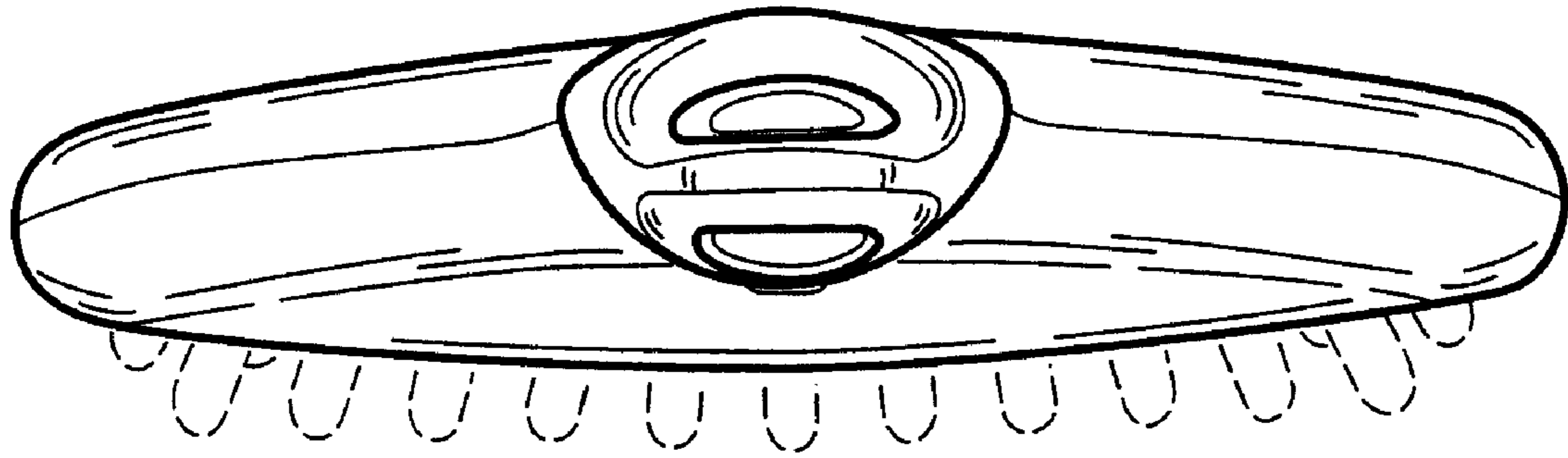


FIG:6

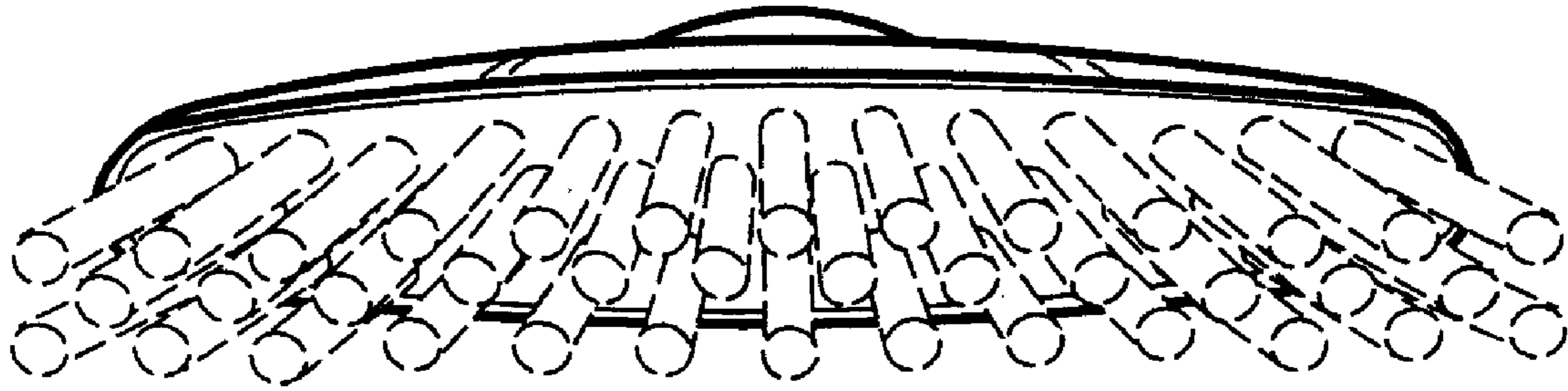


FIG:7



FIG:8

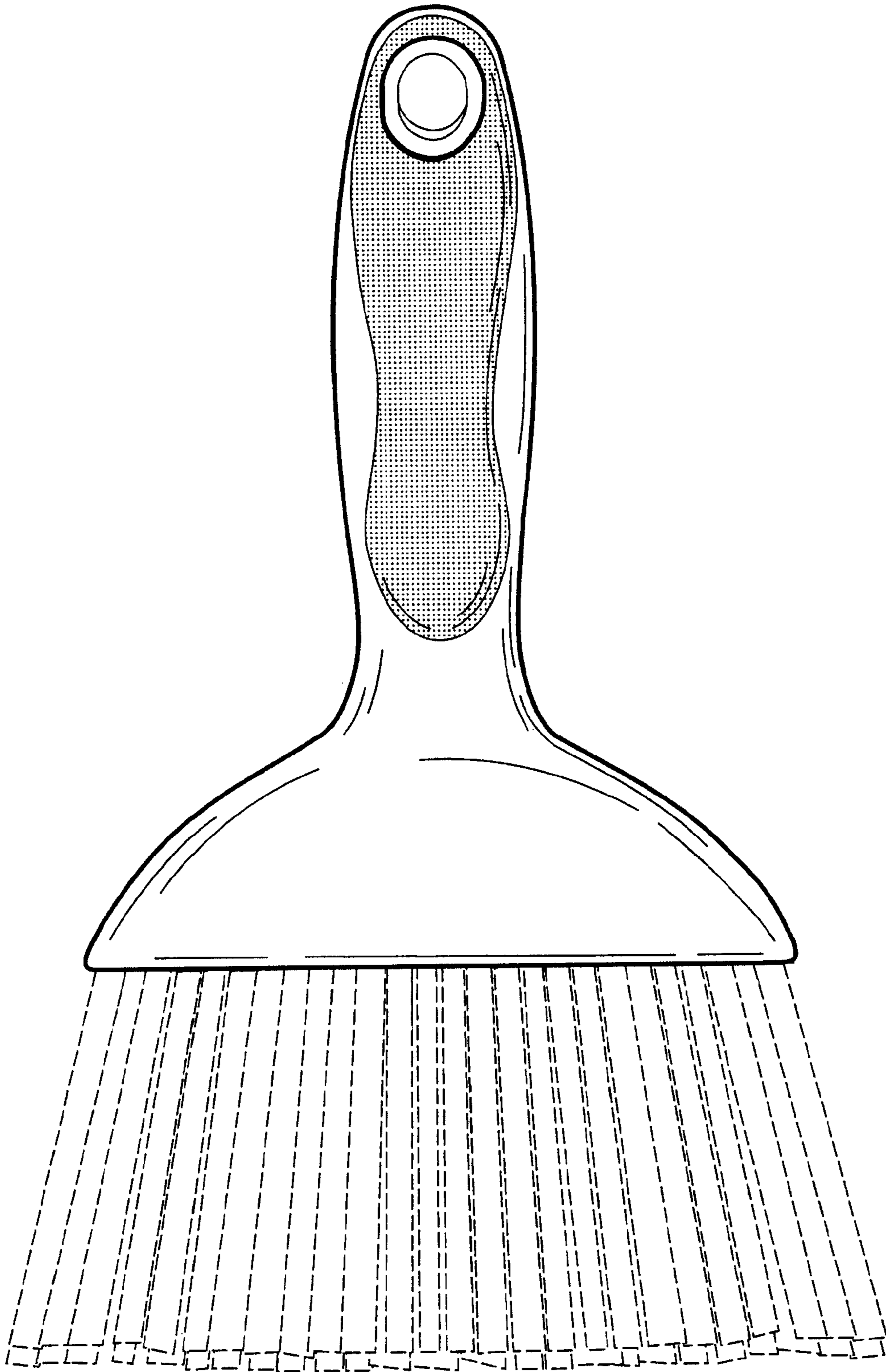


FIG:9

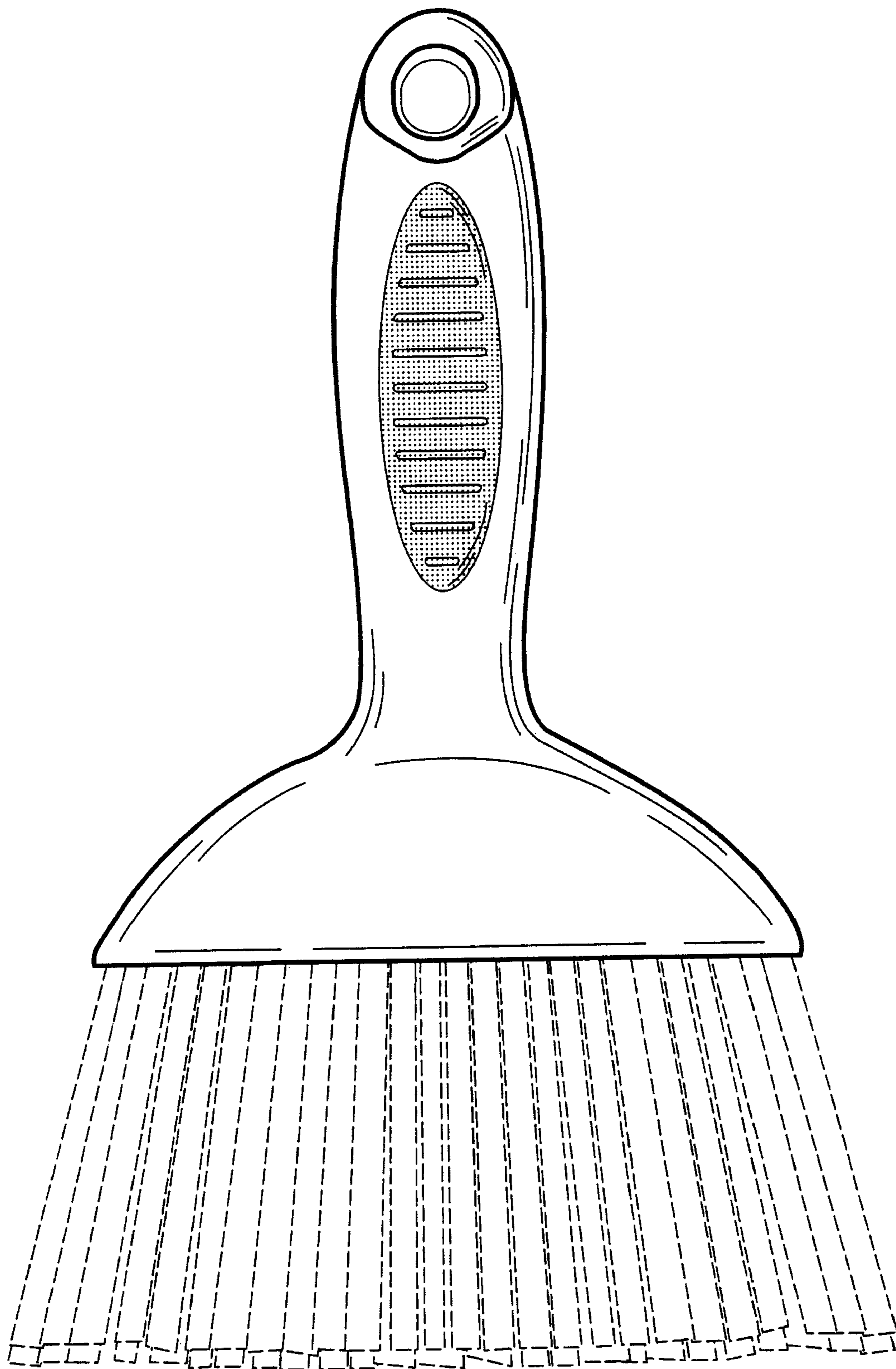


FIG:10



FIG:11

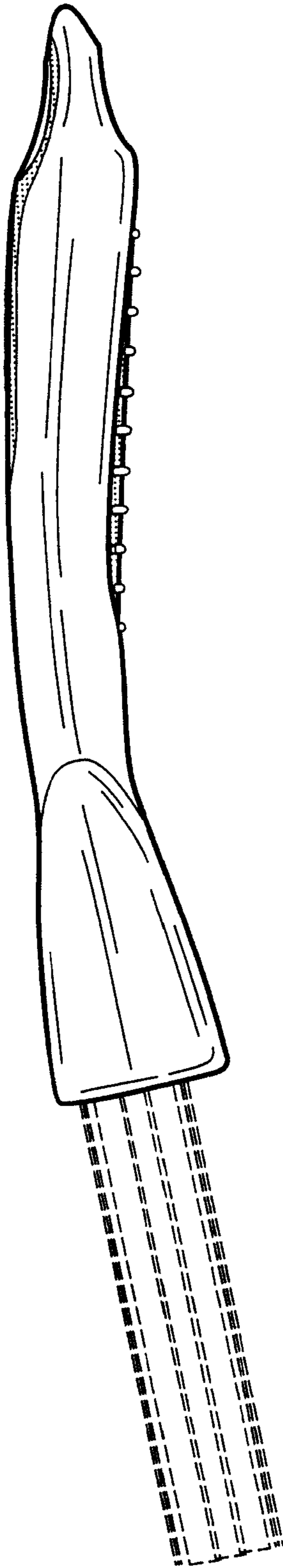


FIG:12

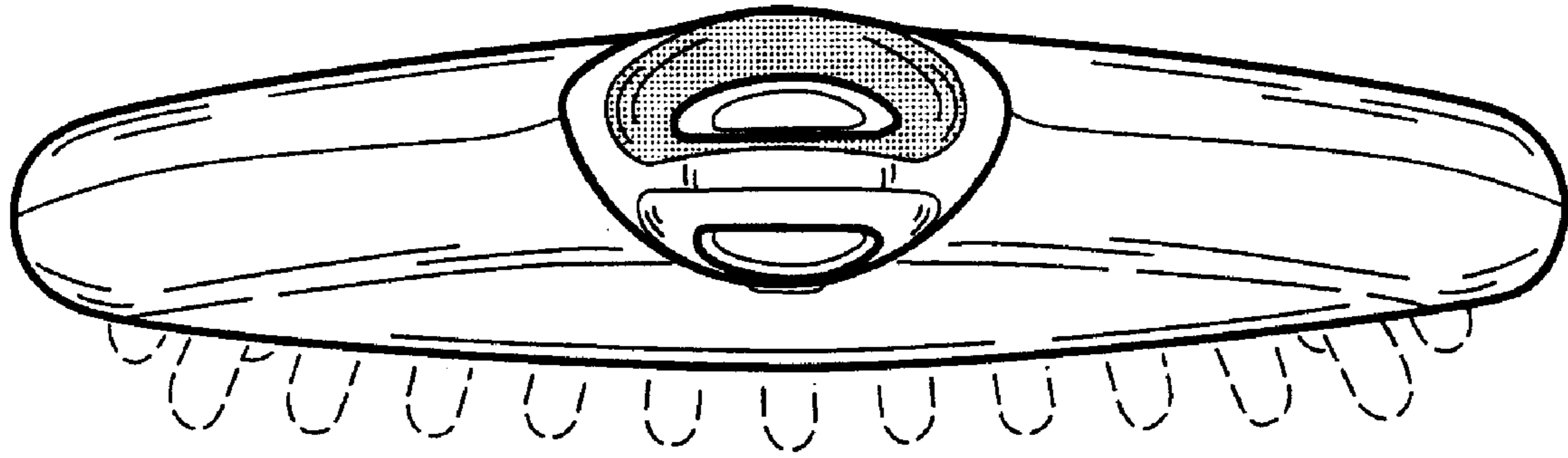


FIG:13

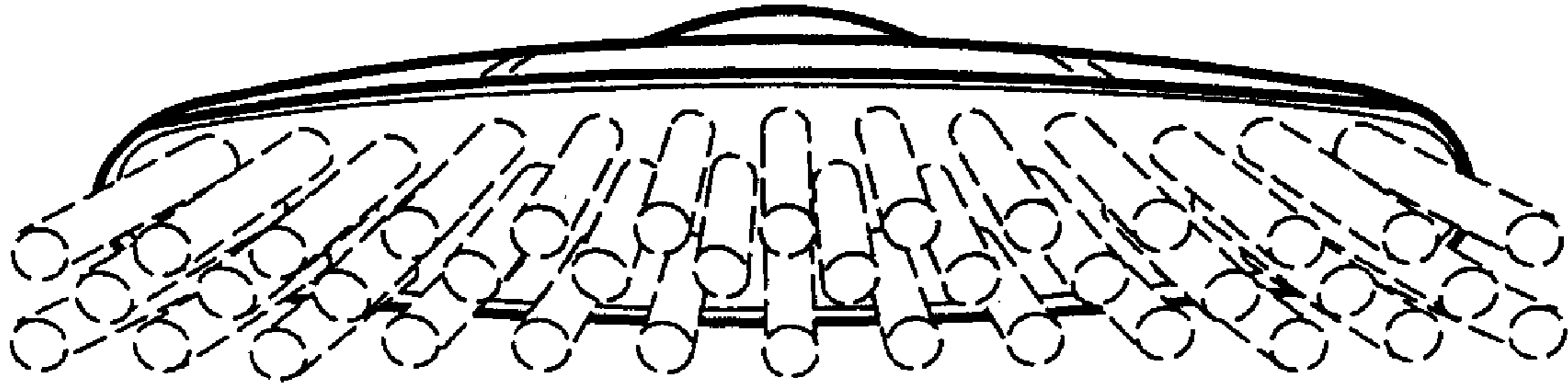


FIG:14



FIG:15

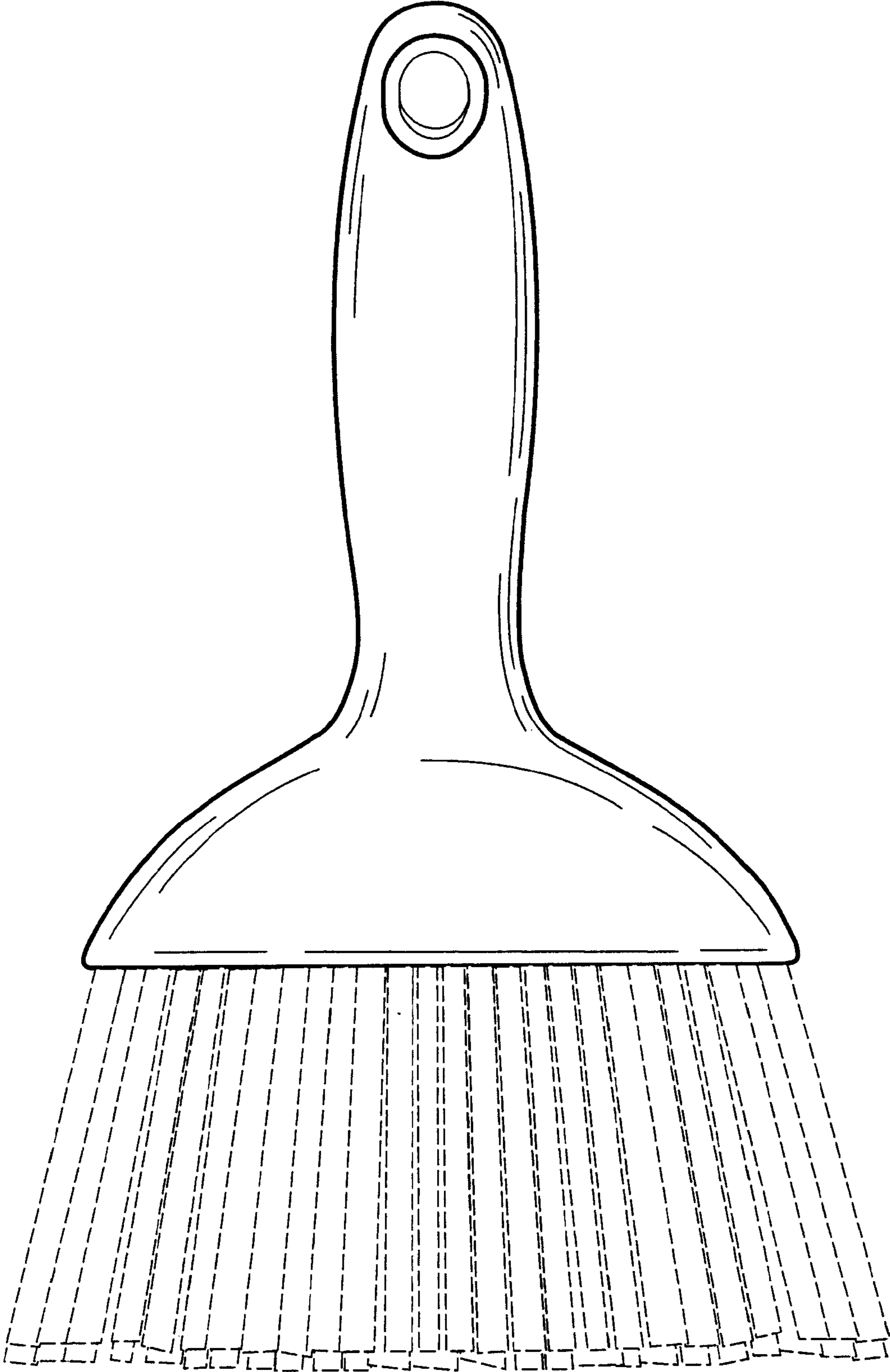


FIG:16

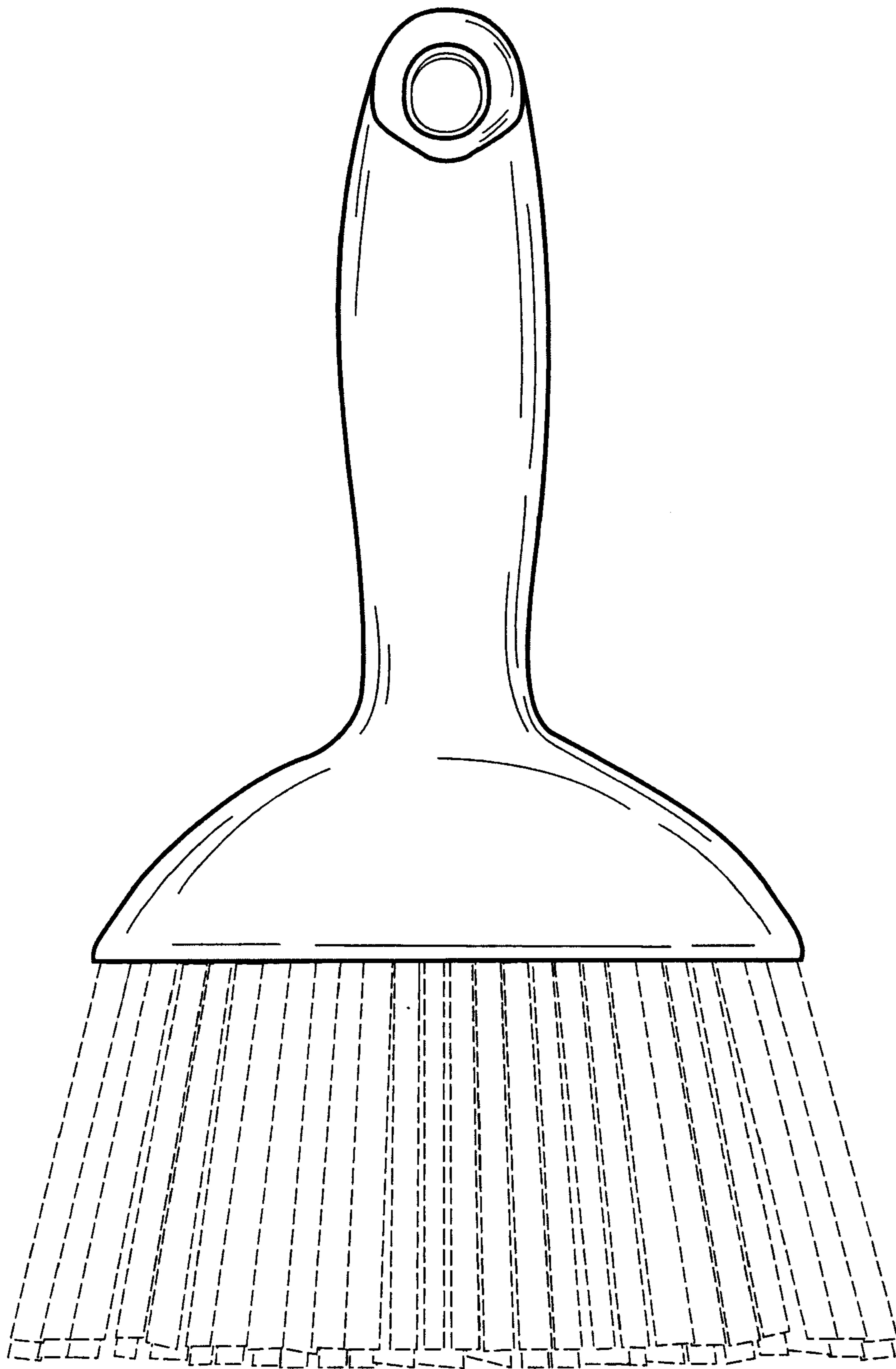


FIG:17

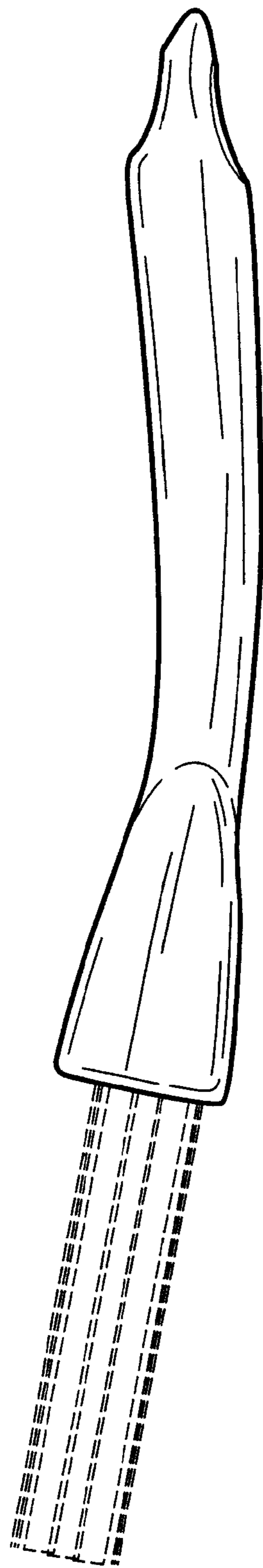


FIG:18

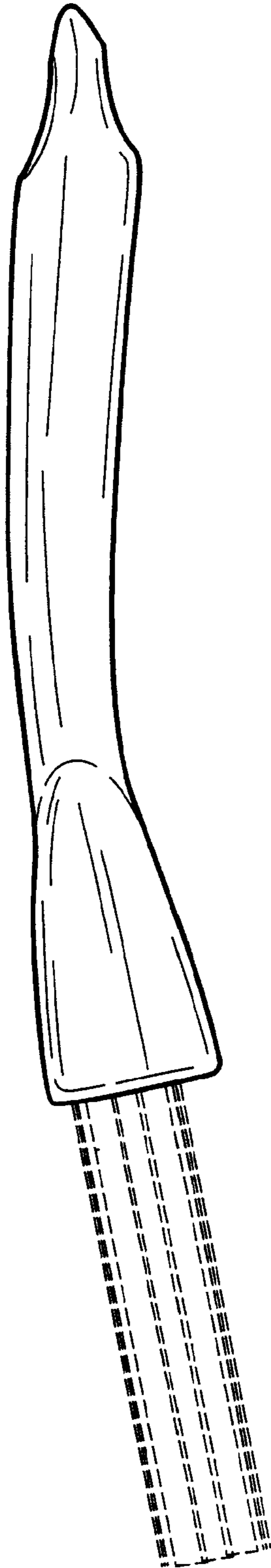


FIG:19

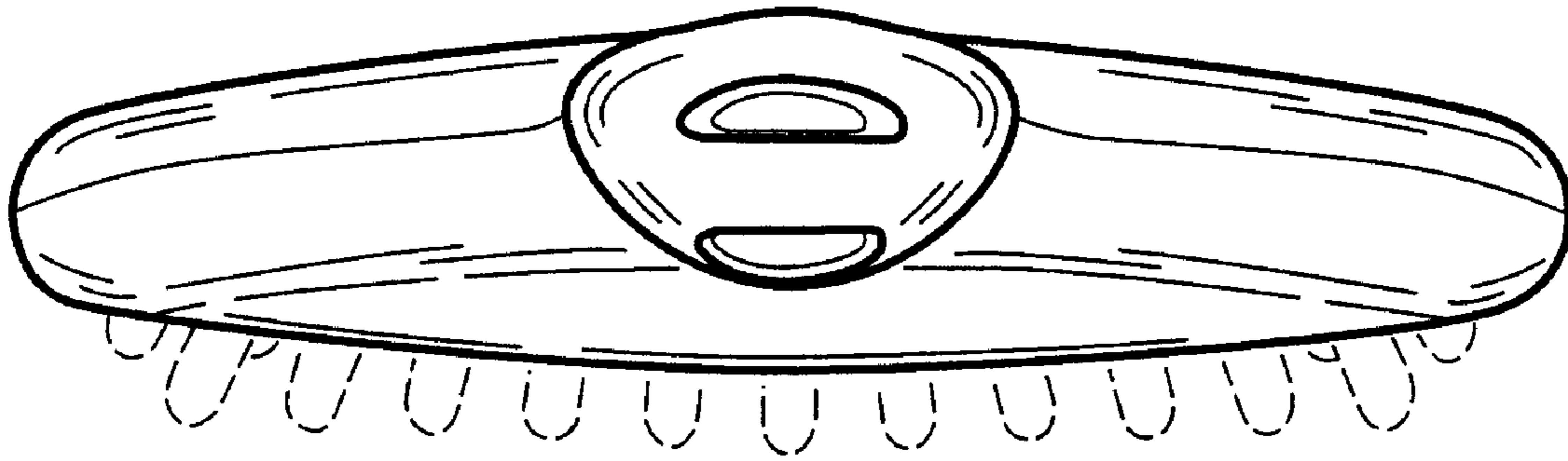


FIG:20

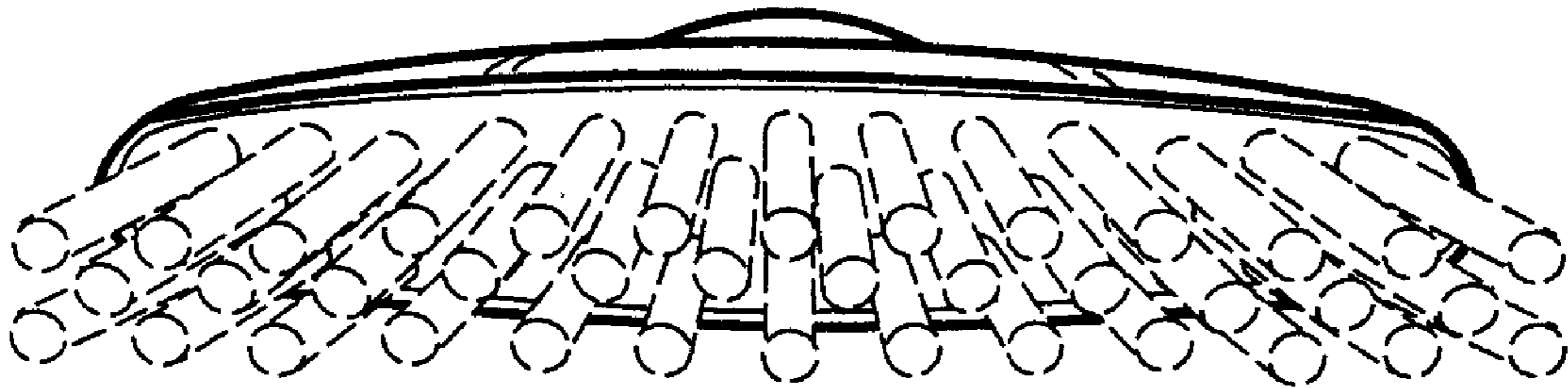


FIG:21