

US00D548972S

(12) **United States Design Patent** (10) **Patent No.:** **US D548,972 S**
Wald (45) **Date of Patent:** **** Aug. 21, 2007**

(54) **FIELD FOLDER**

(75) Inventor: **Ryan K. Wald**, Oakland Township, MI (US)

(73) Assignee: **The John Christian Company**, Warren, MI (US)

(**) Term: **14 Years**

(21) Appl. No.: **29/254,342**

(22) Filed: **Feb. 22, 2006**

(51) **LOC (8) Cl.** **03-01**

(52) **U.S. Cl.** **D3/299; D12/415**

(58) **Field of Classification Search** D3/203.1, D3/205, 243, 273, 299, 303; D12/415; 150/114, 150/118, 152; 190/902; 206/37
See application file for complete search history.

(56) **References Cited**

U.S. PATENT DOCUMENTS

358,272	A *	2/1887	Iliff	229/68.1
1,722,507	A *	7/1929	Stanley	206/581
D95,295	S *	4/1935	Walinsky	D3/243
D95,391	S *	4/1935	Walinsky	D3/243
D95,694	S *	5/1935	Lewis	D3/243
D108,150	S *	1/1938	Bautista	D3/299
2,560,437	A *	7/1951	Guenther et al.	190/119
2,746,505	A *	5/1956	Howard	206/757
D263,897	S *	4/1982	Thornton	D3/243
D287,428	S *	12/1986	Knoepke	D3/299
D329,327	S *	9/1992	Holtzclaw, Jr.	D3/262
D393,366	S *	4/1998	Kopel	D3/233
D423,771	S *	5/2000	Gomez et al.	D3/205
D442,781	S *	5/2001	Snider	D3/299
D458,752	S *	6/2002	Wolf	D3/299
D473,715	S *	4/2003	Moldovan	D3/299
D481,205	S *	10/2003	Parrott et al.	D3/301
D483,199	S *	12/2003	Hassett	D6/407
D496,792	S *	10/2004	Crites	D3/299
D518,954	S *	4/2006	Wald	D3/273
D530,917	S *	10/2006	Conforti	D3/299

* cited by examiner

Primary Examiner—Philip S. Hyder

Assistant Examiner—RoseLynne (Ulm) Cody

(74) *Attorney, Agent, or Firm*—Honigman Miller Schwartz & Cohn LLP

(57) **CLAIM**

The ornamental design for field folder, as shown and described.

DESCRIPTION

FIG. 1 is an isometric view of a first embodiment of the field folder of the present invention;

FIG. 2 is a front elevational view of the field folder of FIG. 1.

FIG. 3 is a rear elevational view of the field folder of FIG. 1.

FIG. 4 is a right side elevational view of the field folder of FIG. 1.

FIG. 5 is a left side elevational view of the field folder of FIG. 1.

FIG. 6 is a top view of the field folder of FIG. 1.

FIG. 7 is a bottom view of the field folder of FIG. 1.

FIG. 8 is an isometric view of a second embodiment of the field folder of the present invention.

FIG. 9 is a front elevational view of the field folder of FIG. 8.

FIG. 10 is a right side elevational view of the field folder of FIG. 8.

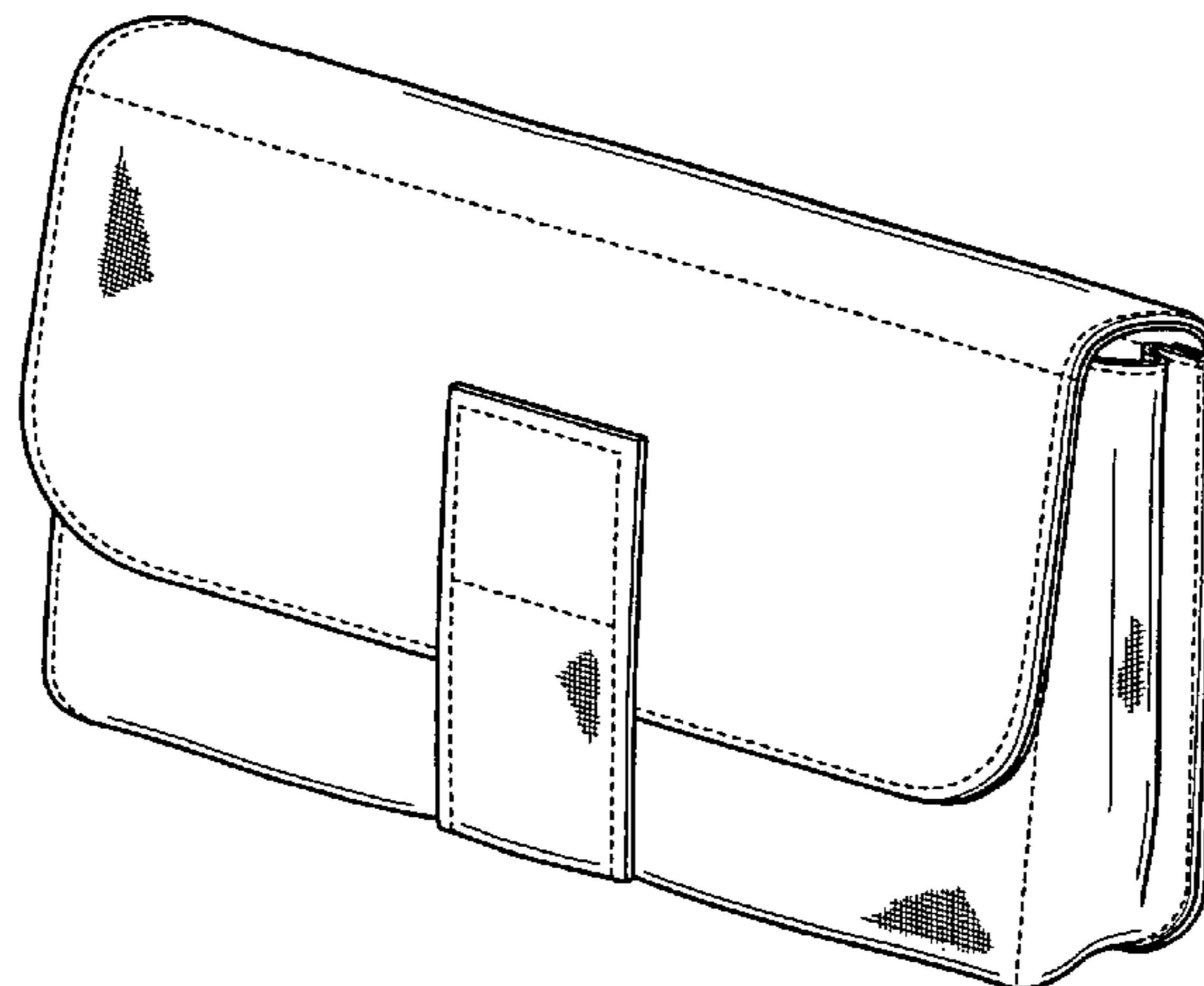
FIG. 11 is a left side elevational view of the field folder of FIG. 8.

FIG. 12 is a top view of the field folder of FIG. 8; and,

FIG. 13 is a bottom view of the field folder of FIG. 8.

The broken lines in all figures represent stitching and form part of the claimed design.

1 Claim, 8 Drawing Sheets



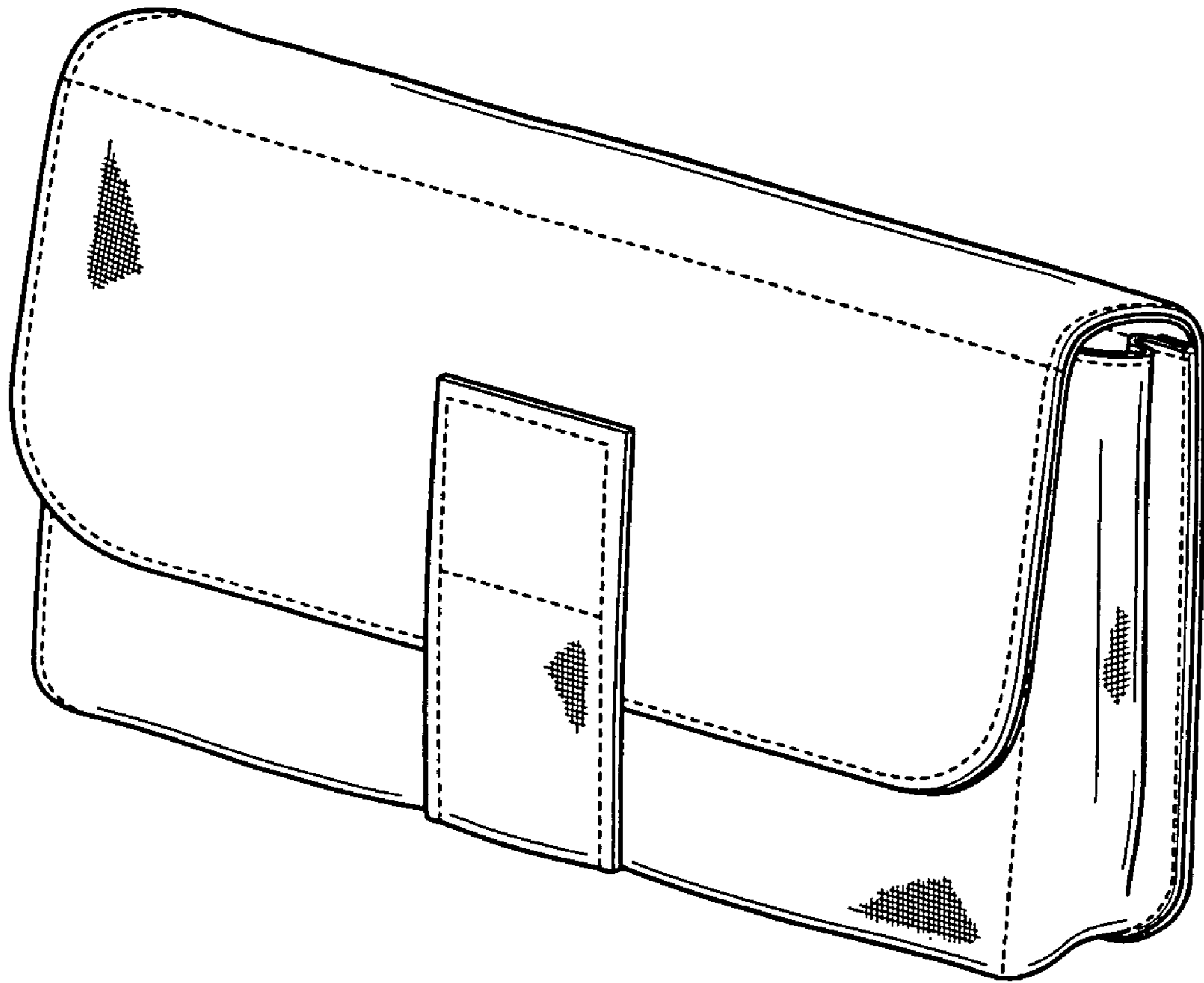


FIG. 1

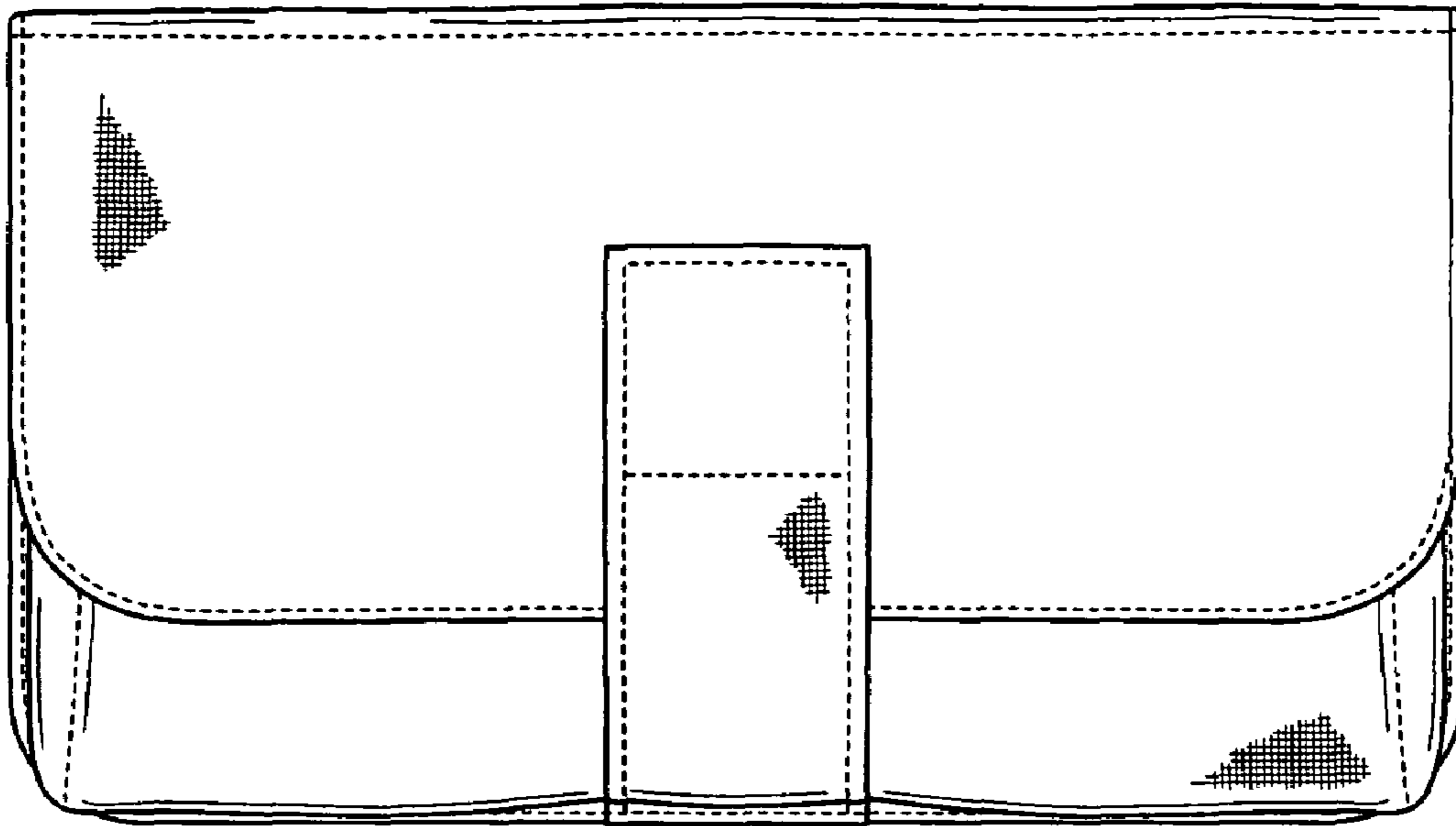


FIG. 2

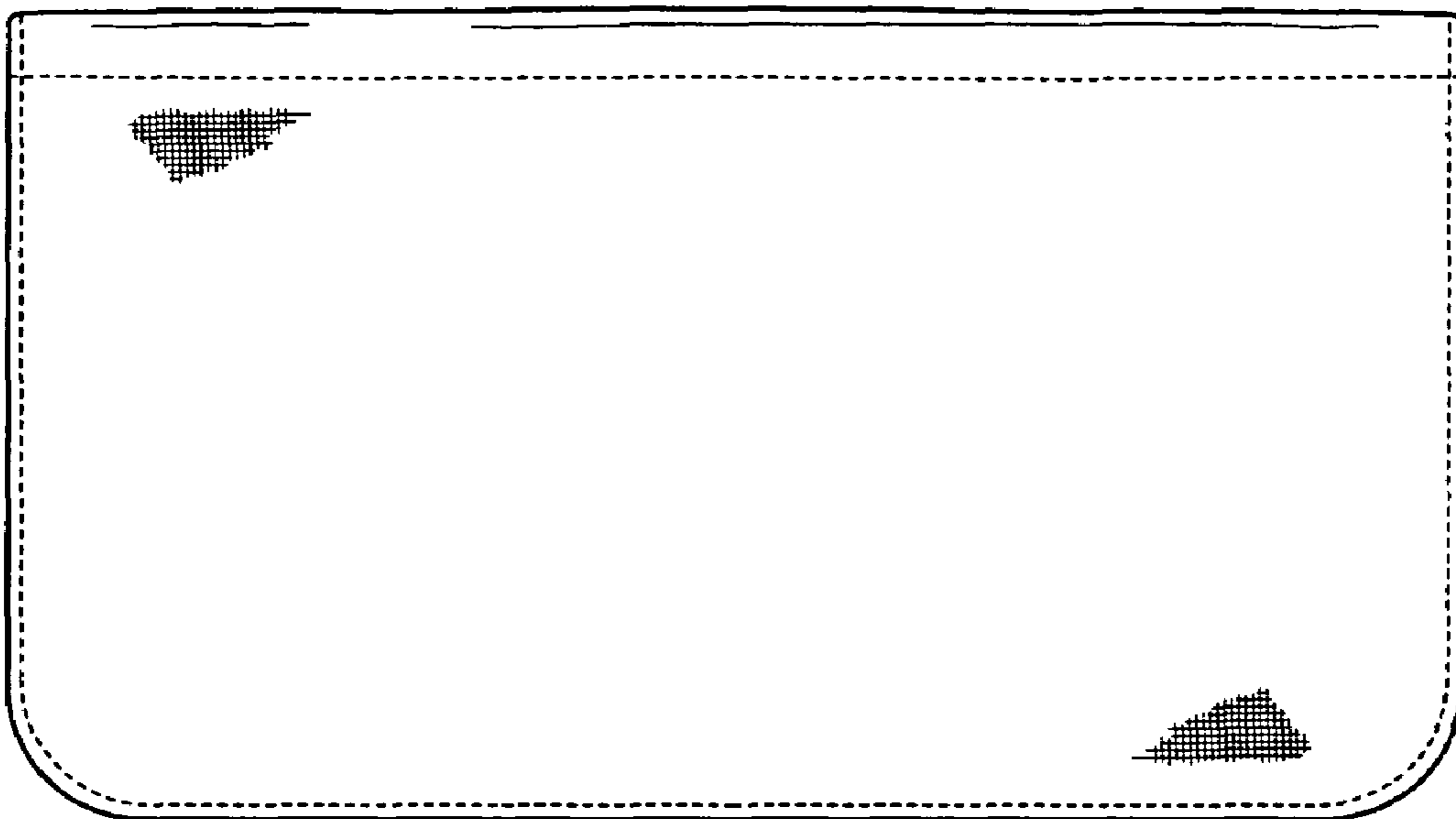


FIG. 3

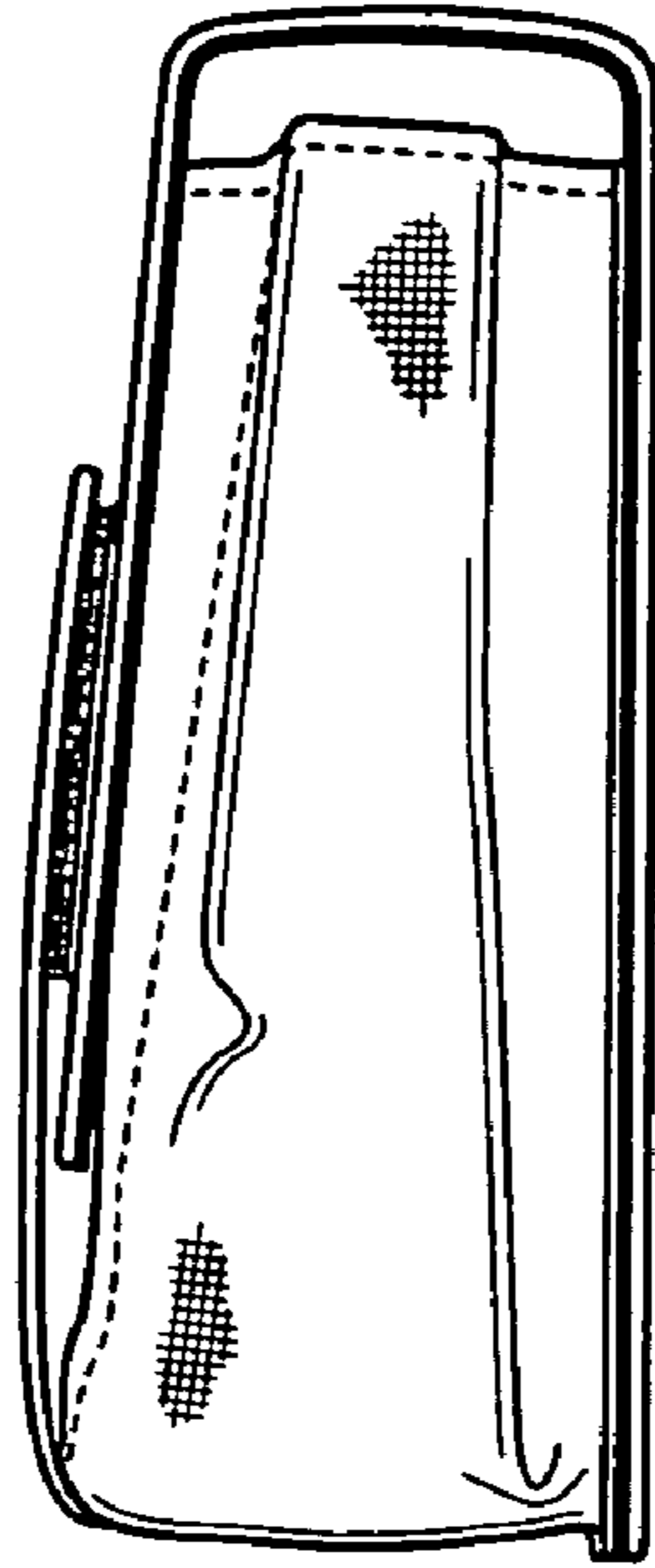


FIG. 4

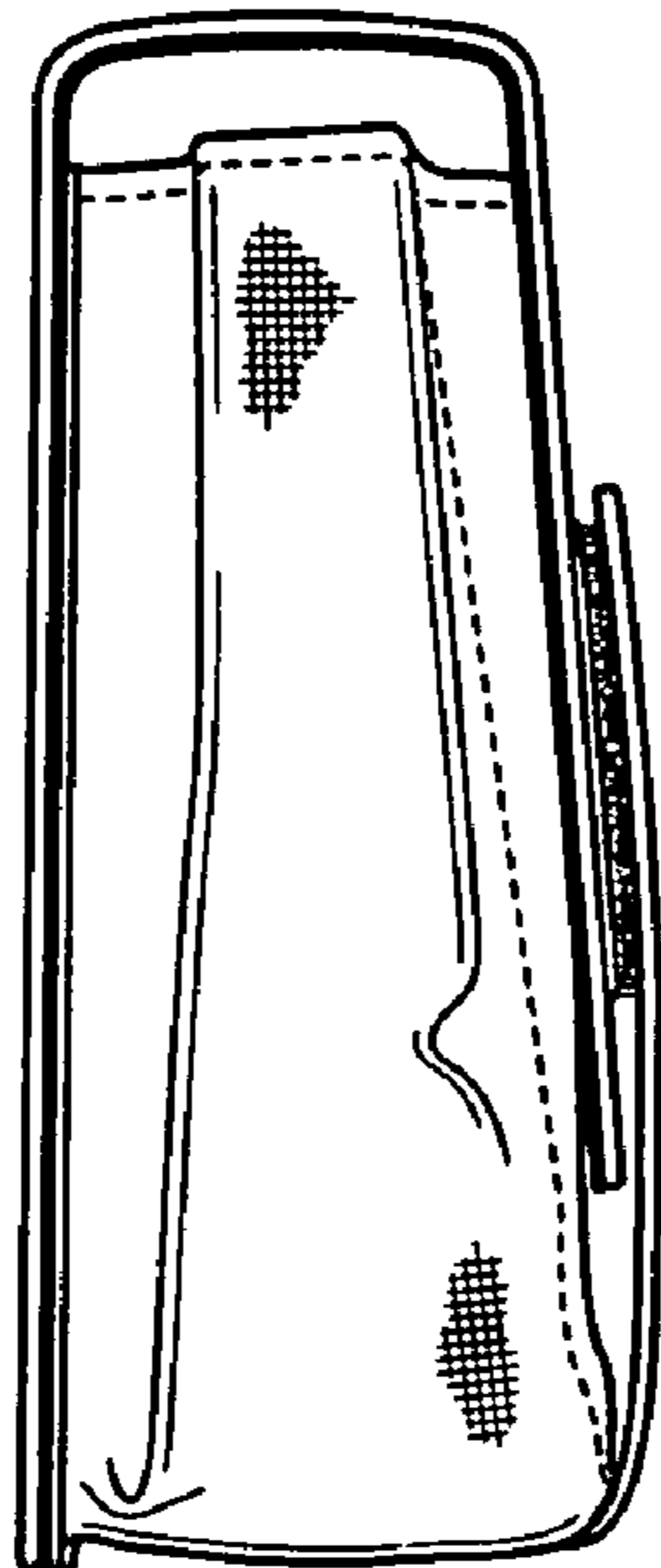


FIG. 5

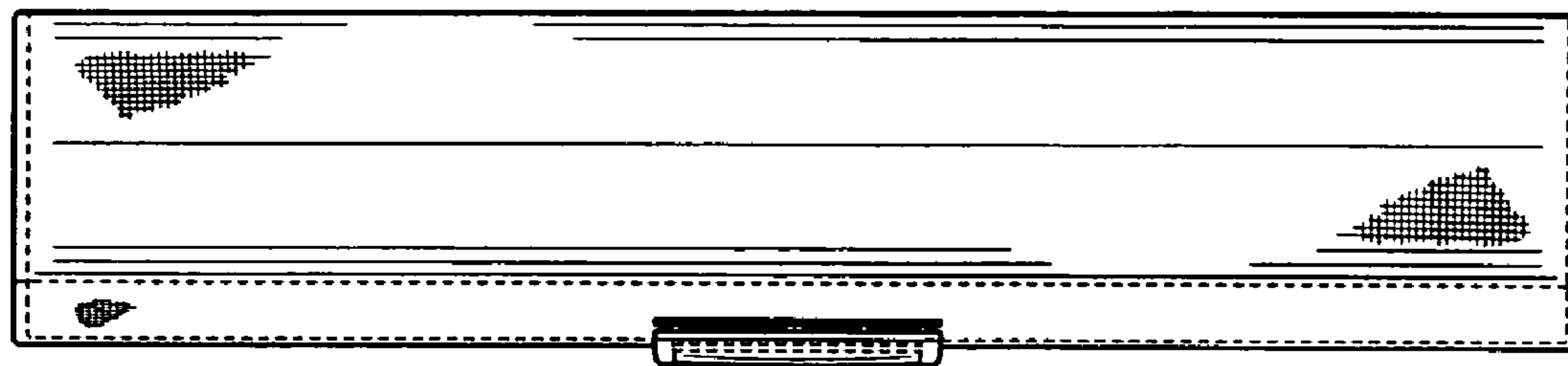


FIG. 6

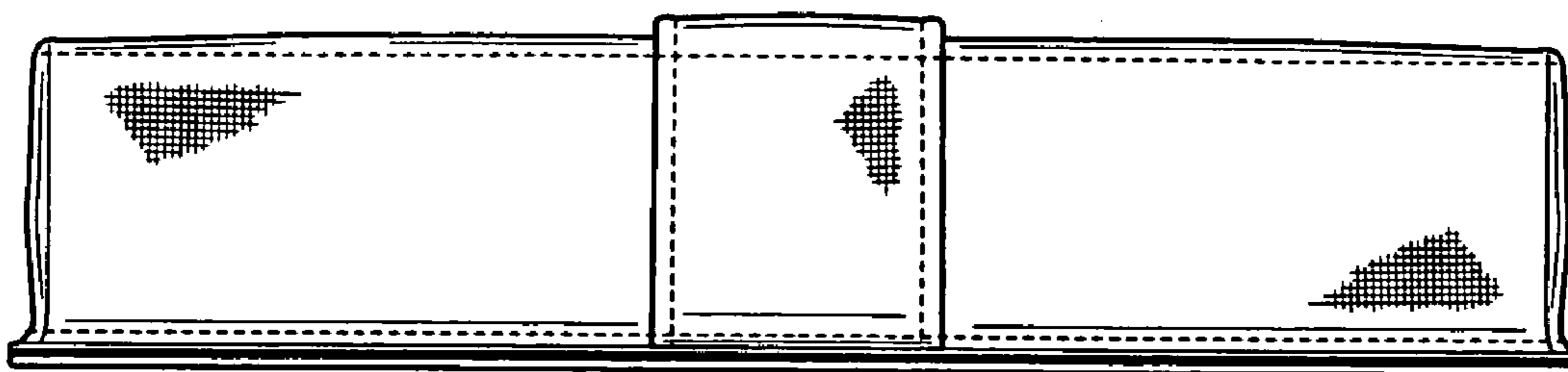


FIG. 7

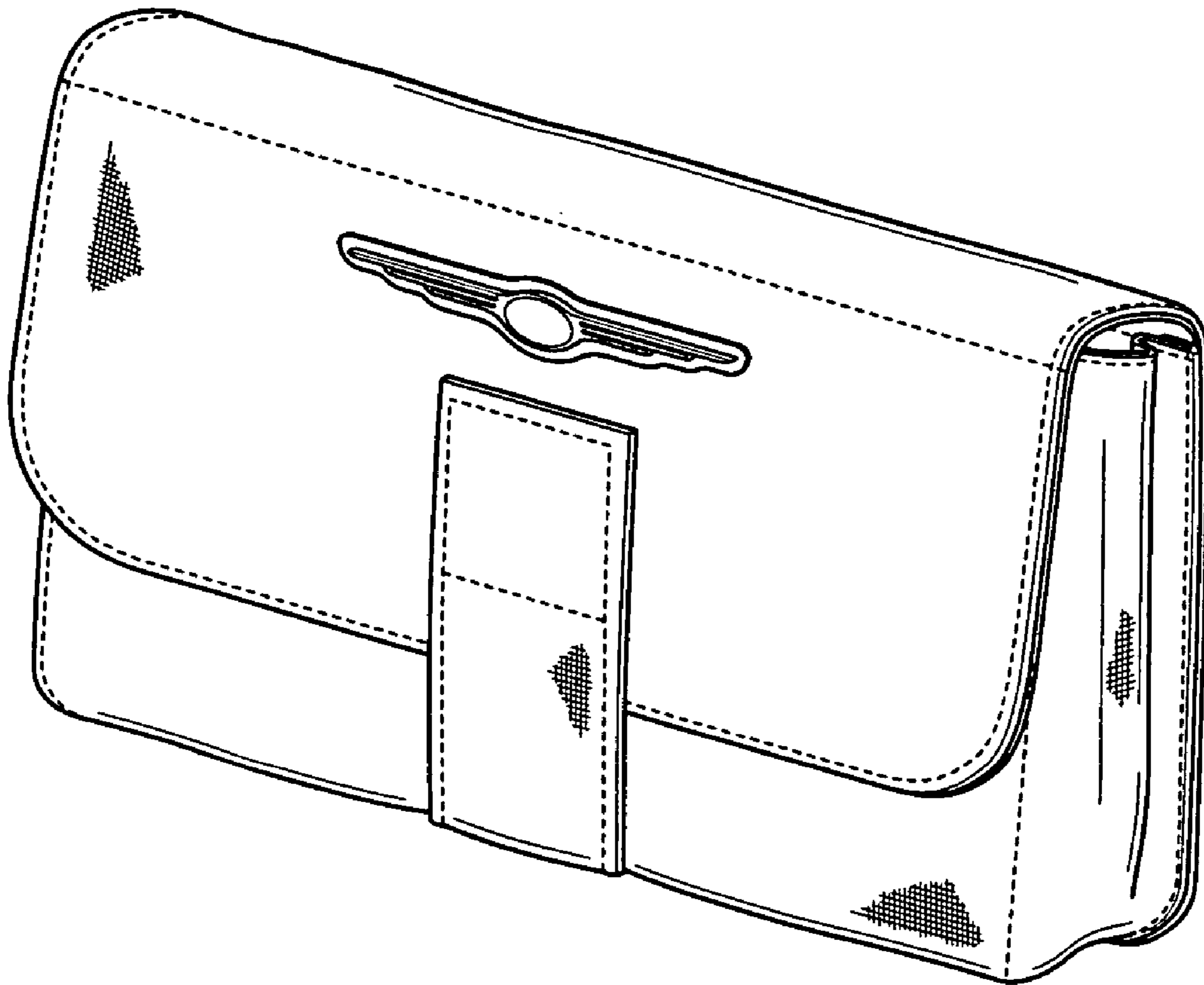


FIG. 8

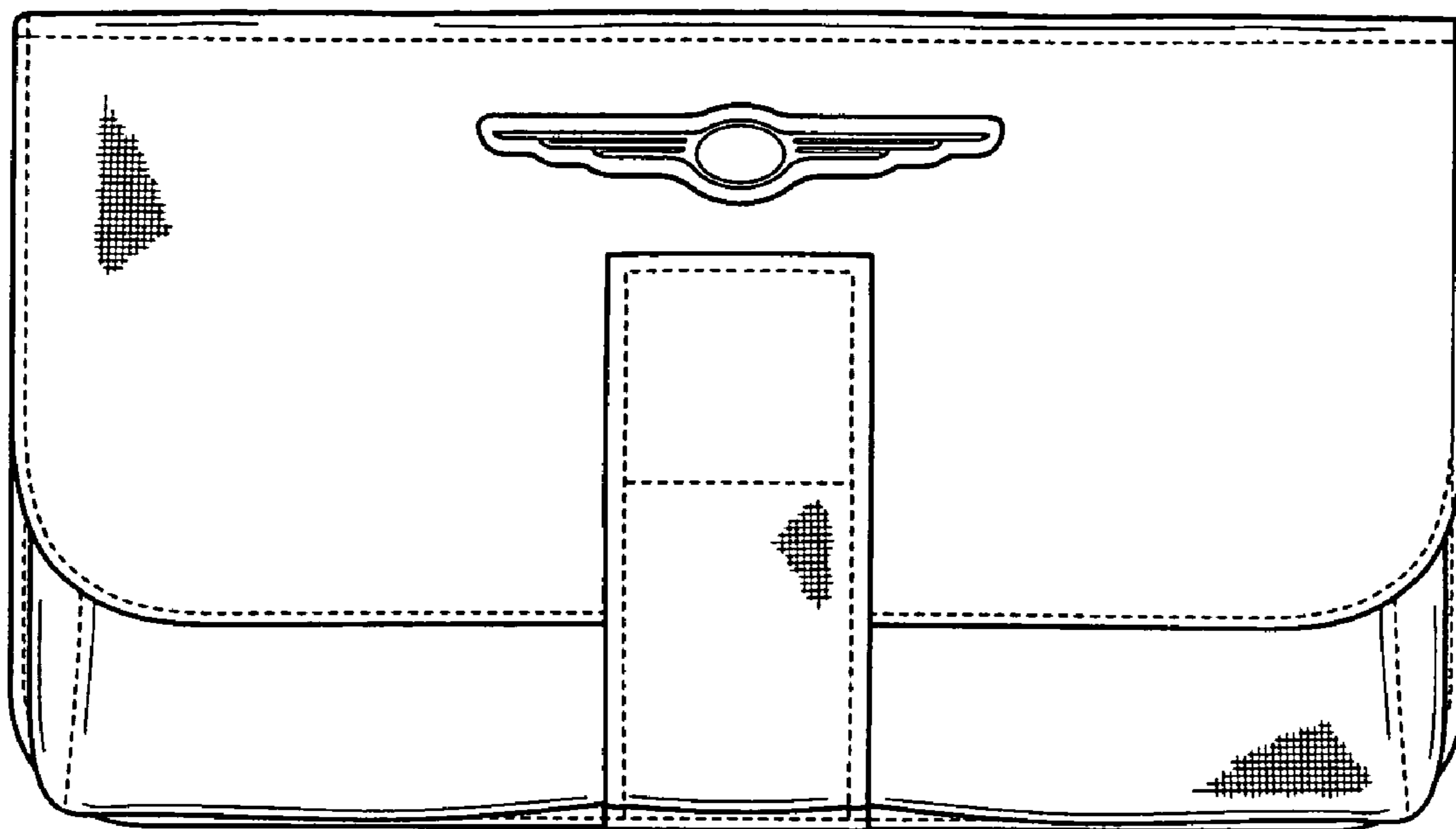


FIG. 9

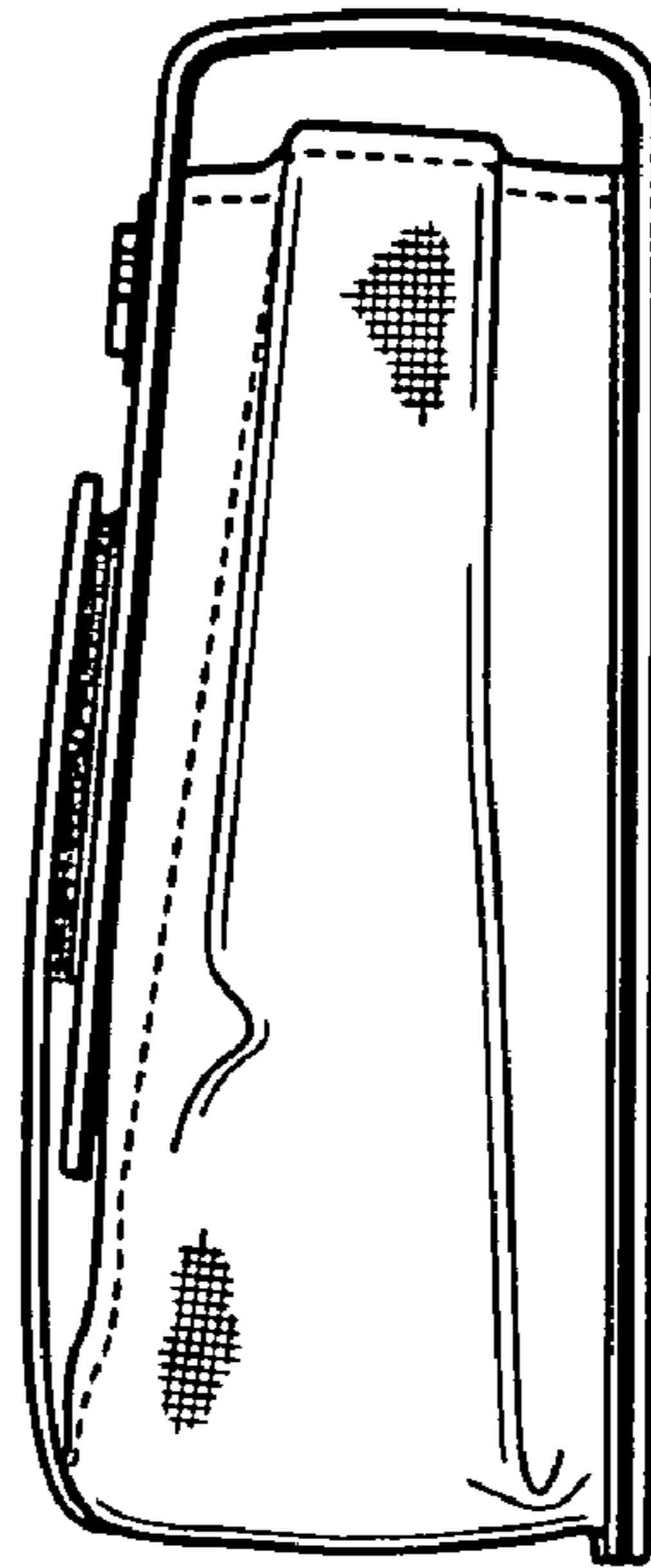


FIG. 10

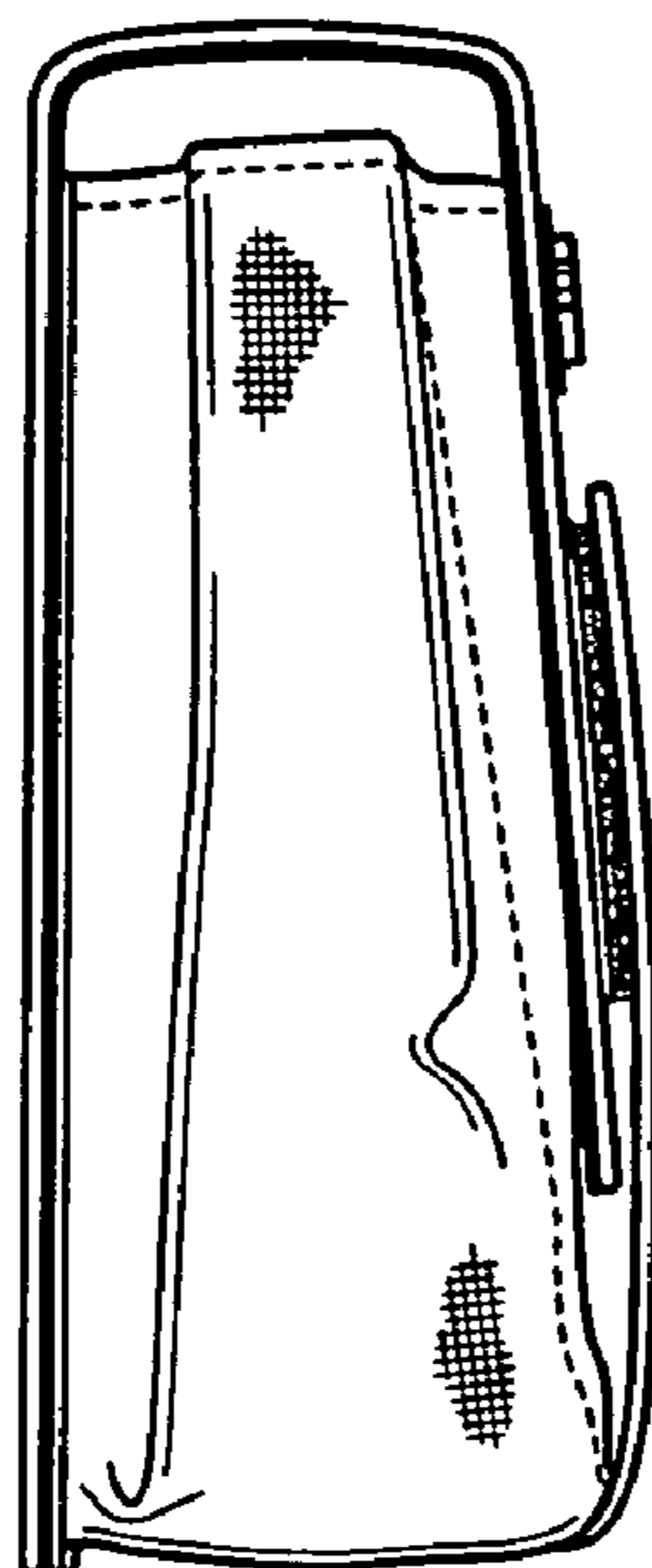


FIG. 11

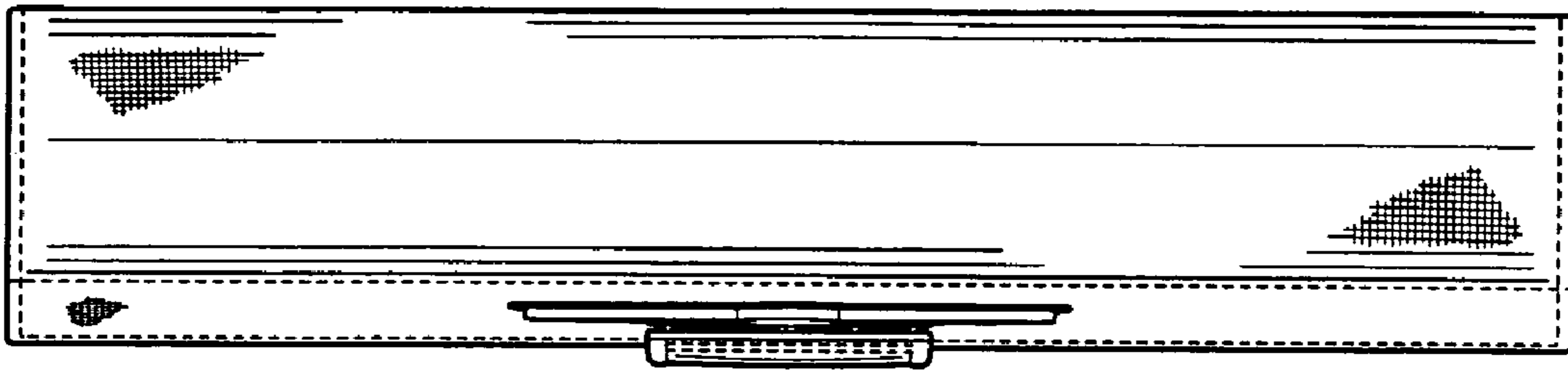


FIG. 12

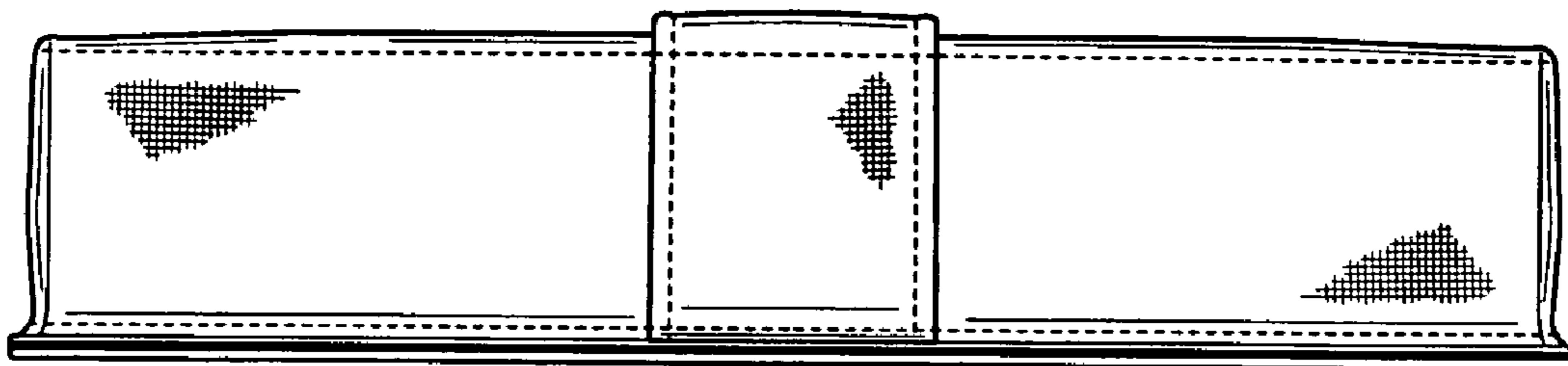


FIG. 13