

US00D548971S

(12) **United States Design Patent**
Lin

(10) **Patent No.:** **US D548,971 S**

(45) **Date of Patent:** **** Aug. 21, 2007**

(54) **TOOL BOX**

(75) Inventor: **Hung-Lin Lin**, Changhua (TW)

(73) Assignee: **Witman Corporation**, Changhua (TW)

(**) Term: **14 Years**

(21) Appl. No.: **29/252,459**

(22) Filed: **Jan. 24, 2006**

(51) **LOC (8) Cl.** **03-01**

(52) **U.S. Cl.** **D3/294; D3/905**

(58) **Field of Classification Search** D3/273-274,
D3/276, 282, 294-295, 905; D9/420-424,
D9/432; 206/372-373, 377-379; 220/4.21-4.24
See application file for complete search history.

(56) **References Cited**

U.S. PATENT DOCUMENTS

D243,230 S *	2/1977	Kleiner	D9/426
D290,344 S *	6/1987	Toms	D9/424
D361,715 S *	8/1995	Hauptert	D9/424
D383,606 S *	9/1997	Bourbonnais	D3/302
D401,763 S *	12/1998	Wolff	D3/273
D477,912 S *	8/2003	Cunningham et al.	D3/273
D478,209 S *	8/2003	Chen	D3/282
D481,868 S *	11/2003	Cunningham et al.	D3/273
D495,597 S *	9/2004	Rubalcava et al.	D9/425

D496,133 S *	9/2004	Dittmer et al.	D28/83
D502,316 S *	3/2005	Chen	D3/273
D513,121 S *	12/2005	Rosine et al.	D3/273
D513,871 S *	1/2006	Rosine et al.	D3/273
D529,289 S *	10/2006	Roesler	D3/294
D530,092 S *	10/2006	Roesler	D3/294

* cited by examiner

Primary Examiner—Philip S. Hyder

Assistant Examiner—RoseLynne (Ulm) Cody

(74) *Attorney, Agent, or Firm*—Rosenberg, Klein & Lee

(57) **CLAIM**

The ornamental design for a tool box, as shown and described.

DESCRIPTION

FIG. 1 is a perspective view of a tool box showing my new design;

FIG. 2 is a top plain view thereof;

FIG. 3 is a bottom plain view thereof;

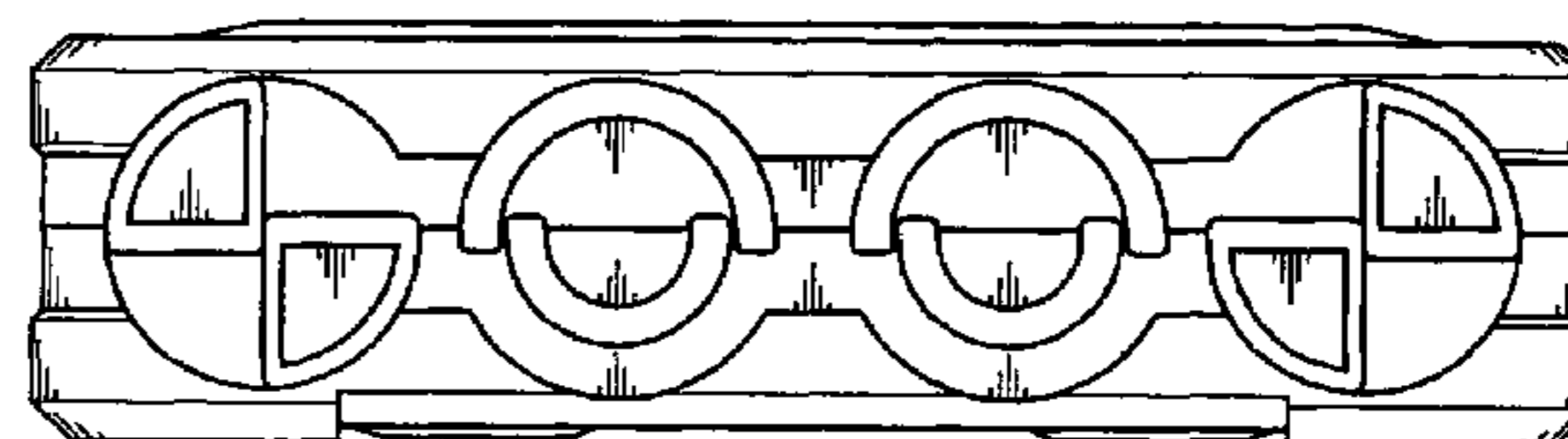
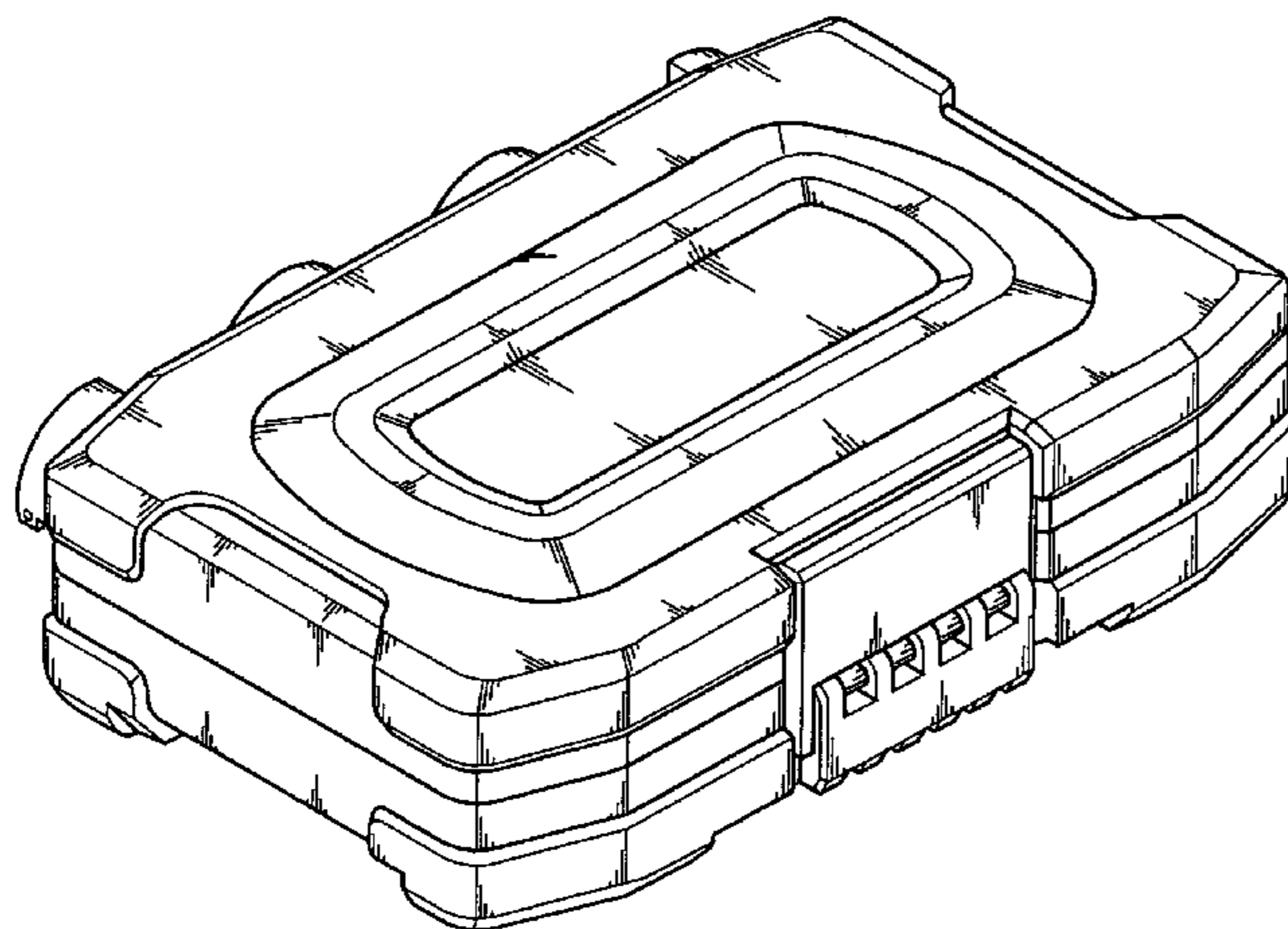
FIG. 4 is a front elevational view thereof;

FIG. 5 is a rear elevational view thereof;

FIG. 6 is a left side elevational view thereof; and,

FIG. 7 is a right side elevational view thereof.

1 Claim, 4 Drawing Sheets



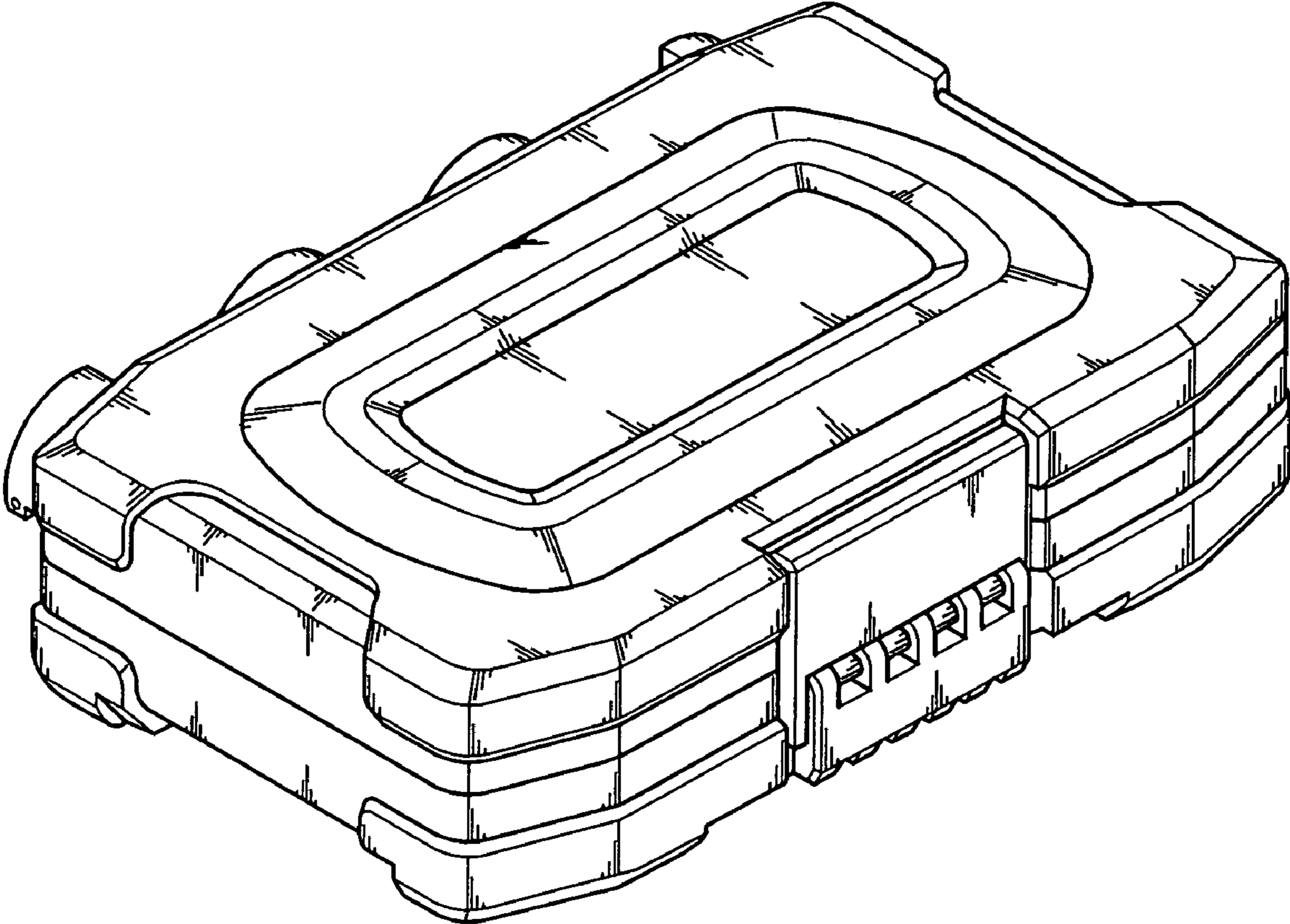


FIG. 1

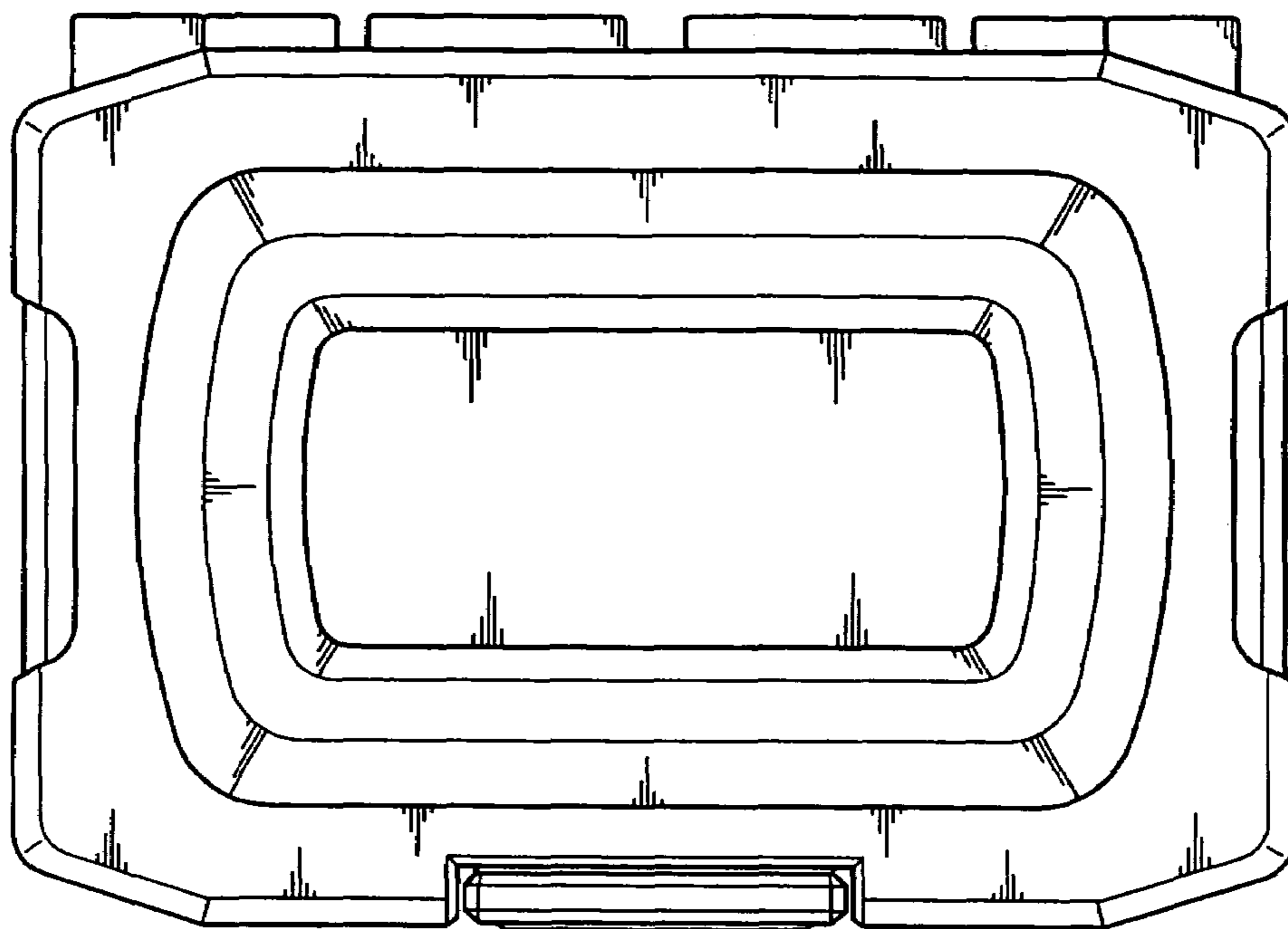


FIG. 2

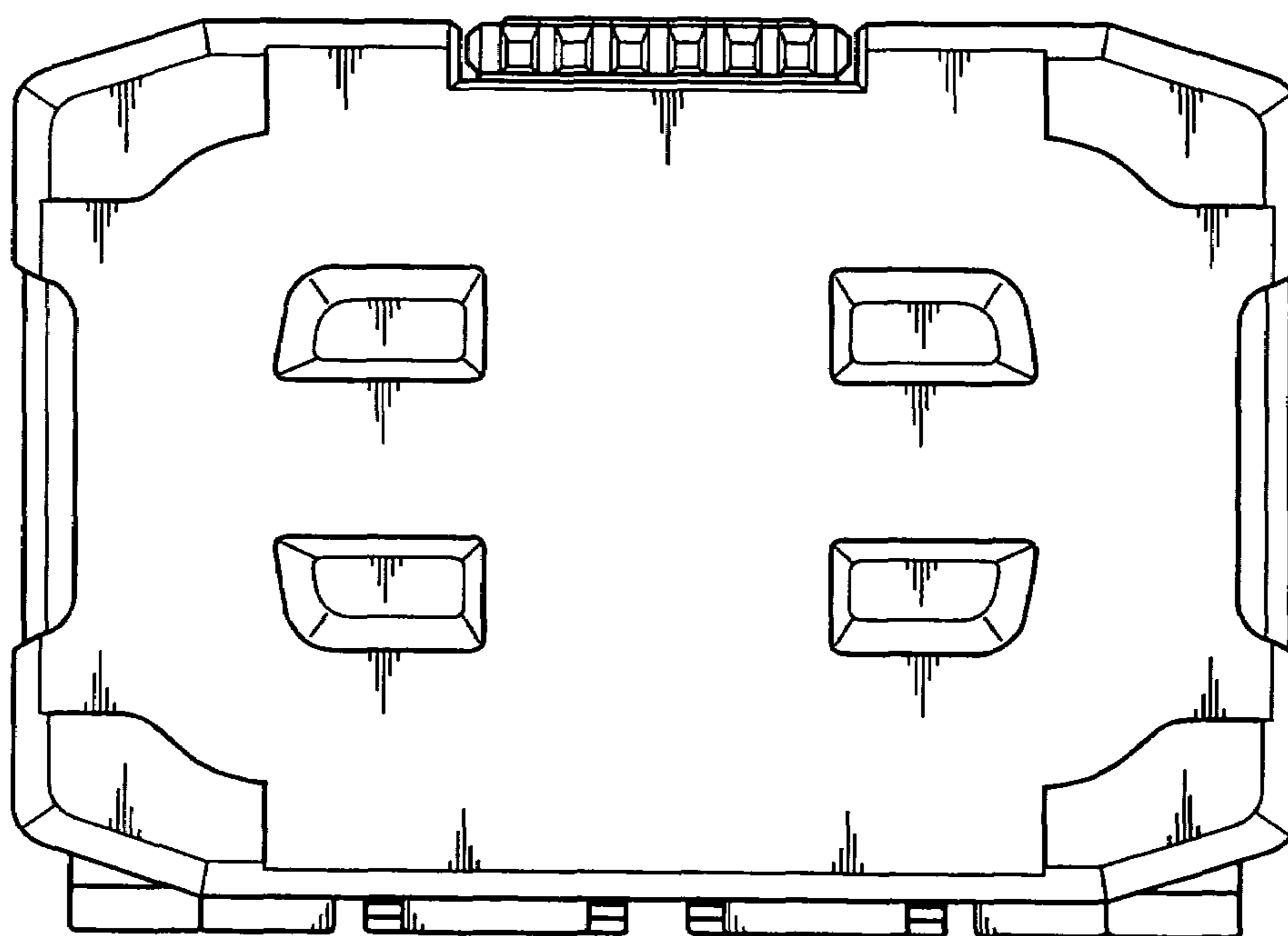


FIG. 3

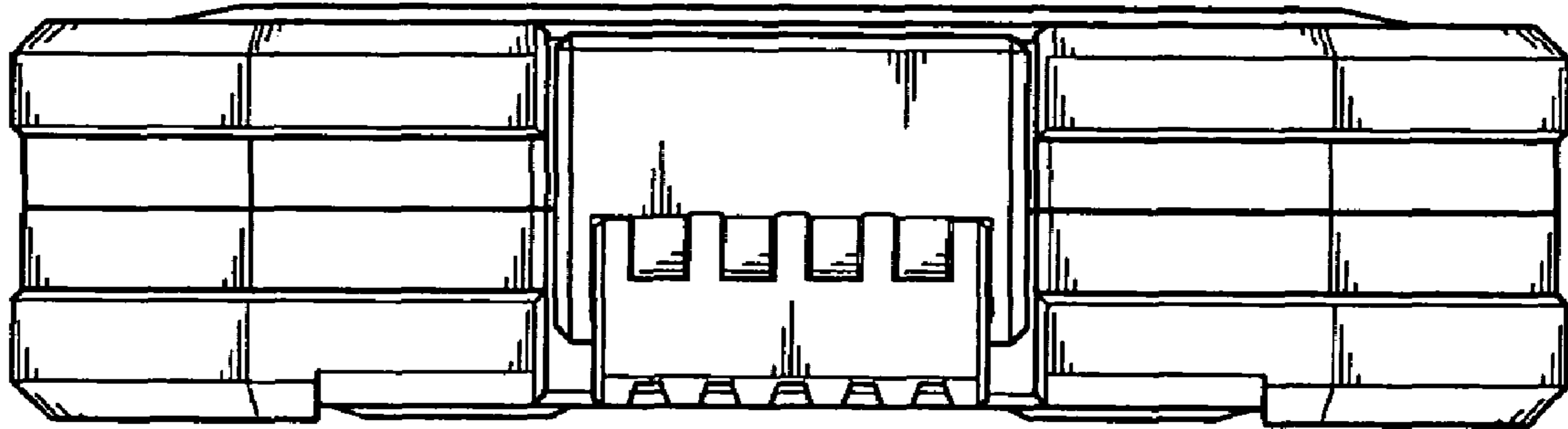


FIG. 4

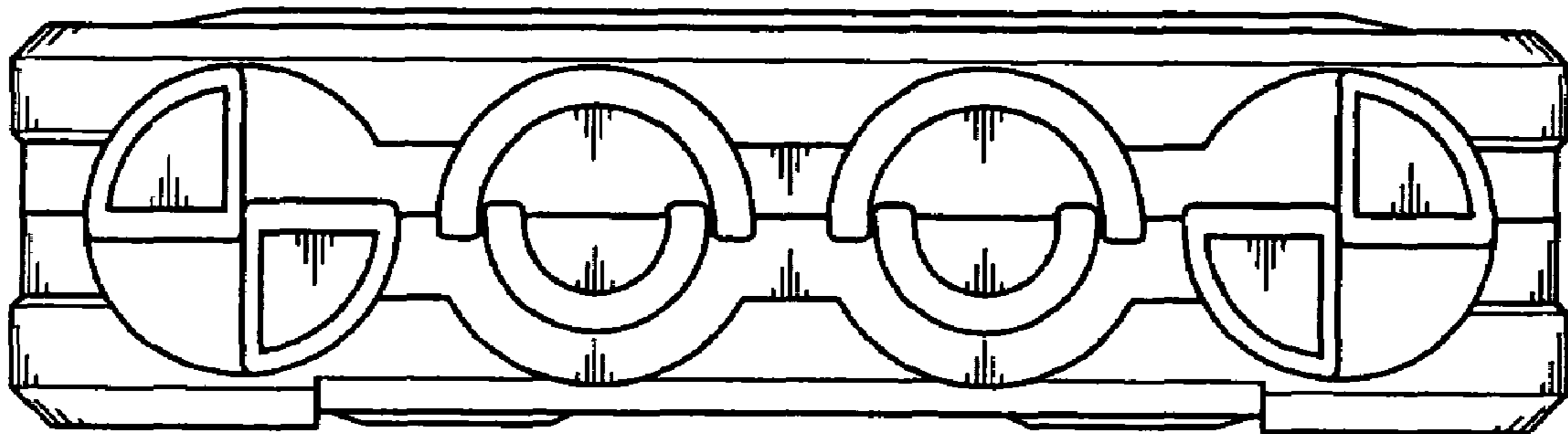


FIG. 5

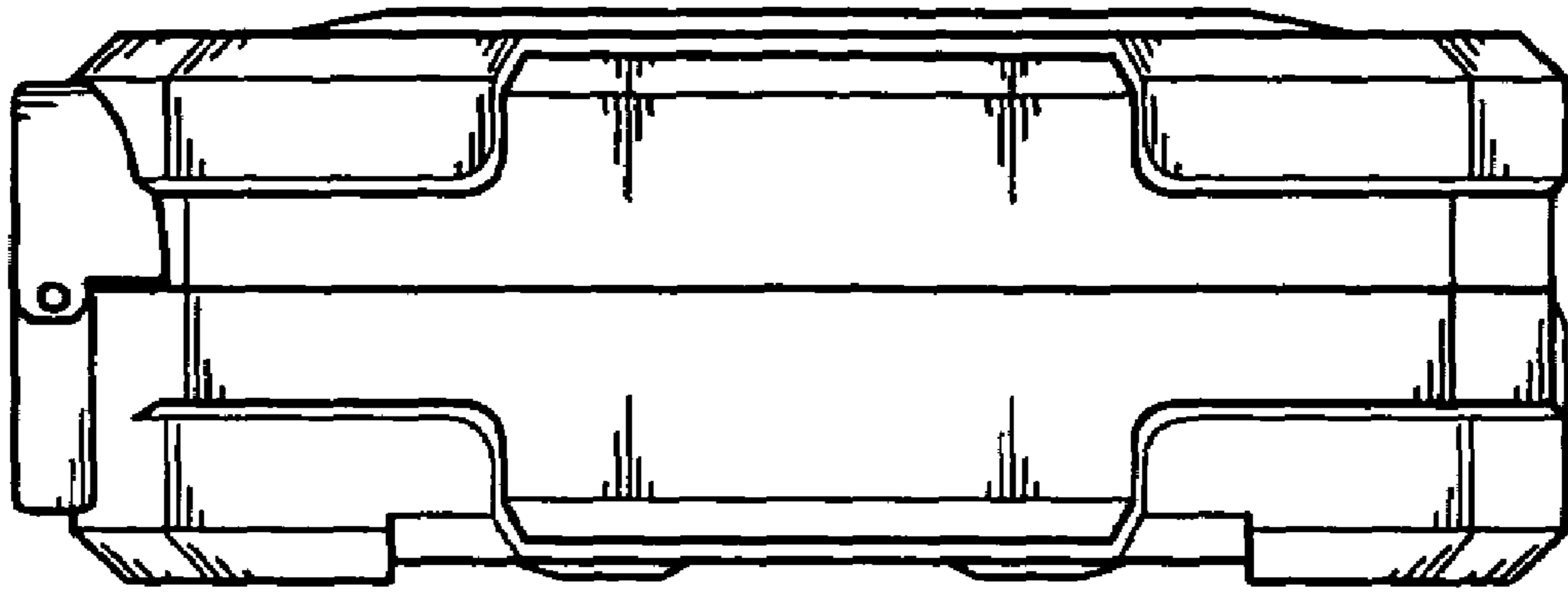


FIG. 6

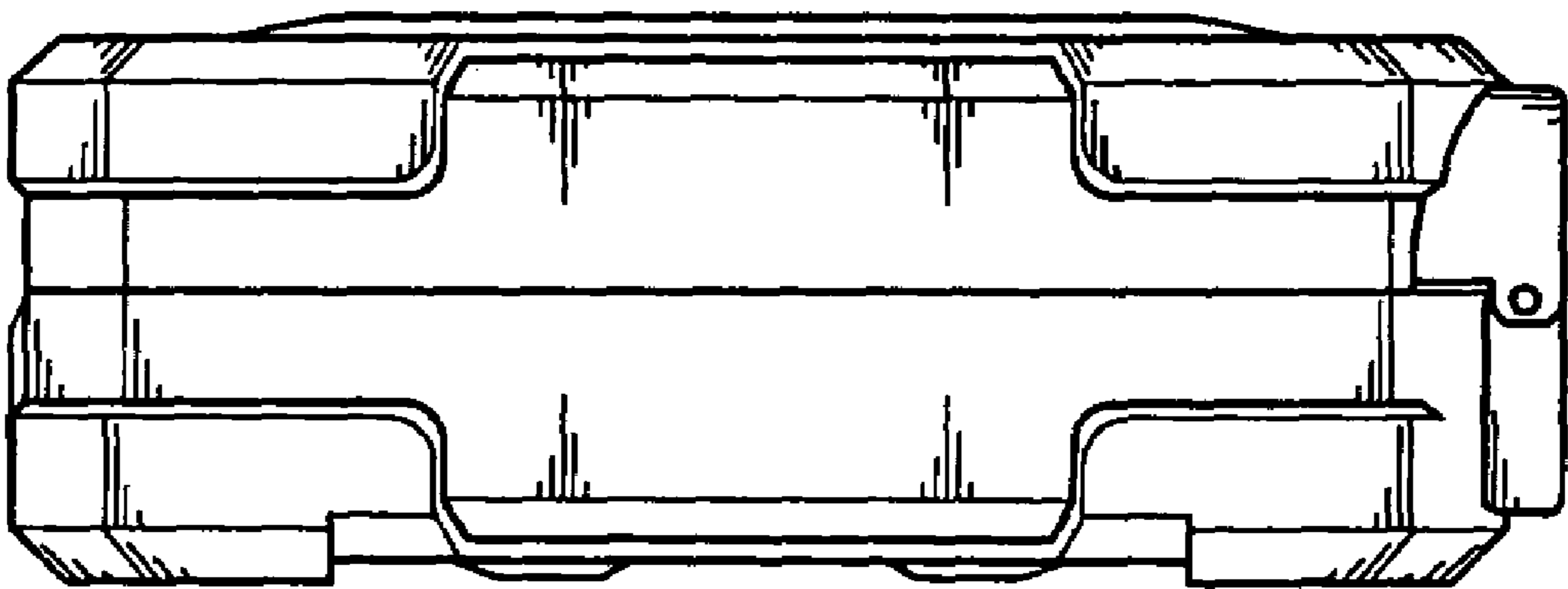


FIG. 7