

US00D548966S

(12) **United States Design Patent** (10) **Patent No.:** **US D548,966 S**  
**Aliberti et al.** (45) **Date of Patent:** **\*\* Aug. 21, 2007**

(54) **BAG**

(75) Inventors: **David A. Aliberti**, Verona, PA (US);  
**Elizabeth Tracy**, Pittsburgh, PA (US);  
**Thomas J. Africa**, Lebanon, OH (US);  
**Aaron A. Cornaby**, New Albany, OH (US);  
**Linda Morgan**, Oakmont, PA (US);  
**Jeff Stewart**, Pittsburgh, PA (US);  
**Raluca A. Vescan**, Pittsburgh, PA (US)

(73) Assignee: **Leedsworld, Inc.**, New Kensington, PA (US)

(\*\*) Term: **14 Years**

(21) Appl. No.: **29/248,085**

(22) Filed: **Jul. 27, 2006**

(51) **LOC (8) Cl.** ..... **03-01**

(52) **U.S. Cl.** ..... **D3/283; D3/289**

(58) **Field of Classification Search** ..... D3/254-255,  
D3/273, 276, 283, 286-287, 289, 293, 301,  
D3/904; 190/18 A, 100, 102, 106, 108, 111-114,  
190/119, 900, 903

See application file for complete search history.

(56) **References Cited**

**U.S. PATENT DOCUMENTS**

D264,146 S \* 5/1982 Davis ..... D3/287  
D281,649 S \* 12/1985 Bomes et al. .... D3/287  
4,561,525 A \* 12/1985 Shidner ..... 190/106  
D285,748 S \* 9/1986 Feinberg et al. .... D3/286  
D286,229 S \* 10/1986 Knoepke et al. .... D3/286  
D317,081 S \* 5/1991 King ..... D3/287  
D323,429 S \* 1/1992 Wilson ..... D3/287  
5,413,199 A \* 5/1995 Clement ..... 190/108  
D361,662 S \* 8/1995 King et al. .... D3/276  
D362,548 S \* 9/1995 King et al. .... D3/301  
D368,160 S \* 3/1996 Carretta ..... D3/286

D416,680 S \* 11/1999 Latshaw ..... D3/286  
D447,667 S \* 9/2001 Schneider et al. .... D7/607  
D463,119 S \* 9/2002 Kawai ..... D3/289  
D481,540 S \* 11/2003 Van Himbeek ..... D3/289  
D509,360 S \* 9/2005 Cassegrain ..... D3/289  
2005/0034947 A1 \* 2/2005 Nykoluk ..... 190/18 A  
2006/0137950 A1 \* 6/2006 Nassanian ..... 190/119

**OTHER PUBLICATIONS**

Neotec 20 Duffel. Downloaded Mar. 27, 2007 at <http://www.leedsworld.com/products/item.asp?productnumber=1900-80>. This article, believed to be the claimed design, is cited as general reference only, not as prior art.\*

\* cited by examiner

*Primary Examiner*—Philip S. Hyder

*Assistant Examiner*—RoseLynne (Ulm) Cody

(74) *Attorney, Agent, or Firm*—Wolf Block Schorr & Solis-Cohen LLP

(57) **CLAIM**

We claim the ornamental design for a bag, as shown and described.

**DESCRIPTION**

FIG. 1 is a perspective view of a bag showing our new design;

FIG. 2 is a front view of the bag showing our new design;

FIG. 3 is a rear view of the bag showing our new design;

FIG. 4 is a right side view of the bag showing our new design;

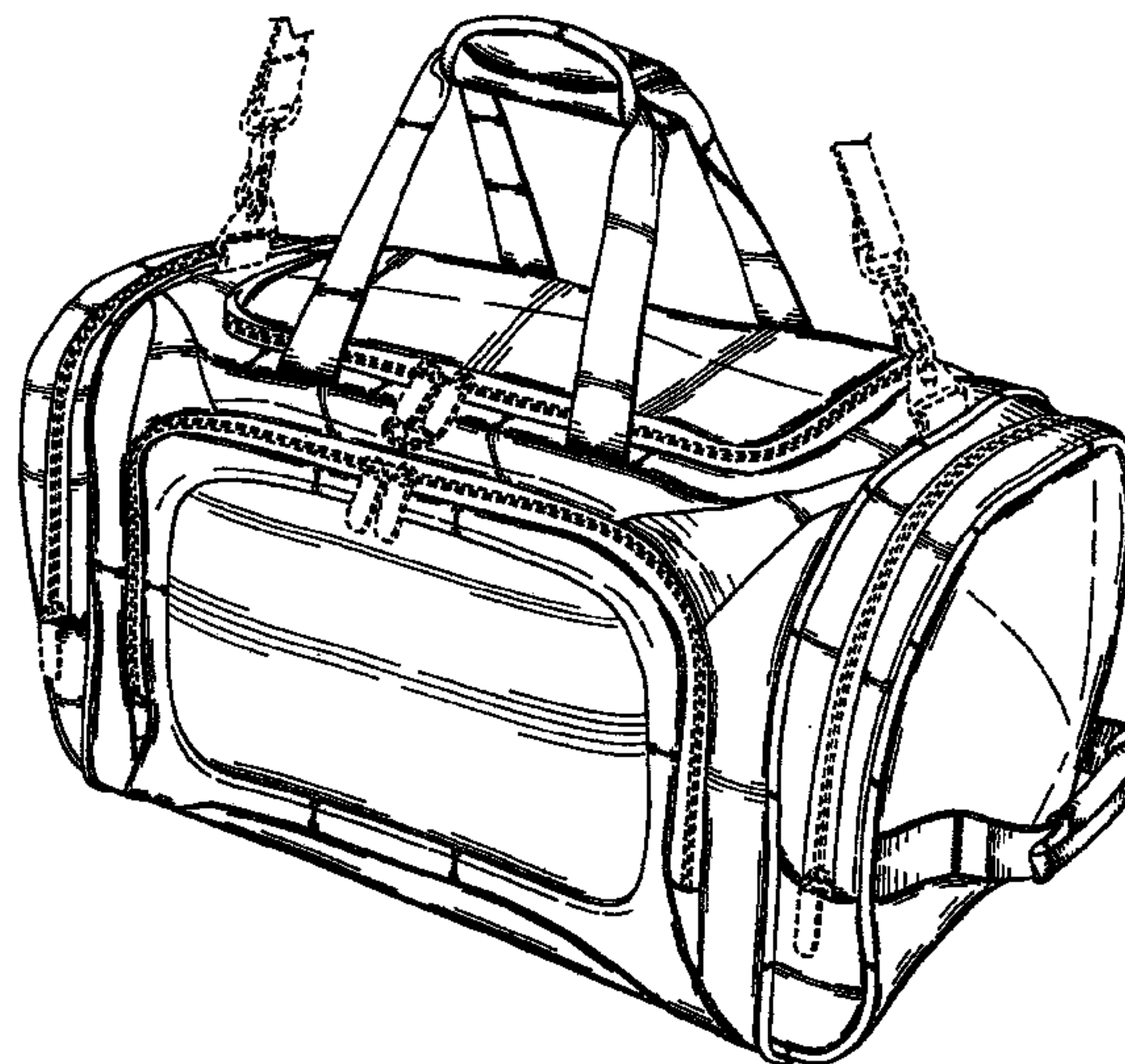
FIG. 5 is a left side view of the bag showing our new design;

FIG. 6 is a top view of the bag showing our new design; and,

FIG. 7 is a bottom view of the bag showing our new design.

The broken lines of FIGS. 1-7 are for illustrative purposes only and form no part of the claimed design.

**1 Claim, 7 Drawing Sheets**



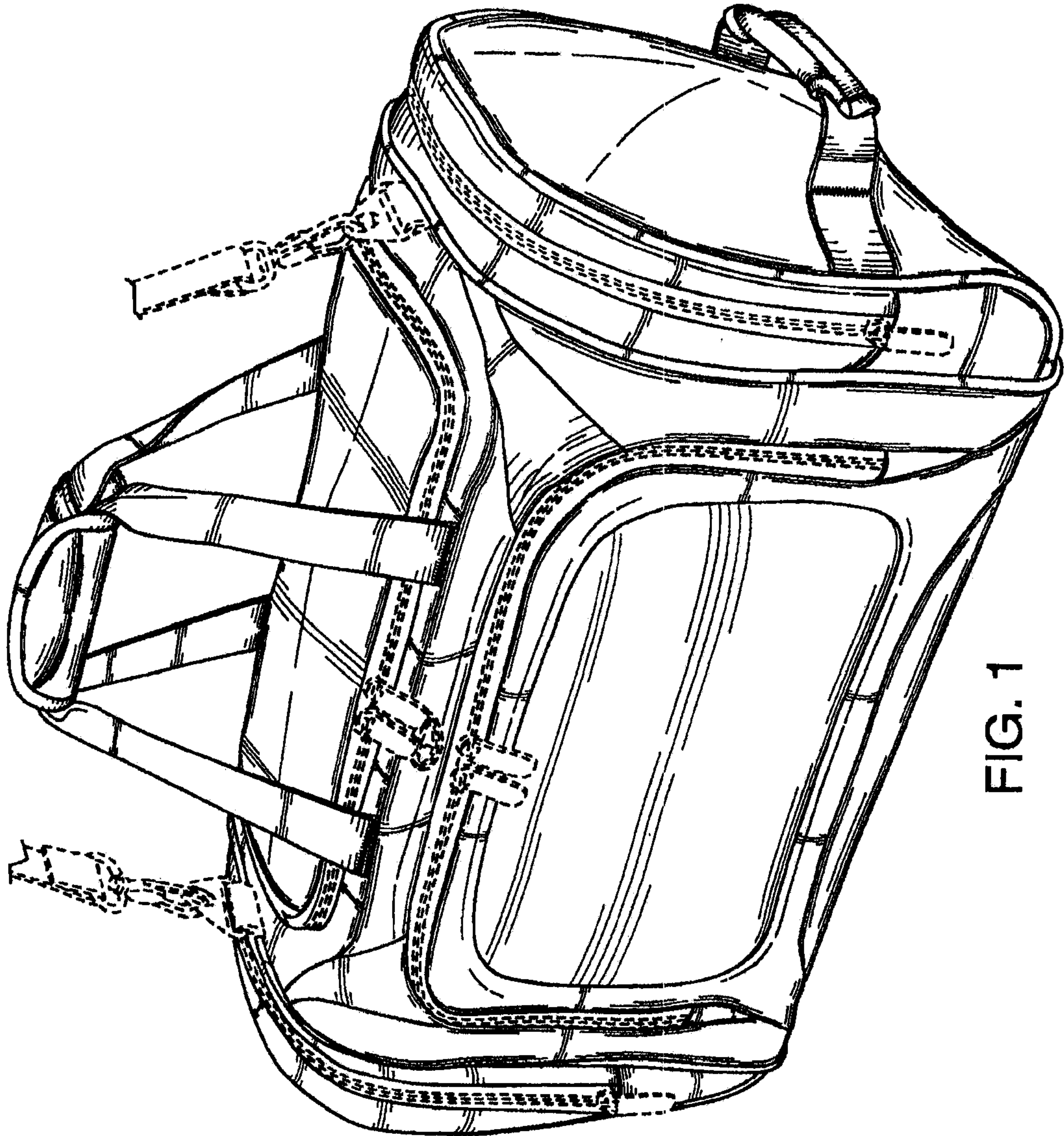


FIG. 1



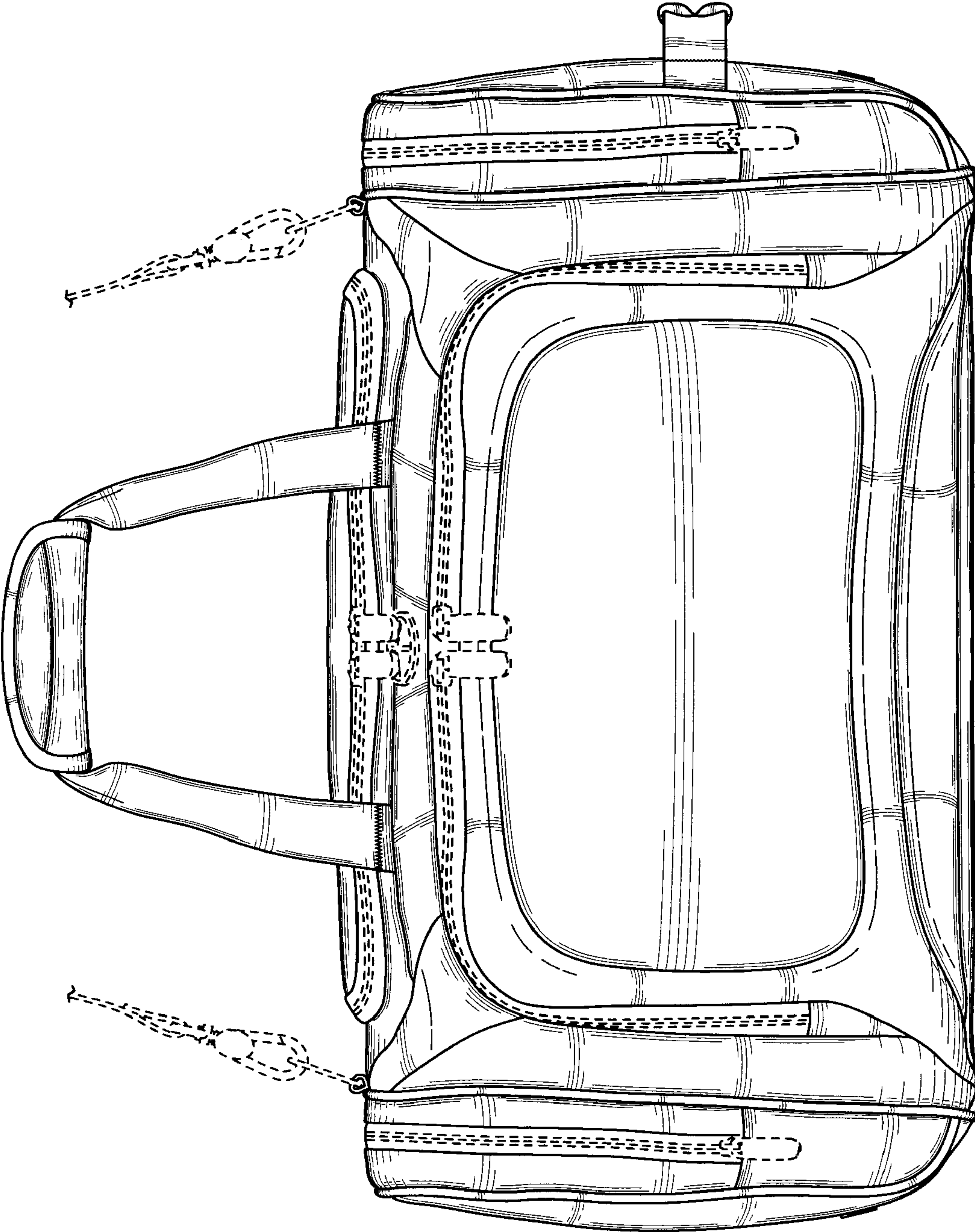


FIG. 2

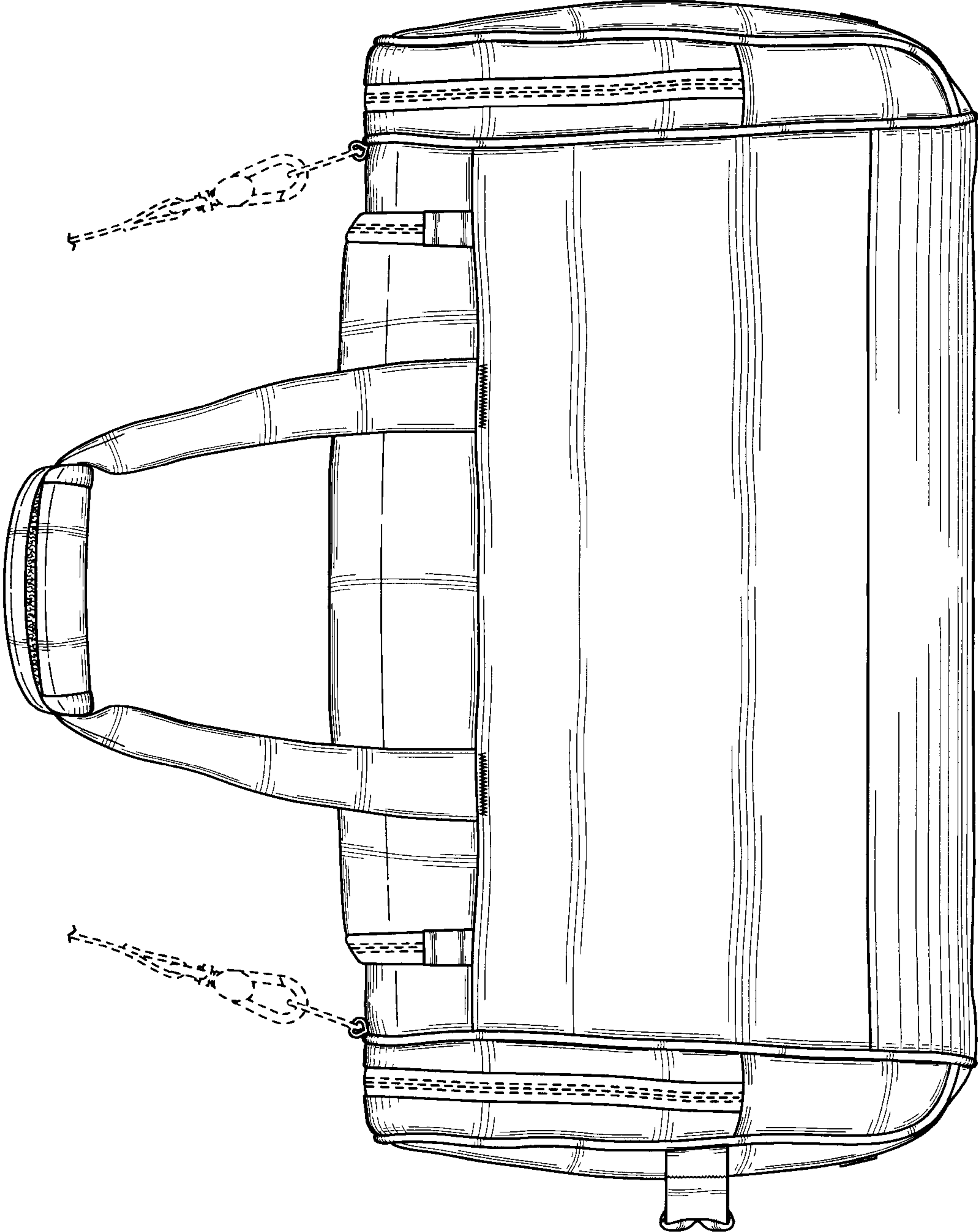


FIG. 3

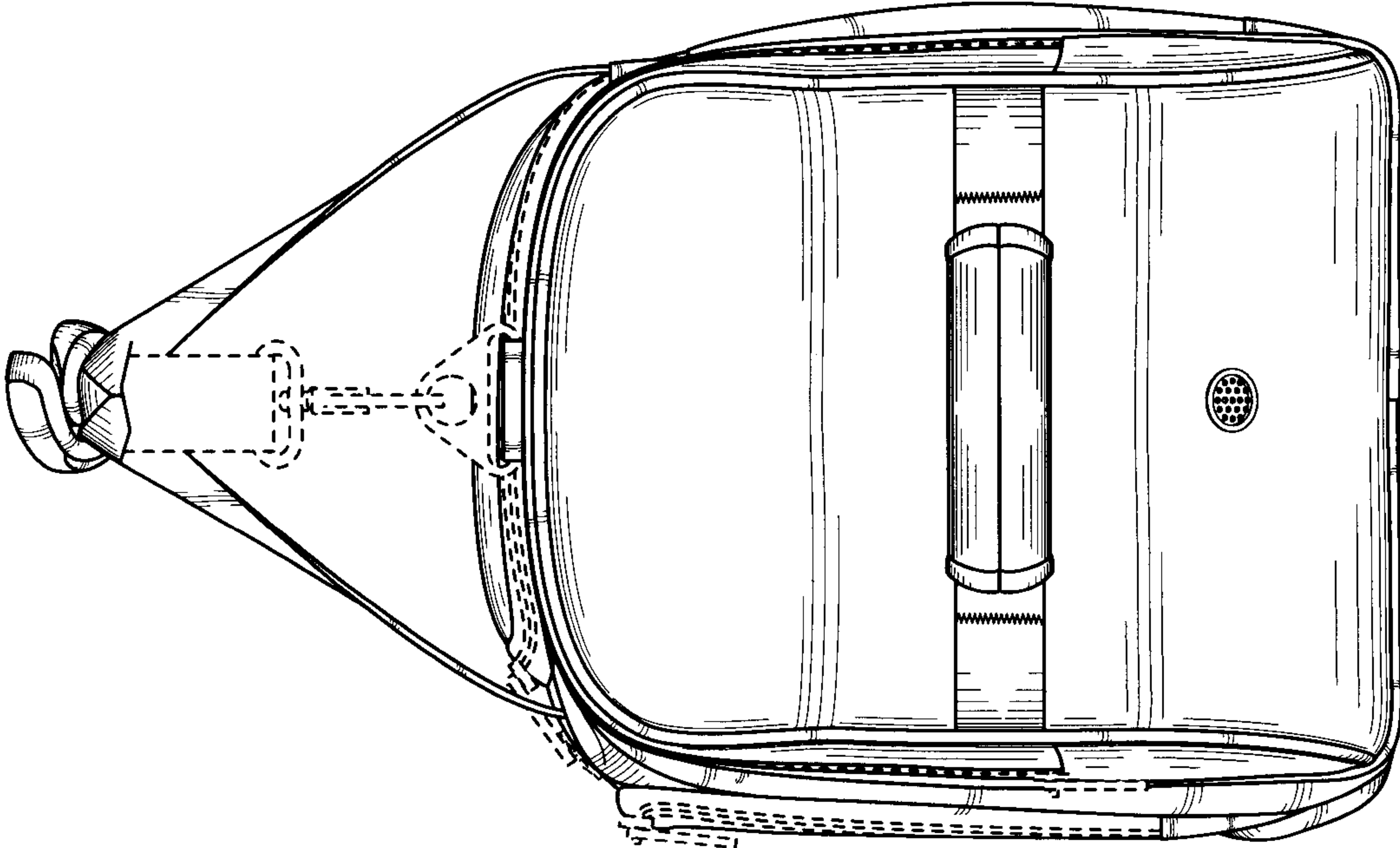


FIG. 4

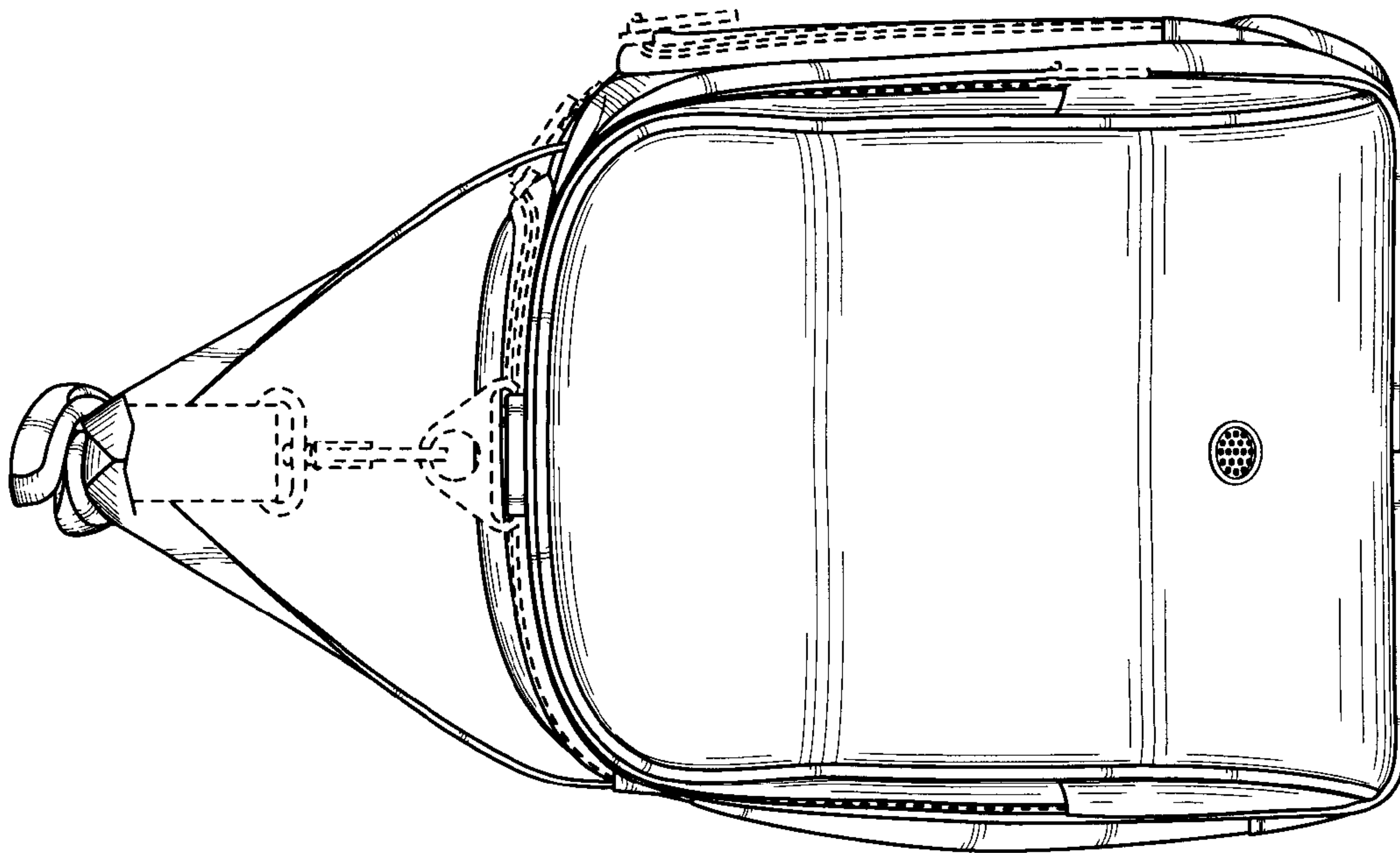


FIG. 5

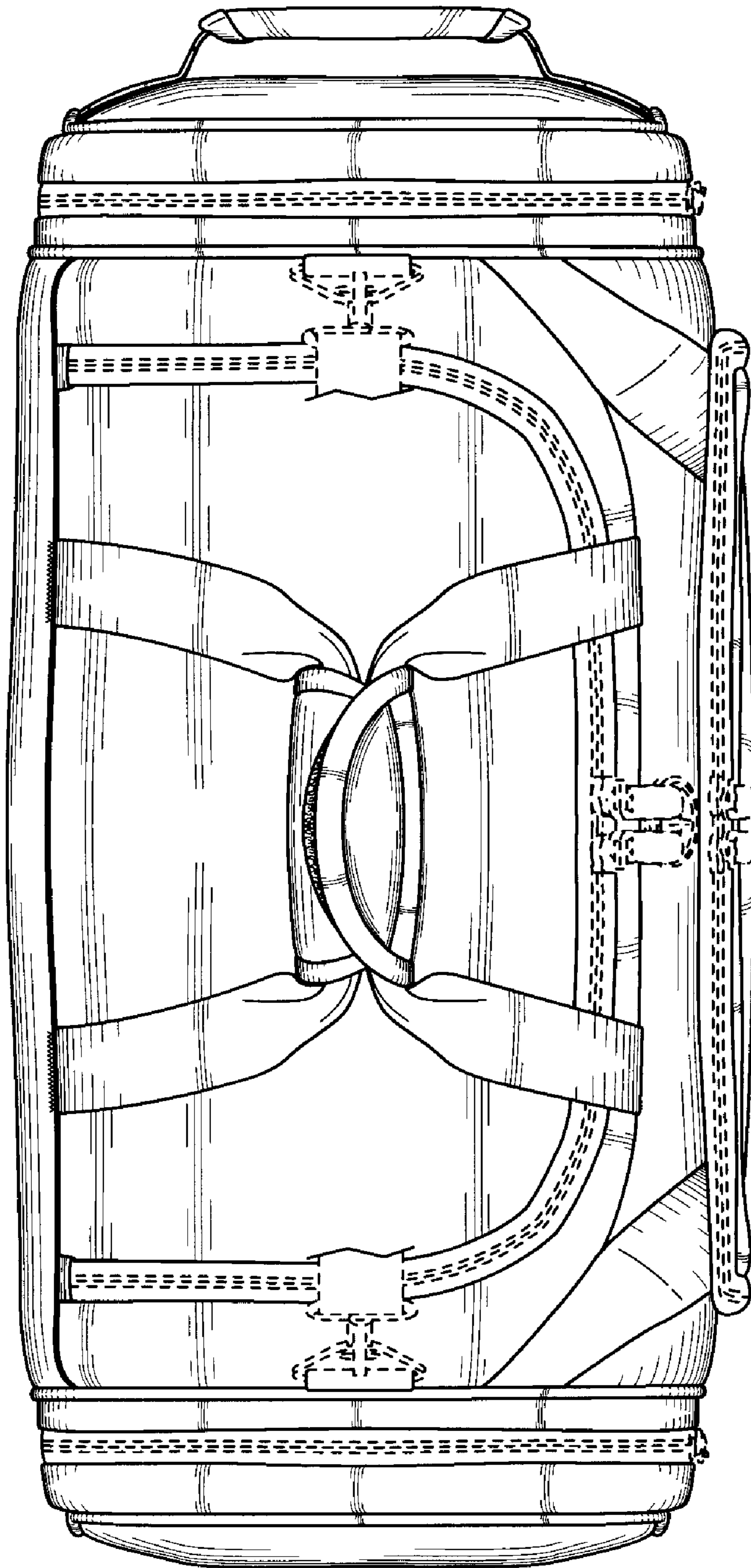


FIG. 6



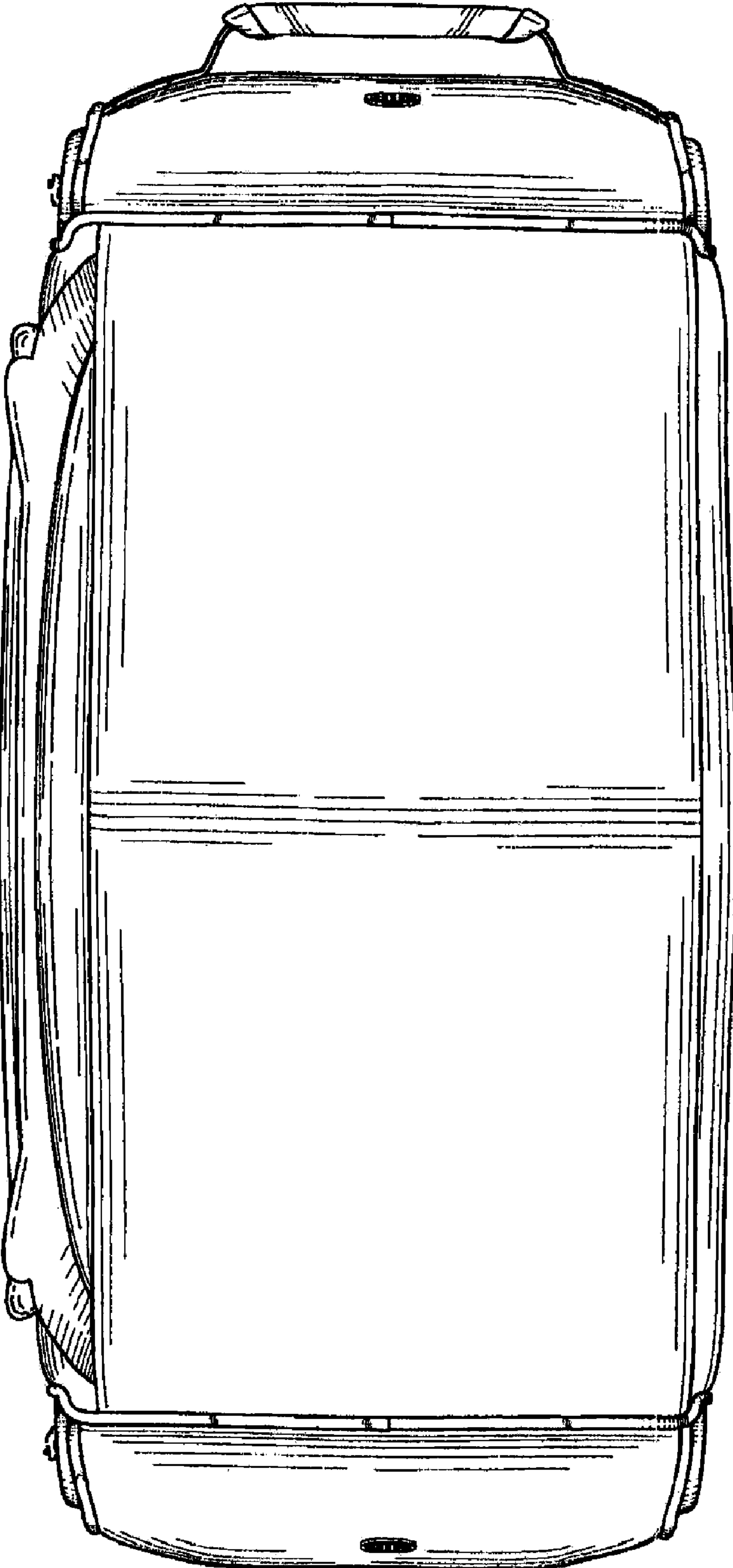


FIG. 7