



US00D548965S

(12) **United States Design Patent** (10) **Patent No.:** **US D548,965 S**
Aliberti et al. (45) **Date of Patent:** **** Aug. 21, 2007**

(54) **BAG**

(75) Inventors: **David A. Aliberti**, Verona, PA (US);
Elizabeth Tracy, Pittsburgh, PA (US);
Thomas J. Africa, Lebanon, OH (US);
Aaron A. Cornaby, New Albany, OH
(US); **Linda Morgan**, Oakmont, PA
(US); **Jeff Stewart**, Pittsburgh, PA
(US); **Raluca A. Vescan**, Pittsburgh, PA
(US)

(73) Assignee: **Leedsworld, Inc.**, New Kensington, PA
(US)

(**) Term: **14 Years**

(21) Appl. No.: **29/248,069**

(22) Filed: **Jul. 27, 2006**

(51) **LOC (8) Cl.** **03-01**

(52) **U.S. Cl.** **D3/283; D3/289; D3/900**

(58) **Field of Classification Search** D3/273,
D3/276, 283, 287, 289, 293, 900; 190/100,
190/102, 108, 111-114, 119, 900, 903
See application file for complete search history.

(56) **References Cited**

U.S. PATENT DOCUMENTS

2,779,371	A	*	1/1957	Klehr	190/18 R
D281,645	S	*	12/1985	Bomes et al.	D3/287
D282,601	S	*	2/1986	Bomes et al.	D3/287
D315,827	S	*	4/1991	King	D3/287
D399,056	S	*	10/1998	Tawil	D3/283
D405,957	S	*	2/1999	Test	D3/289
6,099,140	A	*	8/2000	Norris	362/156
D441,533	S	*	5/2001	Tawil	D3/283
D445,252	S	*	7/2001	Klamm	D3/289
D459,884	S	*	7/2002	King	D3/276
D479,652	S	*	9/2003	Hassett	D3/301

D498,924	S	*	11/2004	Karl	D3/287
D505,012	S	*	5/2005	Godshaw et al.	D3/289
D535,100	S	*	1/2007	Suppangig	D3/283
2004/0045781	A1	*	3/2004	Scicluna et al.	190/110
2006/0012331	A1	*	1/2006	Gillette	320/107

OTHER PUBLICATIONS

Neotec Compu-Brief. Downloaded Mar. 27, 2007 at <http://www.leedsworld.com/products/item.asp?productnumber=1900-19>. This article, believed to be the claimed design, is cited as general reference only, not as prior art.*

* cited by examiner

Primary Examiner—Philip S. Hyder

Assistant Examiner—RoseLynne (Ulm) Cody

(74) *Attorney, Agent, or Firm*—Wolf Block Schorr & Solis-Cohen LLP

(57) **CLAIM**

We claim the ornamental design for a bag, as shown and described.

DESCRIPTION

FIG. 1 is a perspective view of a bag showing our new design;

FIG. 2 is a front view of the bag showing our new design;

FIG. 3 is a rear view of the bag showing our new design;

FIG. 4 is a right side view of the bag showing our new design;

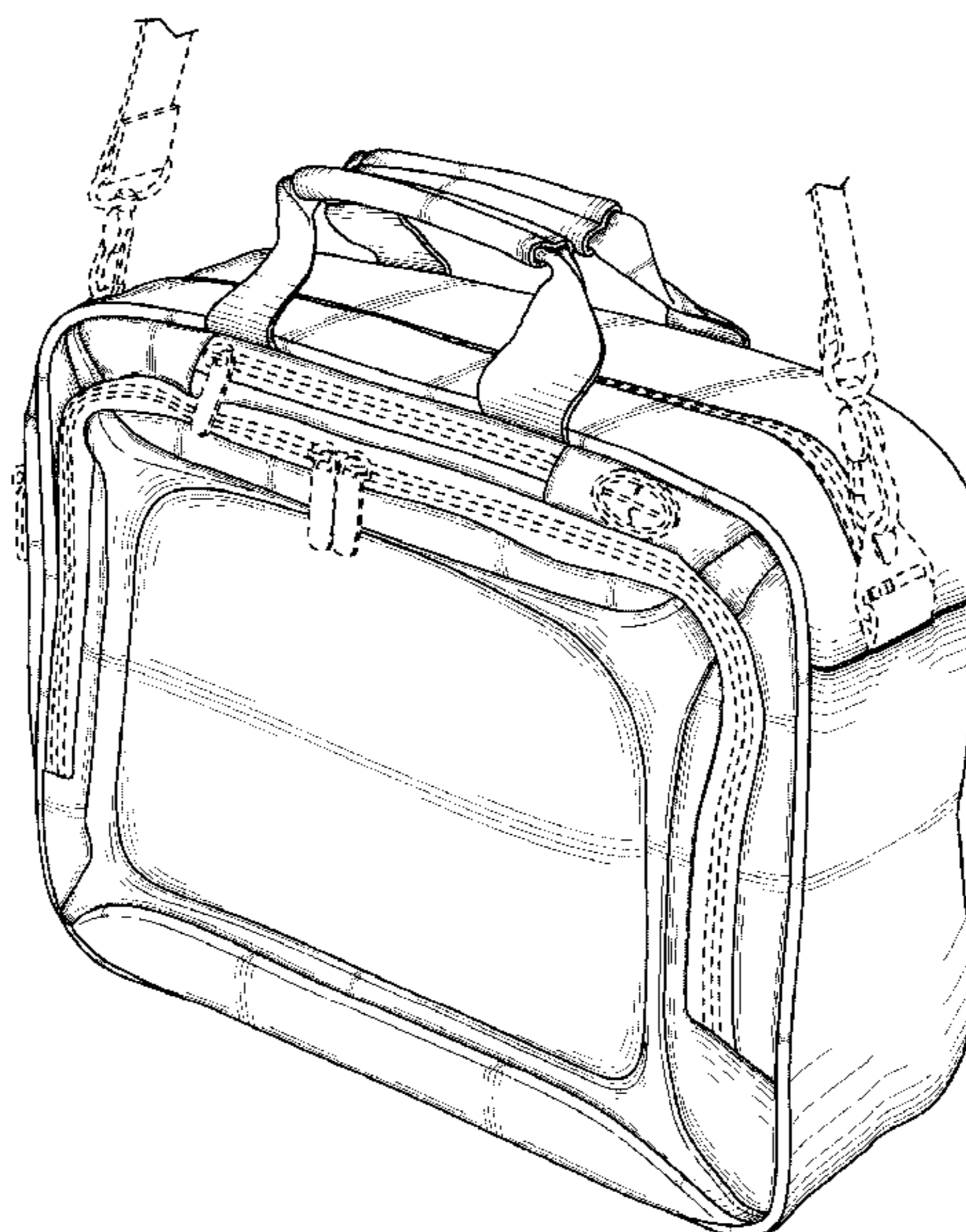
FIG. 5 is a left side view of the bag showing our new design;

FIG. 6 is a top view of the bag showing our new design; and,

FIG. 7 is a bottom view of the bag showing our new design.

The broken lines of FIGS. 1-7 are for illustrative purposes only and form no part of the claimed design.

1 Claim, 7 Drawing Sheets



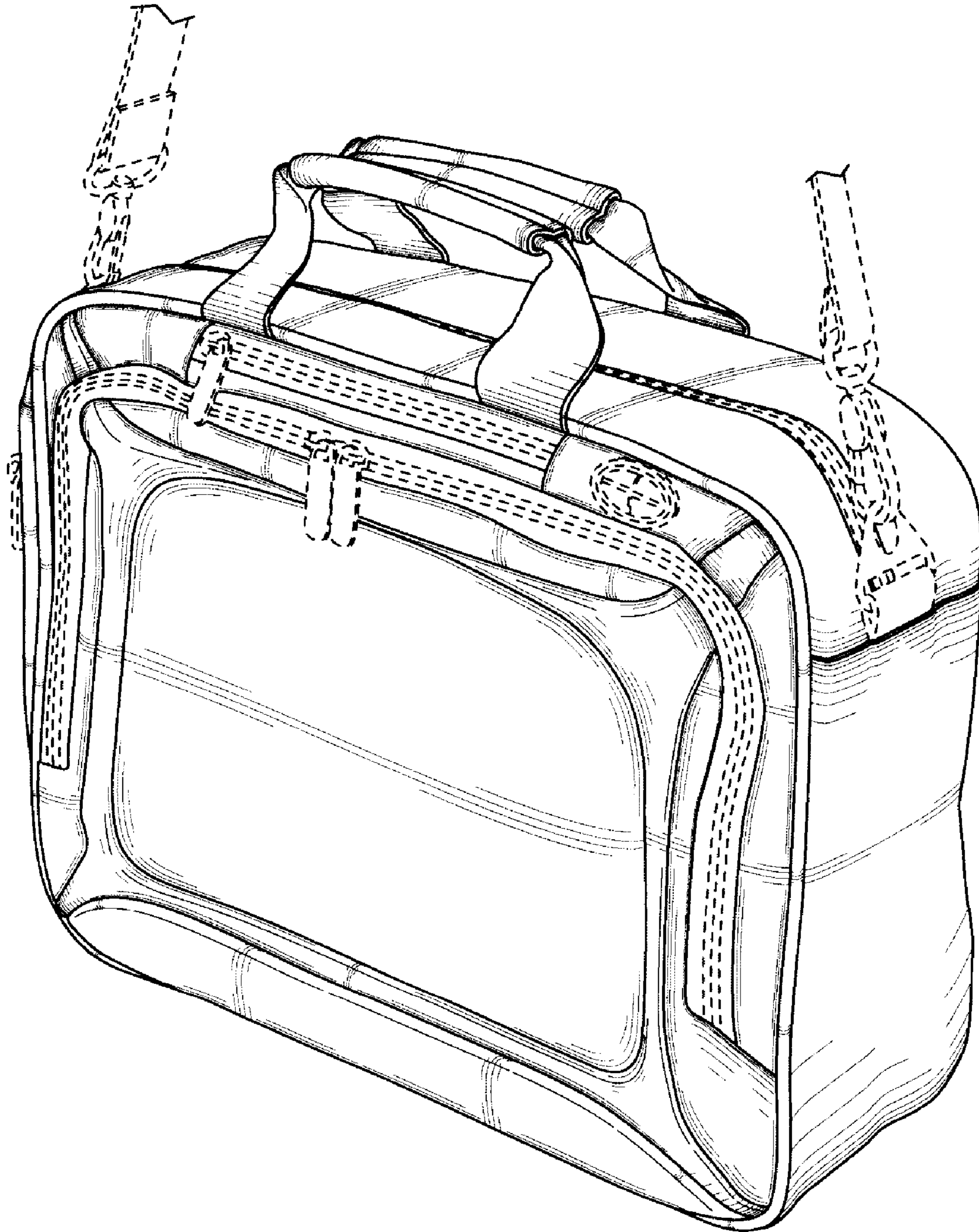


FIG. 1

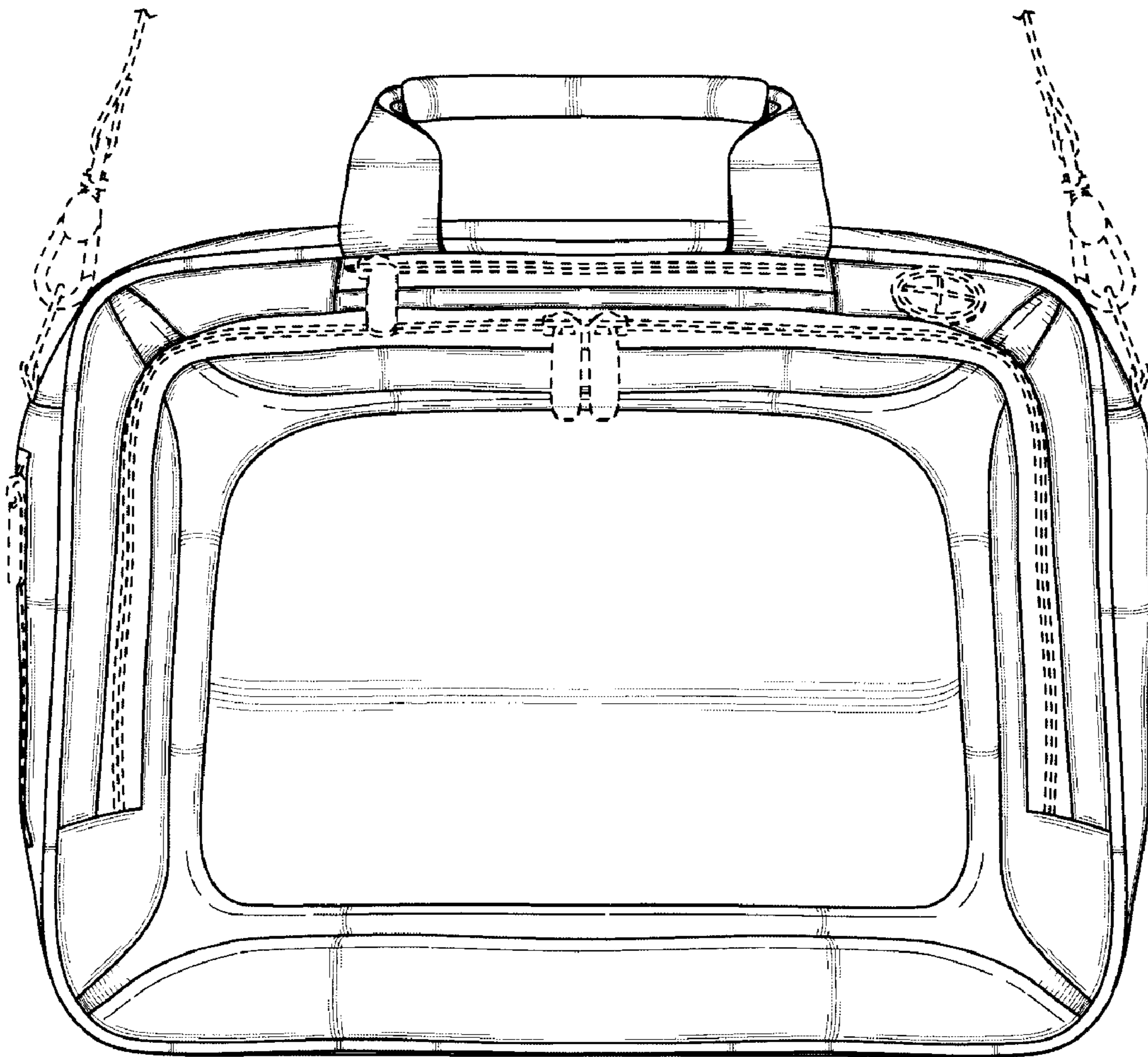


FIG. 2



FIG. 3

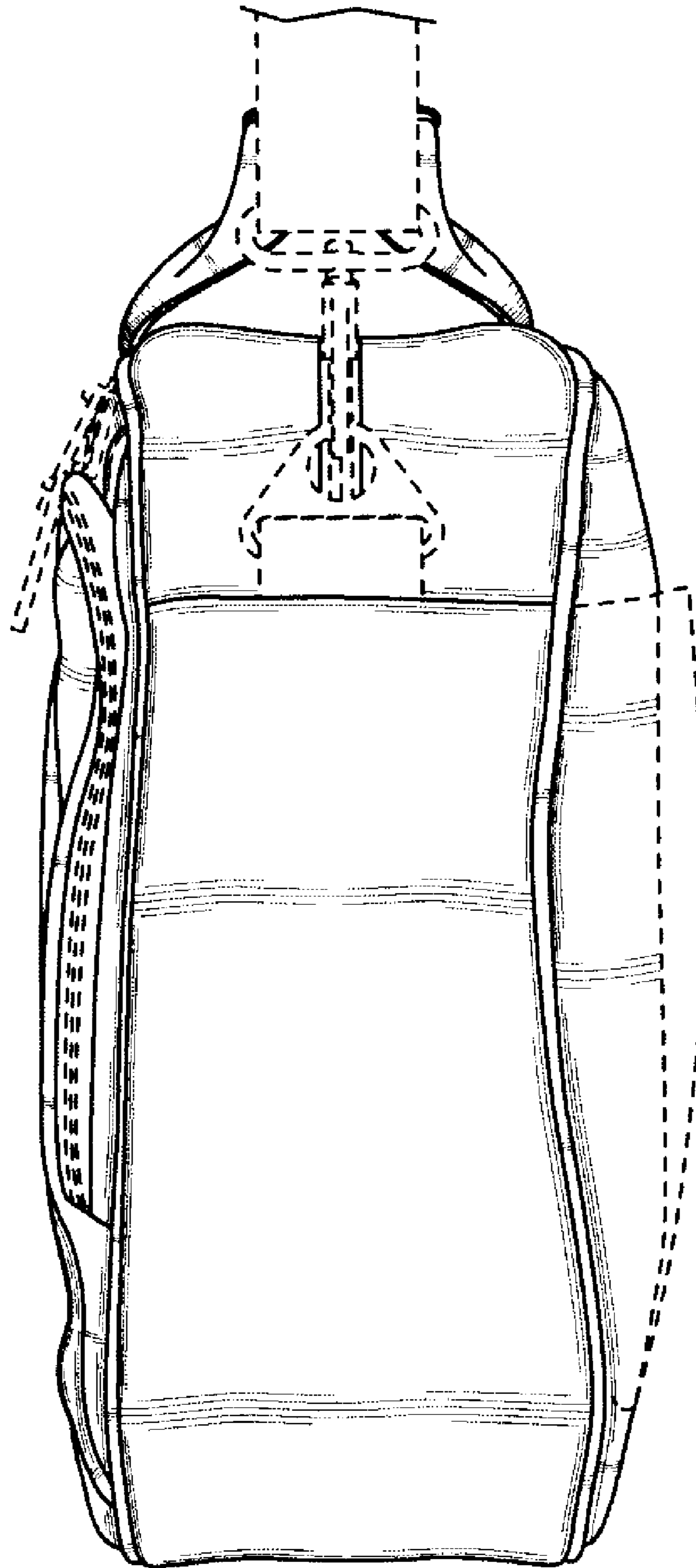


FIG. 4

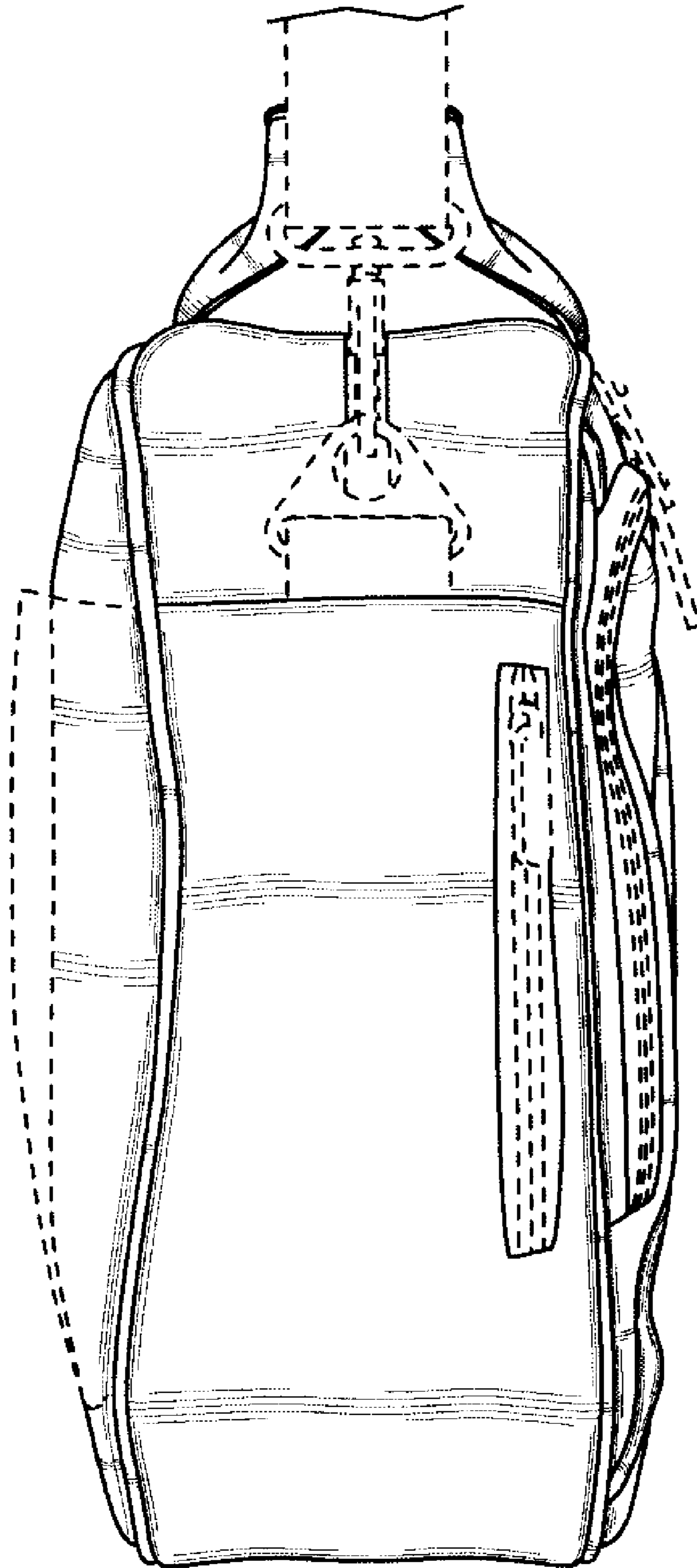


FIG. 5

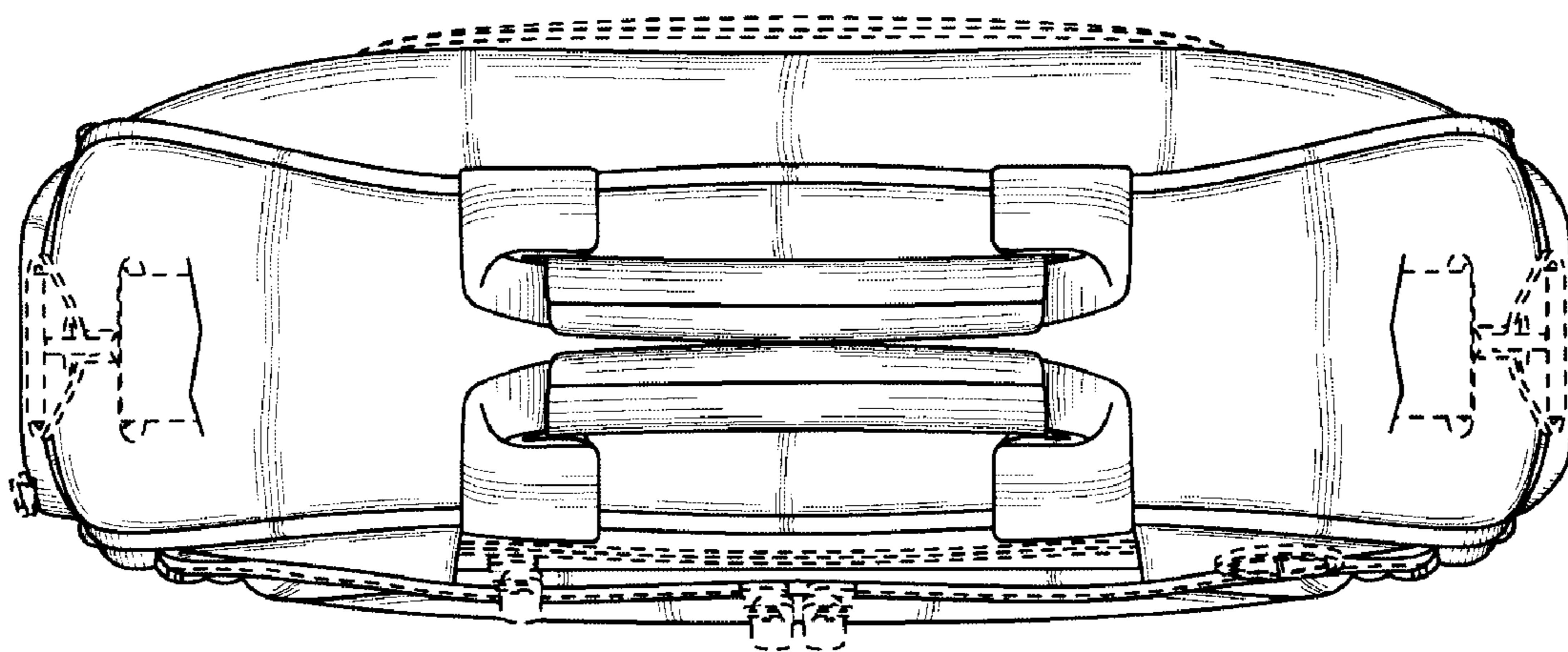


FIG. 6

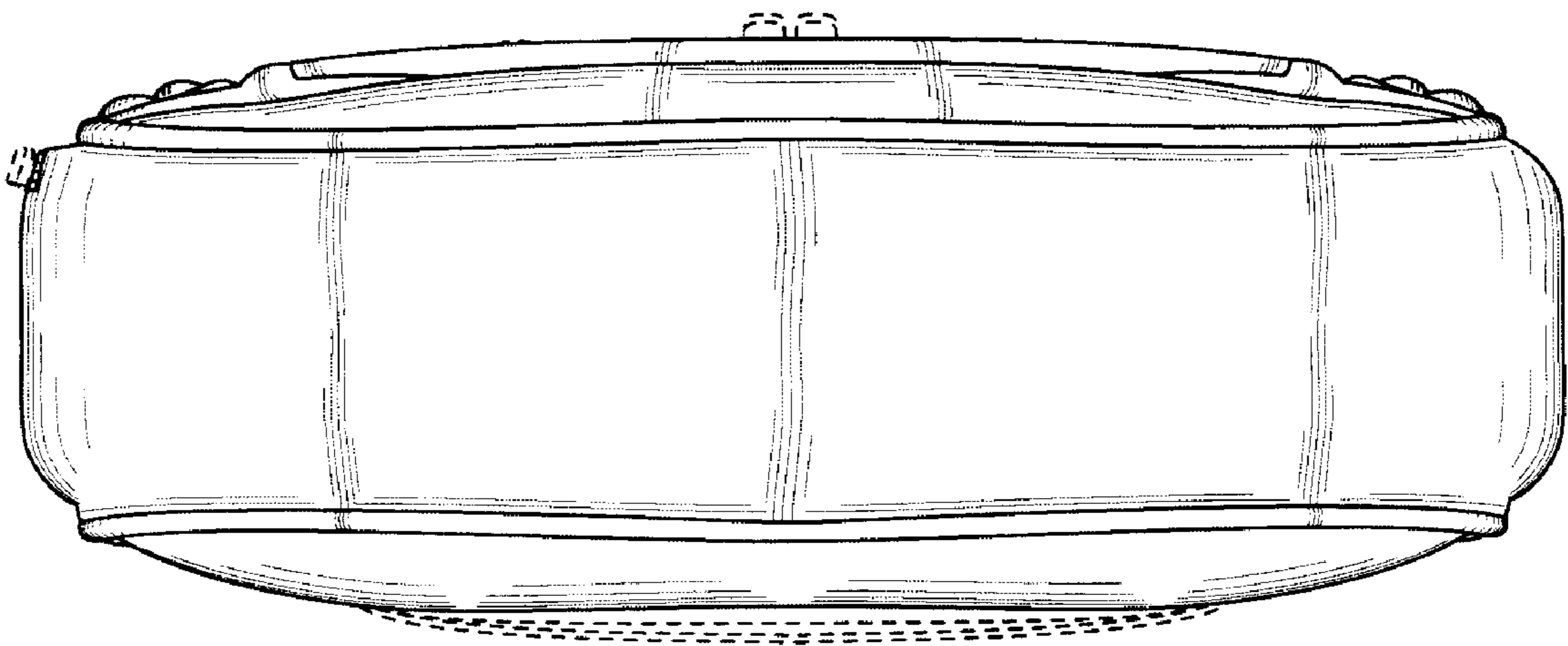


FIG. 7