



US00D548964S

(12) **United States Design Patent** (10) **Patent No.:** **US D548,964 S**  
**Aliberti et al.** (45) **Date of Patent:** **\*\* Aug. 21, 2007**

(54) **BAG**

(75) Inventors: **David A. Aliberti**, Verona, PA (US);  
**Elizabeth Tracy**, Pittsburgh, PA (US);  
**Thomas J. Africa**, Lebanon, OH (US);  
**Aaron A. Cornaby**, New Albany, OH (US);  
**Linda Morgan**, Oakmont, PA (US);  
**Jeff Stewart**, Pittsburgh, PA (US);  
**Raluca A. Vescan**, Pittsburgh, PA (US)

(73) Assignee: **Leedsworld, Inc.**, New Kensington, PA (US)

(\*\*) Term: **14 Years**

(21) Appl. No.: **29/248,030**

(22) Filed: **Jul. 26, 2006**

(51) **LOC (8) Cl.** ..... **03-01**

(52) **U.S. Cl.** ..... **D3/283; D3/290; D3/900**

(58) **Field of Classification Search** ..... D3/273,  
D3/276, 278, 283, 287, 289–290, 293, 299,  
D3/900; 190/100, 102, 108, 111–114, 119,  
190/900, 903

See application file for complete search history.

(56) **References Cited**

U.S. PATENT DOCUMENTS

D312,353 S \* 11/1990 Kim ..... D3/278  
D320,115 S \* 9/1991 King ..... D3/278  
5,160,001 A \* 11/1992 Marceau ..... 190/102  
D360,978 S \* 8/1995 Willard et al. .... D3/301  
D368,370 S \* 4/1996 Tawil ..... D3/276  
D369,024 S \* 4/1996 King et al. .... D3/283  
D380,612 S \* 7/1997 Kelley et al. .... D3/289  
D401,063 S \* 11/1998 Yamamoto et al. .... D3/287

D416,681 S \* 11/1999 Imbert ..... D3/290  
D468,101 S \* 1/2003 Hassett ..... D3/263  
D498,924 S \* 11/2004 Karl ..... D3/287  
D522,749 S \* 6/2006 Tortorella et al. .... D3/299

OTHER PUBLICATIONS

Neotec Compu-Messenger Bag. Downloaded Mar. 27, 2007 at  
<http://www.leedsworld.com/products/item.asp-?productnumber=1900-54>. This article, believed to be the claimed design, is cited as general reference only, not as prior art.\*

\* cited by examiner

*Primary Examiner*—Philip S. Hyder

*Assistant Examiner*—RoseLynne (Ulm) Cody

(74) *Attorney, Agent, or Firm*—Wolf Block Schorr & Solis-Cohen LLP

(57) **CLAIM**

We claim the ornamental design for a bag, as shown and described.

**DESCRIPTION**

FIG. 1 is a perspective view of a bag showing our new design;

FIG. 2 is a front view of the bag showing our new design;

FIG. 3 is a rear view of the bag showing our new design;

FIG. 4 is a right side view of the bag showing our new design;

FIG. 5 is a left side view of the bag showing our new design;

FIG. 6 is a top view of the bag showing our new design; and,

FIG. 7 is a bottom view of the bag showing our new design.

The broken lines of FIGS. 1–7 are for illustrative purposes only and form no part of the claimed design.

**1 Claim, 7 Drawing Sheets**





FIG. 1

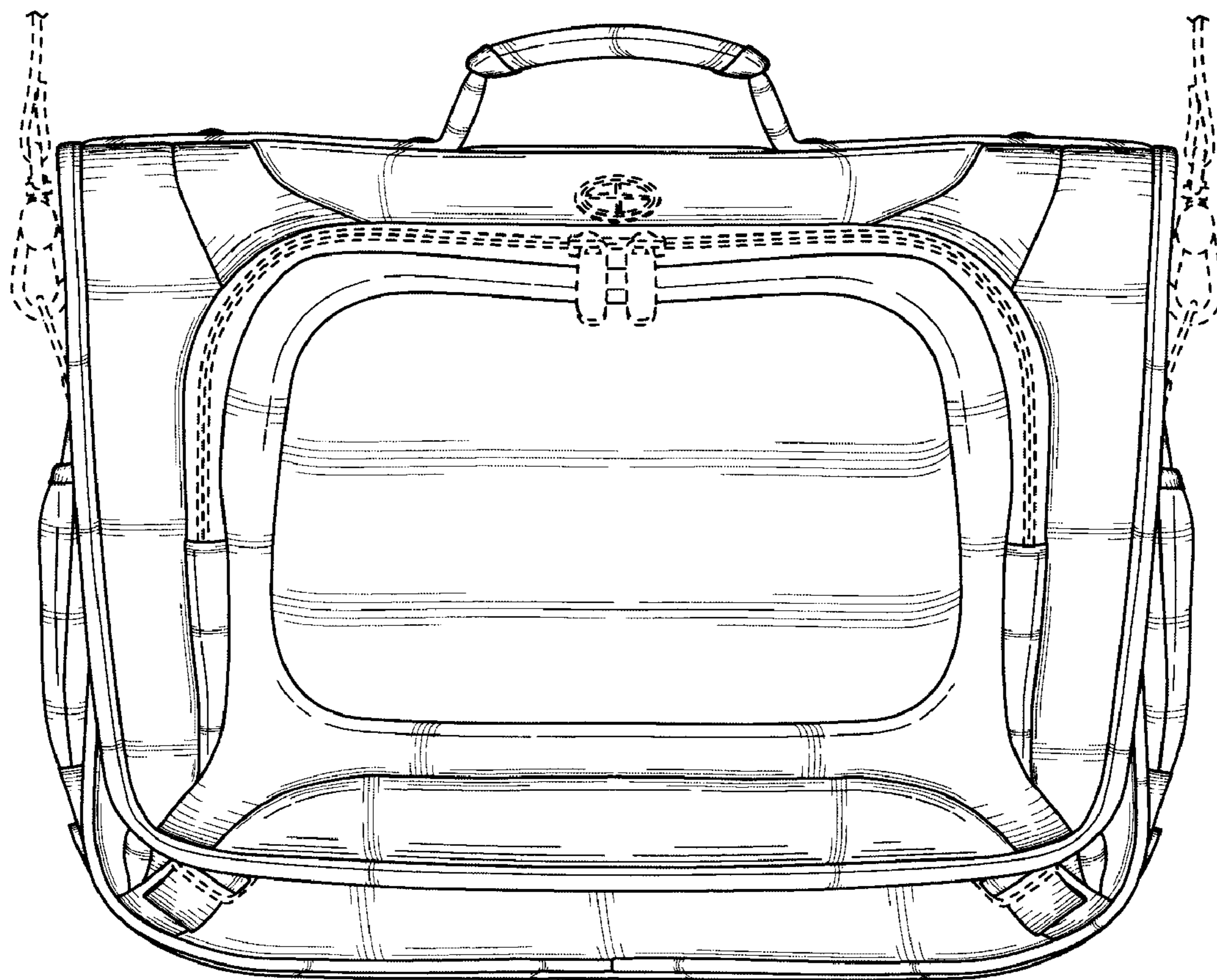


FIG. 2

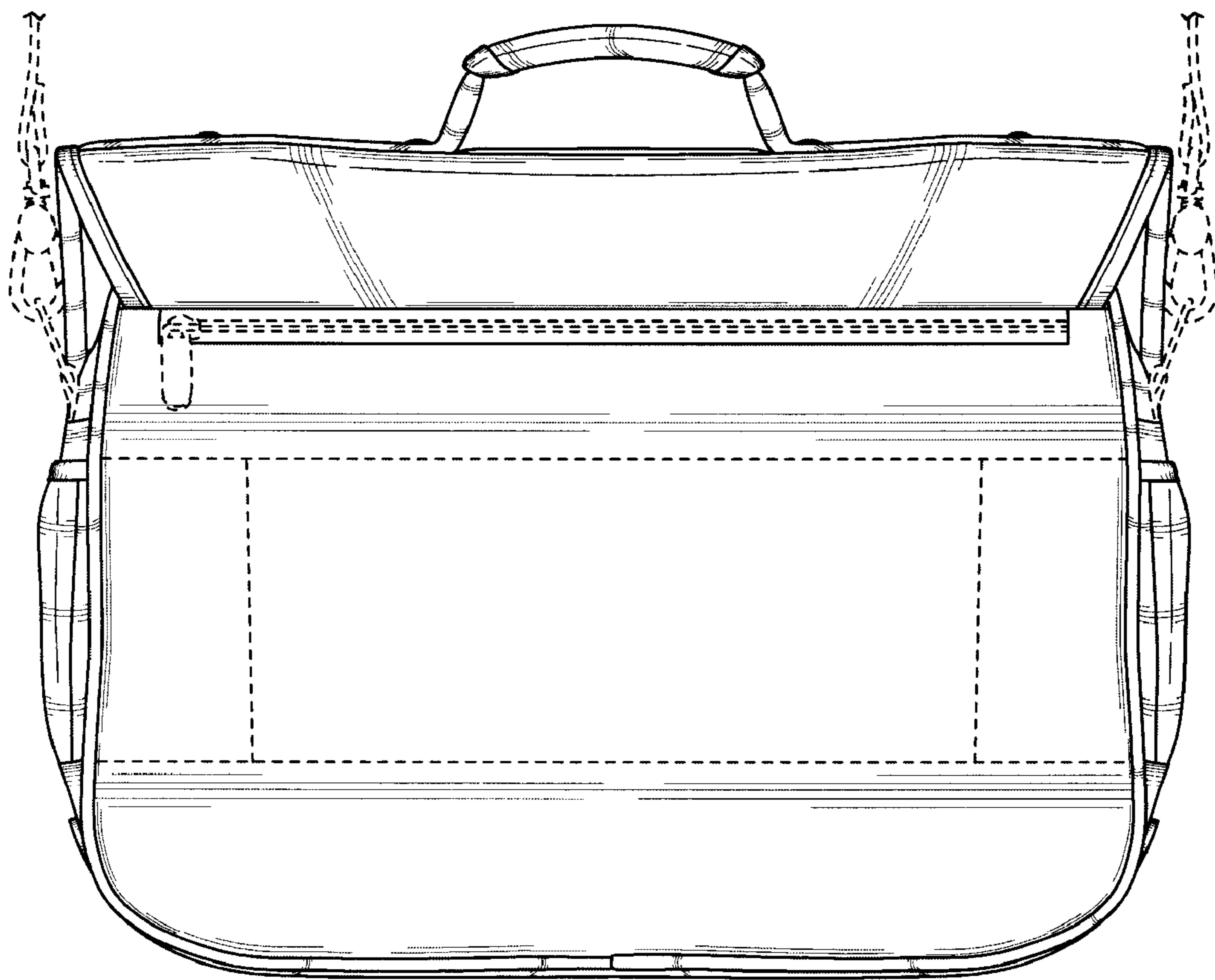


FIG. 3

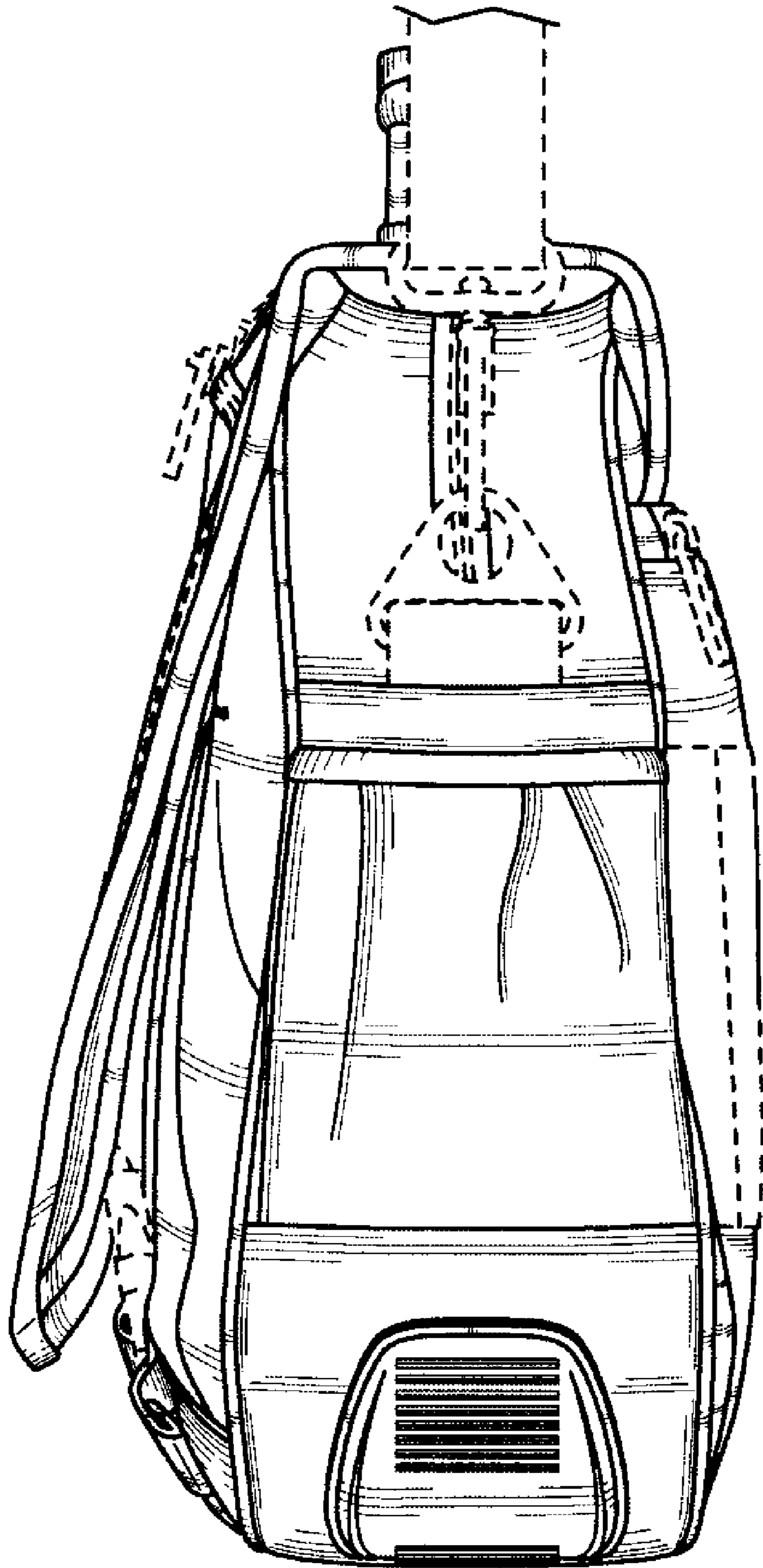


FIG. 4

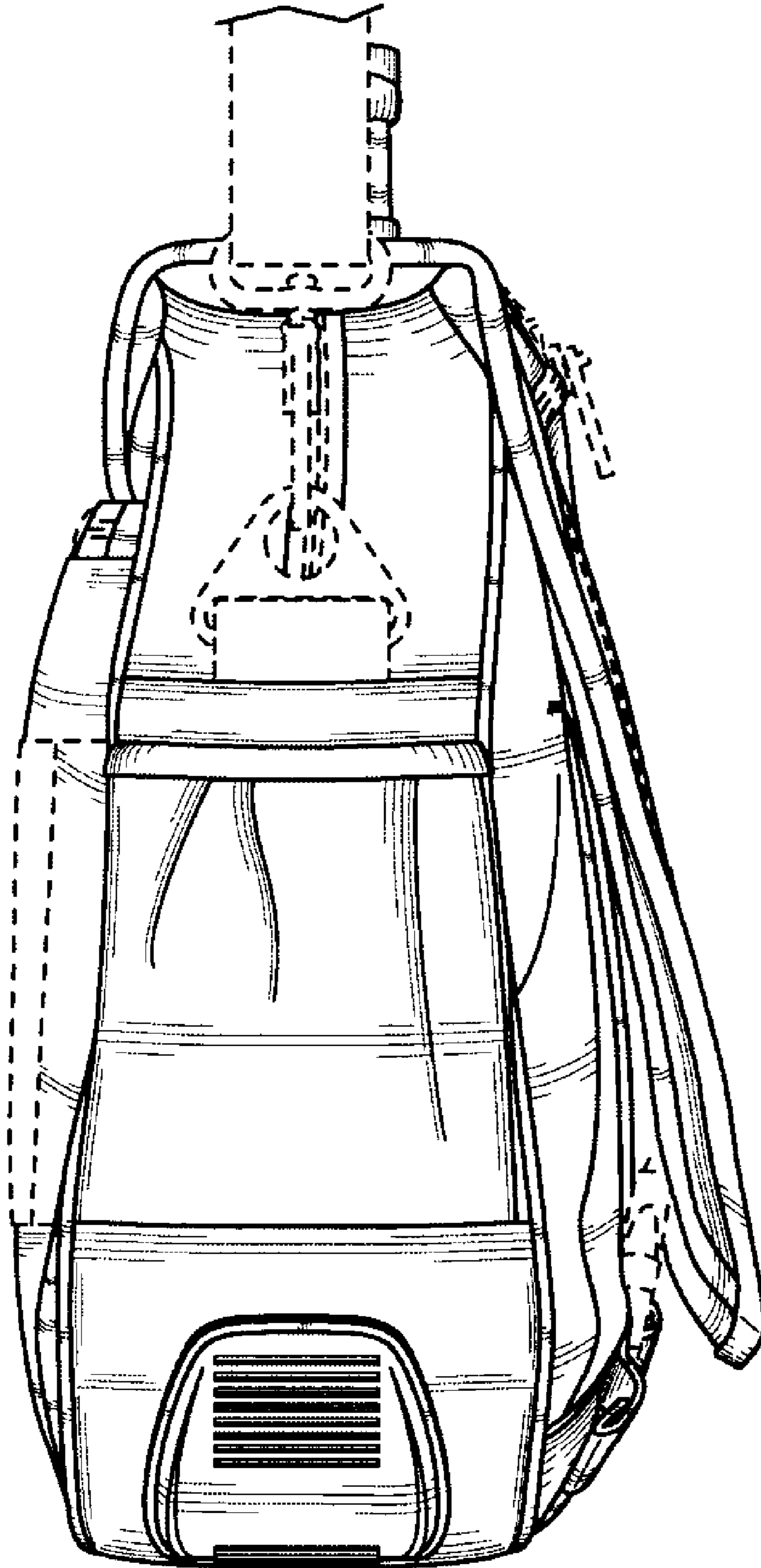


FIG. 5

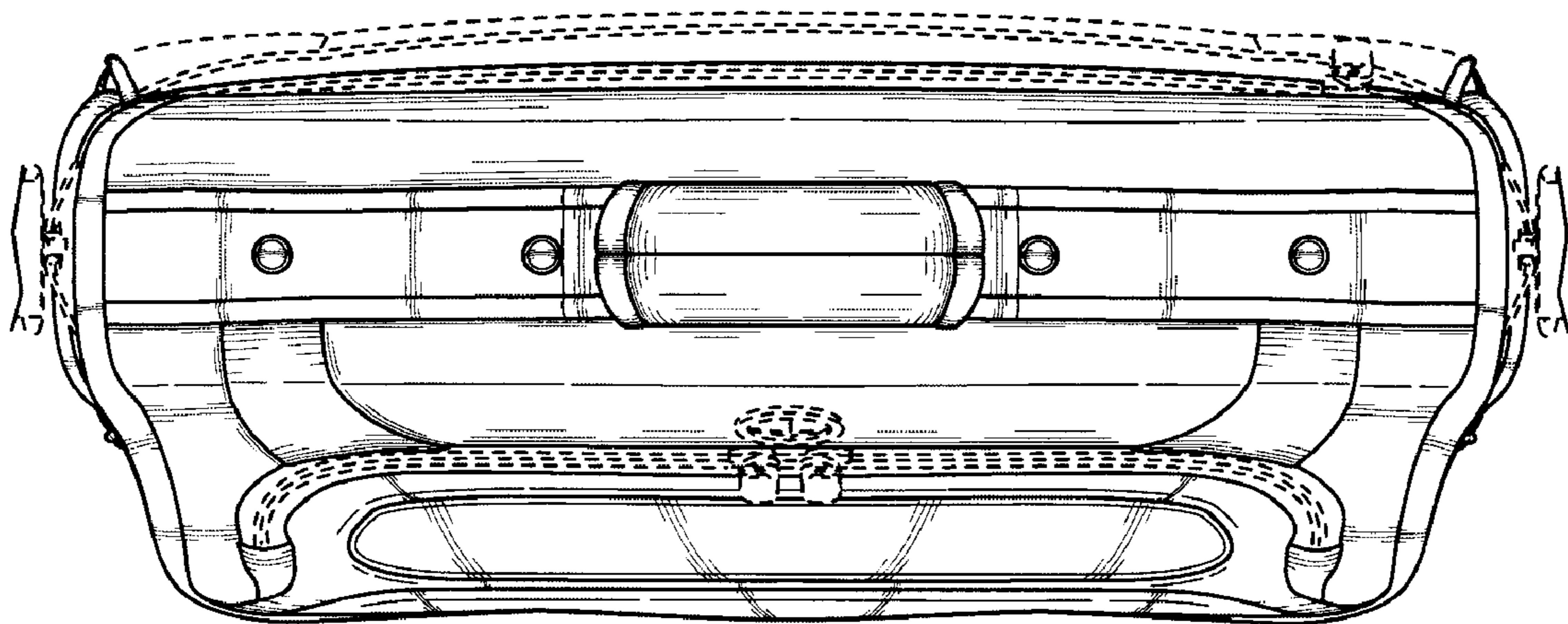


FIG. 6

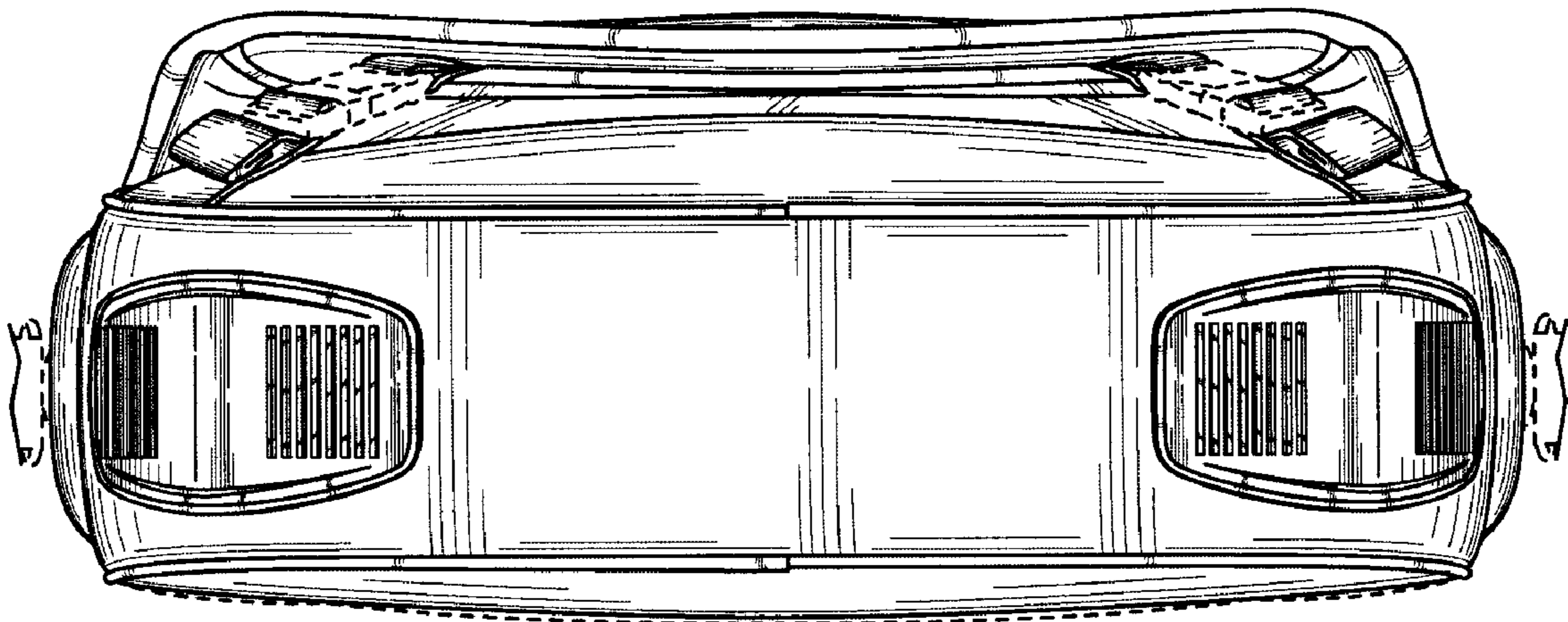


FIG. 7