

US00D548963S

(12) **United States Design Patent**
Aliberti et al.

(10) **Patent No.:** **US D548,963 S**

(45) **Date of Patent:** **** Aug. 21, 2007**

(54) **BAG**

(75) Inventors: **David A. Aliberti**, Verona, PA (US);
Elizabeth Tracy, Pittsburgh, PA (US);
Thomas J. Africa, Lebanon, OH (US);
Aaron A. Cornaby, New Albany, OH
(US); **Linda Morgan**, Oakmont, PA
(US); **Jeff Stewart**, Pittsburgh, PA
(US); **Raluca A. Vescan**, Pittsburgh, PA
(US)

(73) Assignee: **Leedsworld, Inc.**, New Kensington, PA
(US)

(**) Term: **14 Years**

(21) Appl. No.: **29/248,071**

(22) Filed: **Jul. 27, 2006**

(51) **LOC (8) Cl.** **03-01**

(52) **U.S. Cl.** **D3/279; D3/283; D3/289**

(58) **Field of Classification Search** D3/267–268,
D3/273, 276, 279, 283, 286–287, 289, 293,
D3/900, 902; 190/18 A, 100–102, 110–115,
190/124–127, 900

See application file for complete search history.

(56) **References Cited**

U.S. PATENT DOCUMENTS

| | | | | | | |
|-----------|----|---|---------|----------------|-------|----------|
| D277,618 | S | * | 2/1985 | Bomes et al. | | D3/287 |
| D282,508 | S | * | 2/1986 | Bomes et al. | | D3/287 |
| D282,601 | S | * | 2/1986 | Bomes et al. | | D3/287 |
| 5,522,487 | A | * | 6/1996 | Nordstrom | | 190/18 A |
| D455,262 | S | * | 4/2002 | Krulik | | D3/279 |
| D464,197 | S | * | 10/2002 | Kegels | | D3/289 |
| 6,460,668 | B1 | * | 10/2002 | Godshaw et al. | | 190/18 A |
| D477,461 | S | * | 7/2003 | Hillman | | D3/267 |
| 6,595,334 | B1 | * | 7/2003 | Saetia | | 190/18 A |

| | | | | | | |
|--------------|----|---|---------|----------------|-------|----------|
| D481,204 | S | * | 10/2003 | Rada | | D3/279 |
| 6,994,193 | B2 | * | 2/2006 | Saetia | | 190/18 A |
| 2004/0112697 | A1 | * | 6/2004 | Scicluna | | 190/110 |
| 2004/0163911 | A1 | * | 8/2004 | Godshaw et al. | | 190/18 A |
| 2005/0072643 | A1 | * | 4/2005 | Gormick et al. | | 190/111 |

OTHER PUBLICATIONS

Neotec Deluxe Wheeled Compu-Attache. Downloaded Mar. 27, 2007 at <http://www.leedsworld.com/products/item.asp?productnumber=1900-90>. This article, believed to be the claimed design, is cited as general reference only and not as prior art.*

* cited by examiner

Primary Examiner—Philip S. Hyder

Assistant Examiner—RoseLynne (Ulm) Cody

(74) *Attorney, Agent, or Firm*—Wolf Block Schorr & Solis-Cohen LLP

(57) **CLAIM**

We claim the ornamental design for a bag, as shown and described.

DESCRIPTION

FIG. 1 is a perspective view of a bag showing our new design;

FIG. 2 is a front view of the bag showing our new design;

FIG. 3 is a rear view of the bag showing our new design;

FIG. 4 is a right side view of the bag showing our new design;

FIG. 5 is a left side view of the bag showing our new design;

FIG. 6 is a top view of the bag showing our new design; and,

FIG. 7 is a bottom view of the bag showing our new design.

The broken lines of FIGS. 1–7 are for illustrative purposes only and form no part of the claimed design.

1 Claim, 7 Drawing Sheets

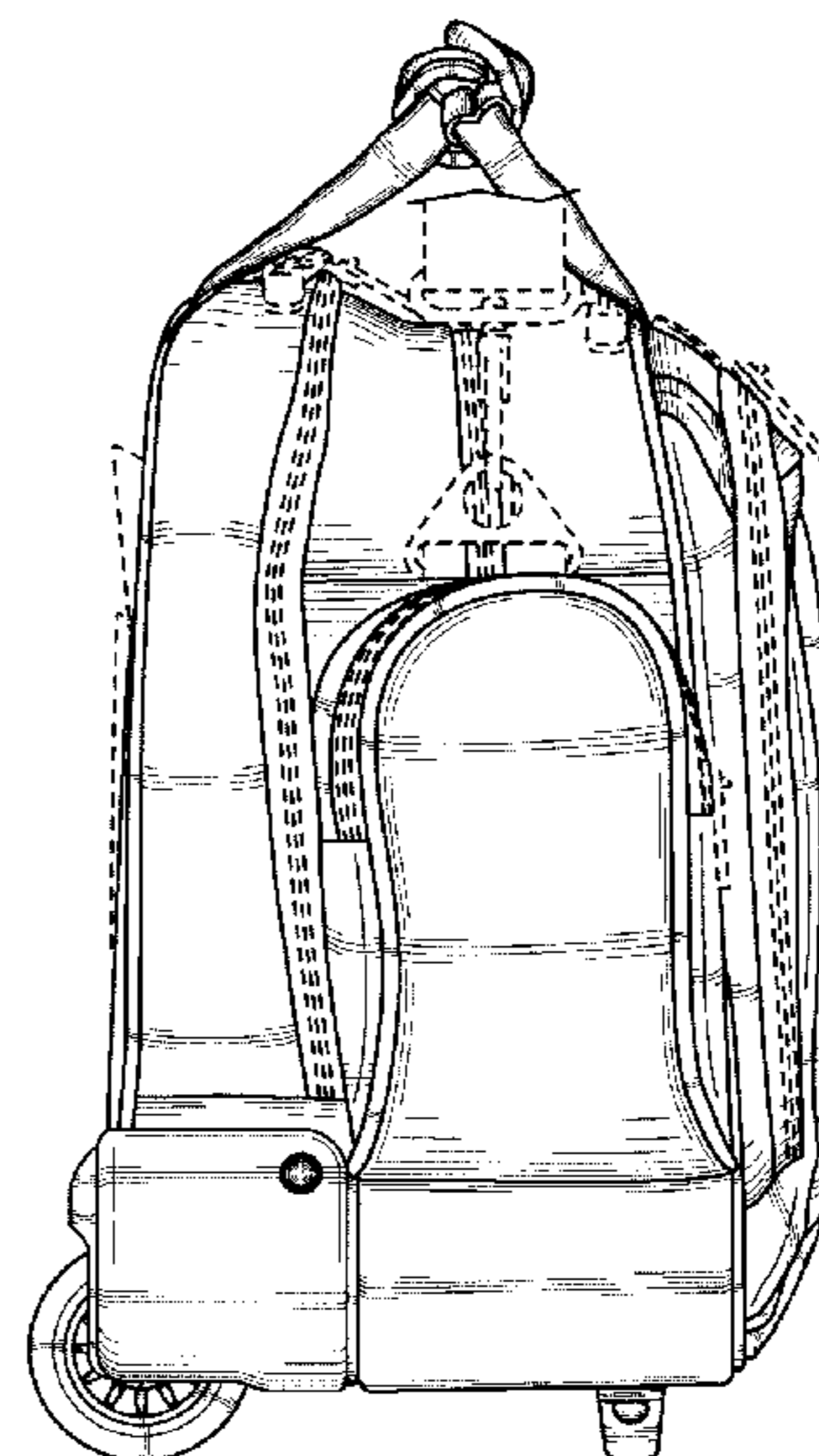
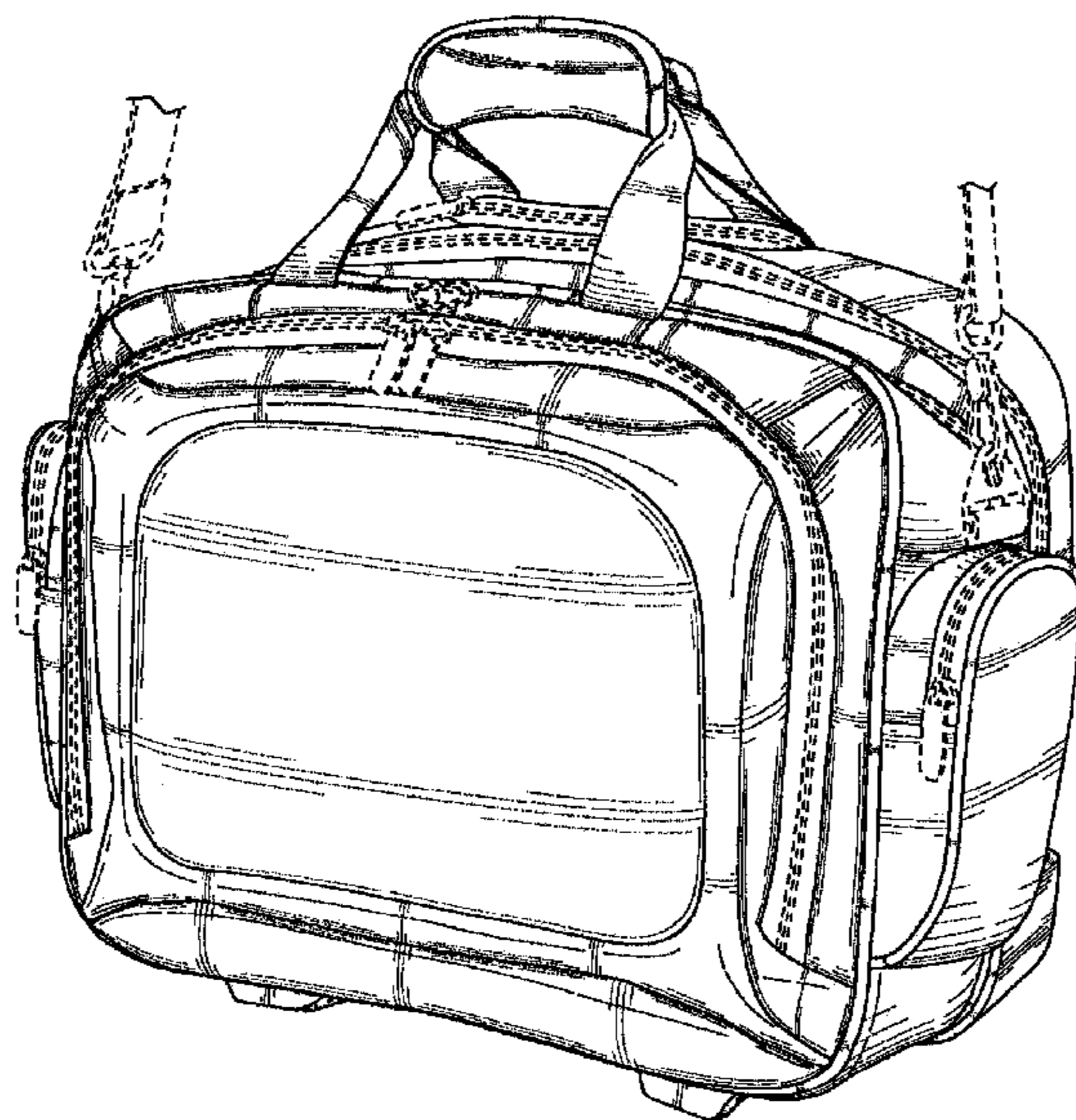




FIG. 1

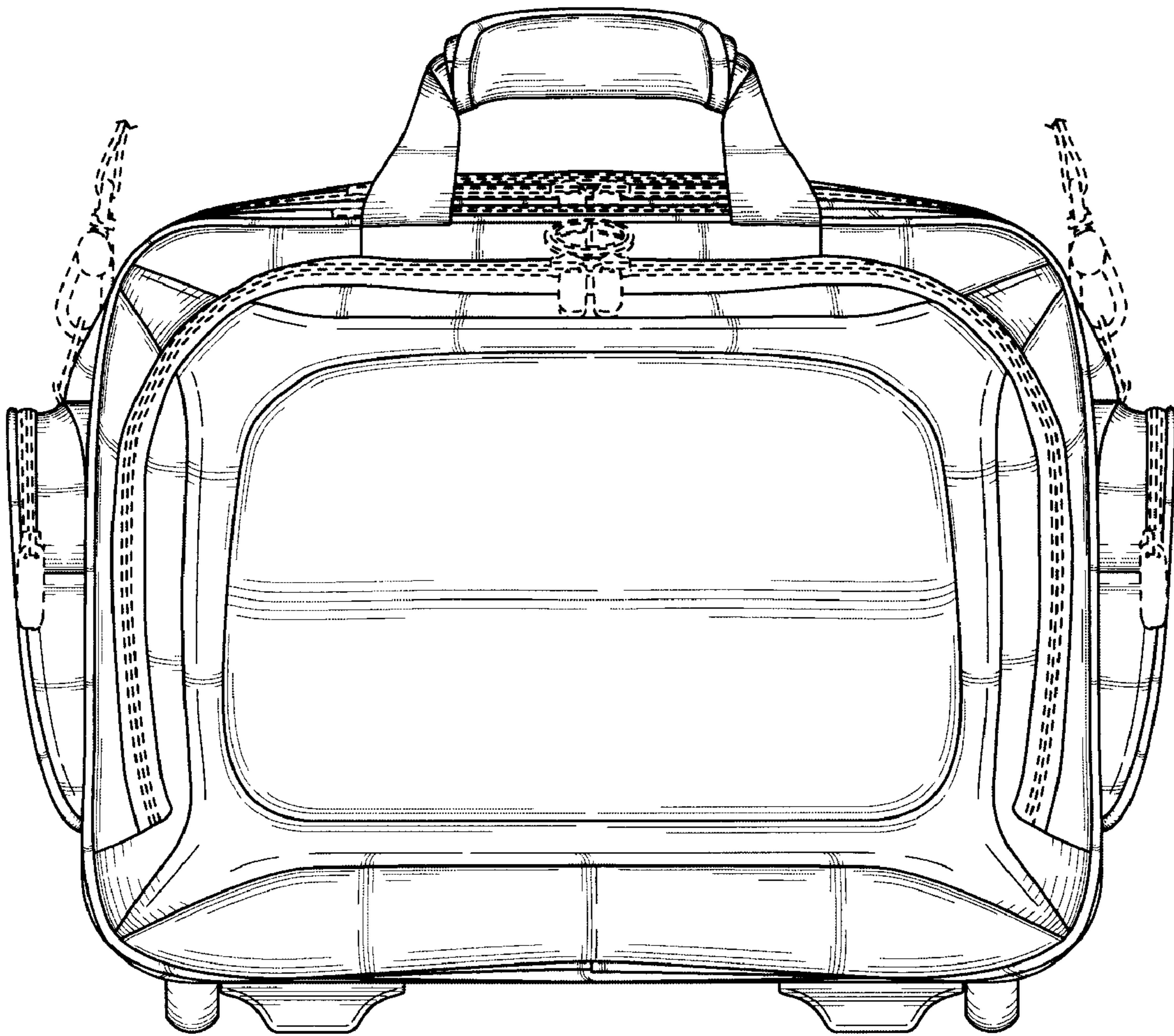


FIG. 2

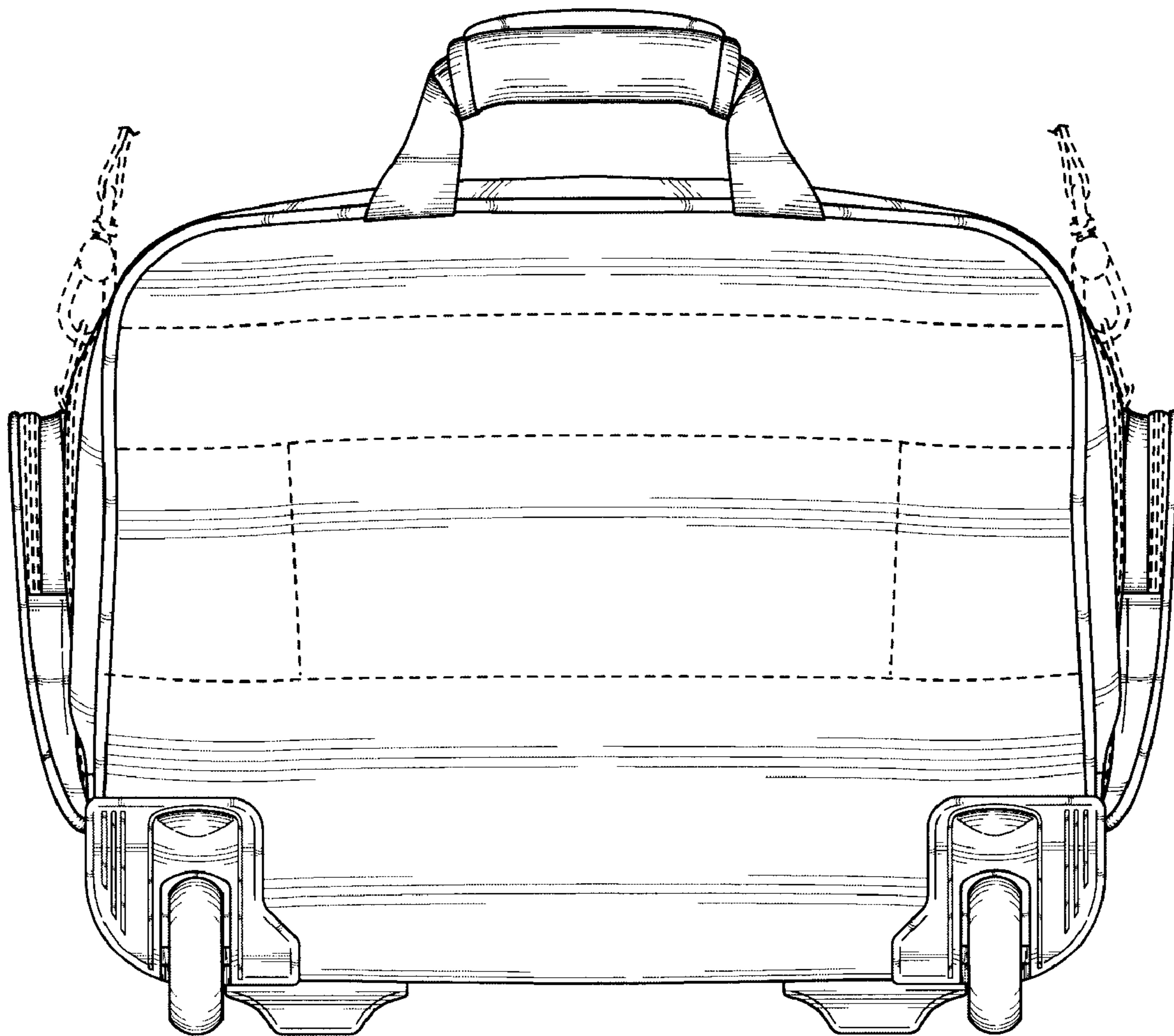


FIG. 3

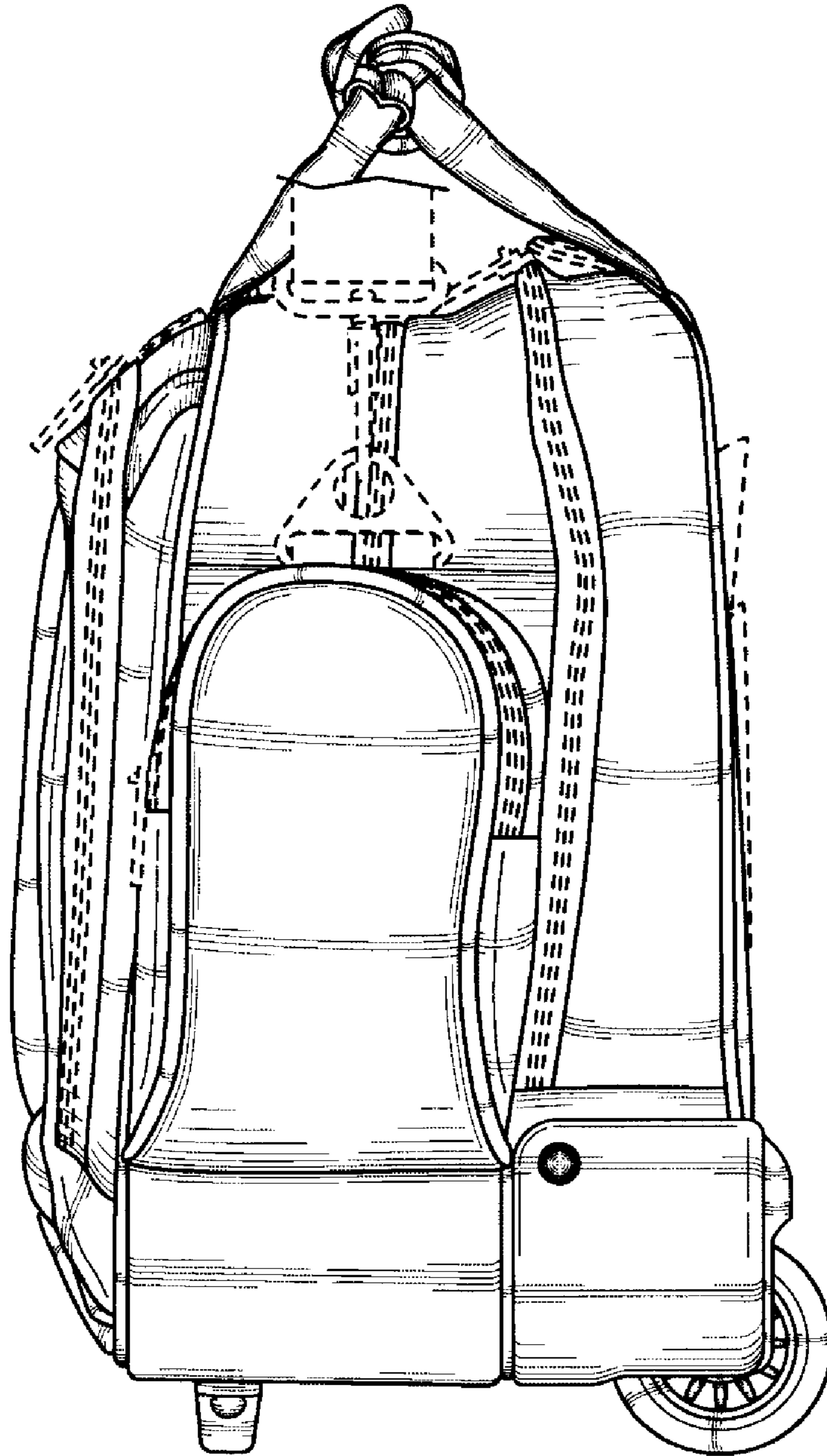


FIG. 4

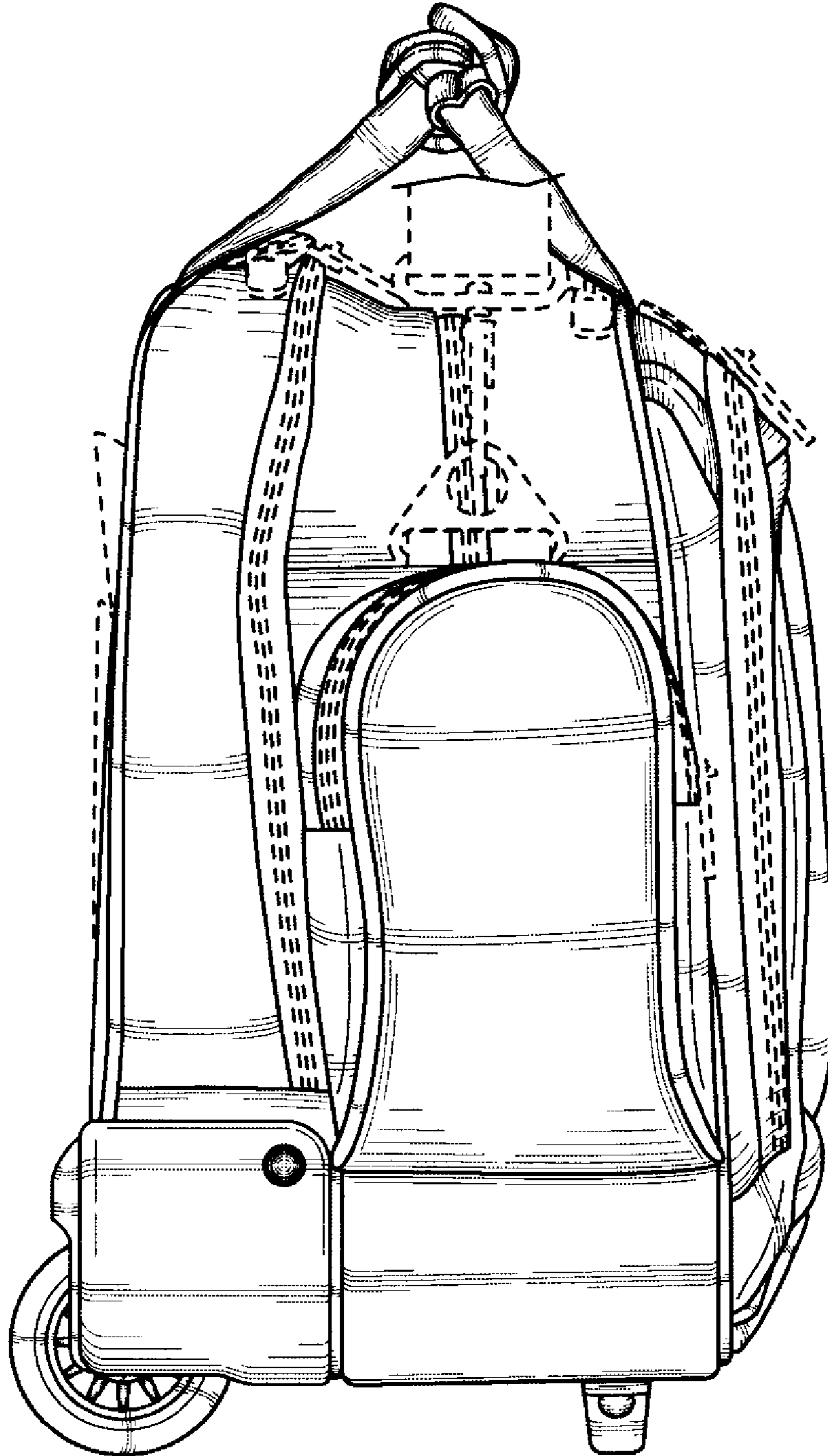


FIG. 5

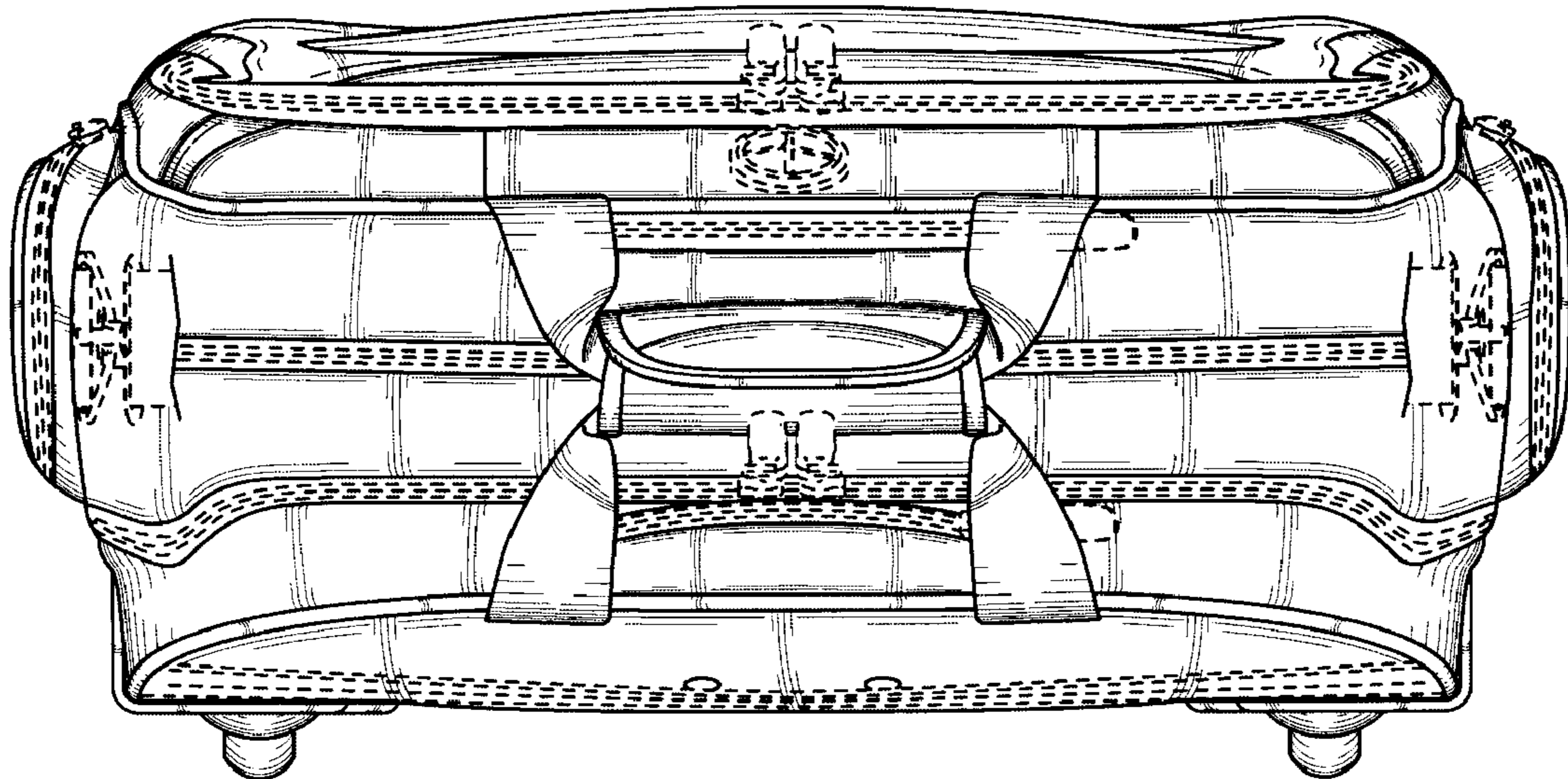


FIG. 6

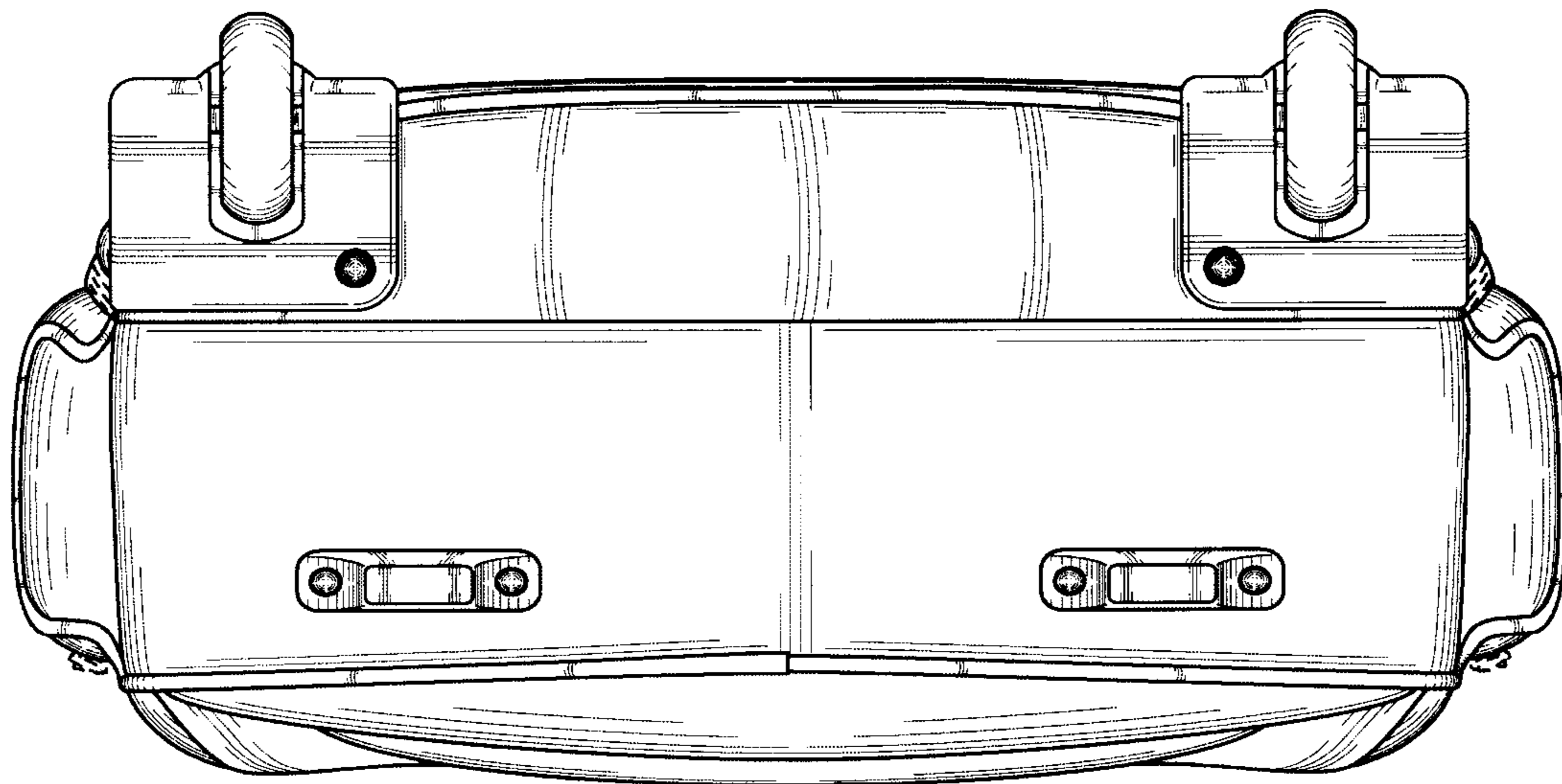


FIG. 7