

US00D548961S

(12) **United States Design Patent**
Dohner

(10) **Patent No.:** **US D548,961 S**

(45) **Date of Patent:** **** Aug. 21, 2007**

(54) **CARD CASE WITH DATA REGISTER**

(75) Inventor: **Craig Dohner**, St. Charles, IL (US)

(73) Assignee: **Wiser Choice Promotions, Inc.**, St. Charles, IL (US)

(**) Term: **14 Years**

(21) Appl. No.: **29/188,047**

(22) Filed: **Aug. 12, 2003**

(51) **LOC (8) Cl.** **03-01**

(52) **U.S. Cl.** **D3/247**

(58) **Field of Classification Search** D3/247-253;
150/106, 127, 131, 132, 133, 134, 138, 139,
150/145, 147

See application file for complete search history.

(56) **References Cited**

U.S. PATENT DOCUMENTS

1,787,054 A * 12/1930 Scheuer 150/145
D141,316 S * 5/1945 Smallman D3/251
2,612,201 A * 9/1952 Lipp 150/133

(Continued)

OTHER PUBLICATIONS

Strong Leather Catalog, 2001, p. 4 showing gusseted card case (Product No. 5033).

(Continued)

Primary Examiner—Ian Simmons

Assistant Examiner—Melanie Levy

(74) *Attorney, Agent, or Firm*—Greenberg Traurig

(57) **CLAIM**

The ornamental design for a card case with data register, as shown and described.

DESCRIPTION

FIG. 1 is a perspective view of the card case with data register in a partially open position.

FIG. 2 is a rear perspective view thereof in a partially open position.

FIG. 3 is a rear perspective view with a card shown inserted in the outside pocket.

FIG. 4 is a front view thereof.

FIG. 5 is a rear view thereof with a card shown inserted in the outside pocket.

FIG. 6 is a rear view thereof, without a card shown in the outside pocket.

FIG. 7 is a view from one side thereof in a partially open position.

FIG. 8 is a view from the other side thereof in a partially open position.

FIG. 9 is a top view thereof in a partially open position.

FIG. 10 is a bottom view thereof in a partially open position.

FIG. 11 is a bottom view thereof with the data register removed.

FIG. 12 is a view of the inside of the card case with data register fully opened with the data register in place, and a portion of the data register inserted and visible behind a transparent/translucent window.

FIG. 13 is a view from the outside.

FIG. 14 is a view from the outside with a card shown inserted in the outside pocket.

FIG. 15 is a view from one side of card case with data register in the fully opened configuration.

FIG. 16 is a view from the other side thereof.

FIG. 17 is a top view of the card case with data register, in the fully opened position.

FIG. 18 is a bottom view thereof.

FIG. 19 is a view from one side of the card case with data register, shown fully closed. The view of the other side in fully closed position is a mirror image thereof.

FIG. 20 is a top view of the card case with data register shown in fully closed position.

FIG. 21 is a bottom view of the card case with data register shown in fully closed position; and,

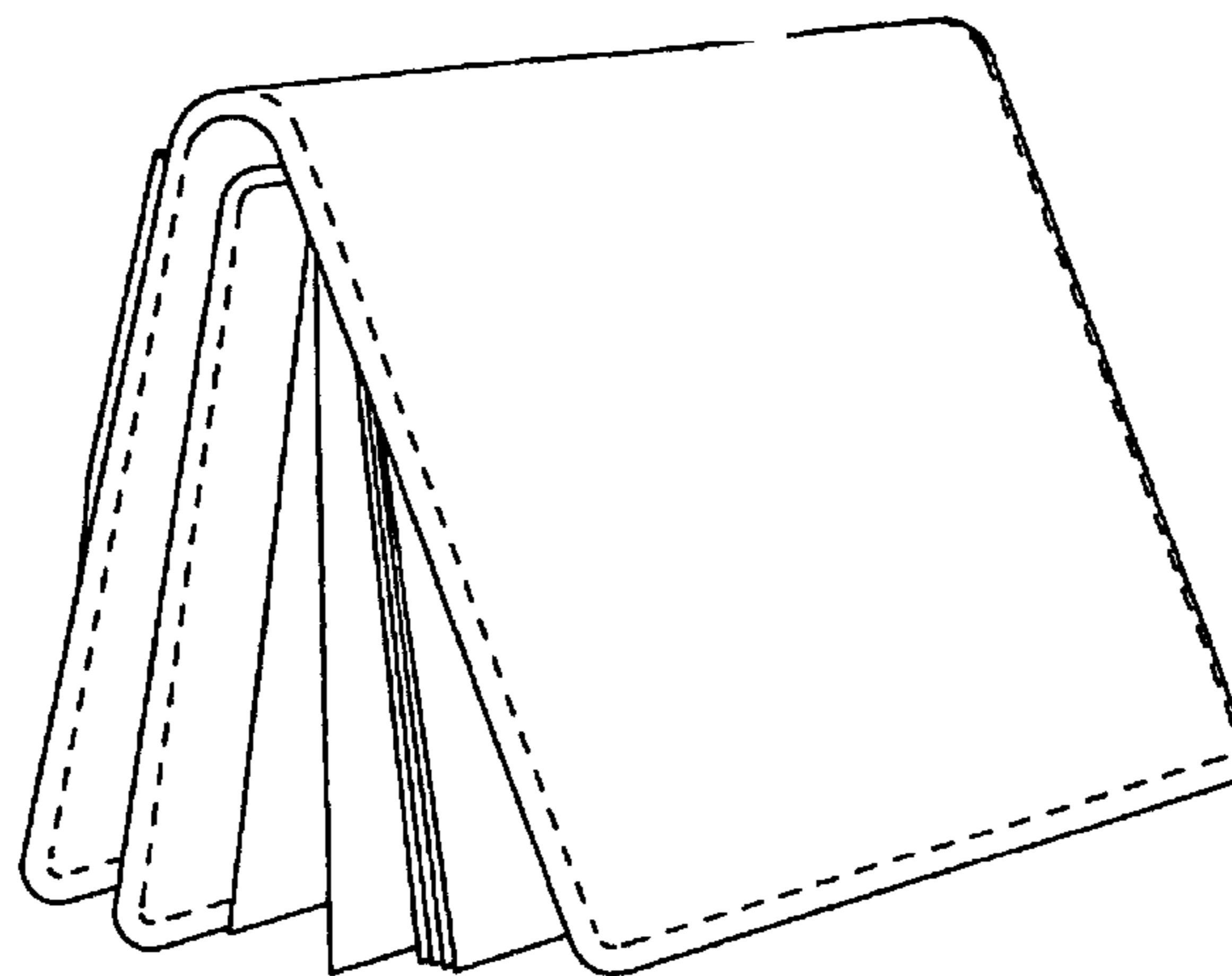
FIG. 22 is a view of the inside of the card case with data register, in fully open position with the data register removed.

The window visible in the upper portion of FIG. 12 is transparent/translucent.

The broken line showing in FIG. 12 is for illustrative purposes only and forms no part of the claimed design.

The dashed lines are understood to represent stitching.

1 Claim, 9 Drawing Sheets



US D548,961 S

Page 2

U.S. PATENT DOCUMENTS

4,037,634 A * 7/1977 Ricciardi 150/133
4,342,350 A * 8/1982 Resnick 150/138
4,942,913 A * 7/1990 Musso 150/138
5,595,401 A 1/1997 Exline et al.
5,775,398 A * 7/1998 Siegel 150/139
5,800,659 A 9/1998 Exline et al.
6,089,608 A 7/2000 Exline
6,110,551 A 8/2000 Exline et al.
6,120,228 A 9/2000 Exline
D435,339 S * 12/2000 Cleveland D3/249
D435,340 S * 12/2000 Kojoori D3/250
D446,649 S * 8/2001 Bodony et al. D3/249
6,601,622 B1 * 8/2003 Young 150/138
D501,718 S * 2/2005 Brown D3/247

D509,955 S * 9/2005 Williams D3/247
2005/0035006 A1 * 2/2005 Dohner 206/39

OTHER PUBLICATIONS

Sun Graphix 2004 Promotional Products Catalog, 2004, p. 13 showing business card case/ID holder (Product No. DLBC01).

Leeman Designs Catalog, 2001, p. 23 showing ID card case product (Product No. CCW).

2 photos of simple plastic bifold wallet with 2 clear windowed pockets, and a printed multipage paper register, offered for sale by applicant's assignee, at least as early as Aug. 1, 2002.

* cited by examiner

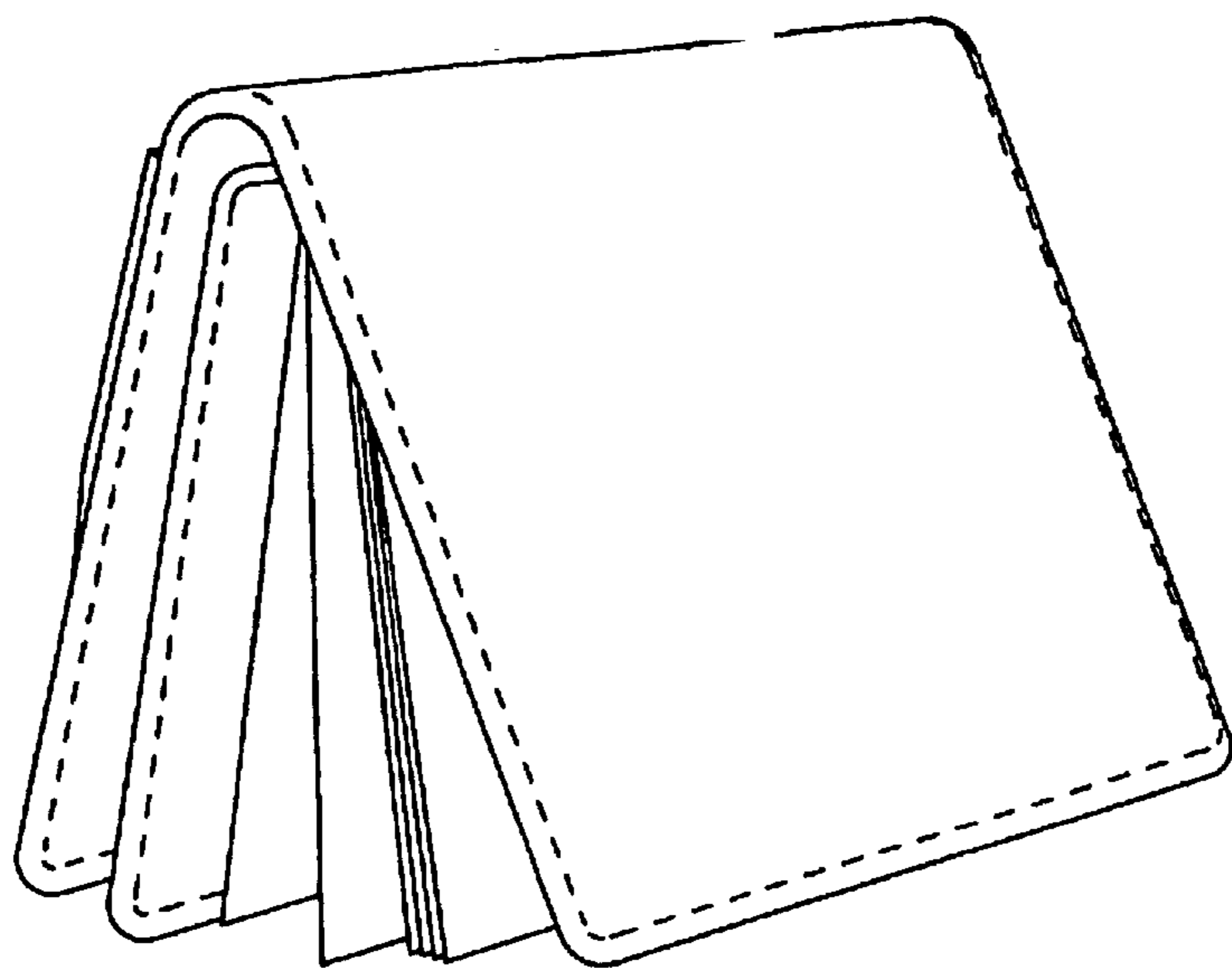


FIG. 1

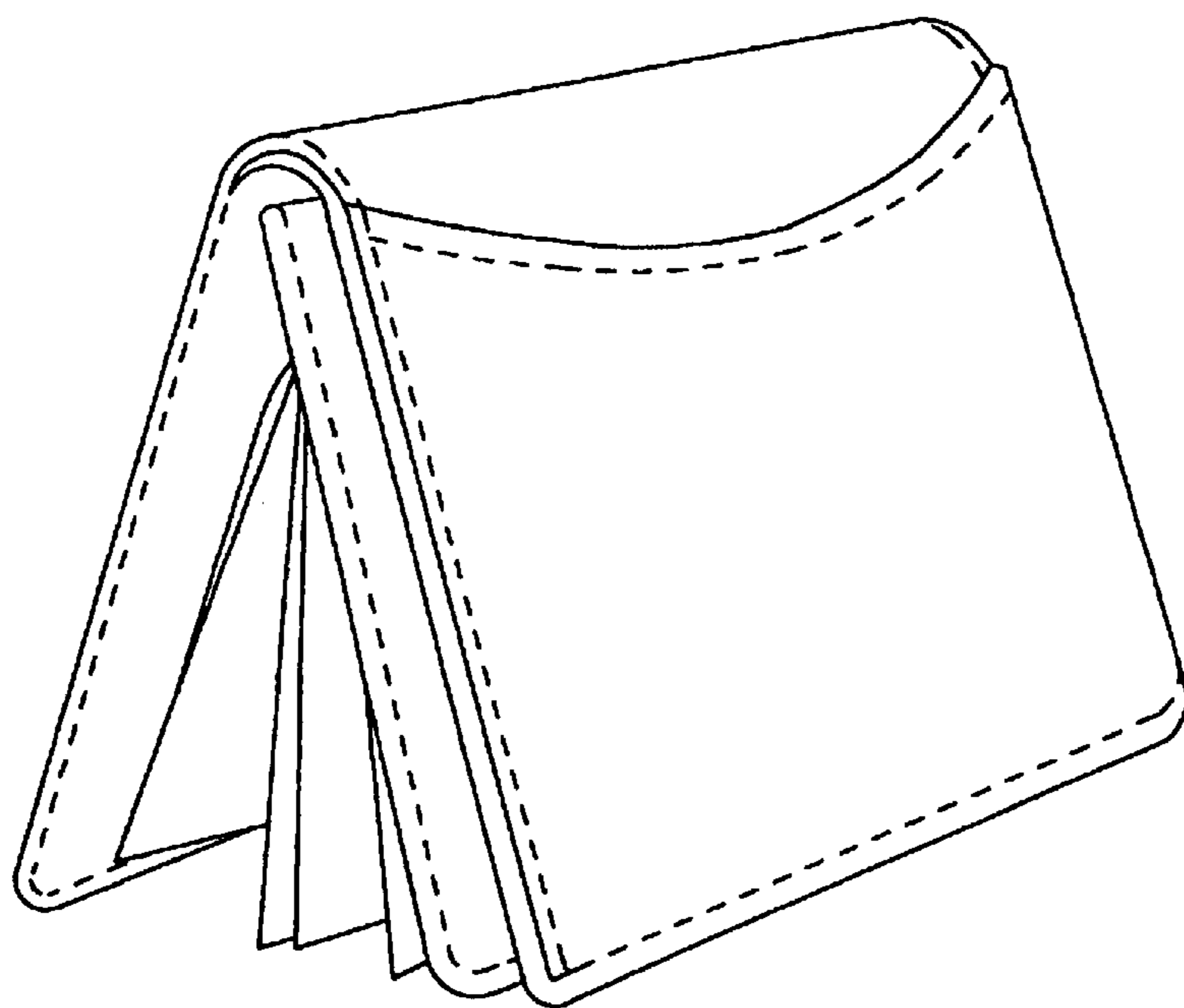


FIG. 2

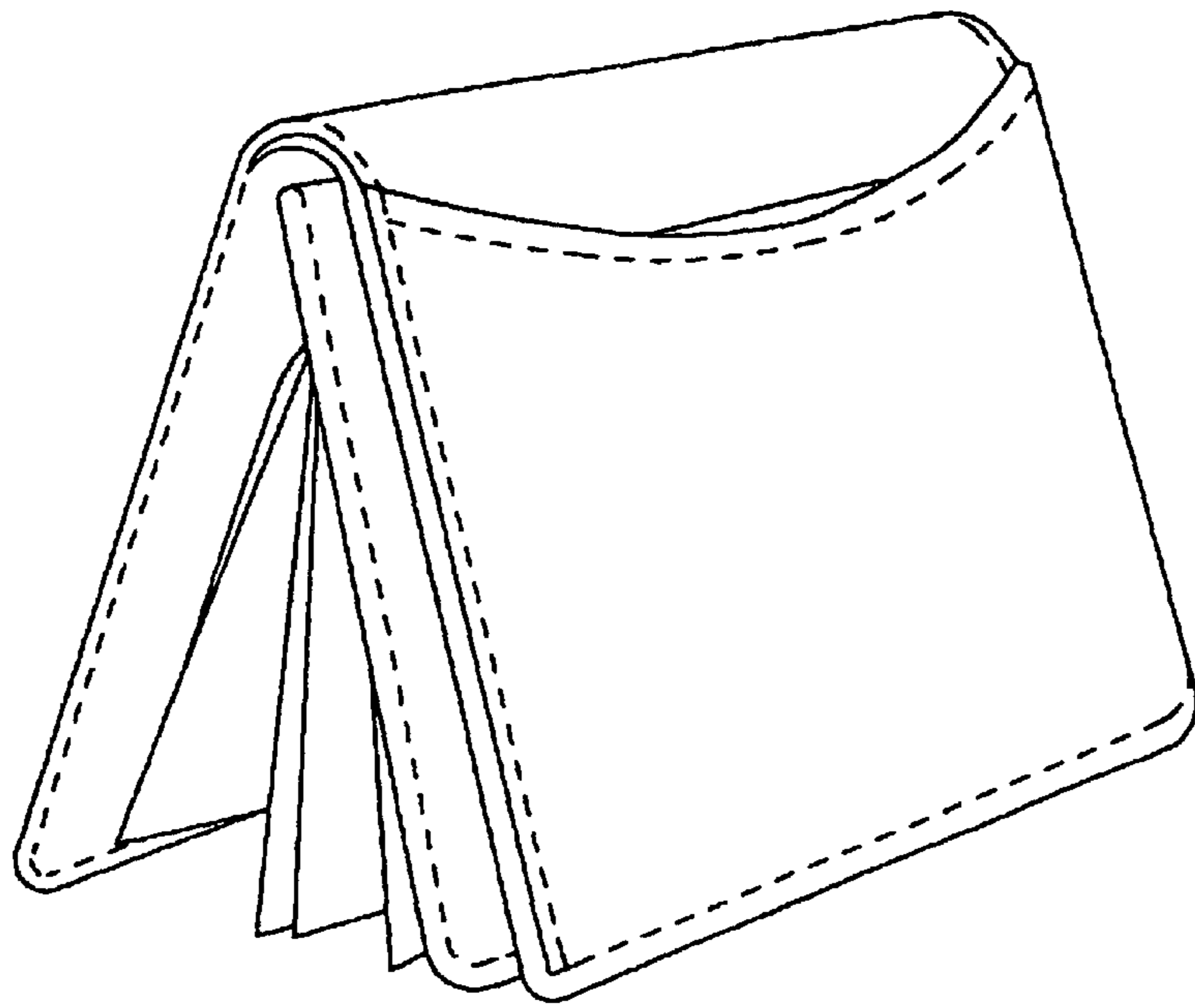


FIG. 3

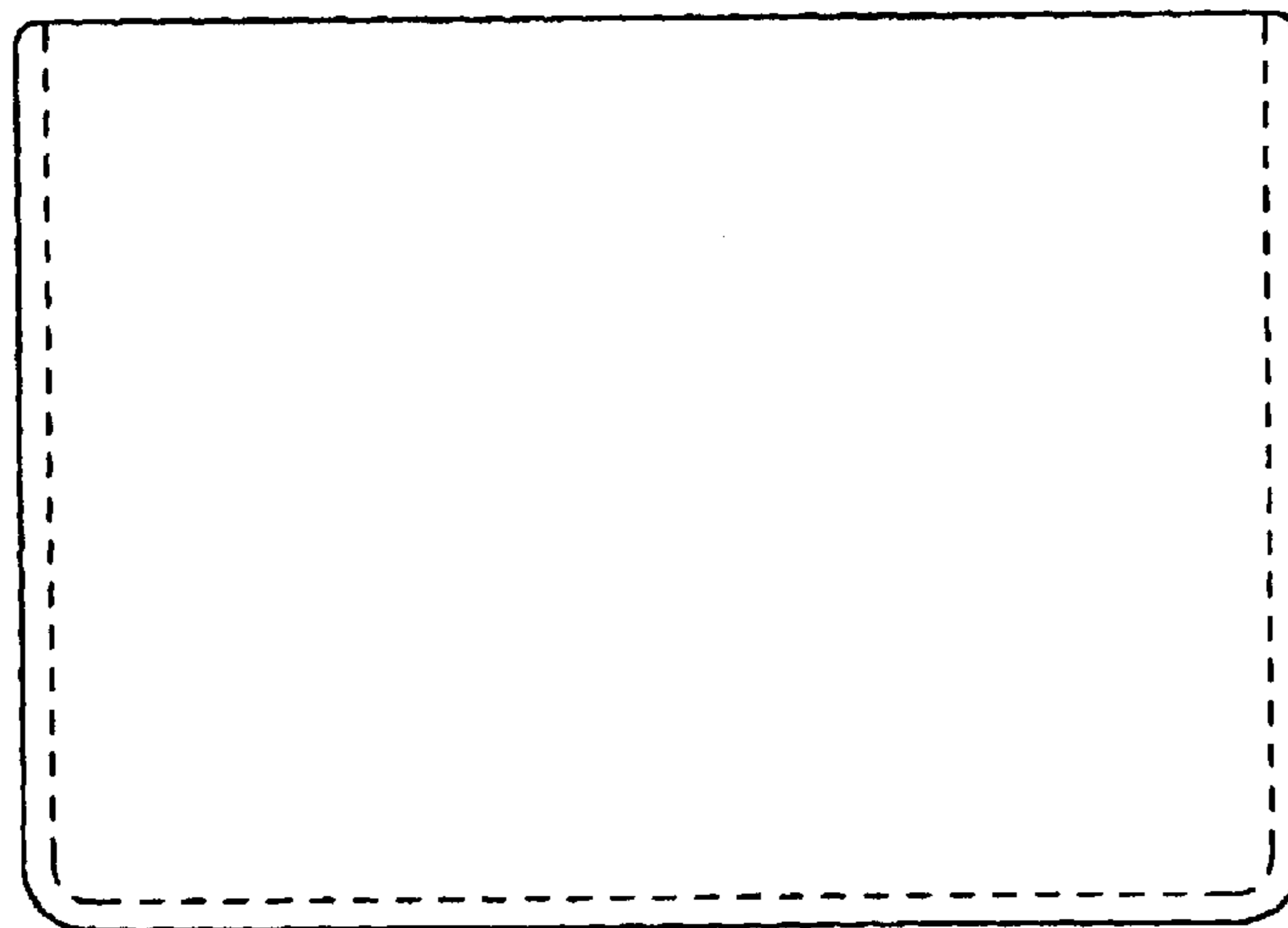


FIG. 4

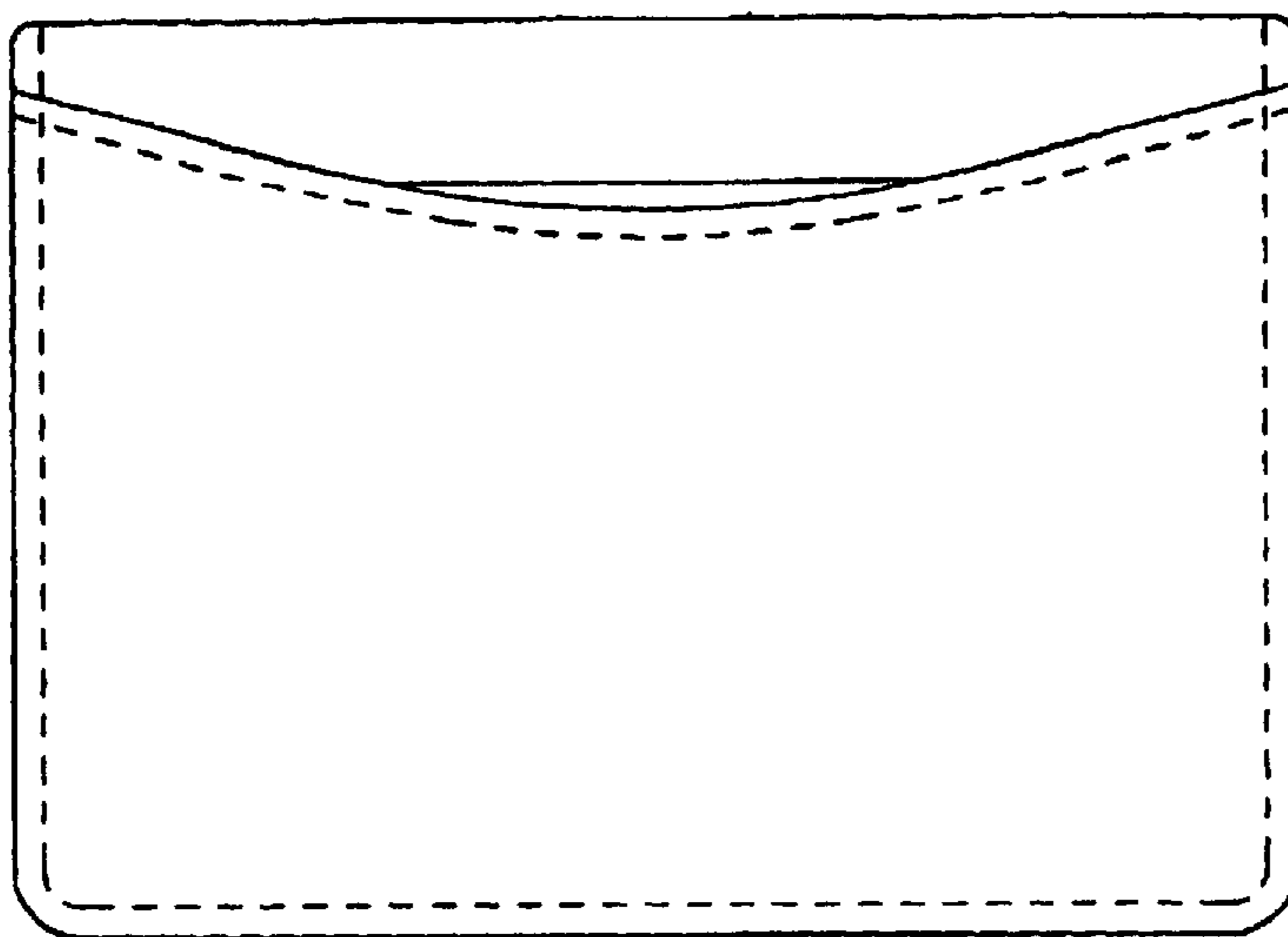


FIG. 5

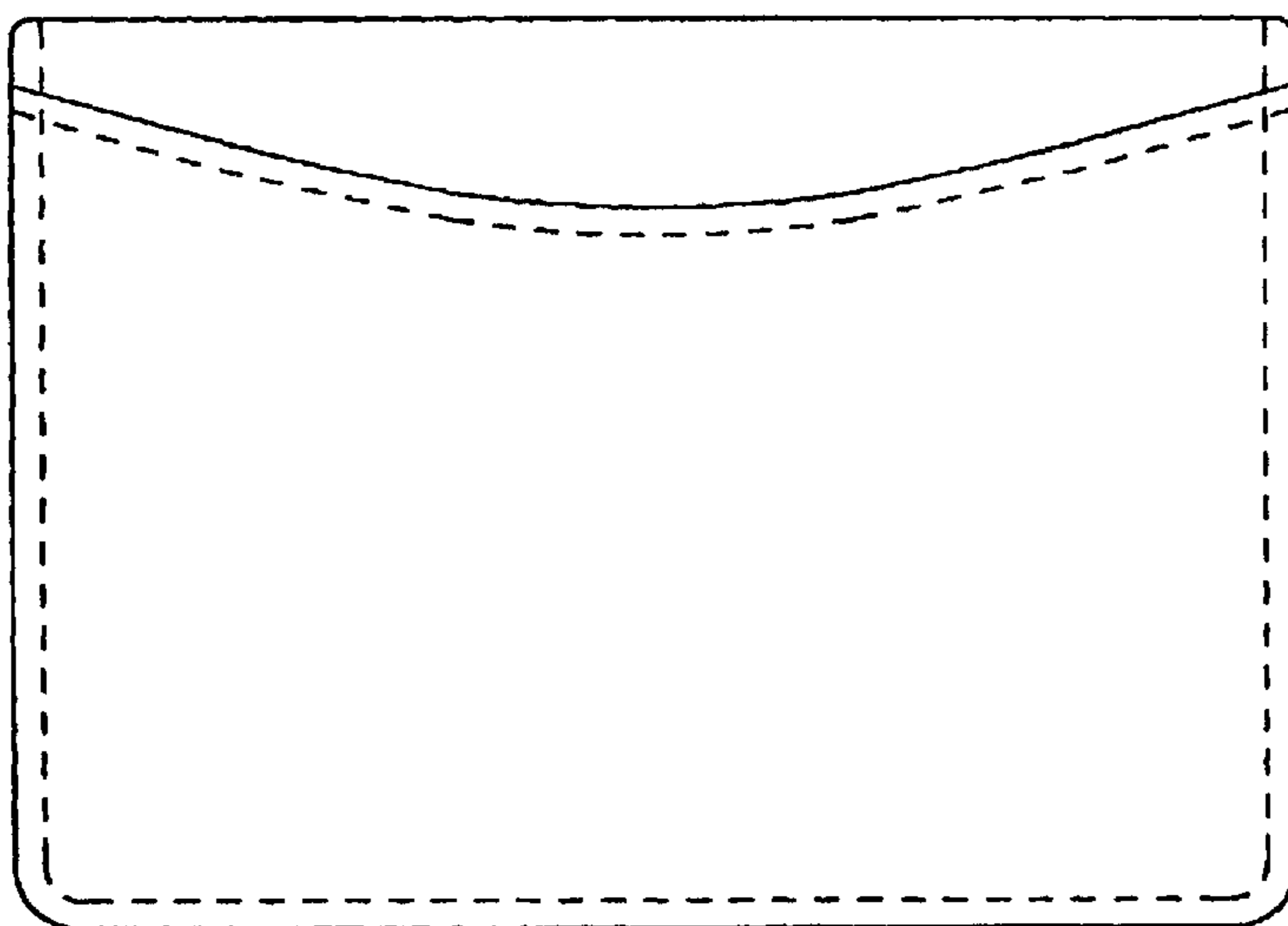


FIG. 6

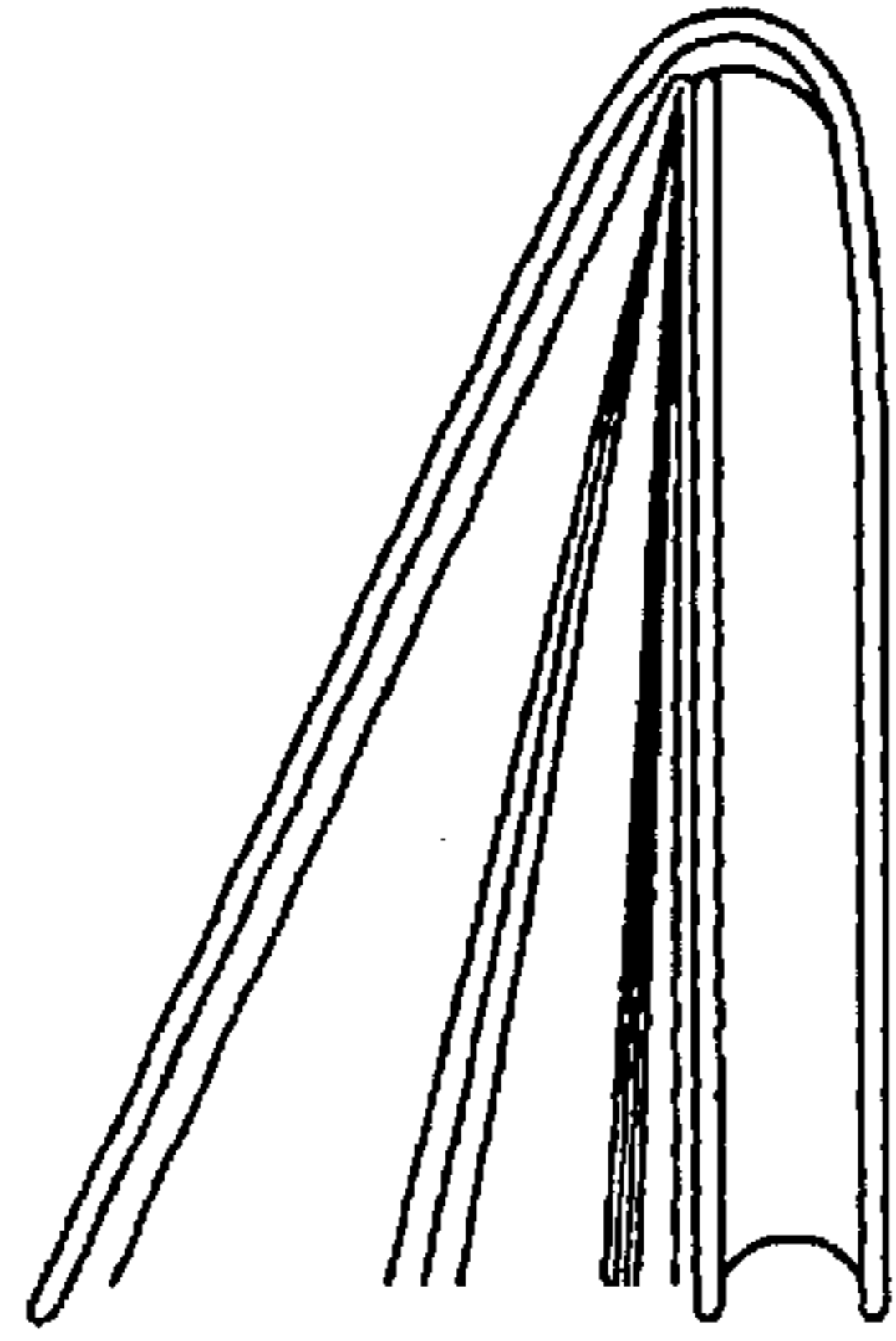


FIG. 7

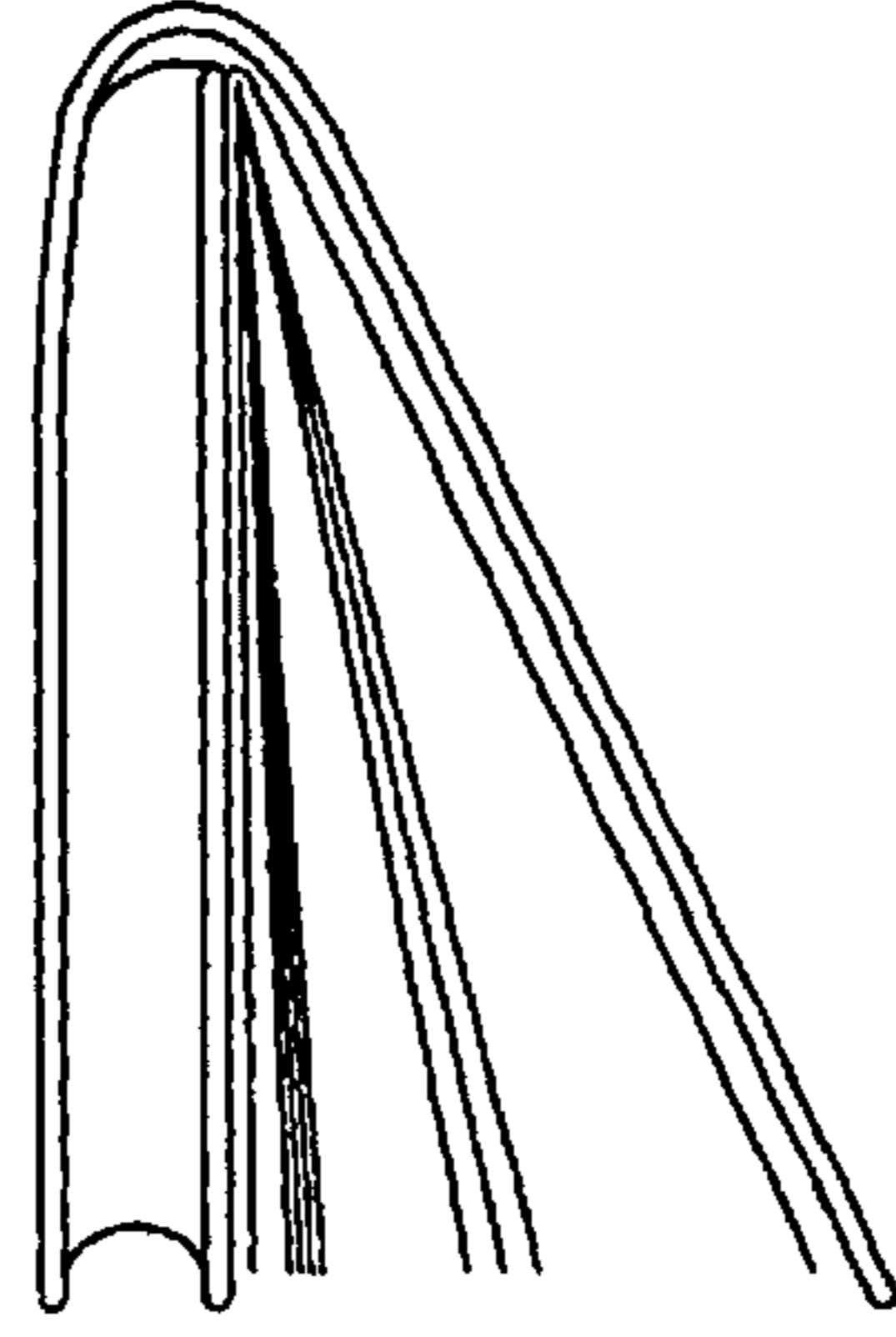


FIG. 8

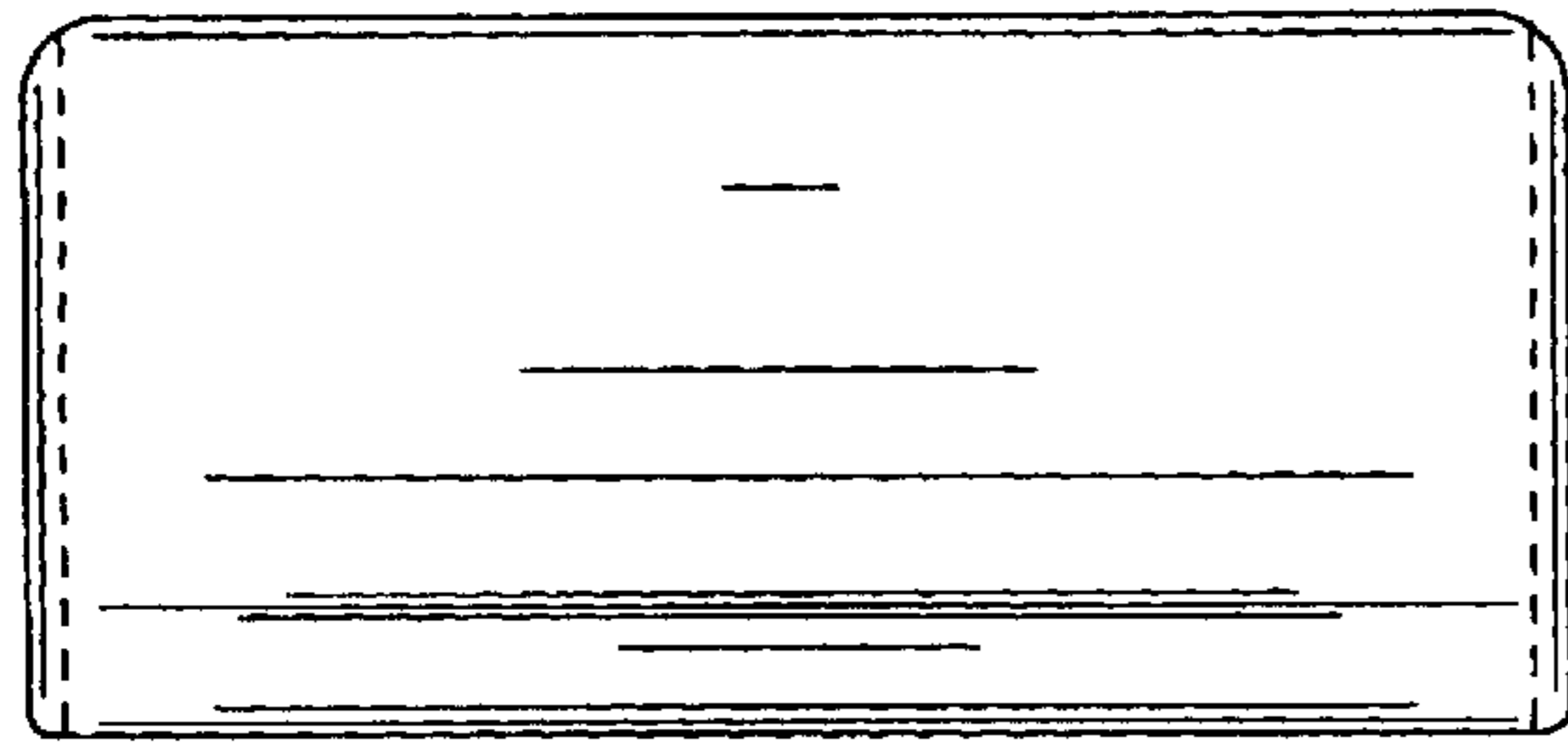


FIG. 9

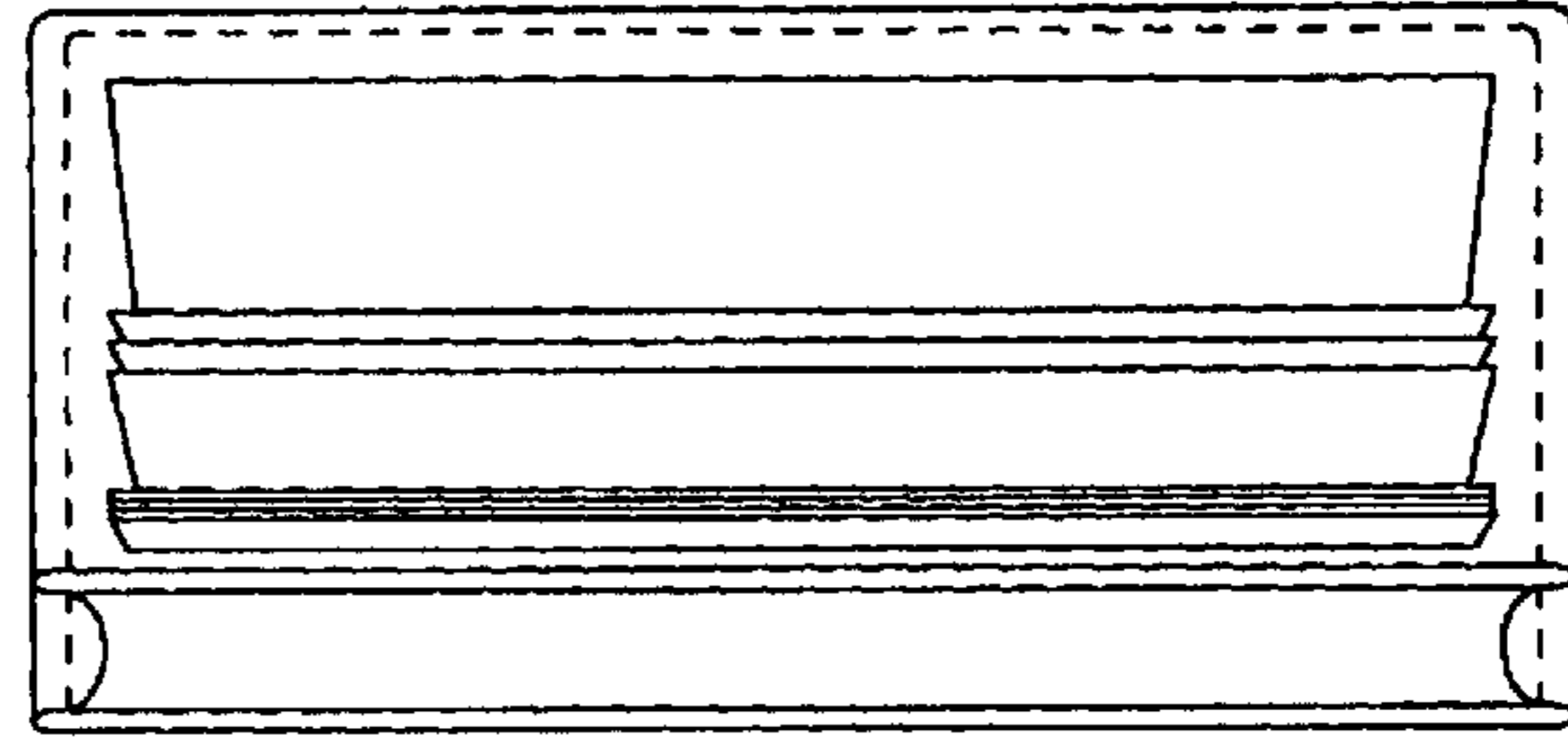


FIG. 10

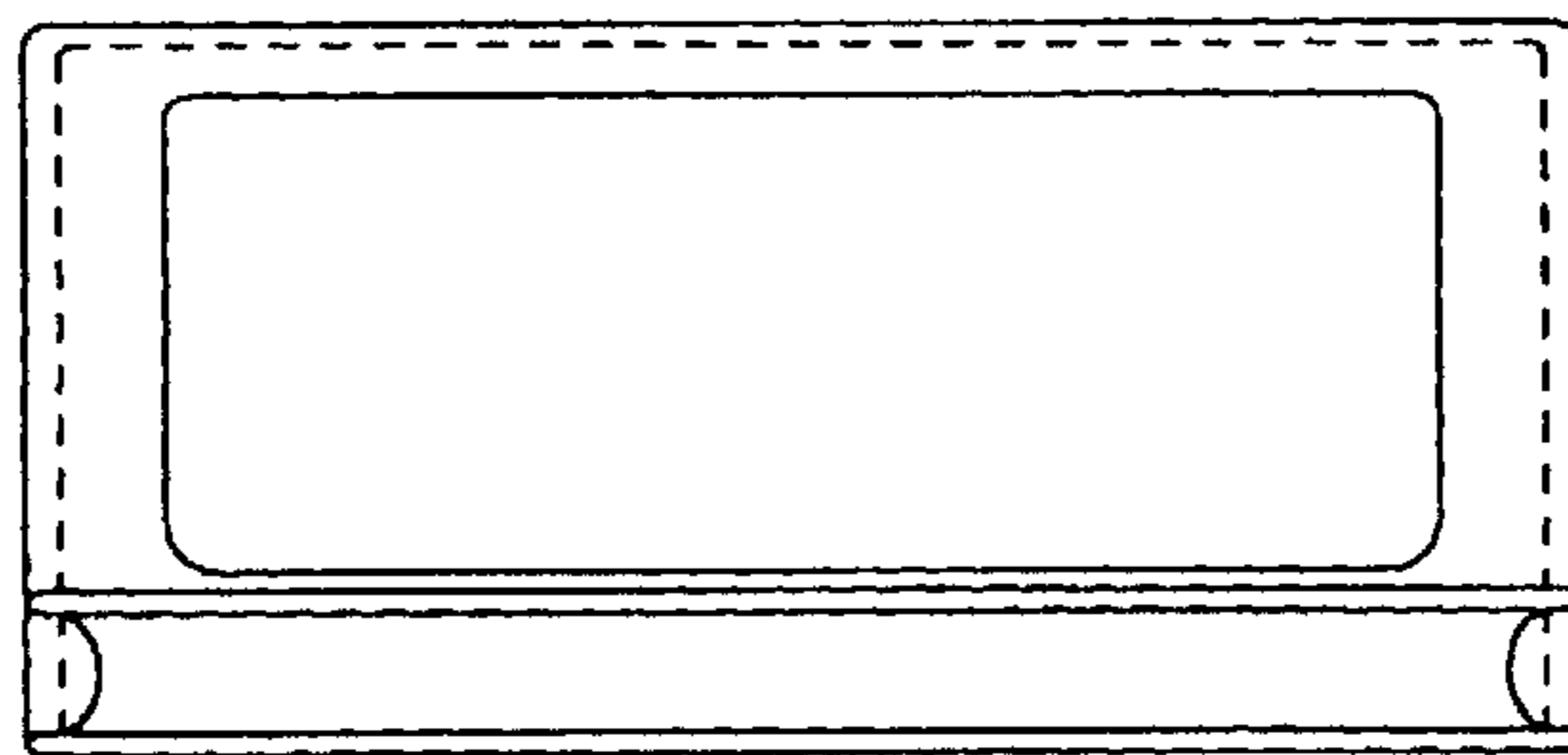


FIG. 11

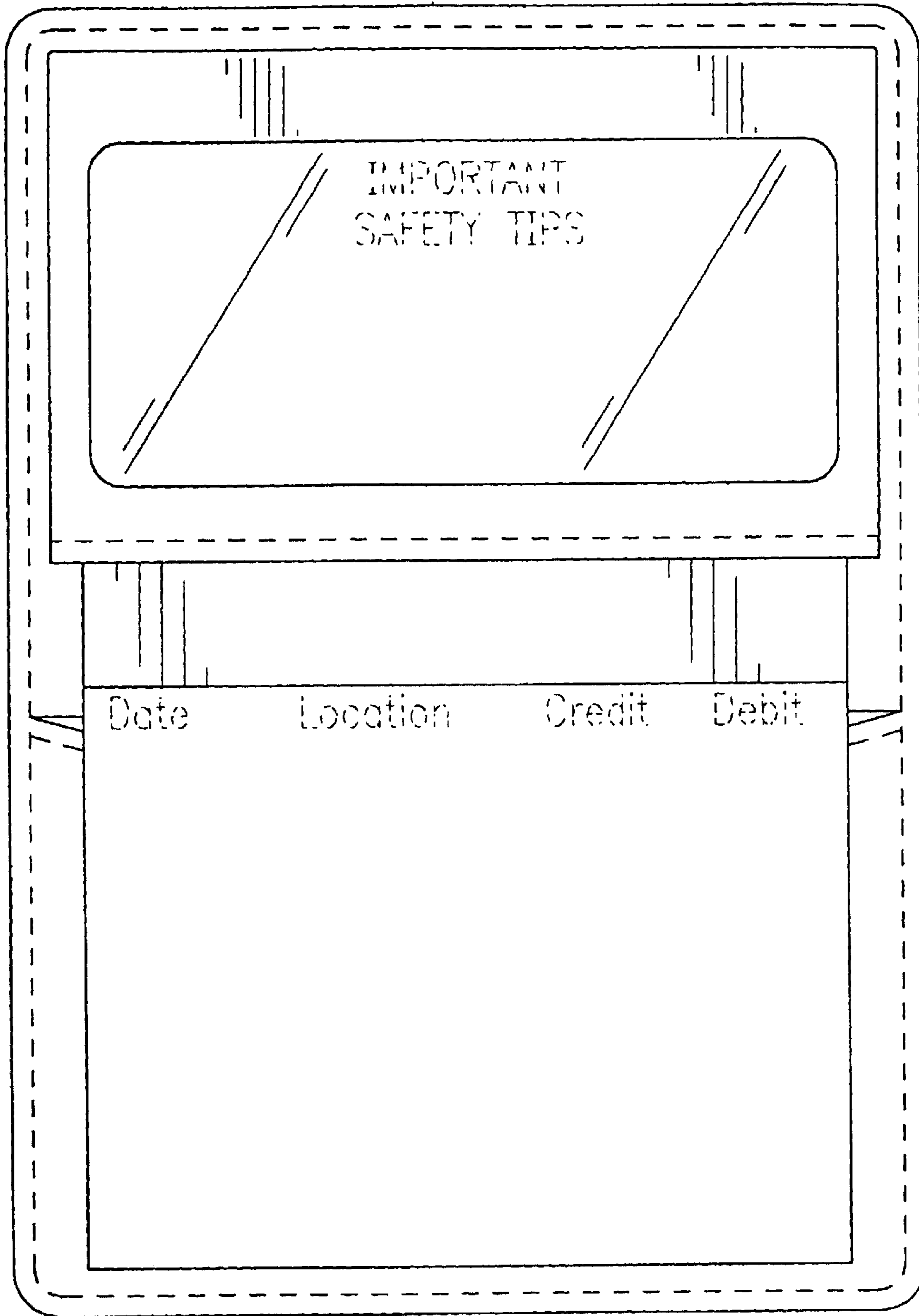


FIG. 12

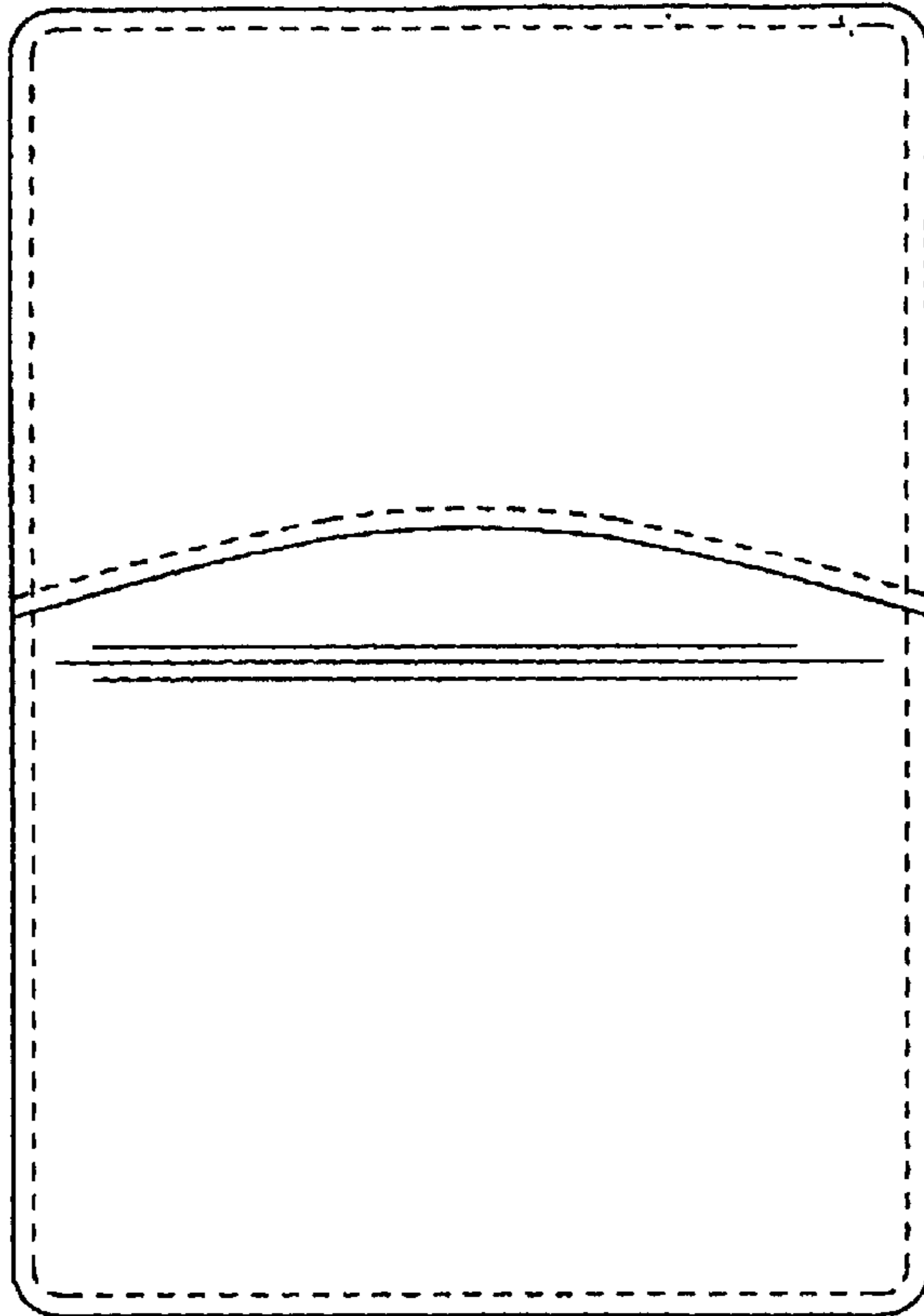


FIG. 13

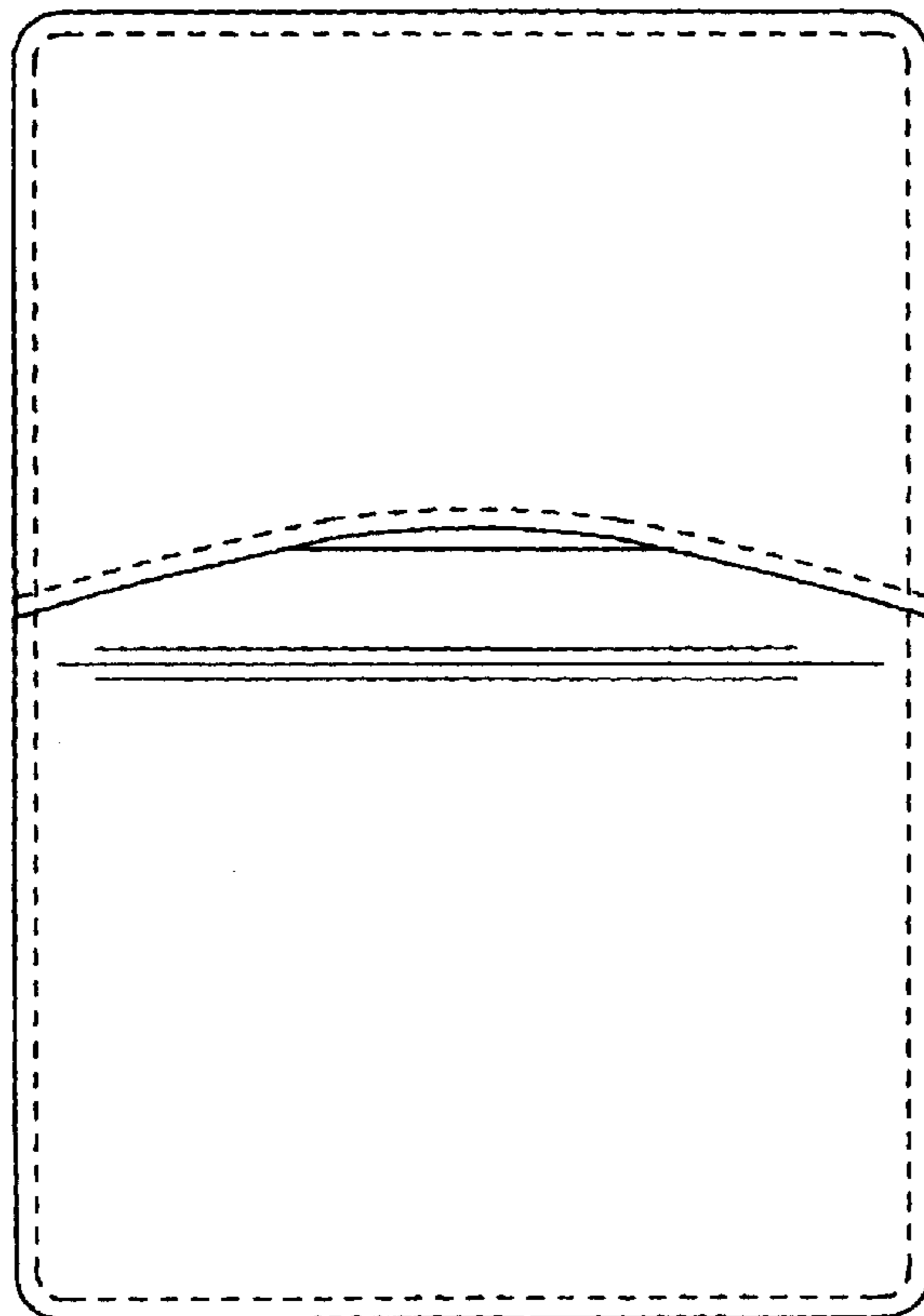


FIG. 14

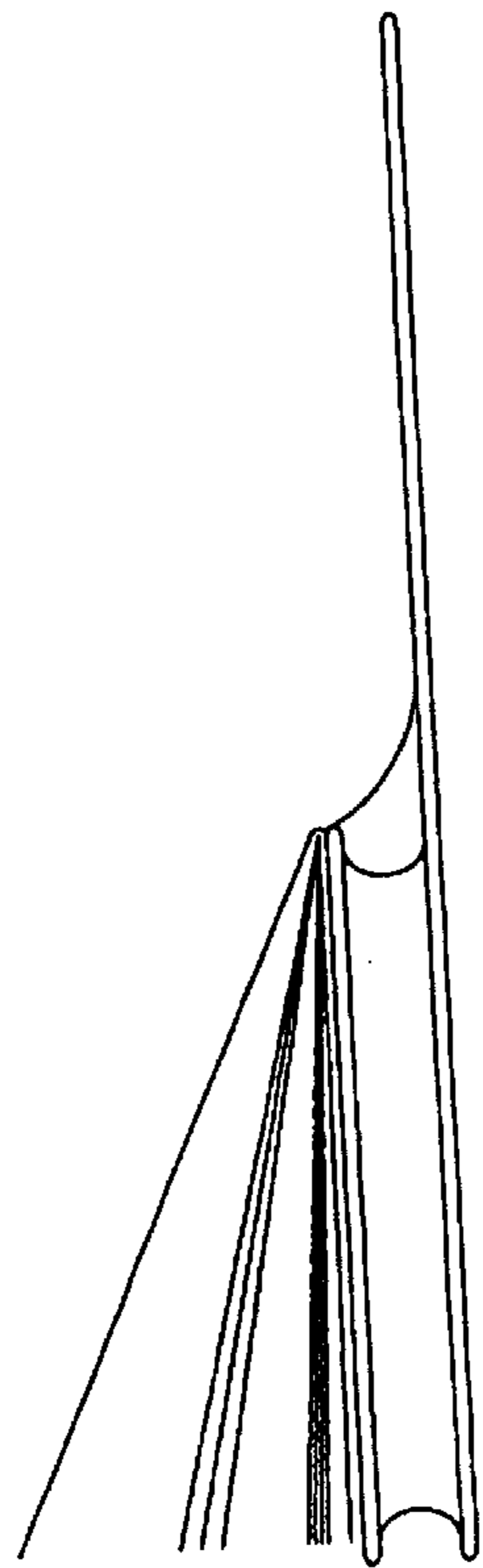


FIG. 15

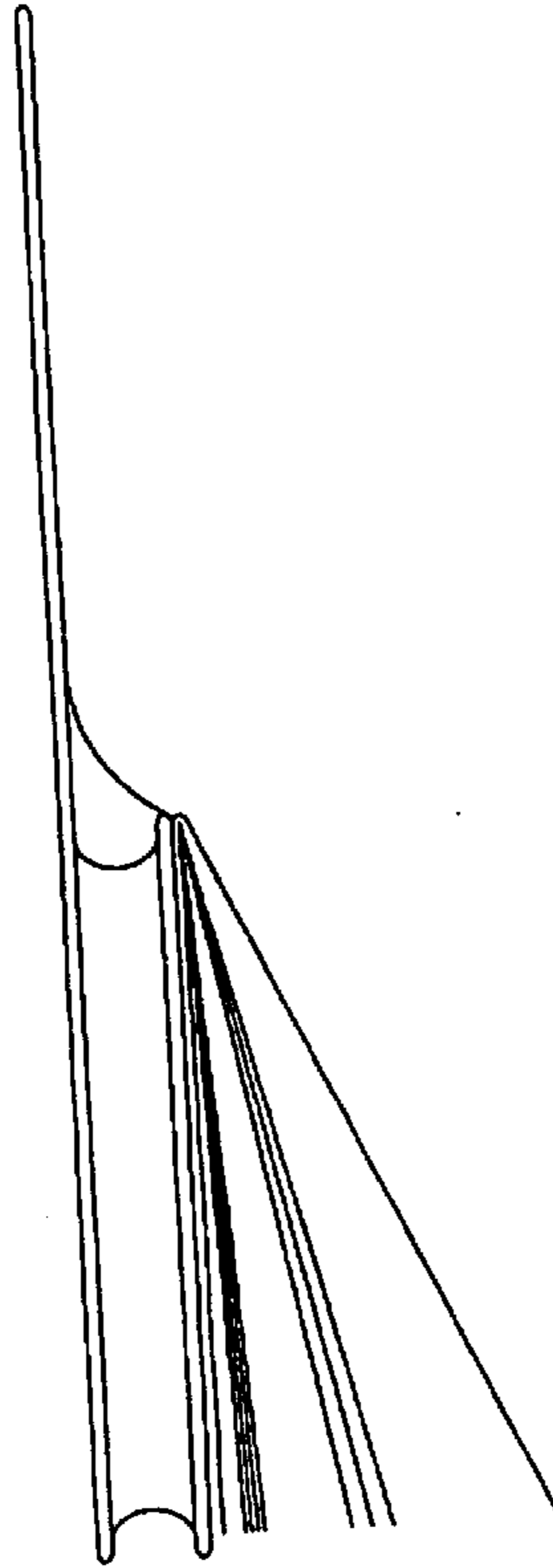


FIG. 16

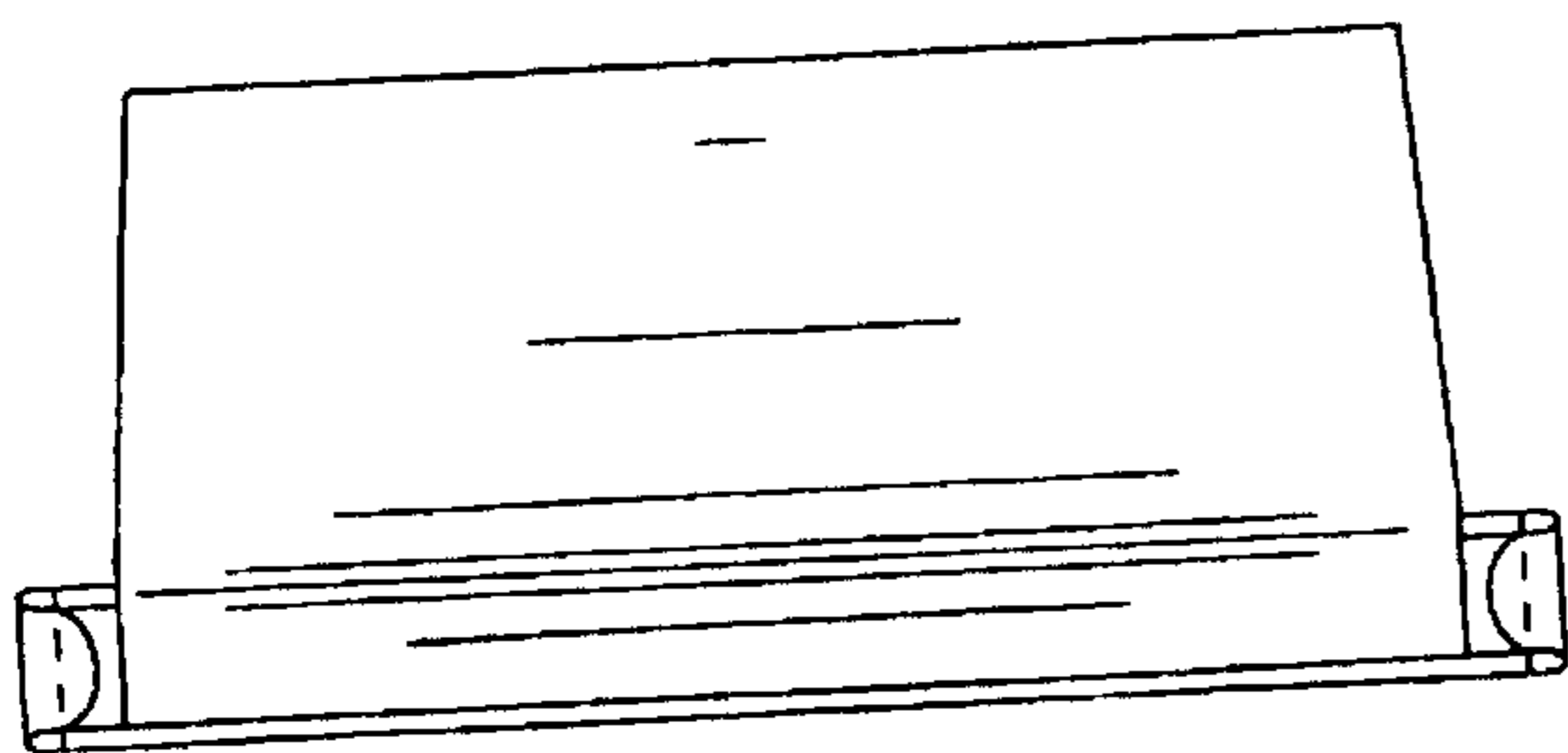


FIG. 17

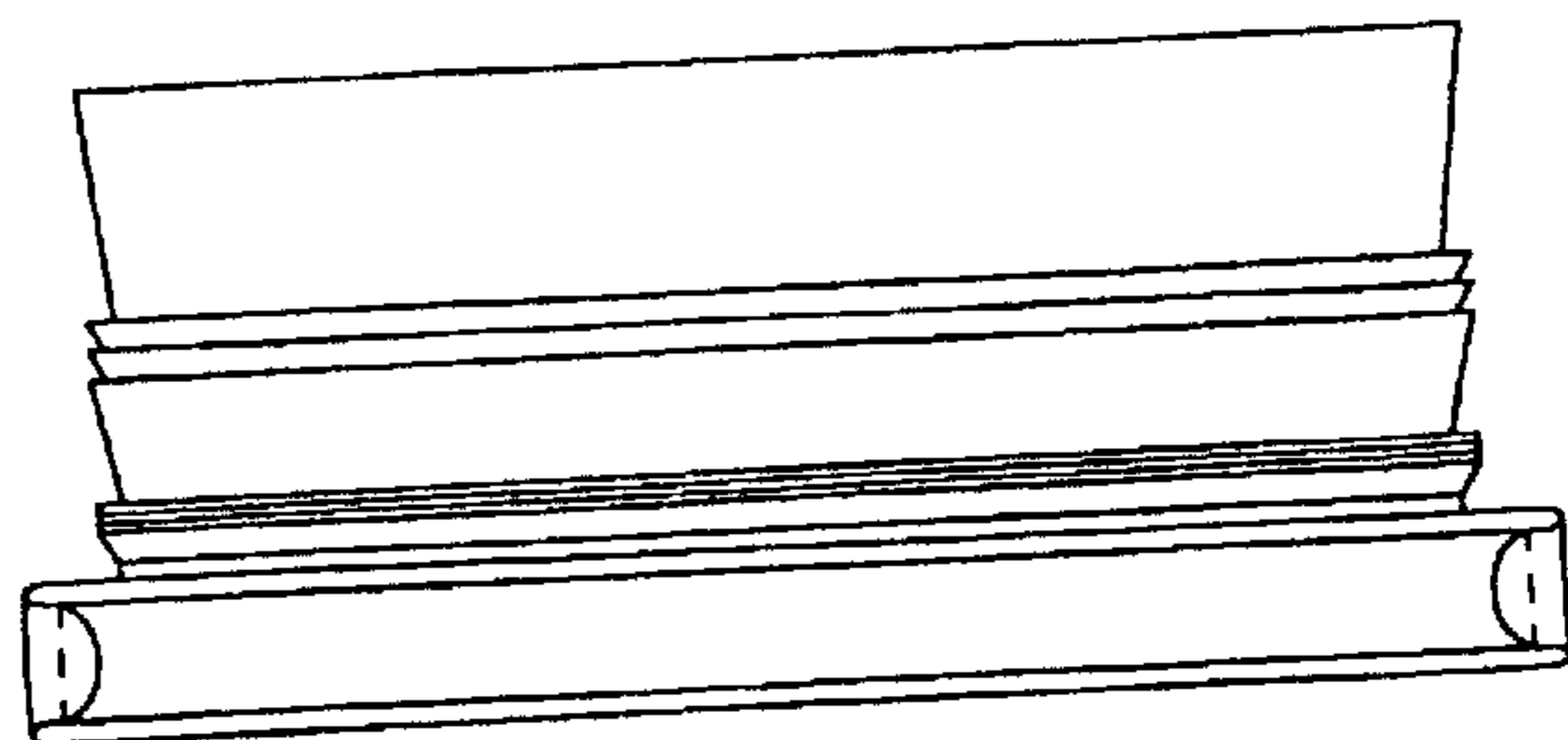


FIG. 18



FIG. 19

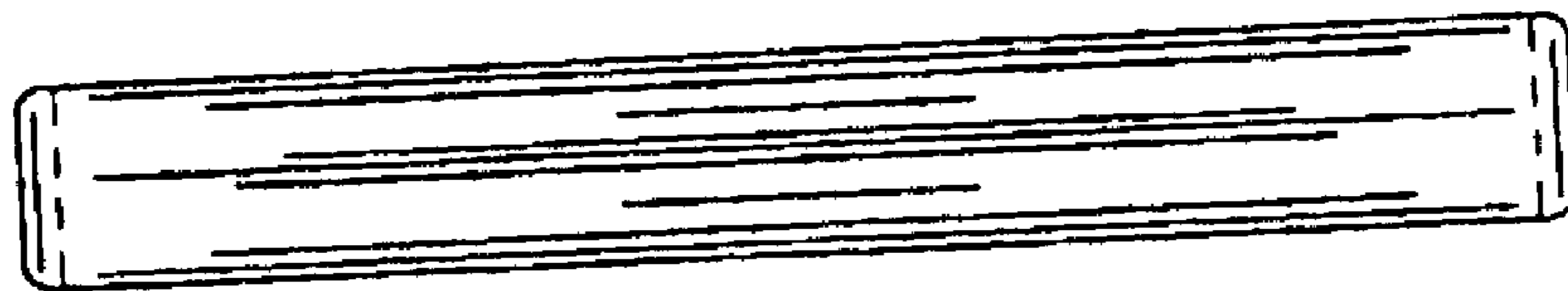


FIG. 20

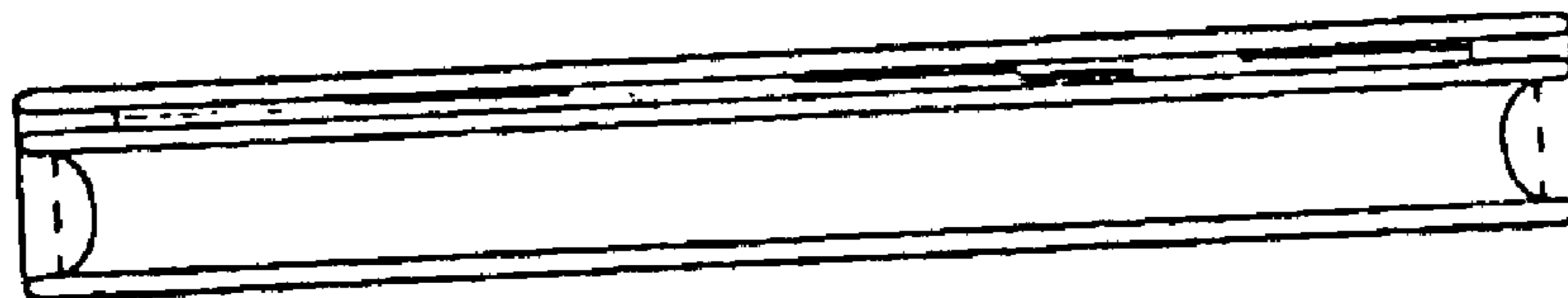


FIG. 21

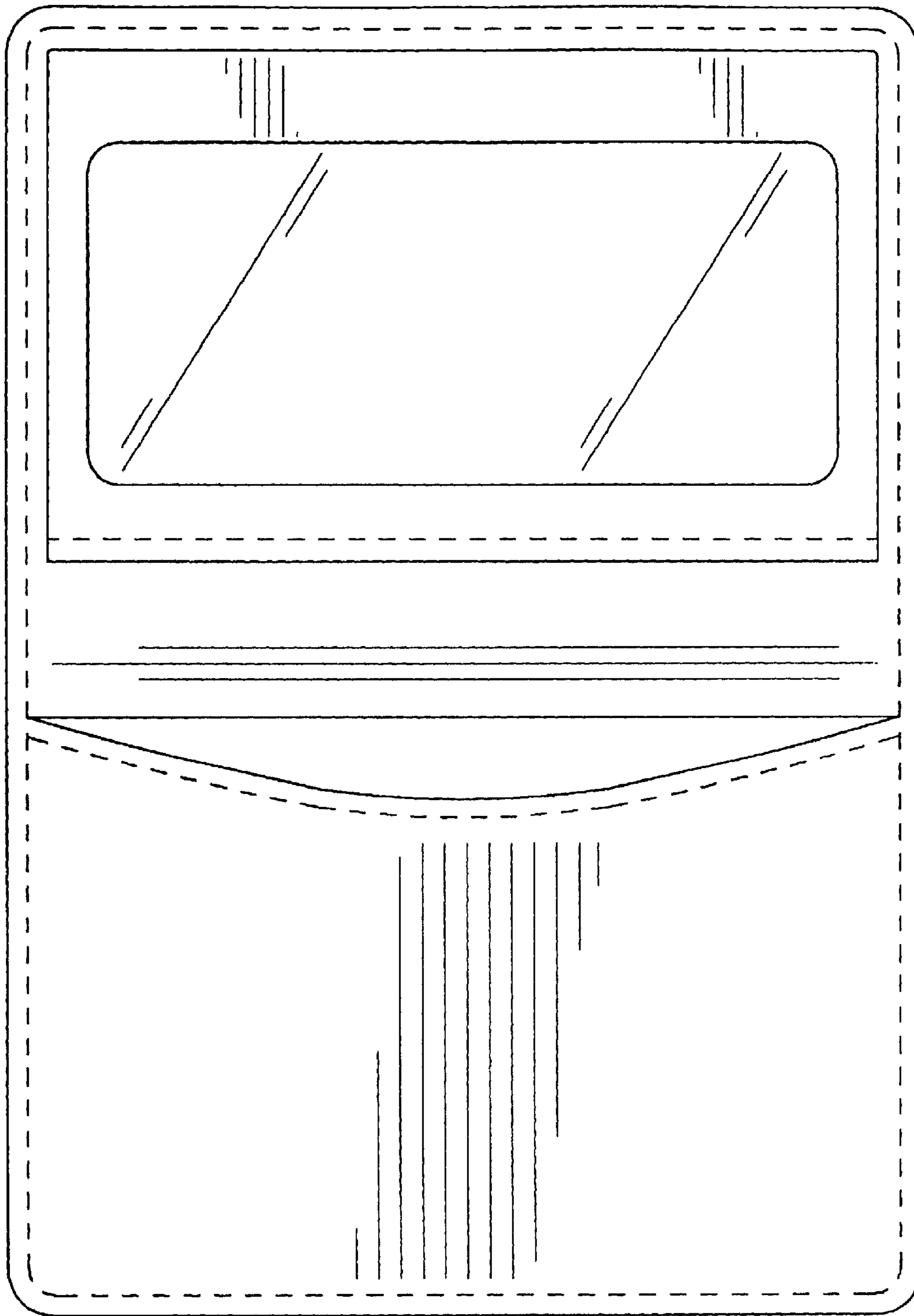


FIG. 22