



US00D548959S

(12) **United States Design Patent**
McClain

(10) **Patent No.: US D548,959 S**

(45) **Date of Patent: ** Aug. 21, 2007**

(54) **COMBINED CELL PHONE AND GLASSES HOLDER**

(76) Inventor: **David L. McClain**, 3663 Buchanan St.,
Apt. 159, Riverside, CA (US) 92503

(**) Term: **14 Years**

(21) Appl. No.: **29/248,031**

(22) Filed: **Jul. 26, 2006**

(51) **LOC (8) Cl.** **03-01**

(52) **U.S. Cl.** **D3/218**

(58) **Field of Classification Search** D3/218,
D3/219, 224, 226, 232-234; 224/240, 219,
224/222, 267, 236, 684

See application file for complete search history.

(56) **References Cited**

U.S. PATENT DOCUMENTS

5,433,359	A	7/1995	Flowers	224/222
D379,262	S *	5/1997	Seigel	D3/218
5,711,469	A	1/1998	Gormley et al.	224/675
6,796,467	B2	9/2004	Caldana	224/219
D501,990	S	2/2005	Carr	D3/215
6,880,737	B2	4/2005	Bauer	224/246
D512,834	S *	12/2005	Wagner, II	D3/226

D513,865	S *	1/2006	Wagner, II	D3/226
D536,868	S *	2/2007	Jackson	D3/218
D537,623	S *	3/2007	Dennis et al.	D3/218
D538,035	S *	3/2007	Chen	D3/218
2004/0094584	A1	5/2004	Tabata	224/221
2004/0182896	A1	9/2004	Ballard	224/222
2004/0256432	A1	12/2004	Orenstein	224/660

* cited by examiner

Primary Examiner—Catherine R. Oliver

(57) **CLAIM**

The ornamental design for a combined cell phone and glasses holder, as shown and described.

DESCRIPTION

FIG. 1 is a front elevation view of a combined cell phone and glasses holder showing my new design;

FIG. 2 is a rear elevation view;

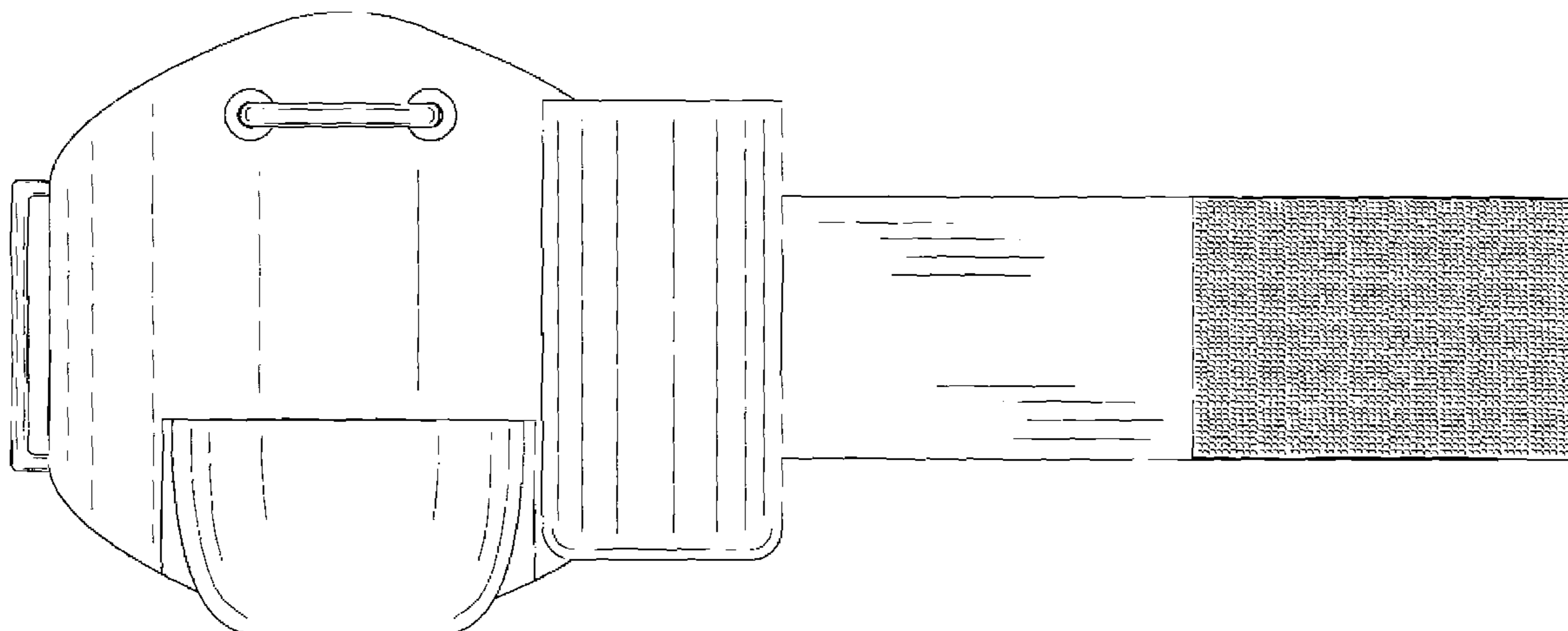
FIG. 3 is a right side elevation view;

FIG. 4 is a left side elevation view;

FIG. 5 is a top plan view; and,

FIG. 6 is a bottom plan view of a combined cell phone and glasses holder showing my new design.

1 Claim, 4 Drawing Sheets



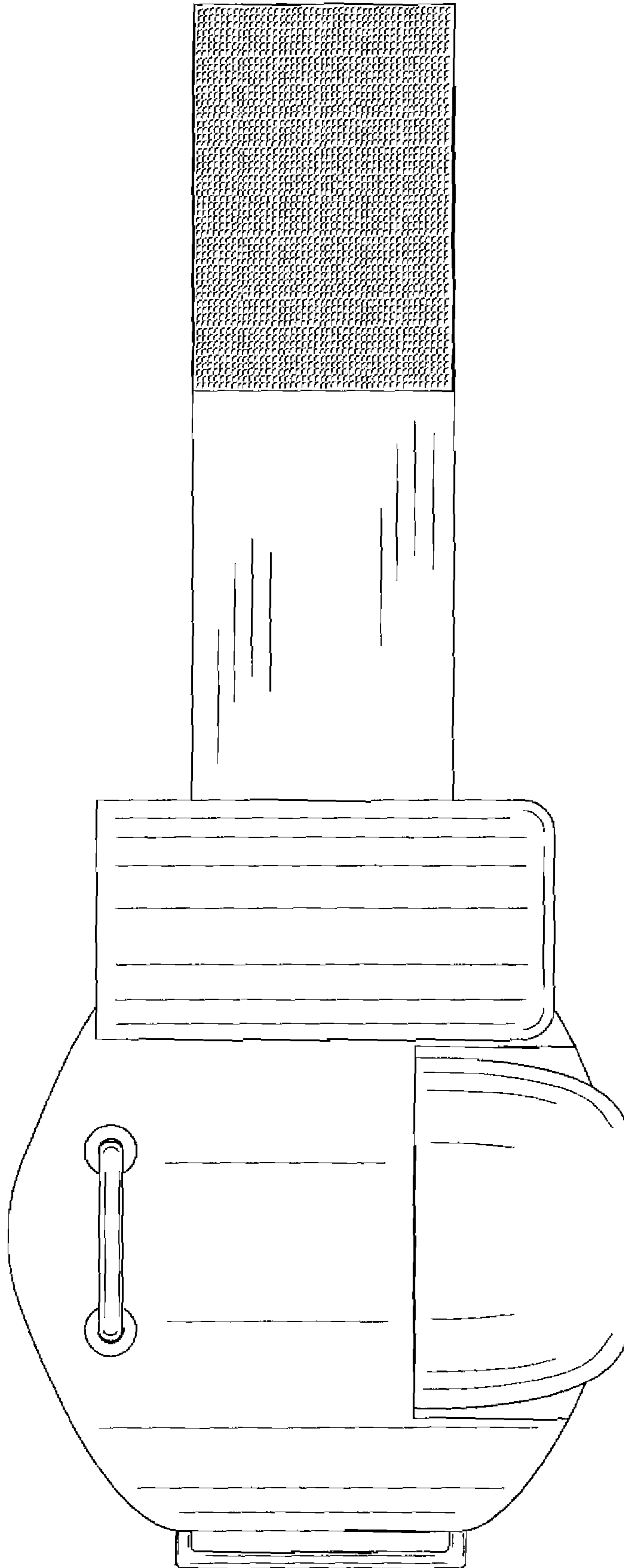


FIG. 1

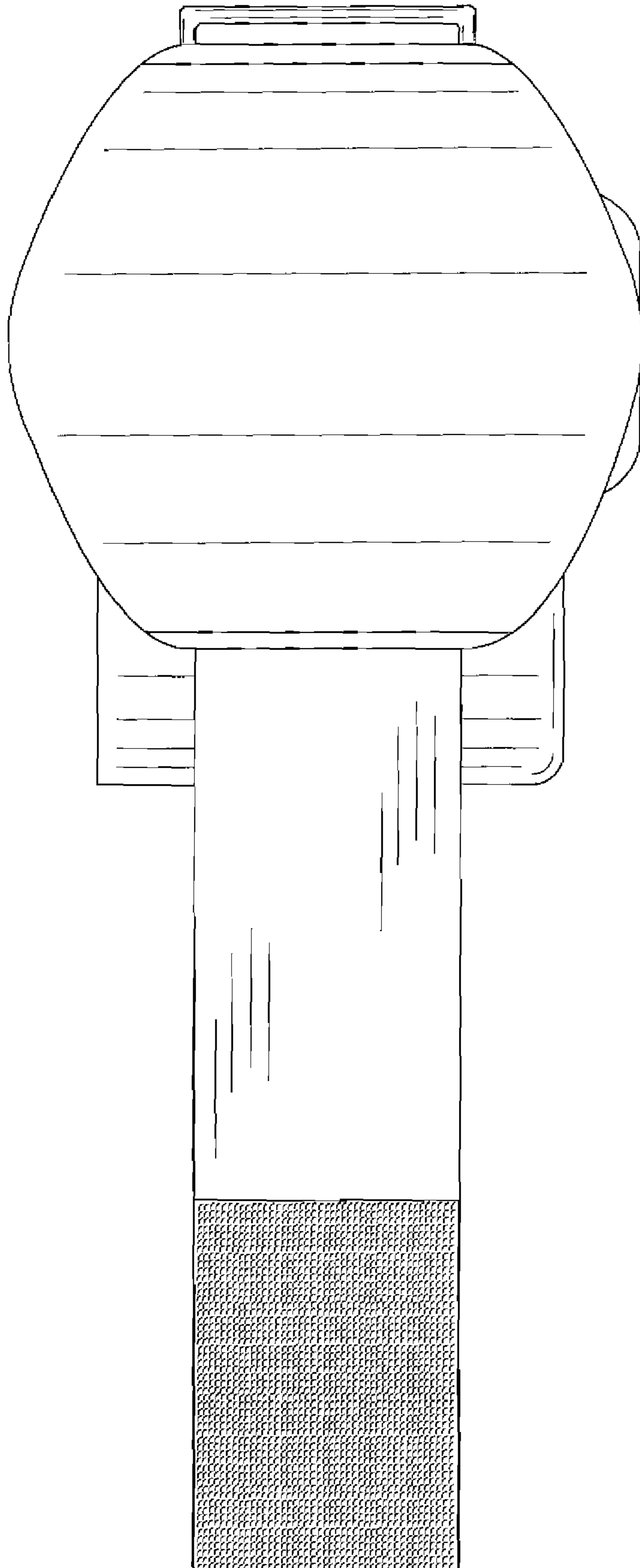


FIG. 2

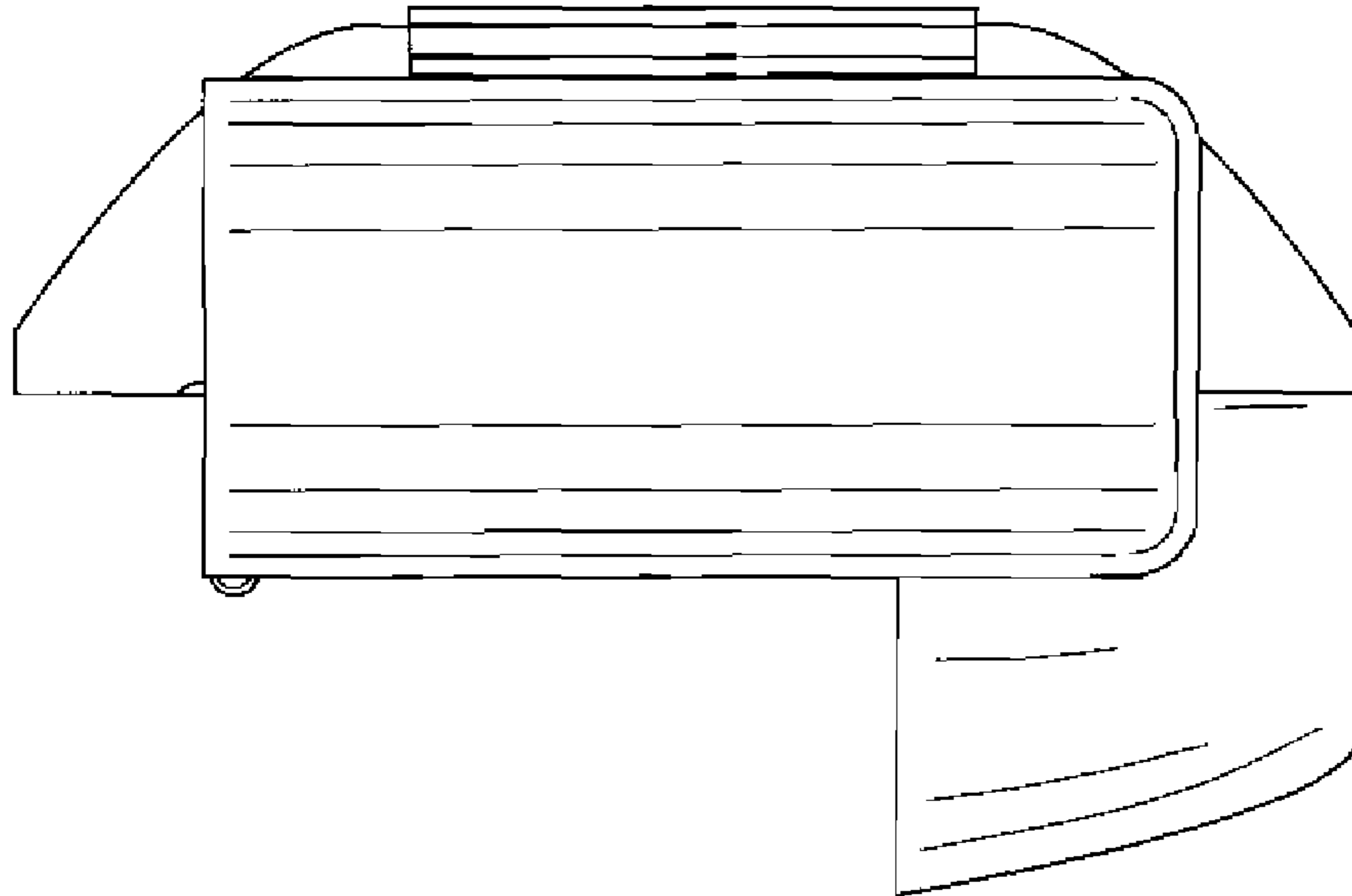


FIG. 4

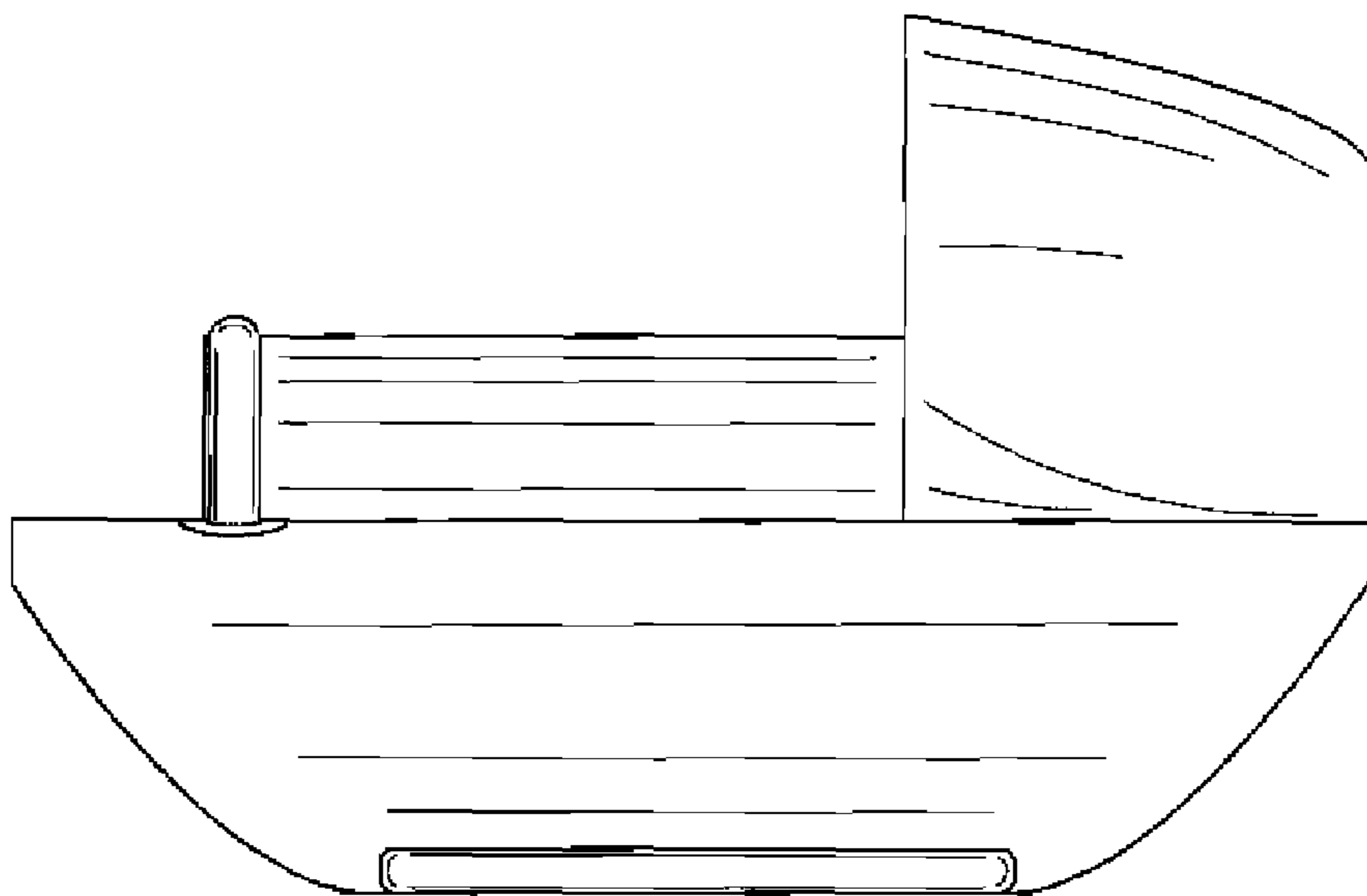


FIG. 3

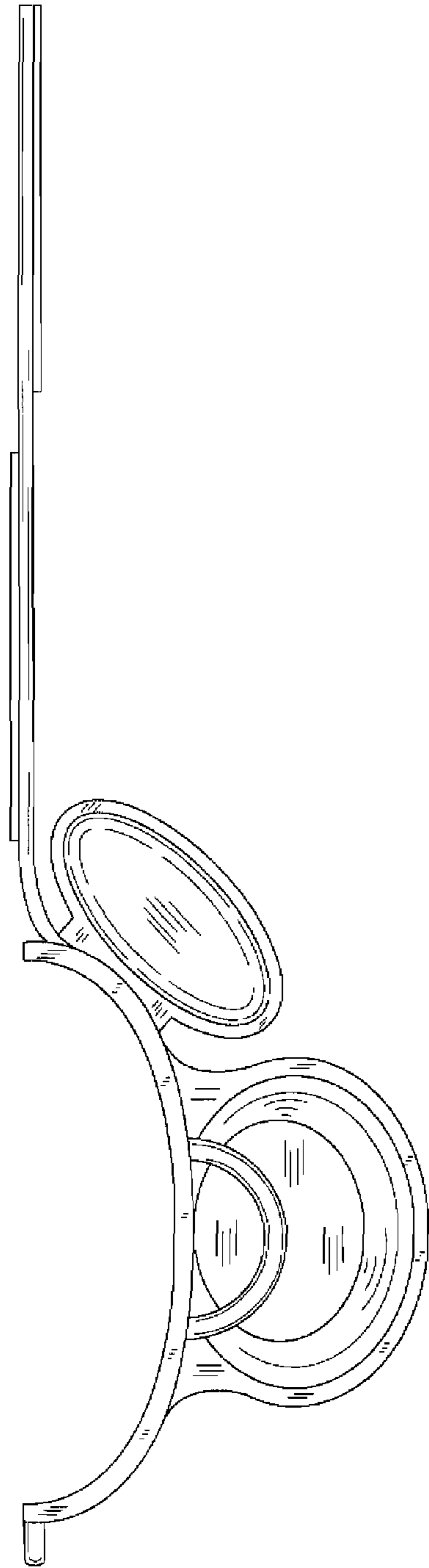


FIG. 5



FIG. 6