

US00D548955S

(12) **United States Design Patent**
Ramsell

(10) **Patent No.:** **US D548,955 S**

(45) **Date of Patent:** **** Aug. 21, 2007**

(54) **CARRYING CASE FOR MUSICAL INSTRUMENT**

(75) Inventor: **Craig Ramsell**, Sedona, AZ (US)

(73) Assignee: **Whacky Music, Inc.**, Sedona, AZ (US)

(**) Term: **14 Years**

(21) Appl. No.: **29/201,752**

(22) Filed: **Mar. 18, 2004**

(51) **LOC (8) Cl.** **03-01**

(52) **U.S. Cl.** **D3/204; D3/315; D3/316**

(58) **Field of Classification Search** D3/201,
D3/204, 269, 315-316; D8/383, 396; D17/20,
D17/22, 99; 84/453; 211/85.6; 224/910;
150/162

See application file for complete search history.

(56) **References Cited**

U.S. PATENT DOCUMENTS

D268,223 S *	3/1983	Faulkner	D3/315
D291,745 S *	9/1987	Hansen	D3/315
D314,084 S *	1/1991	Azadmard	D3/315
D434,903 S *	12/2000	Bowman et al.	D3/315
D521,729 S *	5/2006	Matthews	D3/269

* cited by examiner

Primary Examiner—Ian Simmons

Assistant Examiner—Anna J. Burmeister

(74) *Attorney, Agent, or Firm*—Michael A. Glenn; Glenn Patent Group

(57) **CLAIM**

The ornamental design for a carrying case for musical instrument, as shown and described.

DESCRIPTION

FIG. 1 is a top, front, end views of a carrying case for musical instrument in the rolled position, according to the invention;

FIG. 2 is an end view thereof;

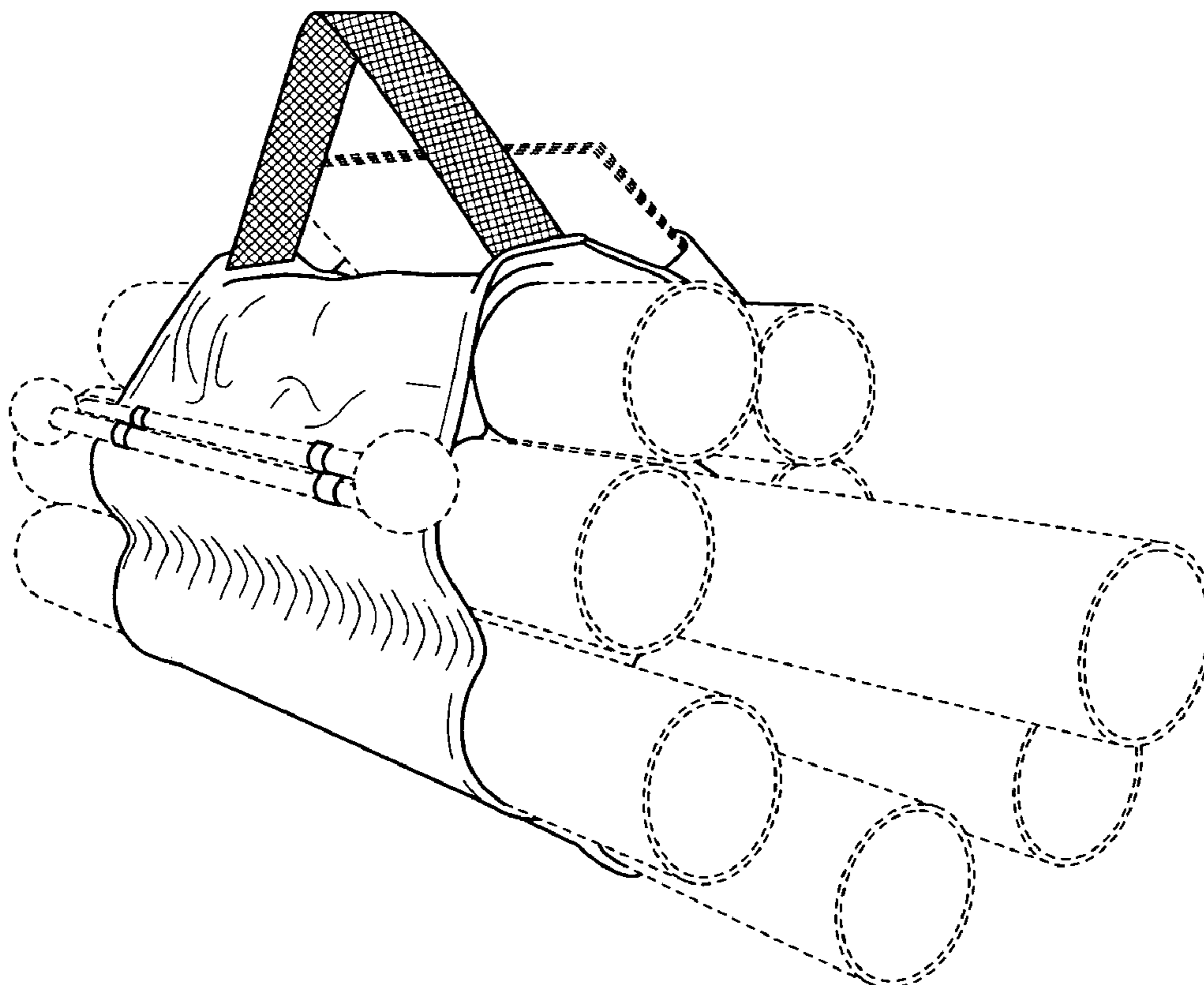
FIG. 3 is a top plan view of a carrying case for musical instrument in the unrolled position with the handle shown removed for ease of illustration; and,

FIG. 4 is a bottom plan view thereof.

The cross-hatched lining shown on the handle represents a textured fabric surface.

The rectangular shape with stippled shading shown in the FIG. 3 drawing view represents a textured fastening device.

1 Claim, 2 Drawing Sheets



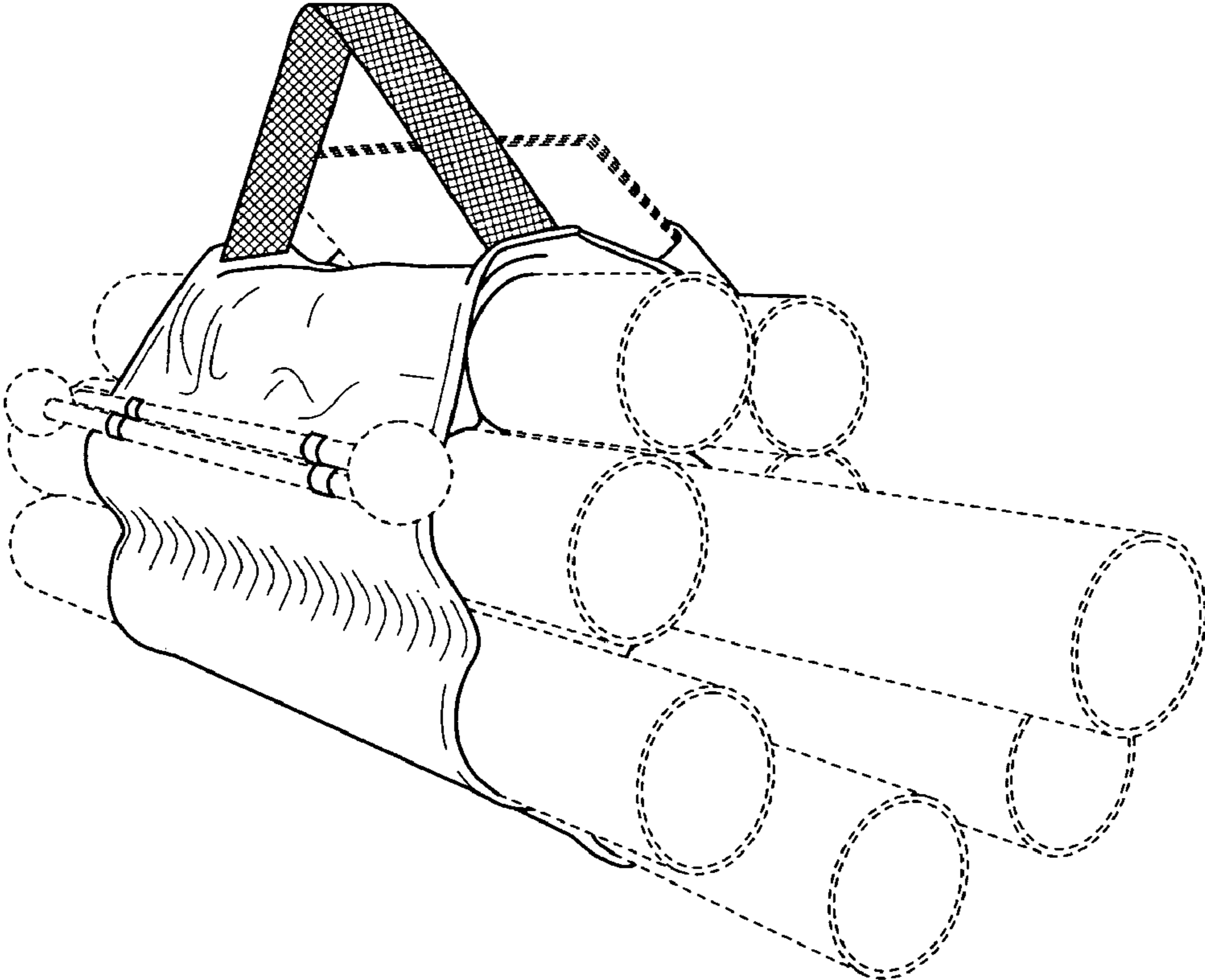


FIG. 1

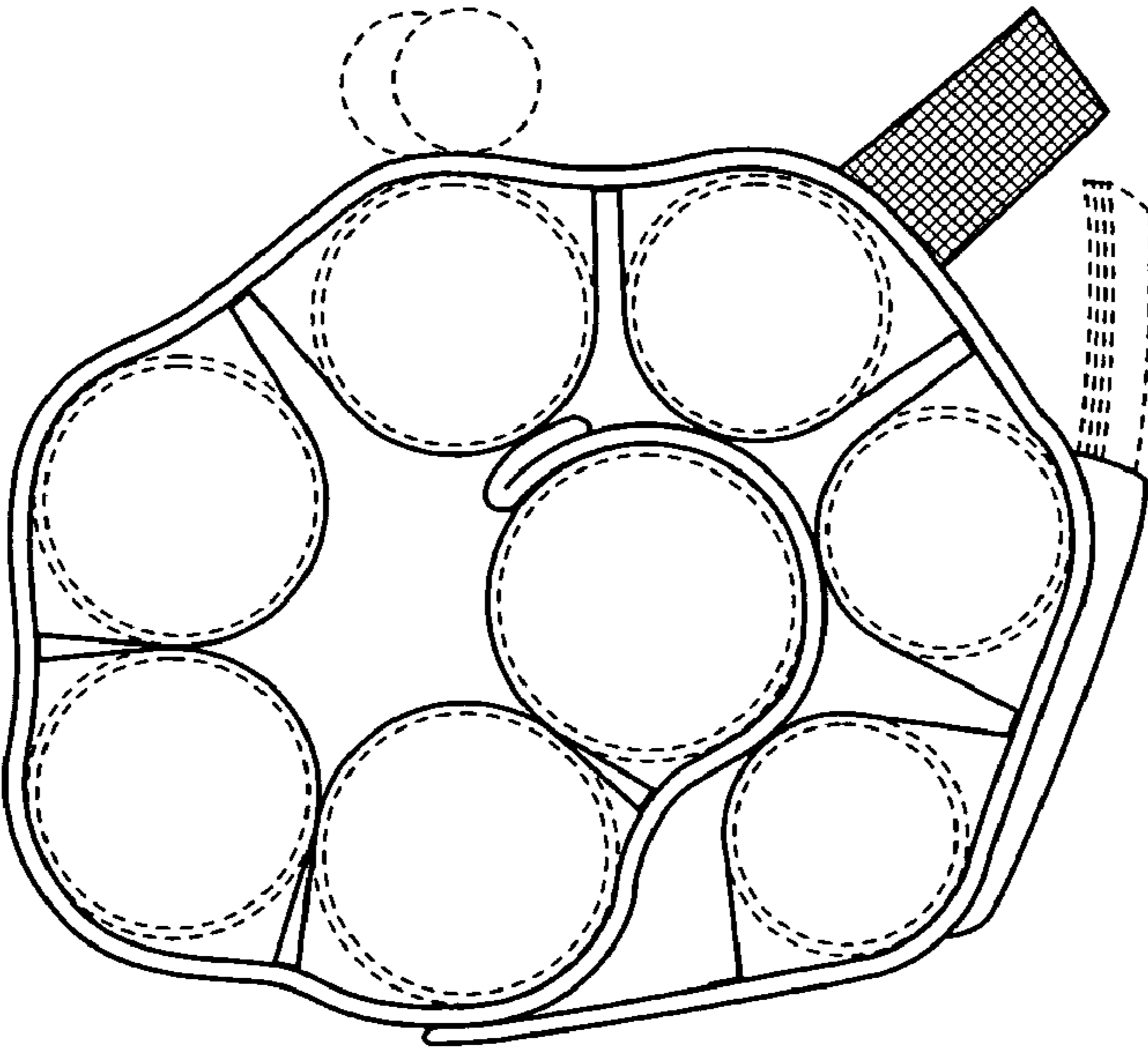


FIG. 2

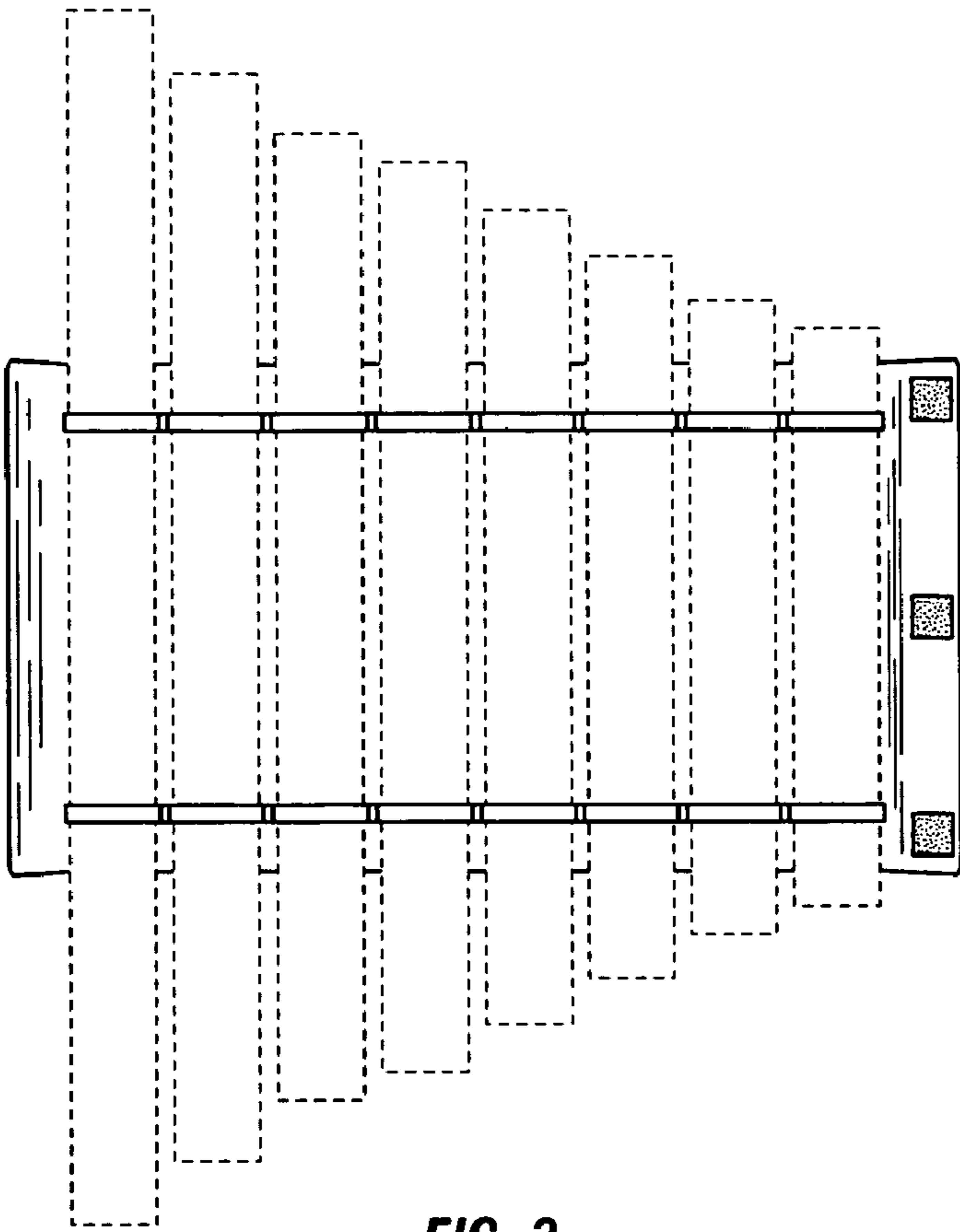


FIG. 3

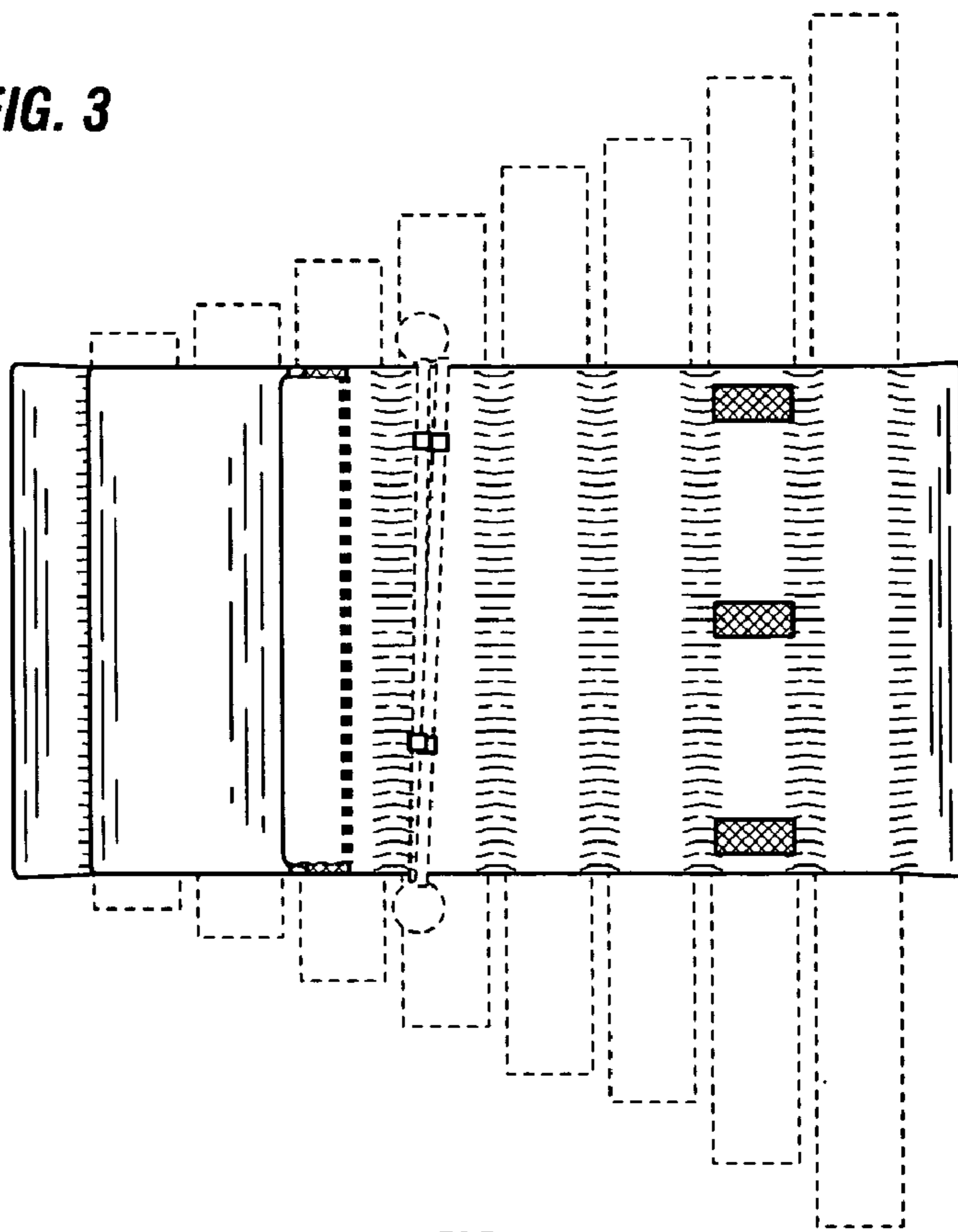


FIG. 4