

US00D548932S

(12) **United States Design Patent**
Choi

(10) **Patent No.:** **US D548,932 S**

(45) **Date of Patent:** **** Aug. 21, 2007**

(54) **SHOE**

(75) Inventor: **Sandra Choi**, London (GB)

(73) Assignee: **J. Choo (Jersey) Limited**, St. Helier, Jersey (GB)

(**) Term: **14 Years**

(21) Appl. No.: **29/252,158**

(22) Filed: **Jan. 18, 2006**

(30) **Foreign Application Priority Data**

Jul. 19, 2005 (EM) 000378211-0015

(51) **LOC (8) Cl.** **02-04**

(52) **U.S. Cl.** **D2/917; D2/969**

(58) **Field of Classification Search** D2/917,
D2/896, 916, 923-927, 946, 969, 971; D11/14,
D11/16; 36/45, 11.5, 101, 136

See application file for complete search history.

(56) **References Cited**

U.S. PATENT DOCUMENTS

1,977,995	A *	10/1934	Morali	36/11.5
D200,697	S *	3/1965	Joiner	D2/917
3,290,802	A *	12/1966	Fukuoka	36/11.5
D207,163	S *	3/1967	Fukuoka	D2/917
D234,928	S *	4/1975	Tunnell	D2/896
D419,283	S *	1/2000	Coito	D2/917
D501,710	S	2/2005	Choi		
D515,798	S	2/2006	Choi		
D517,793	S	3/2006	Choi		

2004/0093765 A1* 5/2004 Baldwin 36/101

OTHER PUBLICATIONS

U.S. Appl. No. 29/244,712, filed on Dec. 12, 2005.

* cited by examiner

Primary Examiner—Stella Reid

Assistant Examiner—Rashida C. McCoy

(74) *Attorney, Agent, or Firm*—Fross Zelnick Lehrman & Zissu, P.C.; Lawrence E. Apolzon, Esq.

(57) **CLAIM**

The ornamental design for a shoe, as shown and described.

DESCRIPTION

FIG. 1 is a front perspective view of a shoe showing my new design;

FIG. 2 is a left side view thereof;

FIG. 3 is a right side view thereof;

FIG. 4 is a top plan view thereof;

FIG. 5 is a front view thereof;

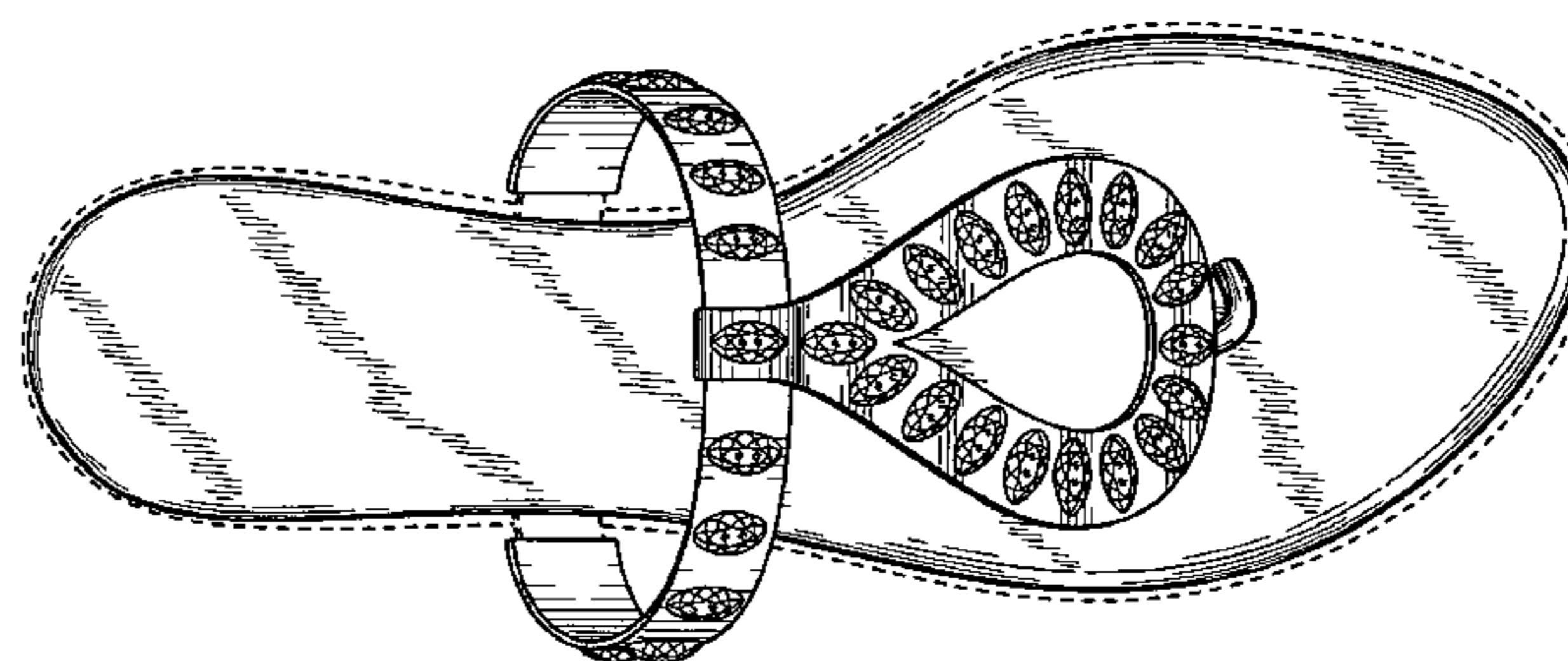
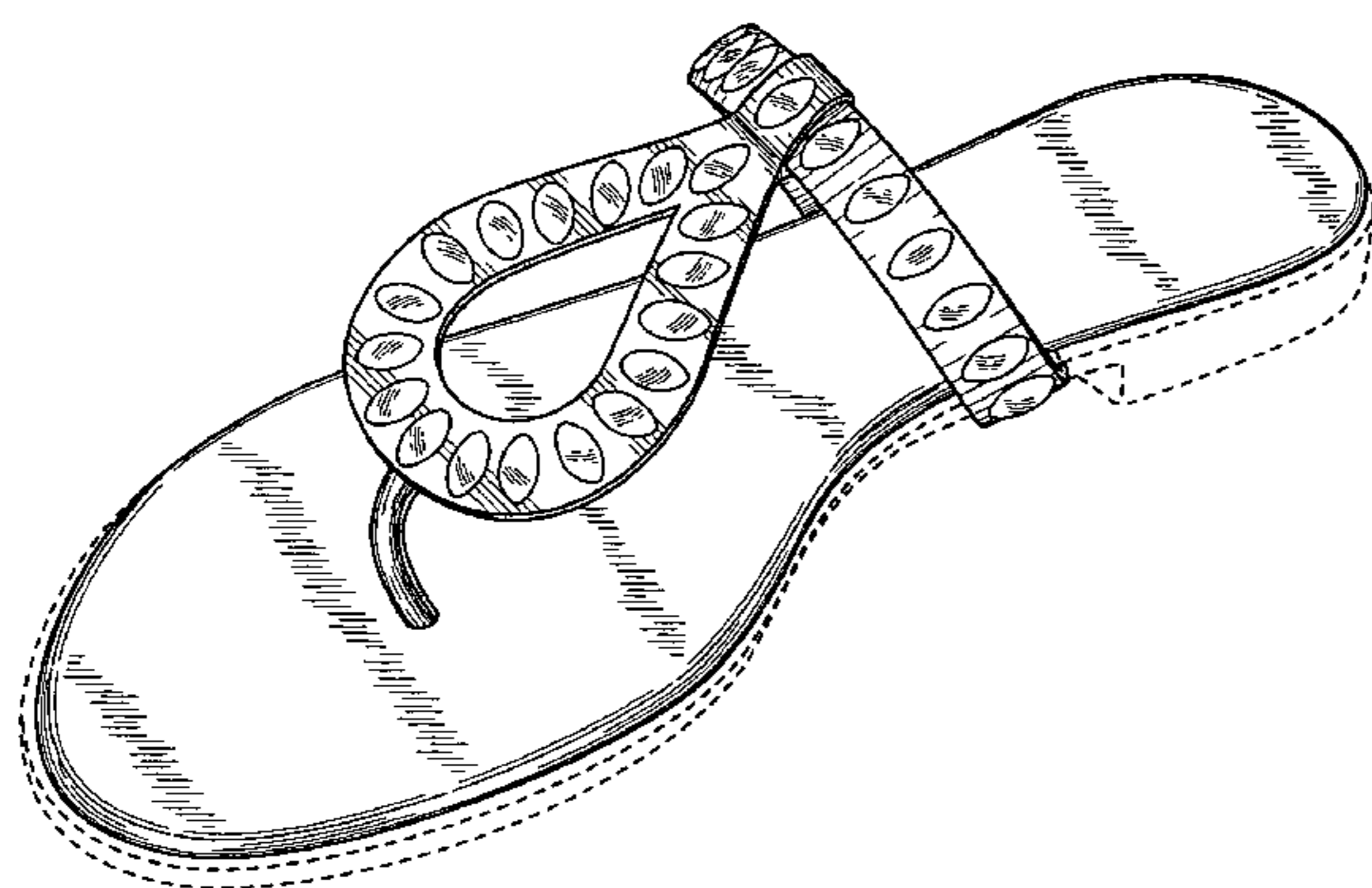
FIG. 6 is a top plan view of an alternative embodiment of the shoe shown in FIG. 1;

FIG. 7 is a left side view of an alternative embodiment of the shoe shown in FIG. 6; and,

FIG. 8 is a right side view of an alternative embodiment of the shoe shown in FIG. 6.

The broken line showing of the sole, heel, and stretch-piece attaching the cross-strap to the sock liner is for illustrative purposes only and forms no part of the claimed design.

1 Claim, 8 Drawing Sheets



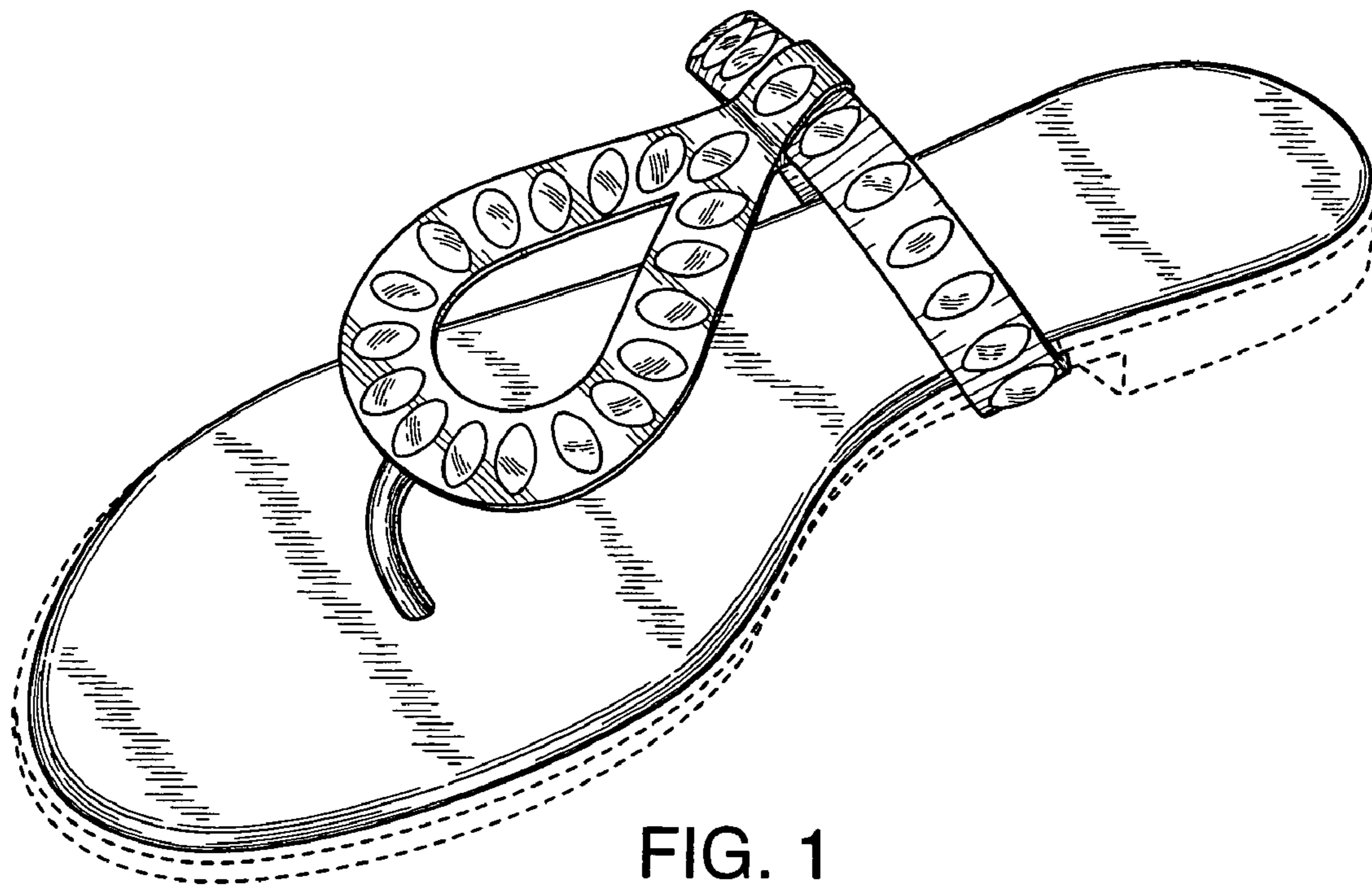


FIG. 1

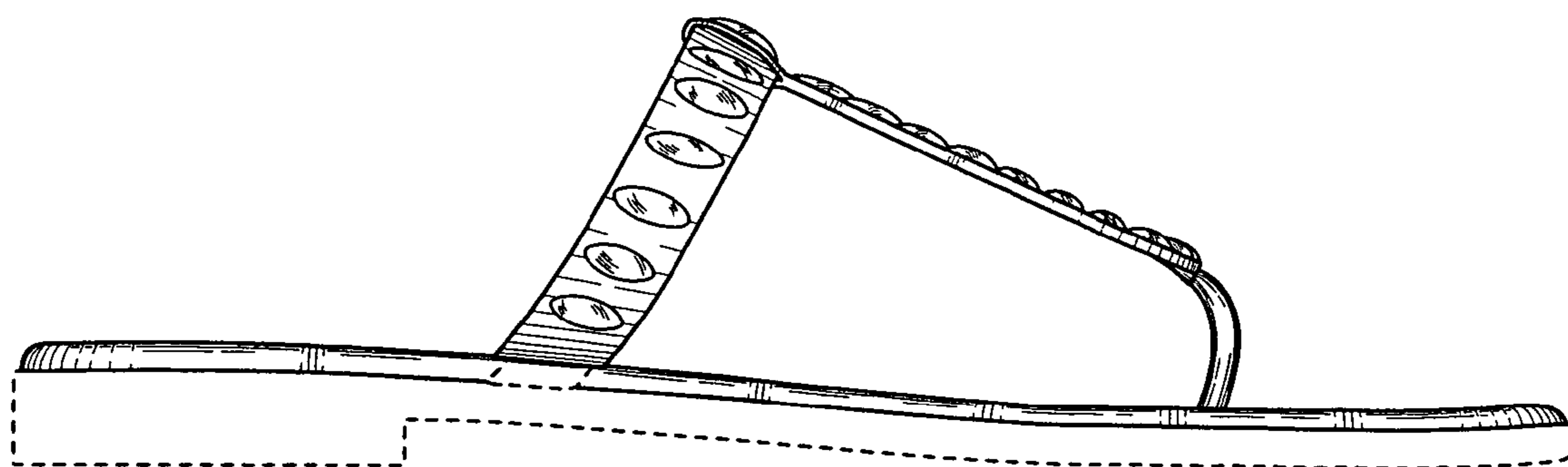


FIG. 2

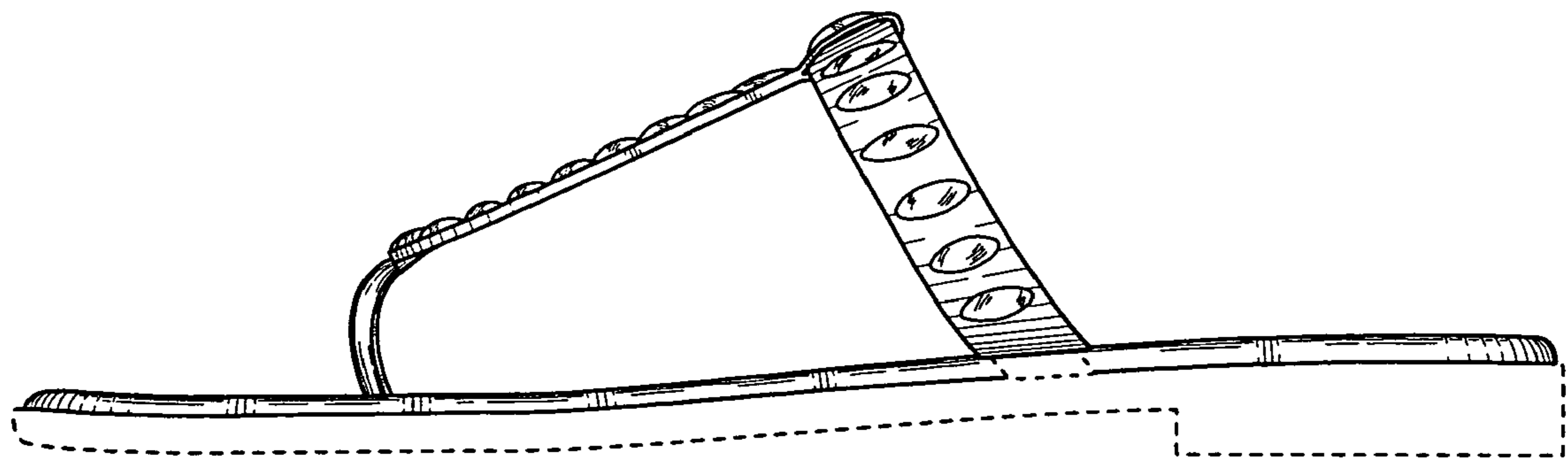


FIG. 3

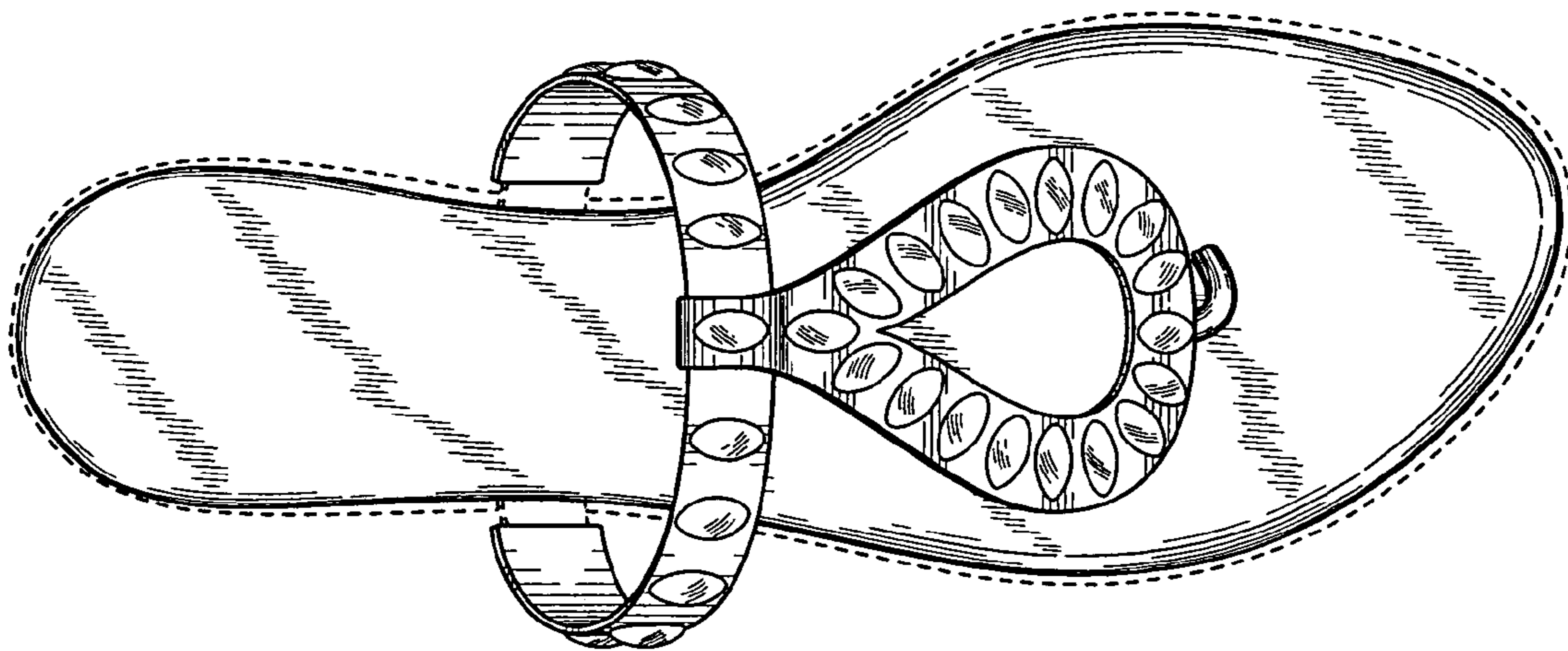


FIG. 4

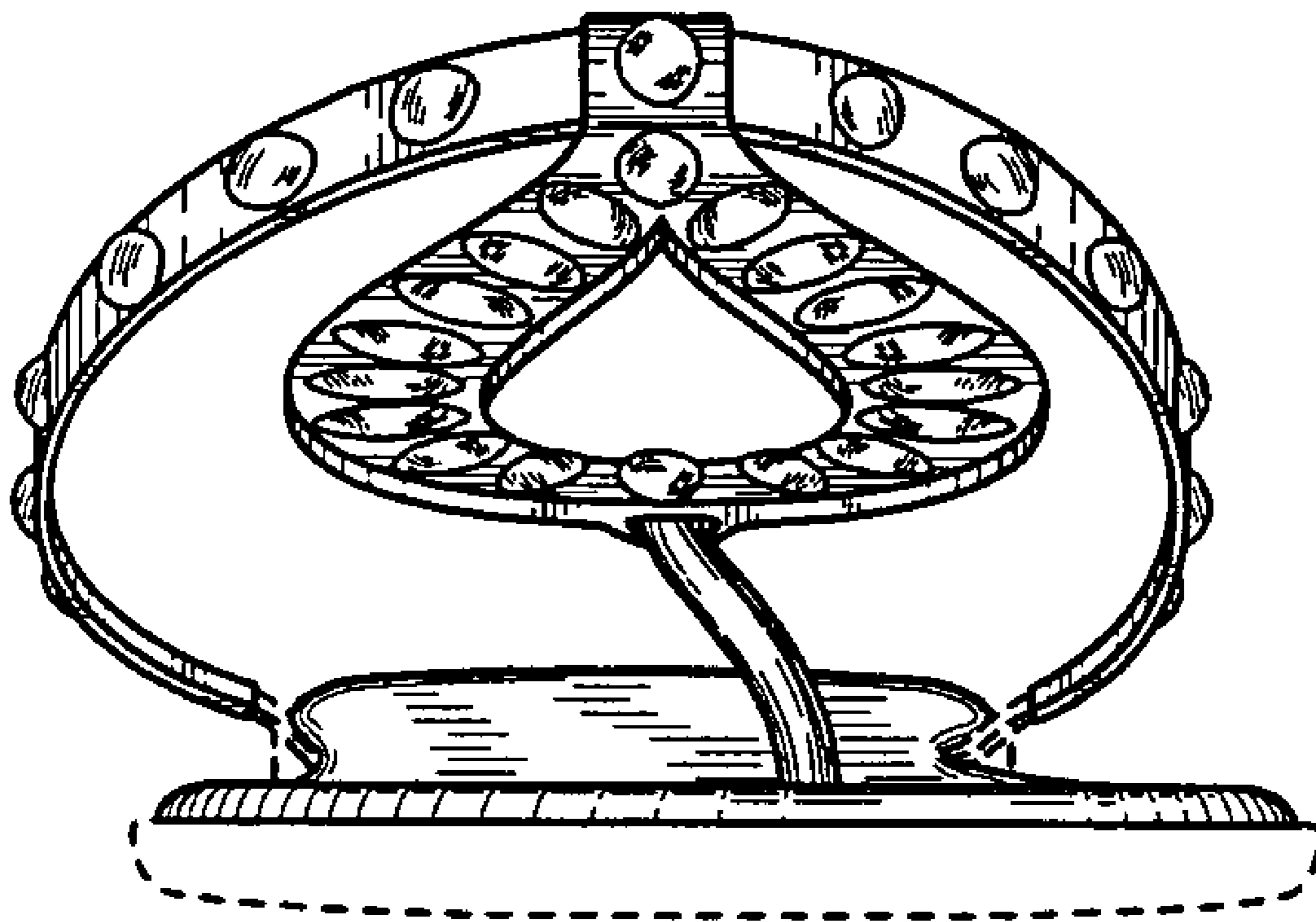


FIG. 5

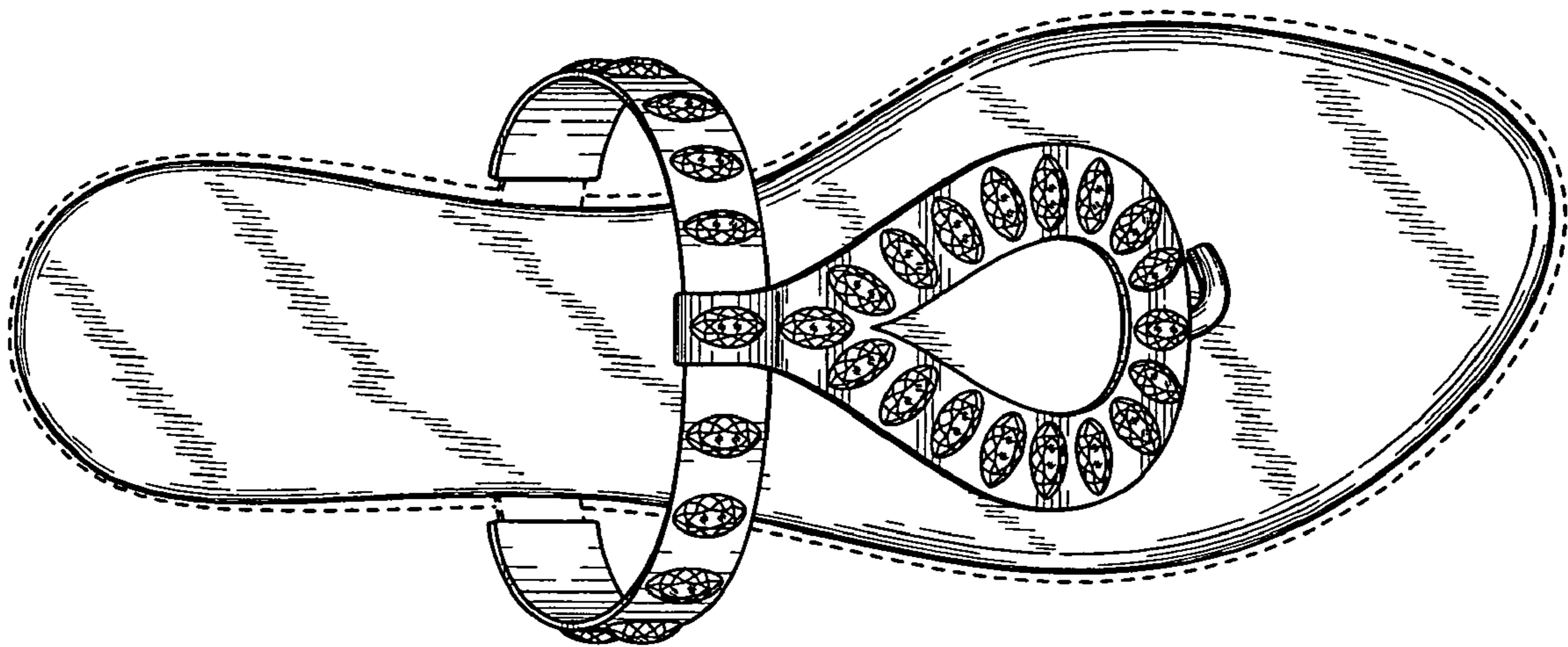


FIG. 6

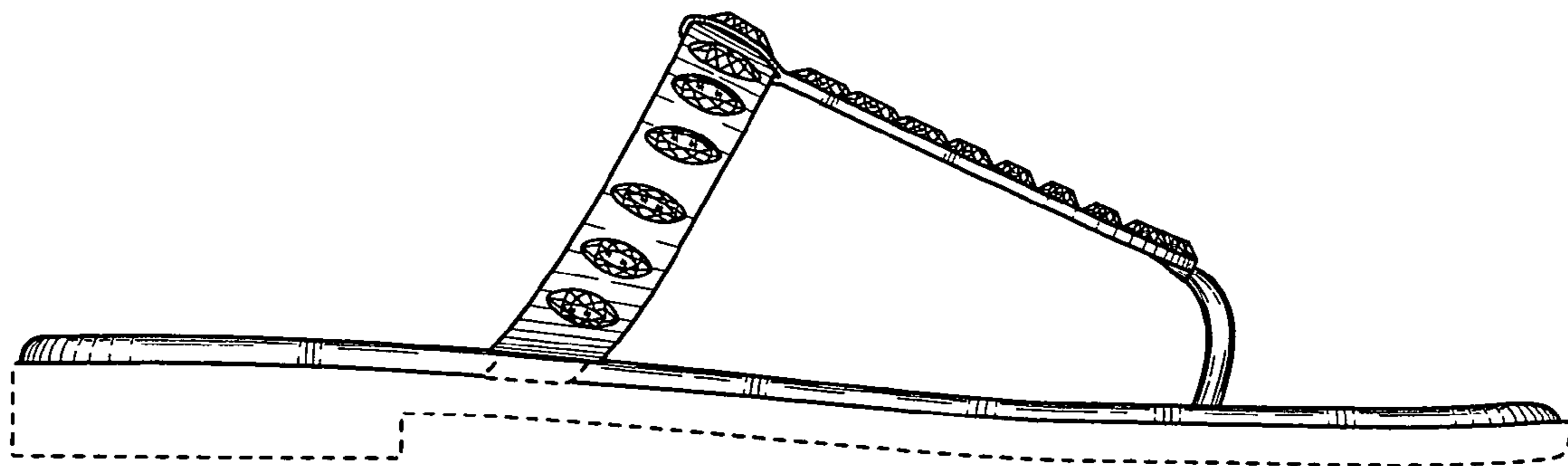


FIG. 7

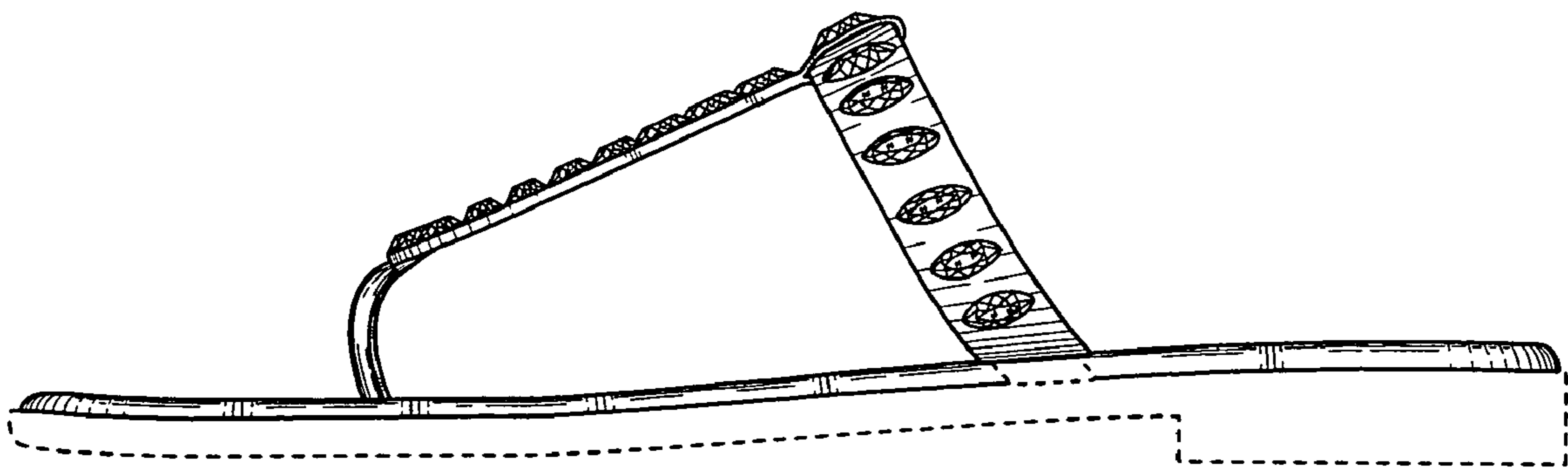


FIG. 8