

US00D548922S

(12) **United States Design Patent**
Hernandez

(10) **Patent No.:** **US D548,922 S**

(45) **Date of Patent:** **** Aug. 14, 2007**

(54) **QUAD CASTER JACK APPARATUS**

(75) Inventor: **Hector R. Hernandez**, Fullerton, CA
(US)

(73) Assignee: **Alltrade Tools LLC**, Long Beach, CA
(US)

(**) Term: **14 Years**

(21) Appl. No.: **29/276,496**

(22) Filed: **Jan. 26, 2007**

Related U.S. Application Data

(63) Continuation of application No. 29/236,626, filed on
Aug. 17, 2005, now Pat. No. Des. 537,225.

(51) **LOC (8) Cl.** **12-05**

(52) **U.S. Cl.** **D34/31**

(58) **Field of Classification Search** D34/28,
D34/31; 254/873, 93 H, 2 B, DIG. 3, 11,
254/45, DIG. 8

See application file for complete search history.

(56) **References Cited**

U.S. PATENT DOCUMENTS

2,133,839	A *	10/1938	Addor	362/139
2,188,677	A *	1/1940	Dickinson	362/496
2,219,903	A *	10/1940	Pfauser	362/486
2,568,289	A *	9/1951	Morey	254/8 B
2,580,699	A *	1/1952	Pfetzing	362/138
D211,267	S *	6/1968	Freudenthal et al.	D34/31
D235,751	S *	7/1975	Butorac	D34/31
3,936,668	A *	2/1976	Siebel	362/486
D245,493	S *	8/1977	Kenig	D34/31
4,222,548	A *	9/1980	John	254/8 B
4,241,899	A *	12/1980	Kaneko	254/8 B
4,241,900	A *	12/1980	Okuda	254/8 B
4,251,056	A *	2/1981	Maniglia	254/8 B
4,277,048	A *	7/1981	Okuda	254/8 B
D263,036	S *	2/1982	Hung	D34/31
D263,128	S *	2/1982	Glover et al.	D34/31
D286,934	S *	11/1986	Hung	D34/31

4,629,391	A *	12/1986	Soyk et al.	414/563
4,704,062	A *	11/1987	Hale	414/494
4,765,593	A *	8/1988	Hung	254/8 B
4,886,243	A *	12/1989	Trumbull	254/88
5,201,494	A *	4/1993	Lundman	254/8 B
D345,843	S *	4/1994	Collins	D34/31
5,345,845	A *	9/1994	Myers	81/57.29
D364,026	S *	11/1995	Hung	D34/31
5,477,406	A *	12/1995	Schaeffer et al.	360/130.33
D388,926	S *	1/1998	Sorensen	D34/31
D398,730	S *	9/1998	Lin	D34/31
5,947,447	A *	9/1999	Sorensen	254/1
D416,370	S *	11/1999	Hung	D34/31
D425,282	S *	5/2000	Sorensen	D34/31
D442,345	S *	5/2001	Lee et al.	D34/31
D449,915	S *	10/2001	Chang	D34/31
D485,039	S *	1/2004	Hussaini et al.	D34/31
D537,225	S *	2/2007	Hernandez	D34/31

* cited by examiner

Primary Examiner—Cynthia E. Ramirez

(74) *Attorney, Agent, or Firm*—Fulwider Patton LLP

(57) **CLAIM**

The ornamental design for a quad caster jack apparatus, as shown and described.

DESCRIPTION

FIG. 1 is a perspective view of a quad caster jack apparatus of the present invention;

FIG. 2 is an enlarged perspective view of a quad caster jack of FIG. 1;

FIG. 3 is a side elevation view of the quad caster jack of FIG. 1;

FIG. 4 is a top elevation view of the quad caster jack of FIG. 1;

FIG. 5 is a front elevation view of the quad caster jack of FIG. 1; and,

FIG. 6 is a rear elevation view of the quad caster jack of FIG. 1.

1 Claim, 5 Drawing Sheets

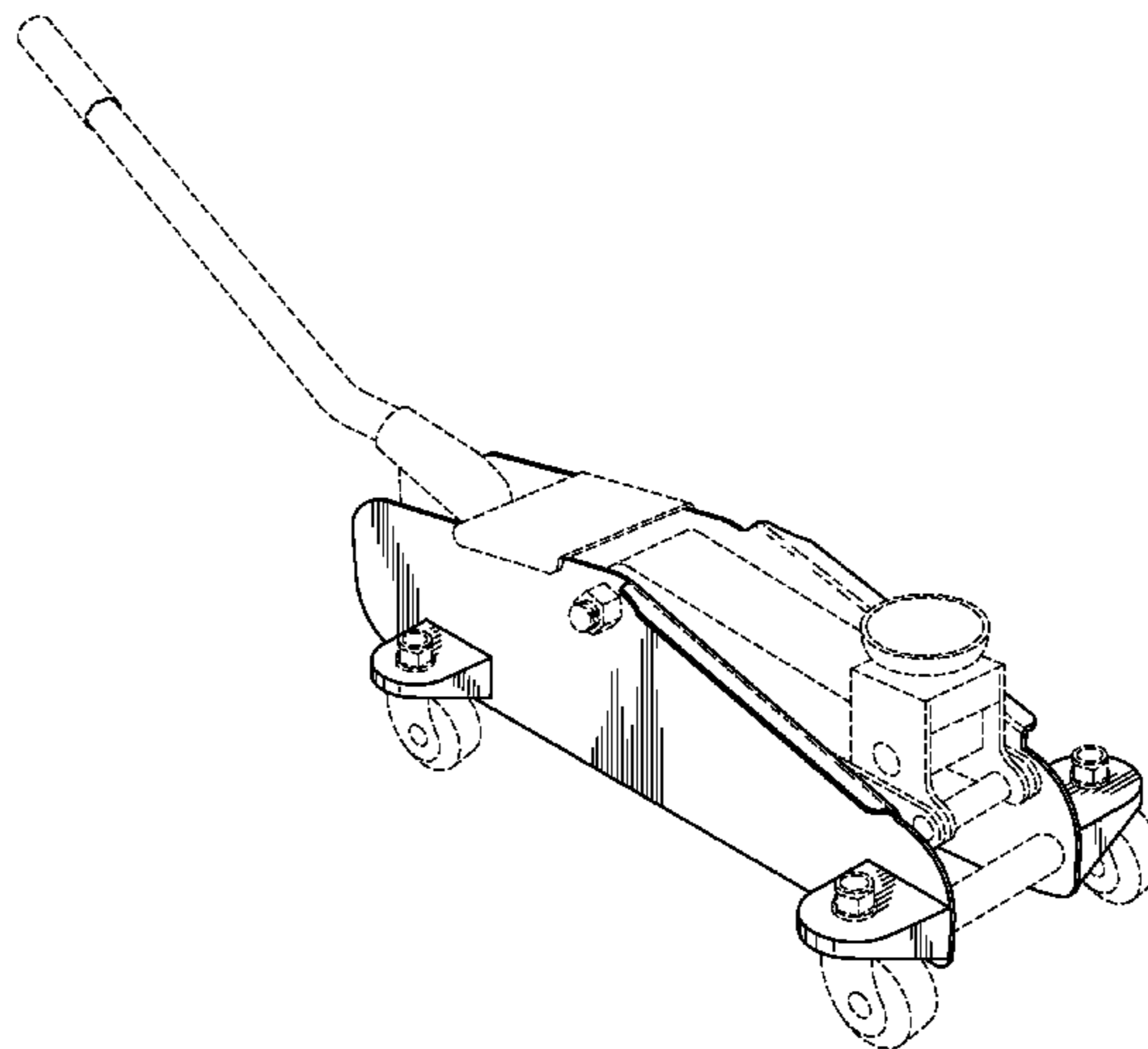
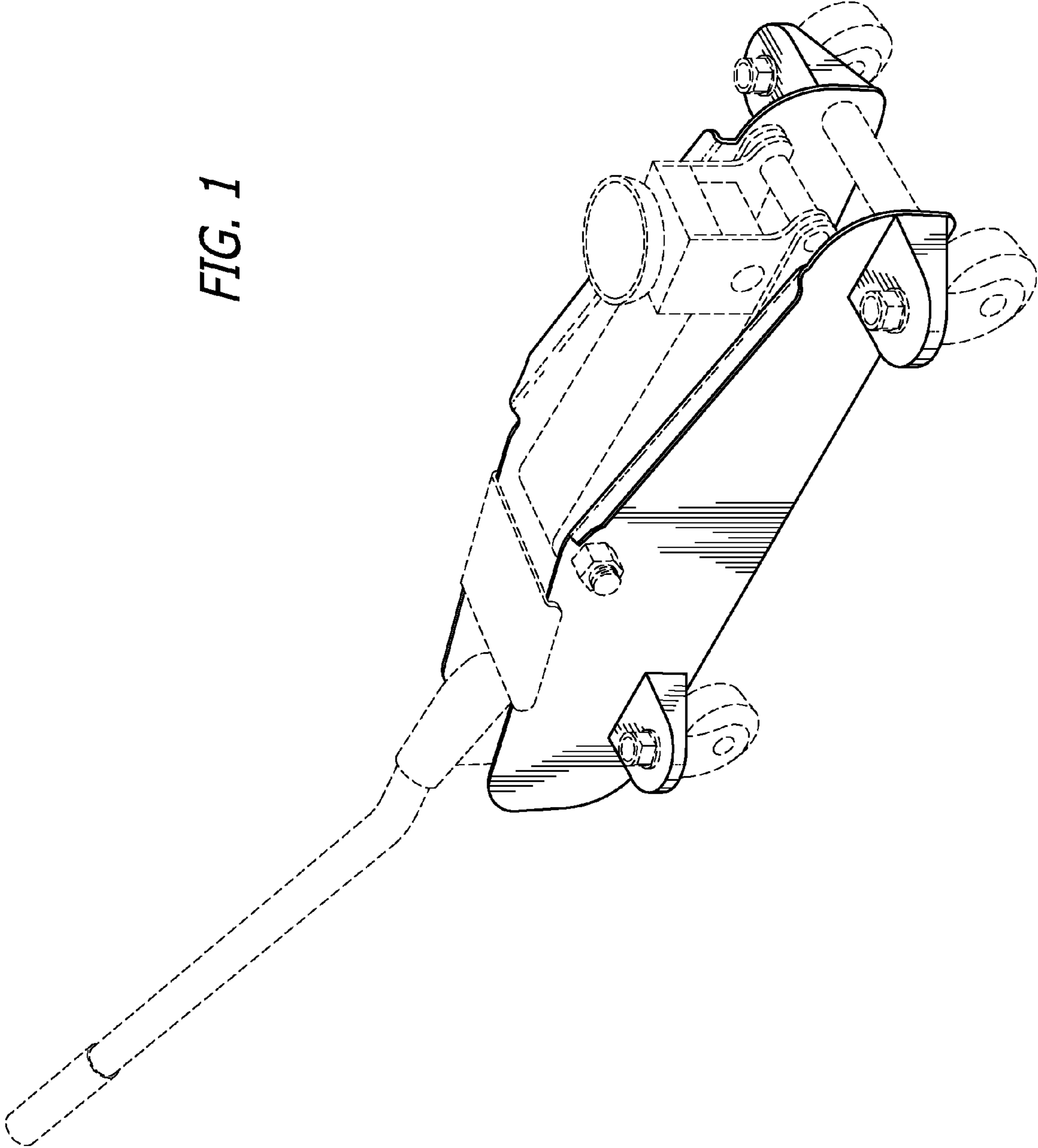


FIG. 1



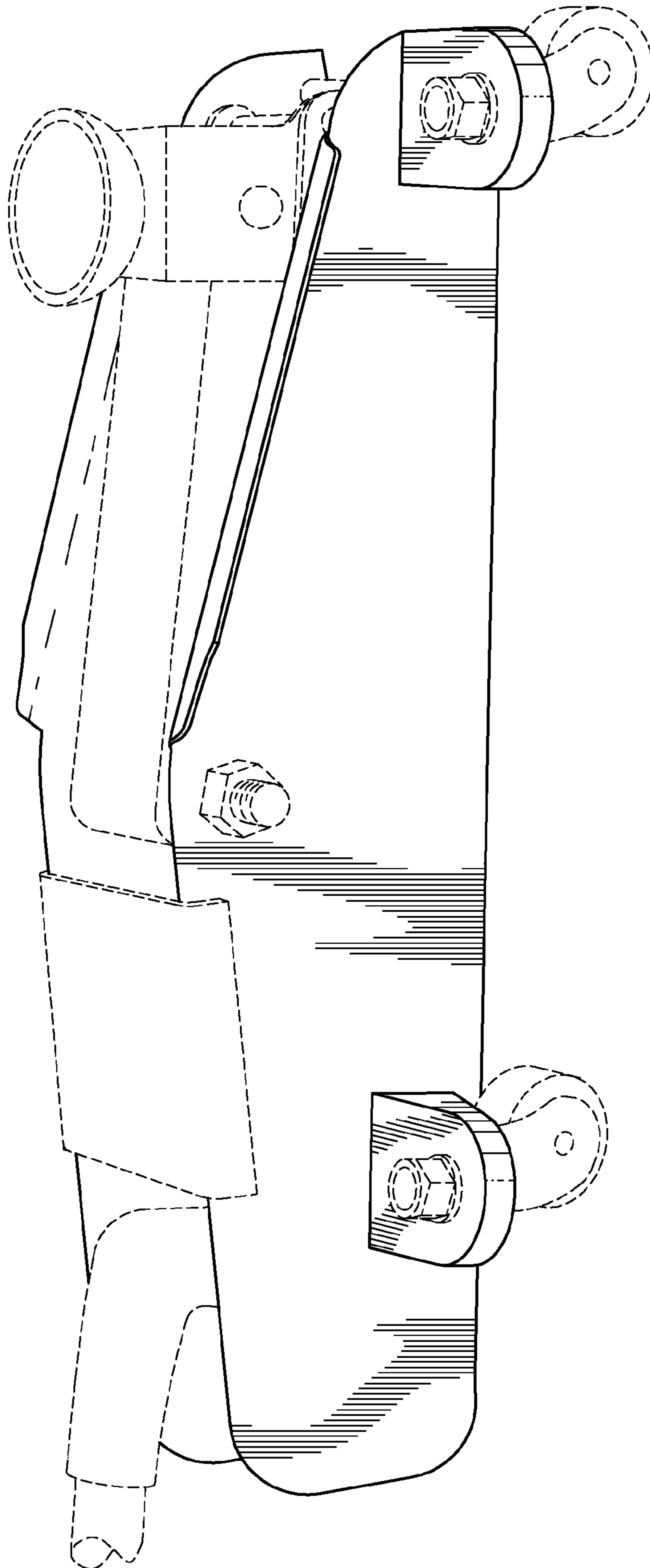


FIG. 2

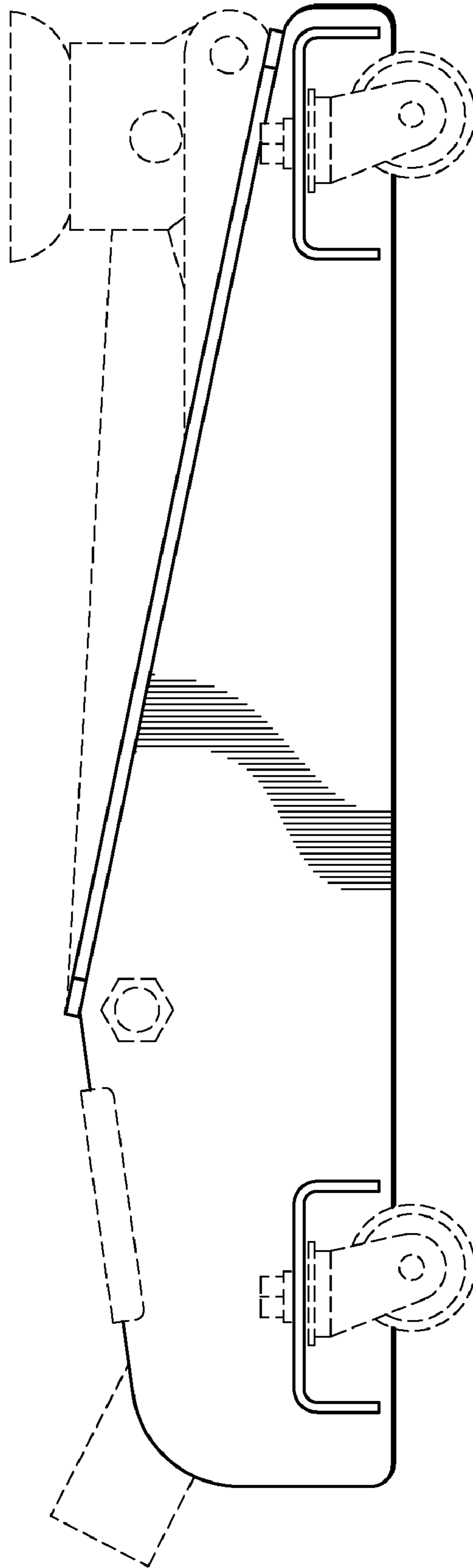


FIG. 3

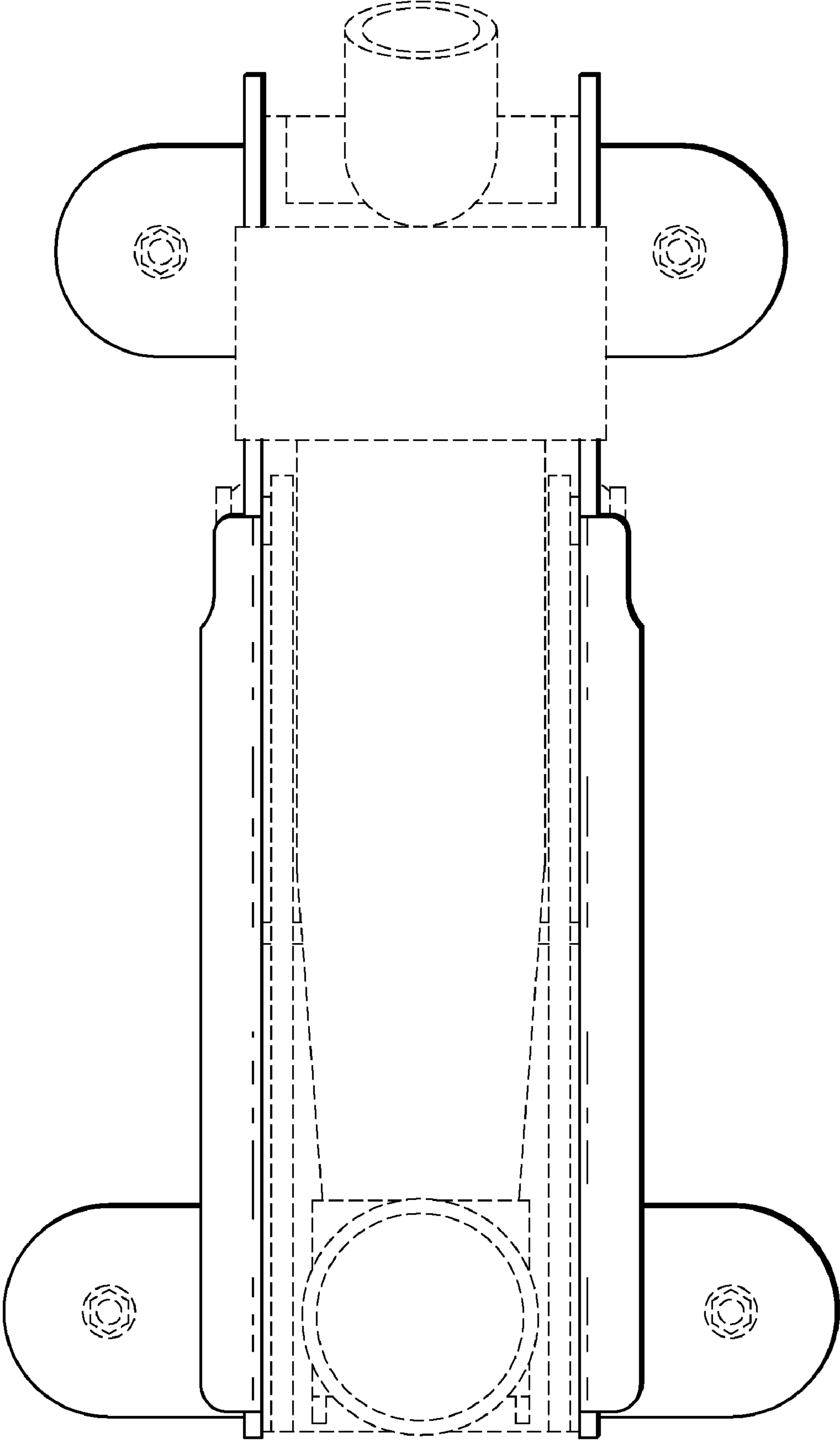


FIG. 4

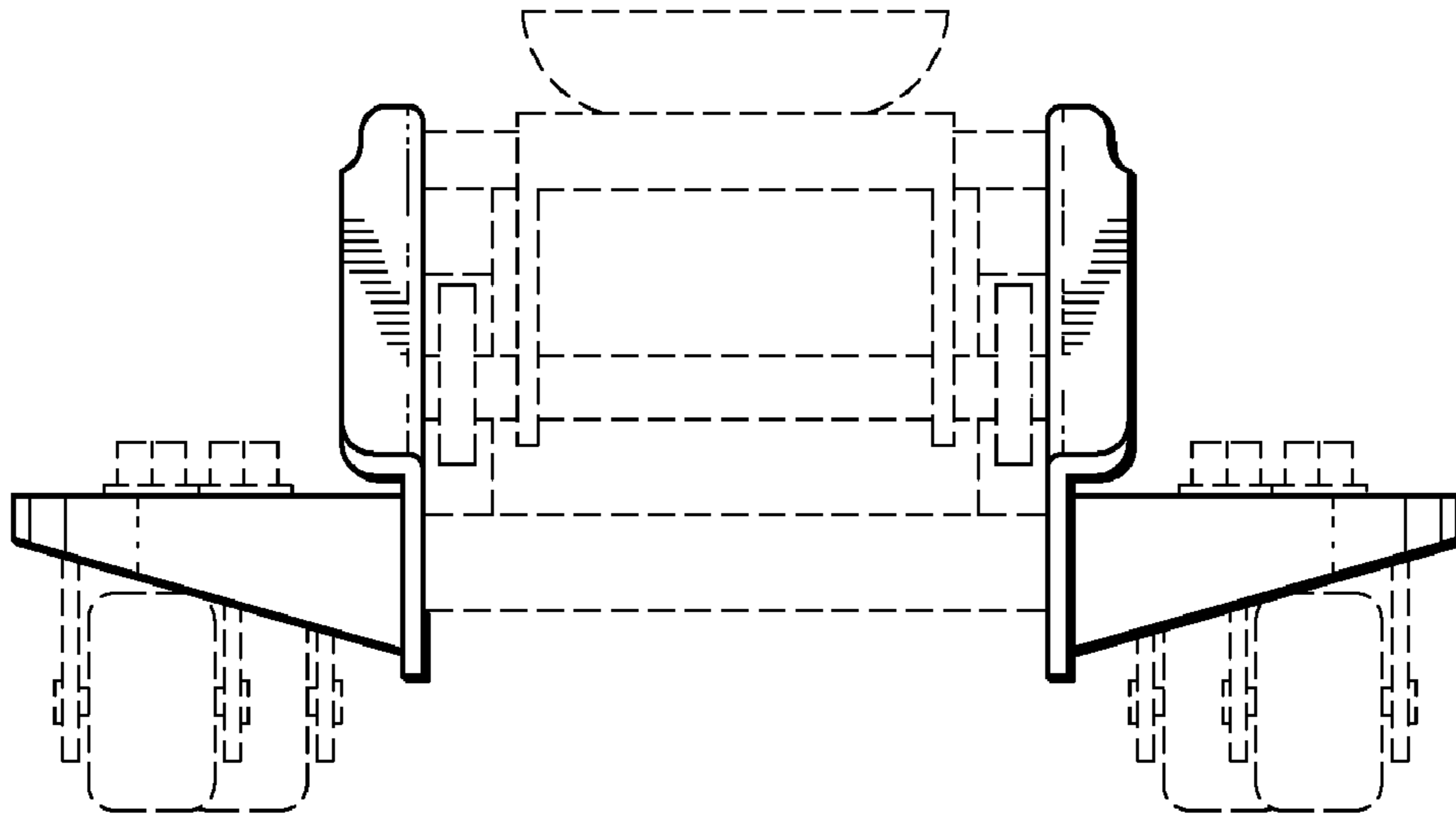


FIG. 5

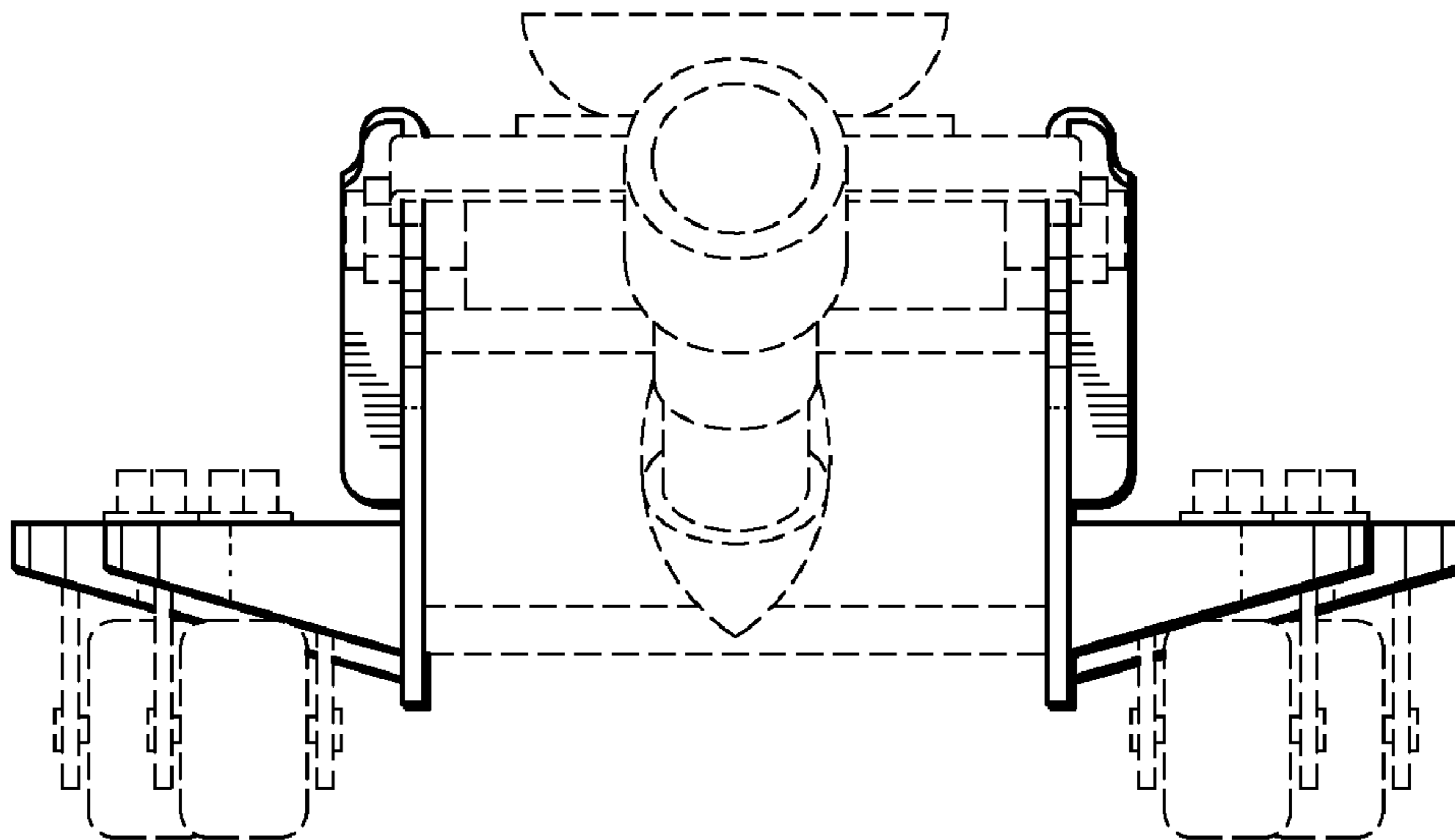


FIG. 6