

US00D548921S

(12) **United States Design Patent** (10) **Patent No.:** **US D548,921 S**
Gaddy (45) **Date of Patent:** **** Aug. 14, 2007**

(54) **COVER FOR SHOPPING CARTS**

Primary Examiner—Cynthia E. Ramirez

(76) Inventor: **Walter Gaddy**, 1202 S. McKinley St.,
Albany, GA (US) 31701

(57) **CLAIM**

(**) Term: **14 Years**

The ornamental design for a cover for shopping carts, as shown and described.

(21) Appl. No.: **29/261,424**

(22) Filed: **Jun. 15, 2006**

DESCRIPTION

(51) **LOC (8) Cl.** **12-02**

(52) **U.S. Cl.** **D34/27**

(58) **Field of Classification Search** D34/27,
D34/12-26; 280/33.994, 33.992; 296/100.16;
D12/133

See application file for complete search history.

An visually appealing and discrete ornamental design for a shopping cart that features a discrete cover as an effective means of protecting purchases from inclement weather while walking to the automobile.

(56) **References Cited**

FIG. 1 is a top perspective view of a cover for shopping carts showing my new design;

U.S. PATENT DOCUMENTS

FIG. 2 is a bottom perspective view;

3,994,505	A	11/1976	Balha	
4,487,134	A	12/1984	Footo	
4,643,280	A *	2/1987	Hensley	190/11
4,679,818	A	7/1987	Kakavas	
4,848,117	A *	7/1989	Welborn et al.	40/308
4,960,302	A	10/1990	Walters	
D321,966	S *	11/1991	Fuller	D34/27
5,271,634	A	12/1993	Walton	
D361,540	S	8/1995	Powers	
D484,664	S *	12/2003	Arceta	D34/27

FIG. 3 is a side perspective view;

FIG. 4 is the back perspective view;

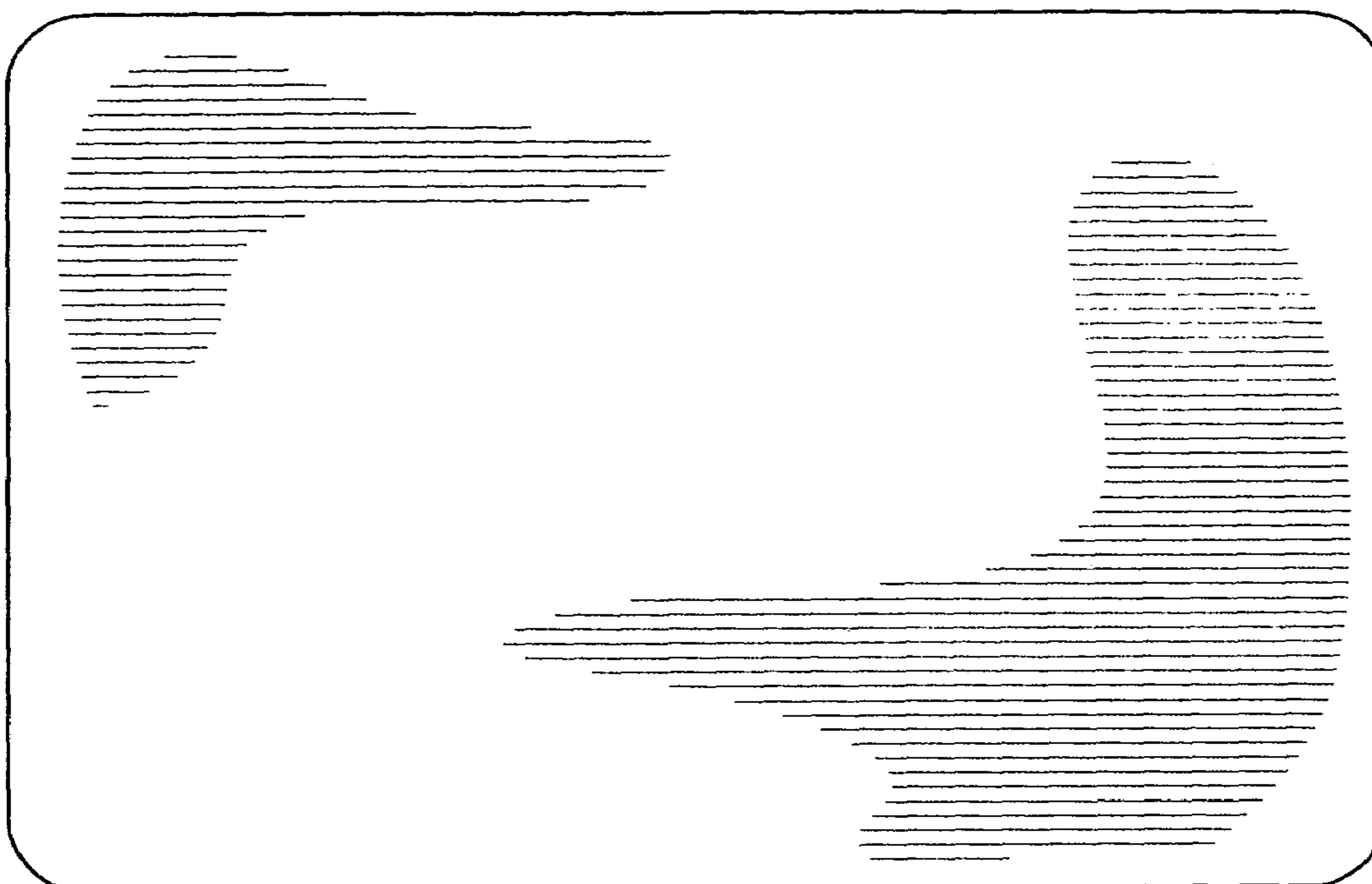
FIG. 5 is the front perspective view; and,

FIG. 6 is the isometric perspective view of the design being used on a shopping cart.

The broken line showing of a cart in FIG. 6 is included for the purpose of illustrating environment and forms no part of the claimed design.

* cited by examiner

1 Claim, 3 Drawing Sheets



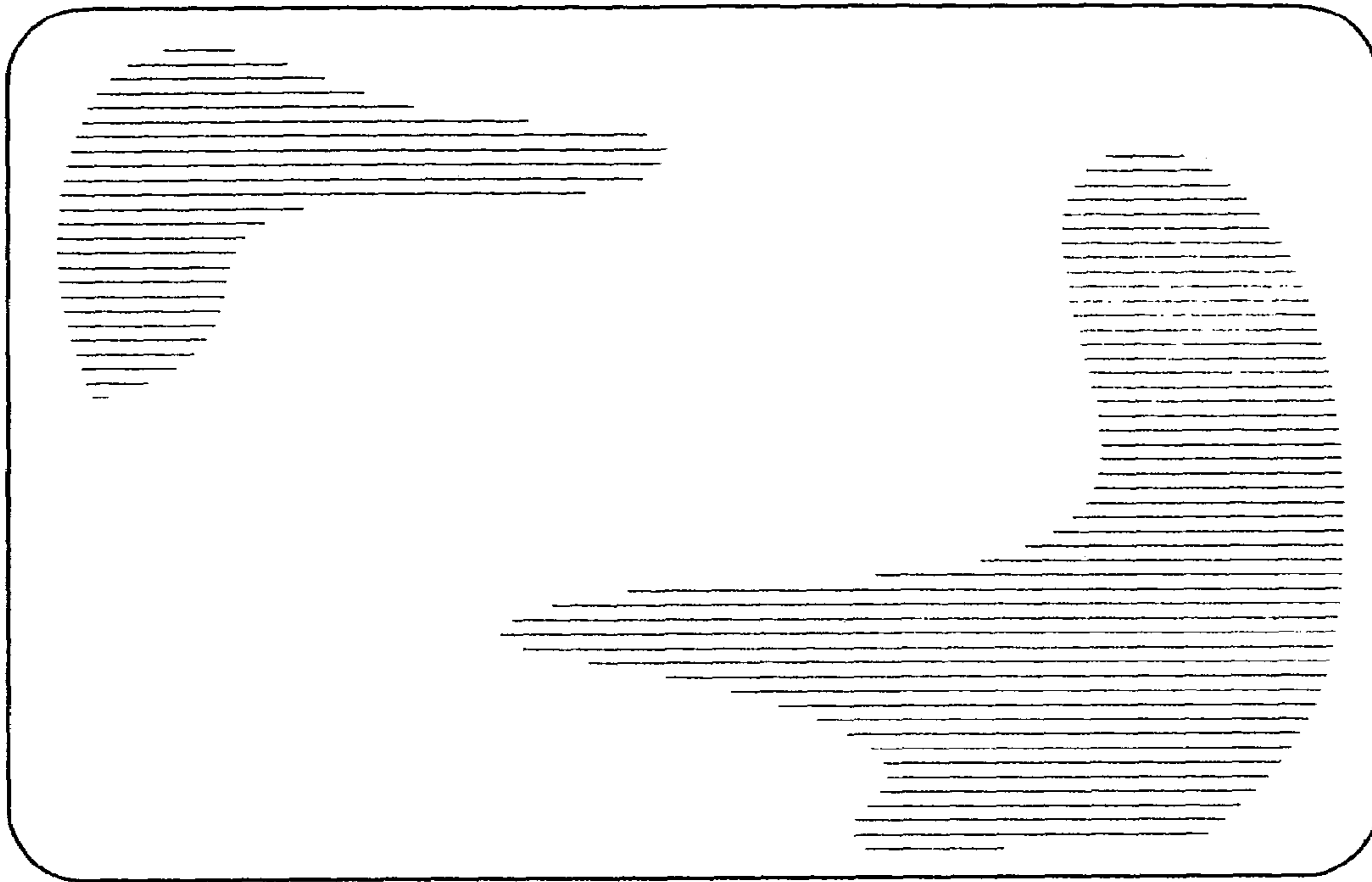


FIG. 1

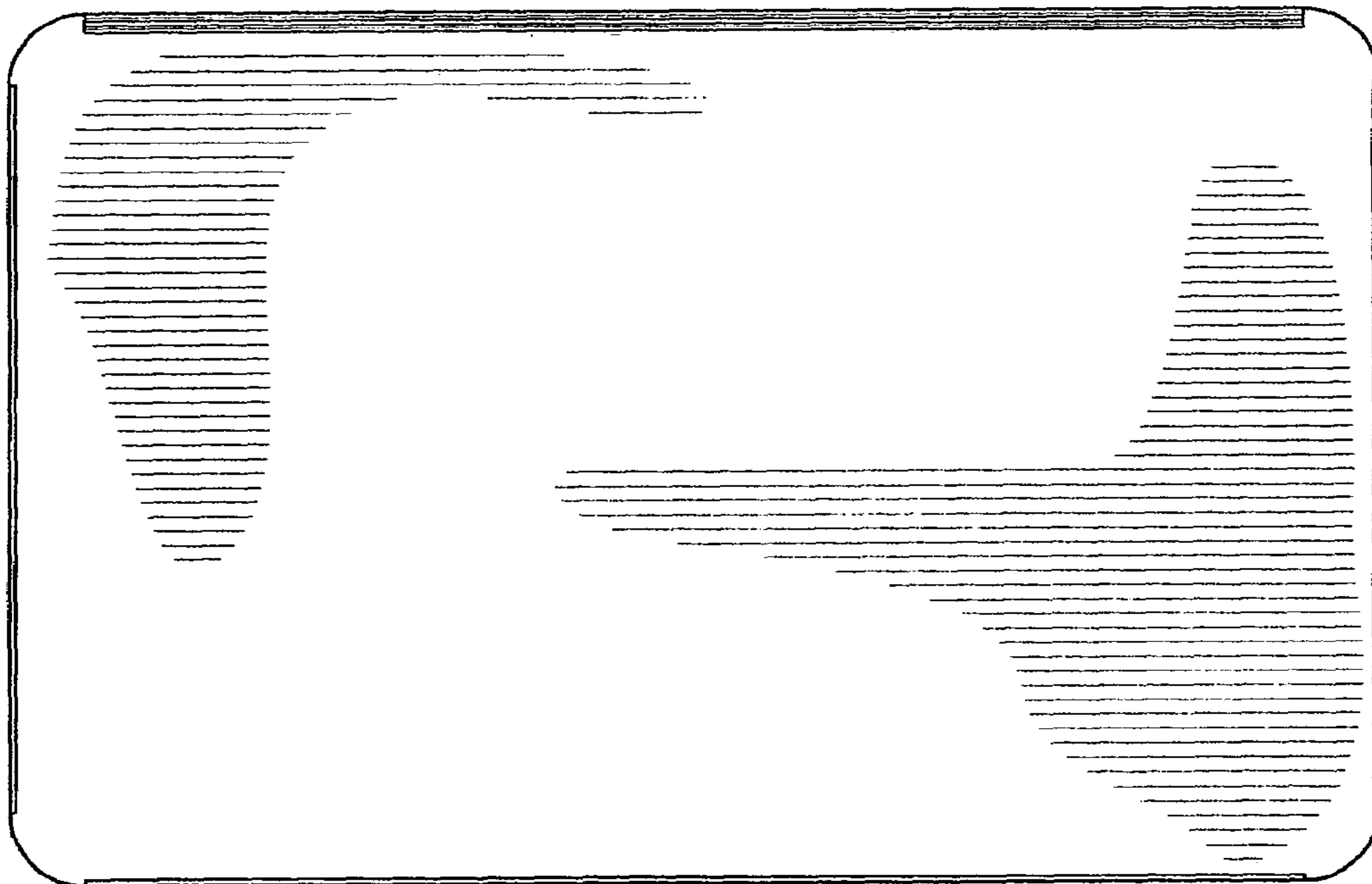


FIG. 2



FIG. 3

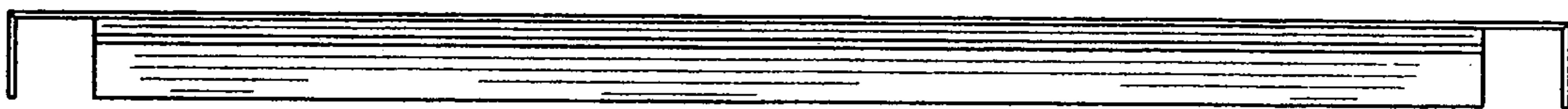


FIG. 4

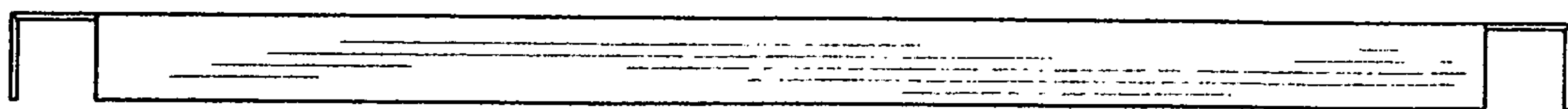


FIG. 5

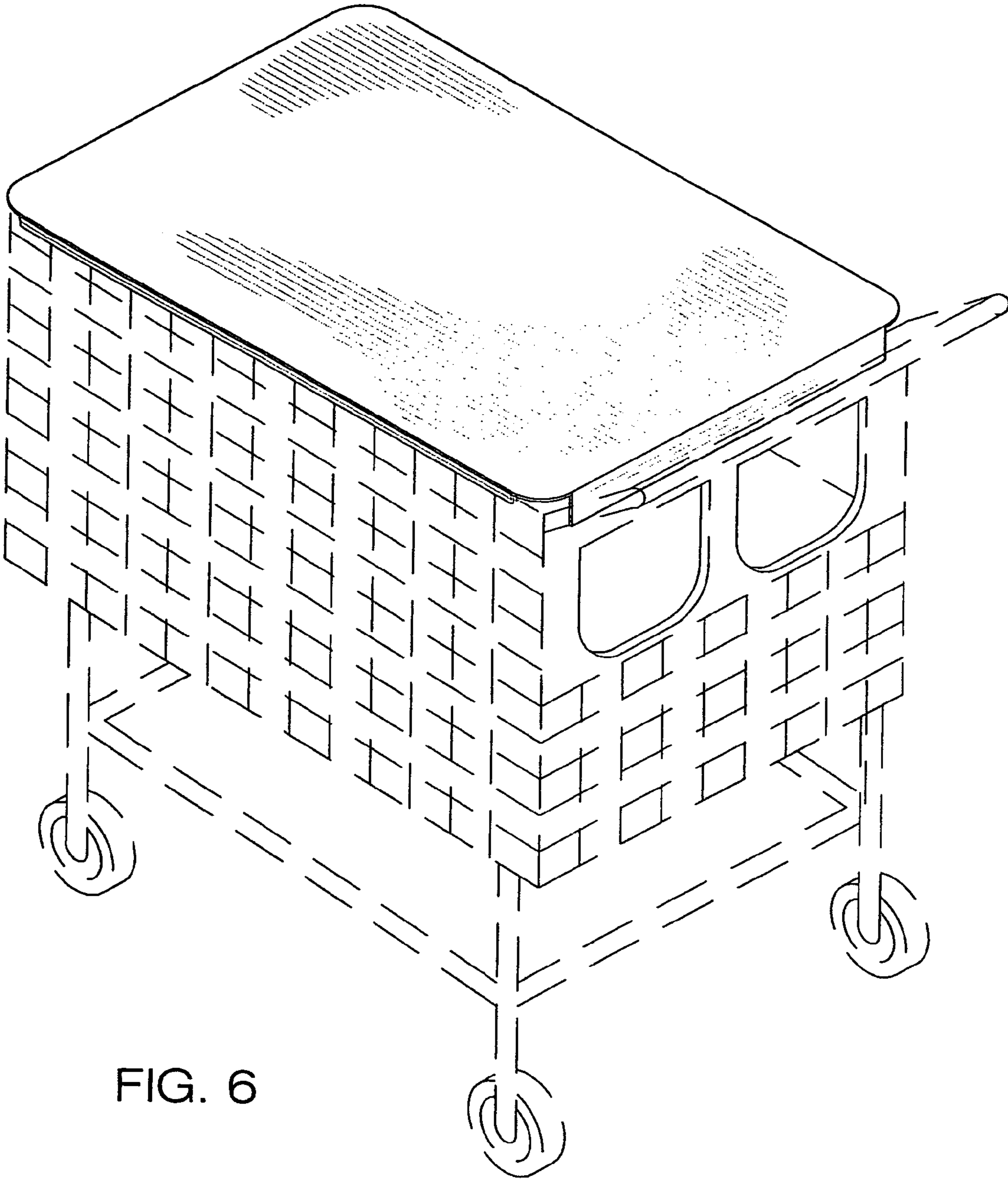


FIG. 6