



US00D548920S

(12) **United States Design Patent**
Kinsley et al.

(10) **Patent No.:** **US D548,920 S**

(45) **Date of Patent:** **** Aug. 14, 2007**

(54) **HANDLE FOR A COMPUTER CART**

(75) Inventors: **Mark Anthony Kinsley**, Elmhurst, IL (US); **Philip John Sopicki**, Glenview, IL (US)

(73) Assignee: **Bretford Manufacturing, Inc.**, Franklin Park, IL (US)

(**) Term: **14 Years**

(21) Appl. No.: **29/257,360**

(22) Filed: **Apr. 3, 2006**

(51) **LOC (8) Cl.** **12-02**

(52) **U.S. Cl.** **D34/27**

(58) **Field of Classification Search** D34/1-27;
280/47.35, 47.19, 79.2, 79.11; 312/249.1,
312/249.11; D8/330, 331; D12/178
See application file for complete search history.

(56) **References Cited**

U.S. PATENT DOCUMENTS

D219,913	S	*	2/1971	Malna	D34/19
3,715,148	A	*	2/1973	Beals	312/209
D323,051	S	*	1/1992	Baggott	D34/19
5,664,853	A	*	9/1997	Nickolaus, Jr.	312/249.12
5,765,842	A	*	6/1998	Phaneuf et al.	280/47.35
D396,626	S	*	8/1998	Francom	D8/323
D418,038	S	*	12/1999	Scott	D8/330
6,050,660	A	*	4/2000	Gurley	312/249.1

D425,775	S	*	5/2000	Schlack et al.	D8/331
6,068,356	A	*	5/2000	Giuseppe	312/290
7,147,290	B2	*	12/2006	Arent et al.	312/249.9
D535,452	S	*	1/2007	Lim et al.	D34/19
2005/0212239	A1	*	9/2005	Carter	280/47.35

* cited by examiner

Primary Examiner—Cynthia E. Ramirez

(74) *Attorney, Agent, or Firm*—John C. Gorecki

(57) **CLAIM**

The ornamental design for a handle for a computer cart, as shown and described.

DESCRIPTION

FIG. 1 is a front perspective view of a handle for a computer cart embodying our novel design;

FIG. 2 is an elevation view of the front of the handle for a computer cart of FIG. 1, shown in a closed position;

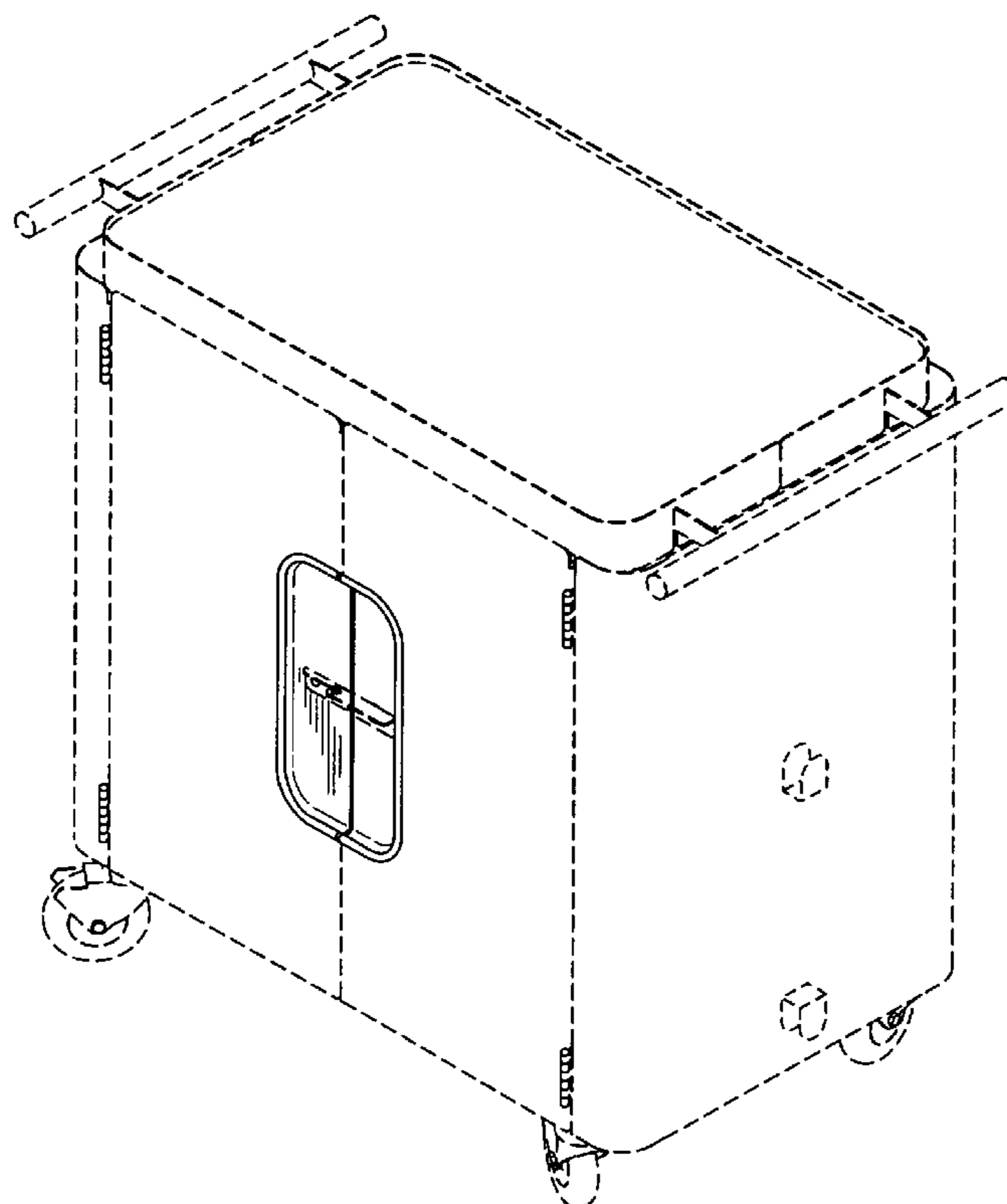
FIG. 3 is an elevation view of the rear of the handle for a computer cart of FIG. 1, shown in an open position;

FIG. 4 is another front perspective view of the handle for computer cart; and,

FIG. 5 is another elevation view of the front of the handle for a computer cart.

The broken line showing of a portion of the handle in FIGS. 1, 2, 4 and 5 forms no part of the claimed design.

1 Claim, 5 Drawing Sheets



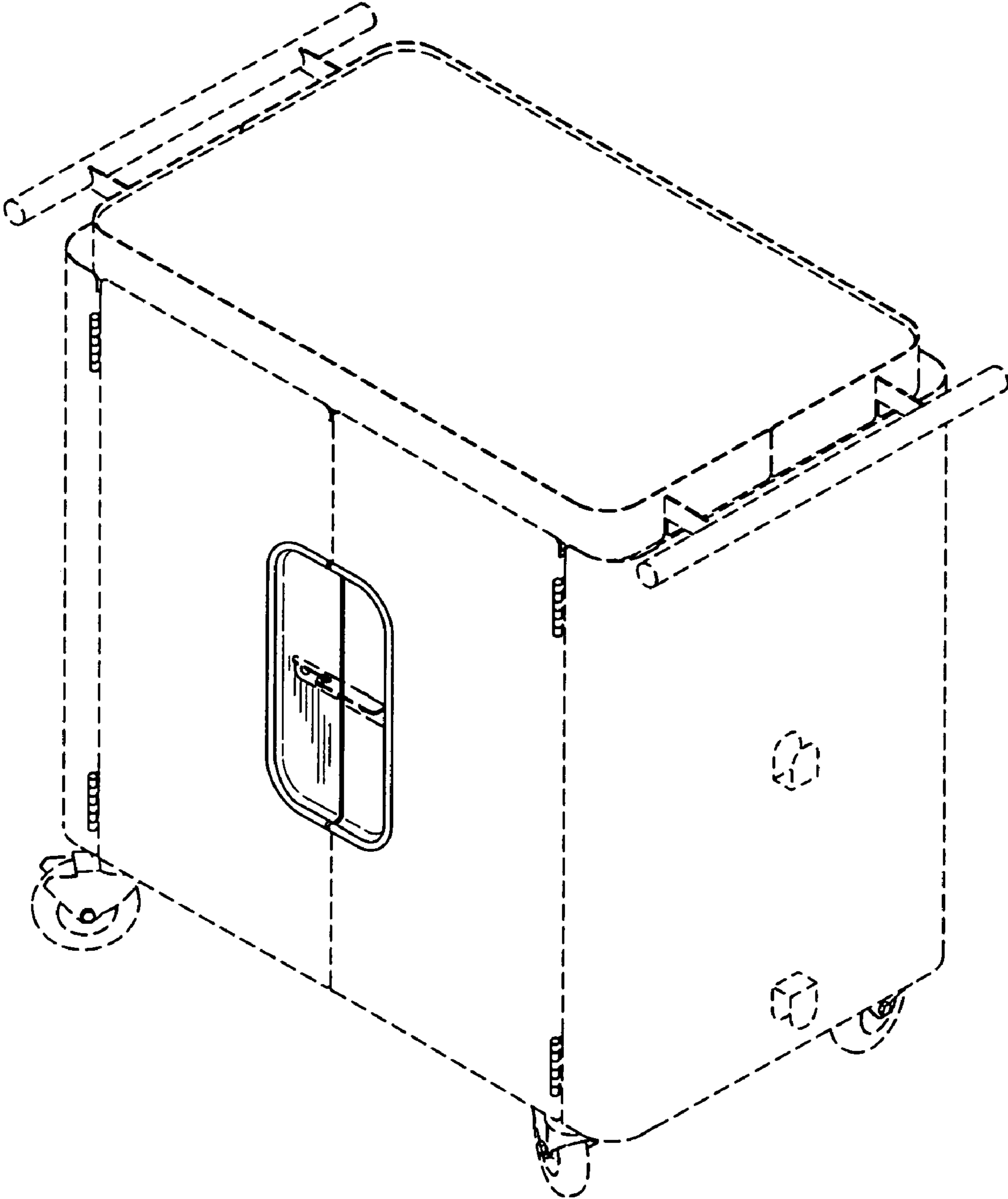


FIG. 1

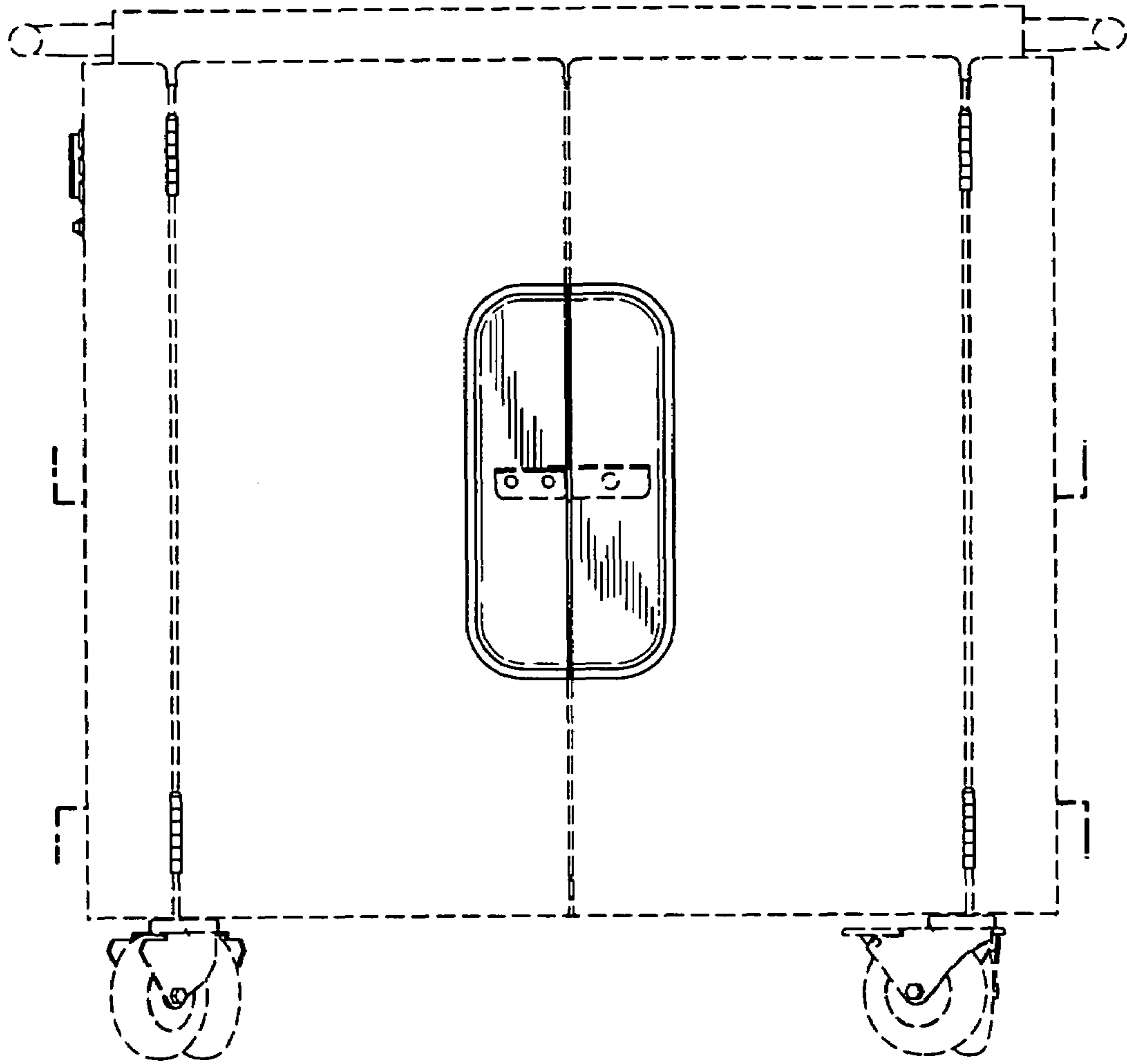


FIG. 2

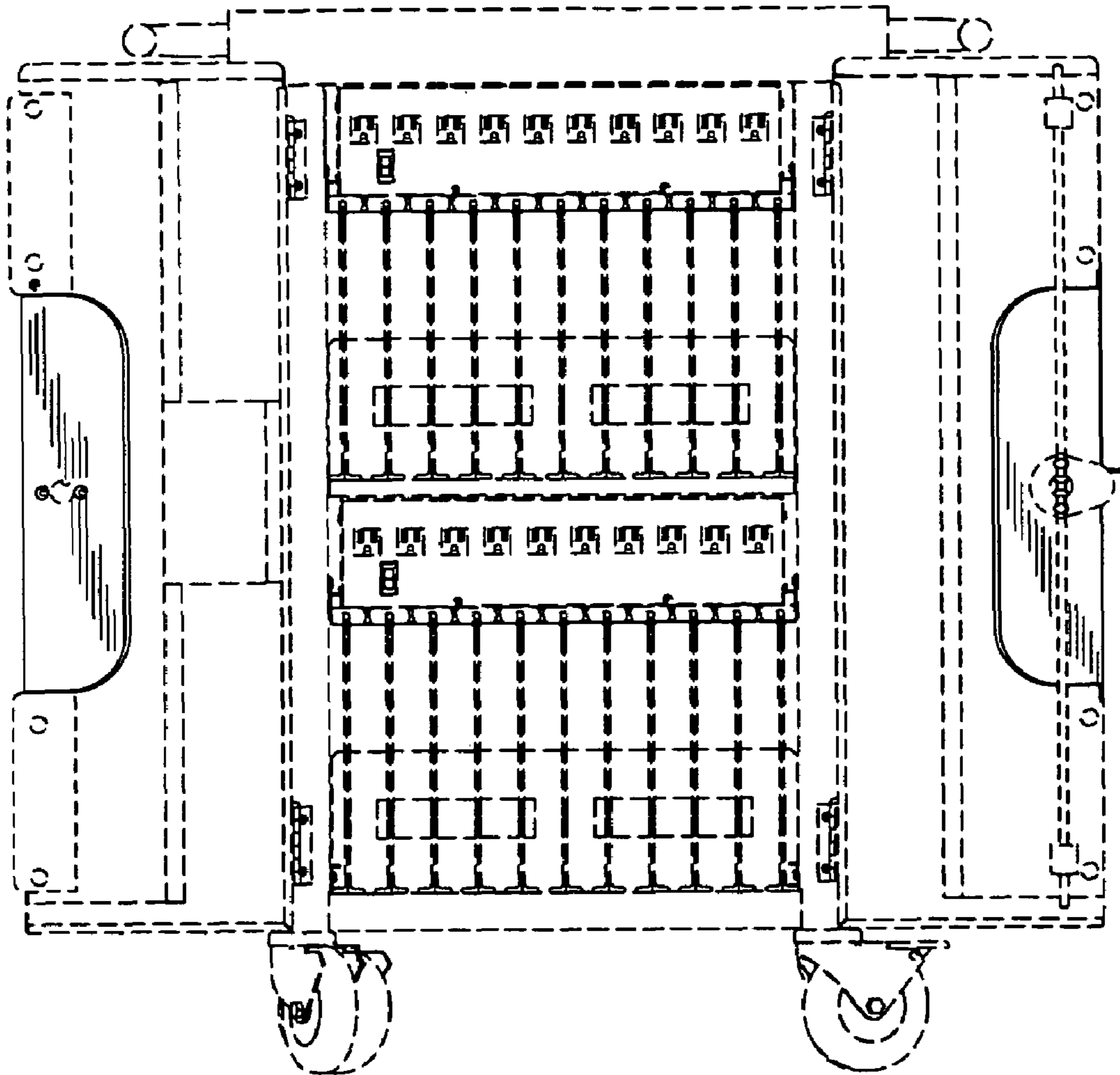


FIG. 3

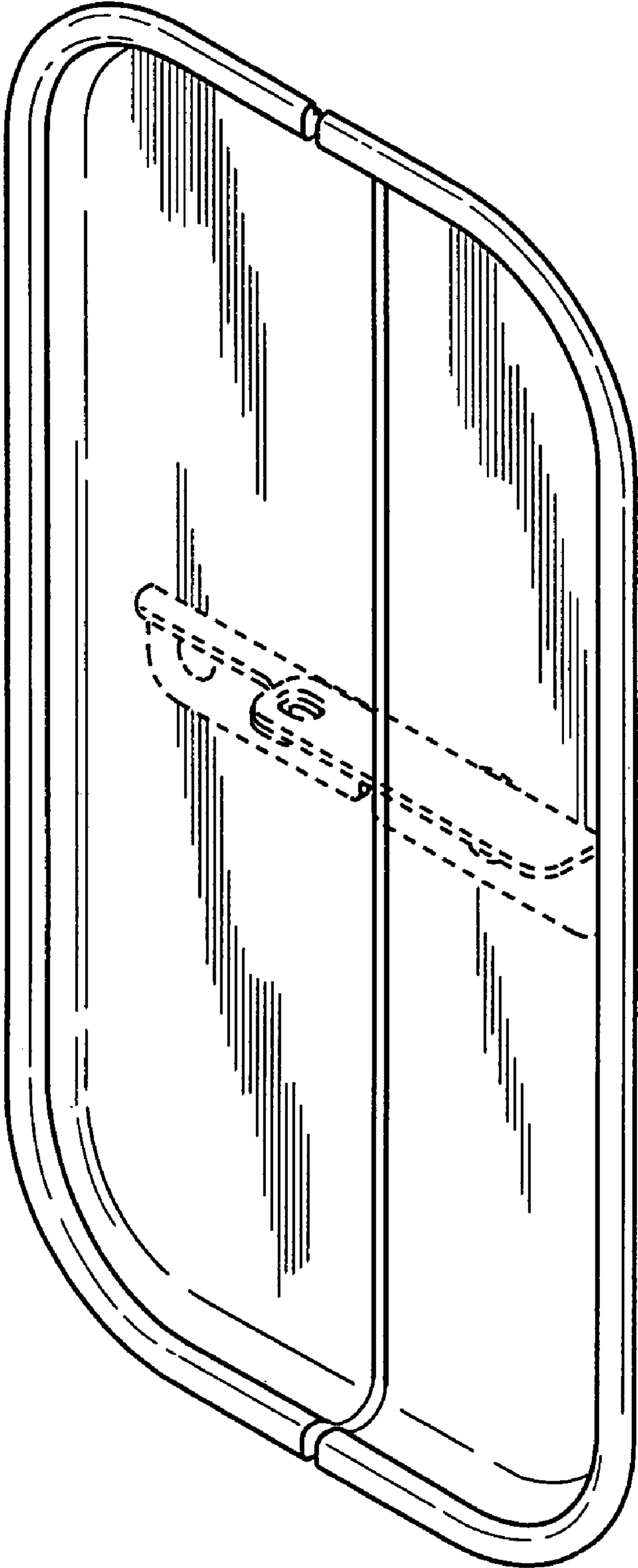


FIG. 4

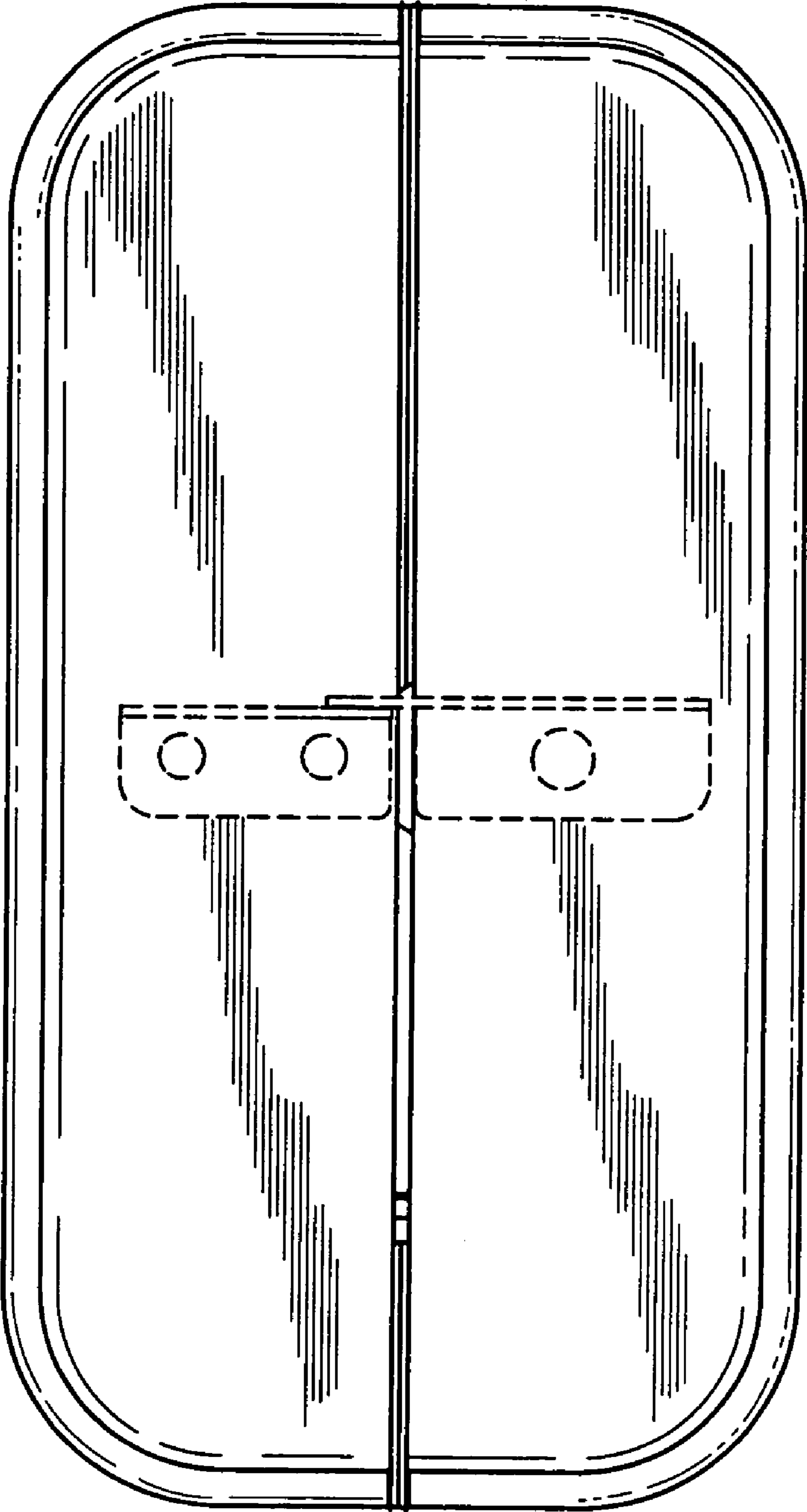


FIG. 5