



US00D548919S

(12) **United States Design Patent**
Dietzel et al.

(10) **Patent No.:** **US D548,919 S**

(45) **Date of Patent:** **** Aug. 14, 2007**

(54) **SHOPPING CART FRAME**

(75) Inventors: **Nicholas Dietzel**, Wagoner, OK (US);
Mark T. Ryan, Haskell, OK (US)

(73) Assignee: **Unarco Industries, Inc.**, Wagoner, OK (US)

(**) Term: **14 Years**

(21) Appl. No.: **29/240,774**

(22) Filed: **Oct. 18, 2005**

(51) **LOC (8) Cl.** **12-02**

(52) **U.S. Cl.** **D34/27**

(58) **Field of Classification Search** D34/12-27;
280/33.991-33.998, 47.34, 47.35, 47.18,
280/47.24, 47.27, 47.28, 47.29, 654

See application file for complete search history.

(56) **References Cited**

U.S. PATENT DOCUMENTS

3,039,564	A *	6/1962	Shaukis	186/63
3,375,018	A *	3/1968	Close	280/33.991
3,885,806	A *	5/1975	Trubiano	280/33.993
D240,297	S *	6/1976	Trubiano	D12/129
D246,301	S *	11/1977	Trubiano	D12/129
4,771,840	A *	9/1988	Keller	180/11
4,850,604	A *	7/1989	Le Marchand et al.	280/33.996
4,976,447	A *	12/1990	Batson	280/33.994
D314,269	S *	1/1991	Trubiano	D34/19
D348,549	S *	7/1994	Trubiano	D34/20
D365,904	S *	1/1996	Adamson et al.	D34/17
D366,546	S *	1/1996	Schaub et al.	D34/20
5,507,507	A *	4/1996	Davidson	280/33.991
5,595,394	A *	1/1997	Adamson	280/33.993
D386,873	S *	11/1997	Langlois D'Estaintot et al.	D34/21

6,126,181	A *	10/2000	Ondrasik	280/33.991
D445,230	S *	7/2001	Deal et al.	D34/21
6,270,093	B1 *	8/2001	Johnson et al.	280/33.993
D452,055	S *	12/2001	Van Holsteijn et al.	D34/20
6,644,674	B2 *	11/2003	Simard	280/33.991
D493,932	S *	8/2004	Prather et al.	D34/21
D520,209	S *	5/2006	Duchene	D34/27
D526,106	S *	8/2006	Tucker et al.	D34/27
D526,107	S *	8/2006	Duchene	D34/27

* cited by examiner

Primary Examiner—Cynthia E. Ramirez

(74) *Attorney, Agent, or Firm*—Wood Phillips et al.

(57) **CLAIM**

The ornamental design for a shopping cart frame, as shown and described.

DESCRIPTION

FIG. 1 is a perspective view of a shopping cart frame, taken from a top, front, side perspective and showing our new design;

FIG. 2 is a perspective view thereof, taken from a top, rear, side perspective;

FIG. 3 is a top plan thereof;

FIG. 4 is a side elevation thereof, taken from the near side in FIG. 1, the other side being a mirror image of the side shown;

FIG. 5 is a front elevation thereof; and,

FIG. 6 is a rear elevation thereof.

Broken-line showings of other elements of a shopping cart, which elements include a basket, a lower tray, and casters, are for illustrative purposes only and form no part of the claimed design.

1 Claim, 3 Drawing Sheets



FIG. 1



FIG. 2

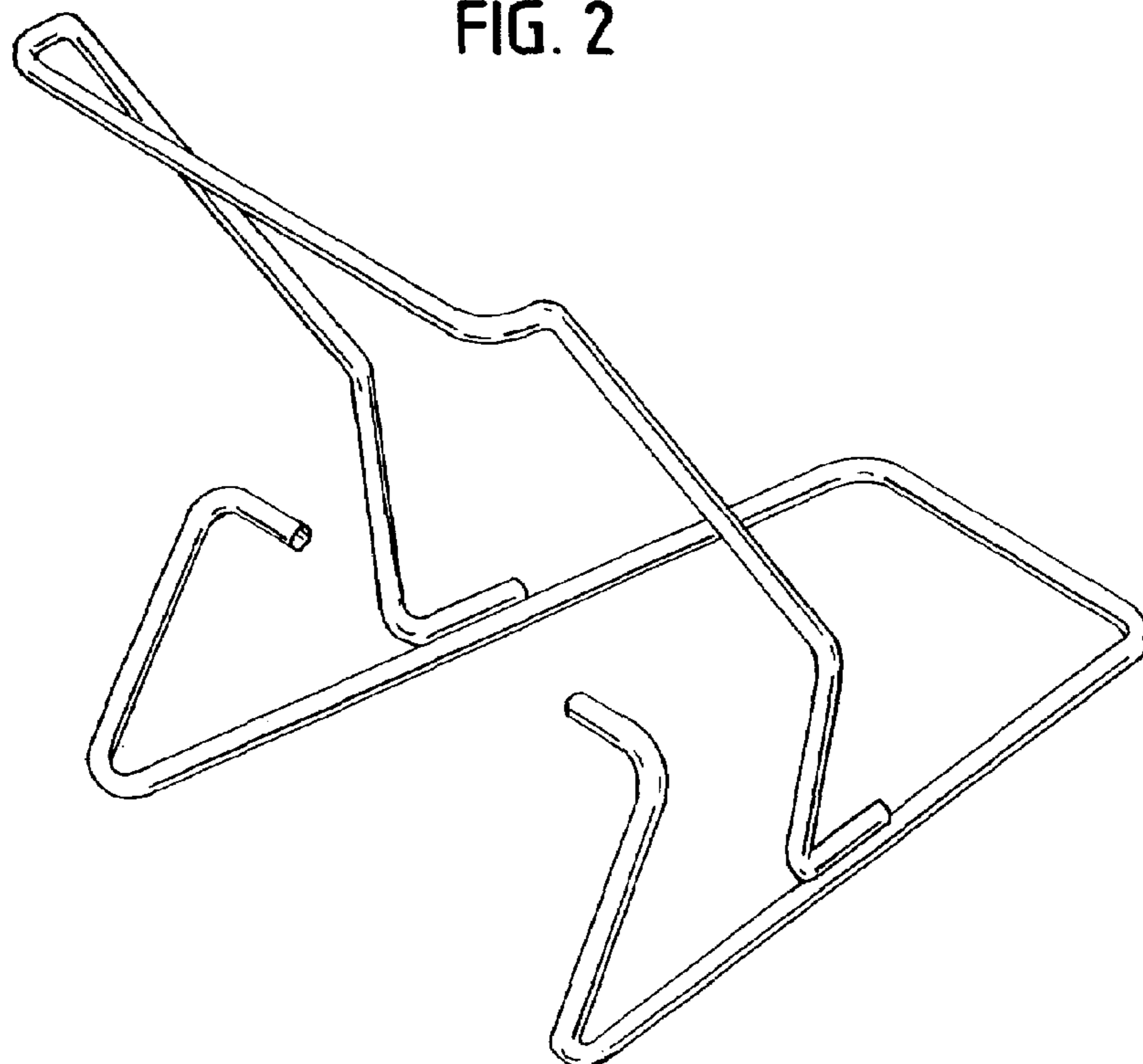


FIG. 3

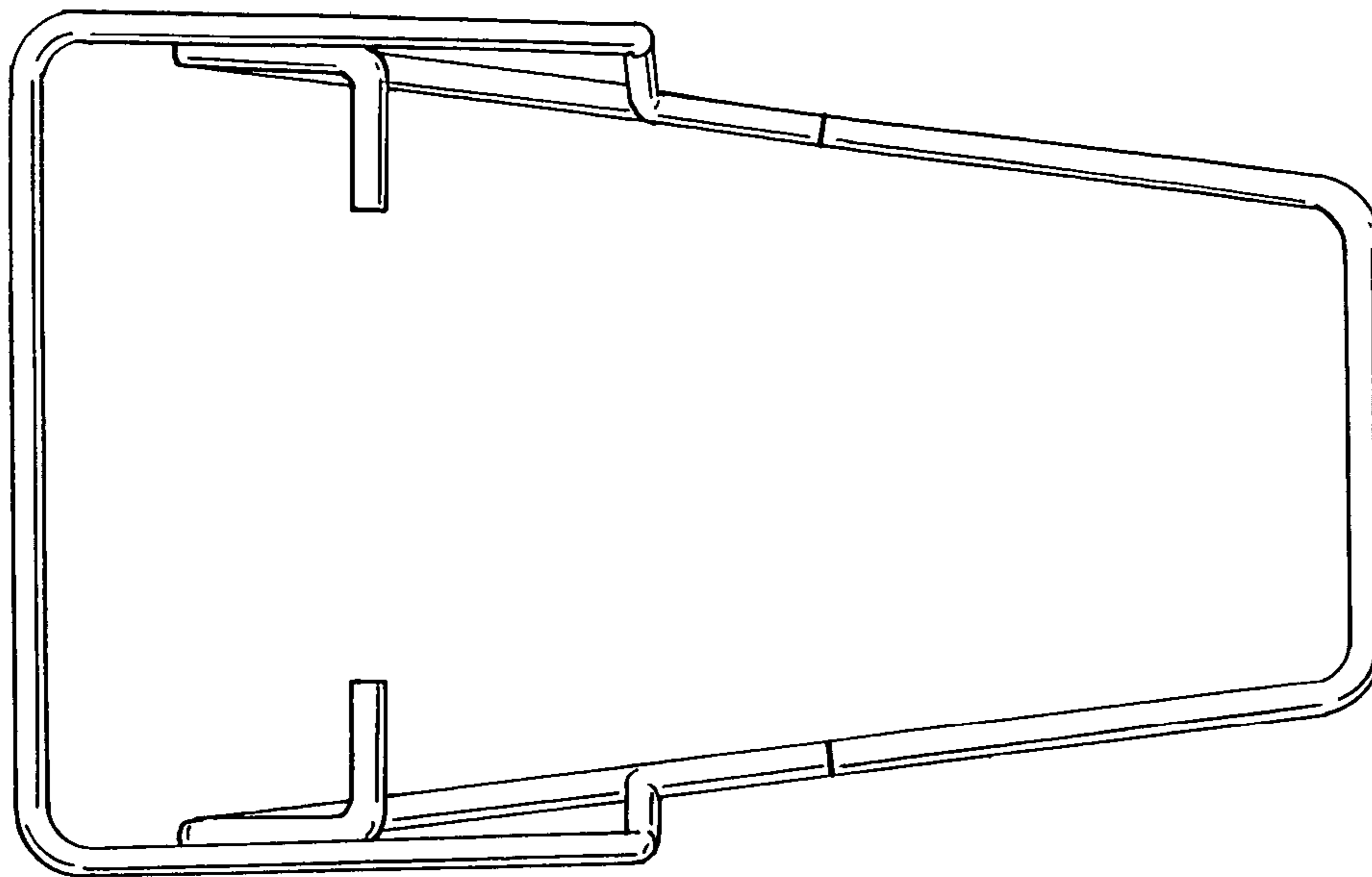


FIG. 4

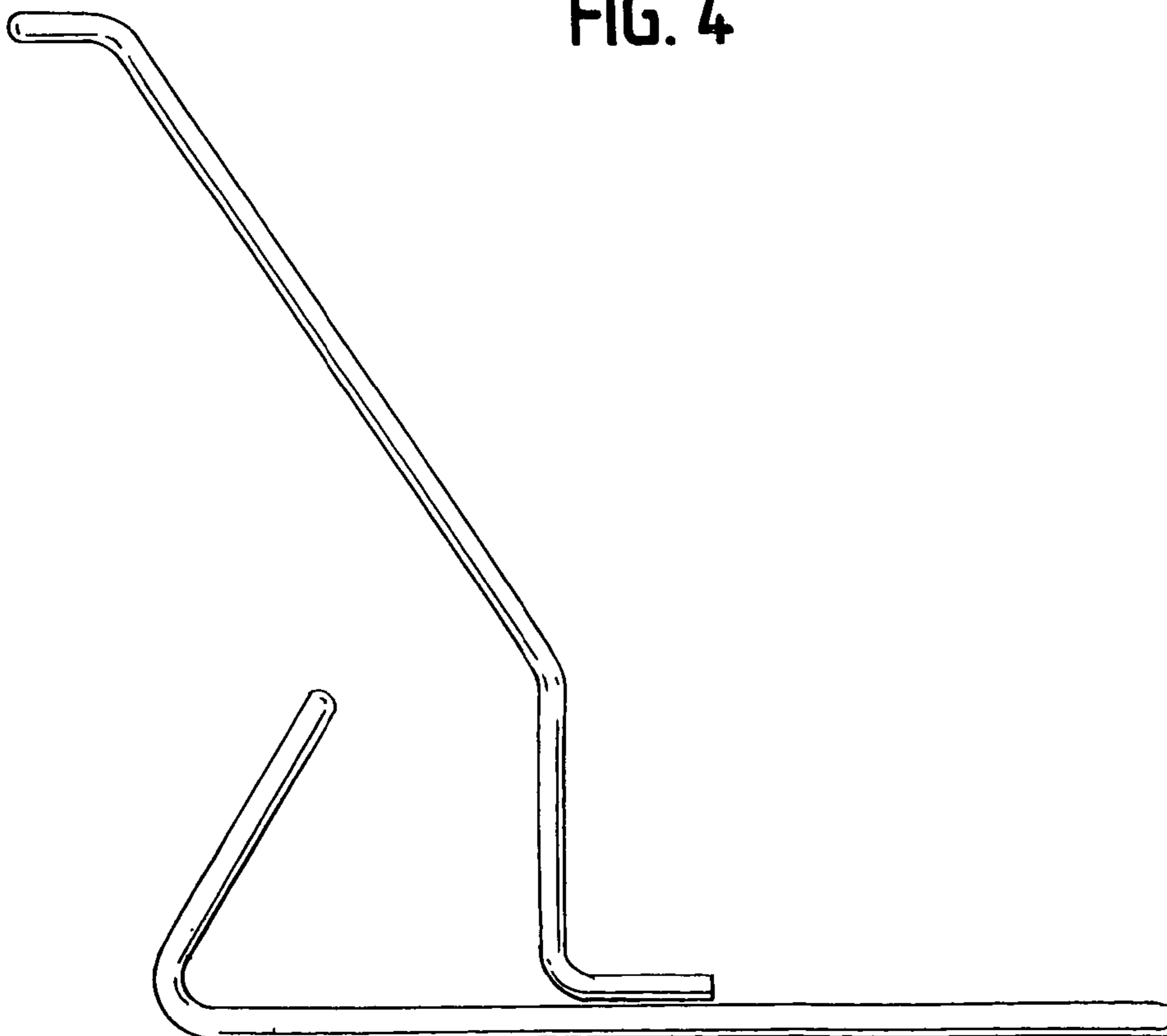


FIG. 5

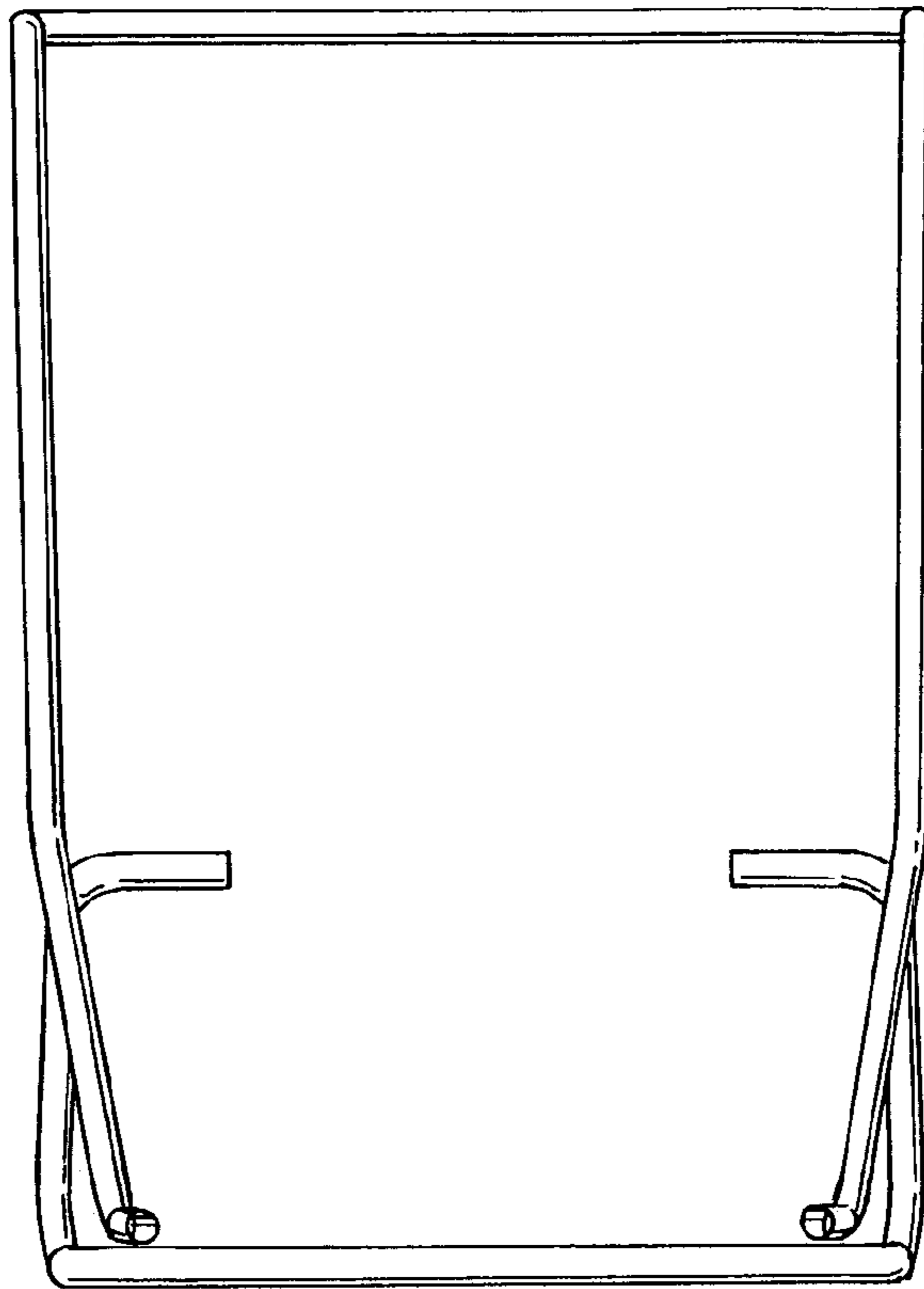


FIG. 6

