

US00D548918S

(12) **United States Design Patent**
Nussberger

(10) **Patent No.:** **US D548,918 S**

(45) **Date of Patent:** **** Aug. 14, 2007**

(54) **APPARATUS CART**

(75) Inventor: **Martin Nussberger**, Munich (DE)

(73) Assignee: **Innovation Technik Design ITD GmbH**, Unterhaching (DE)

(**) Term: **14 Years**

(21) Appl. No.: **29/249,153**

(22) Filed: **Sep. 25, 2006**

(51) **LOC (8) Cl.** **12-02**

(52) **U.S. Cl.** **D34/17**

(58) **Field of Classification Search** D34/12-27;
D24/185, 186, 107, 177; 280/47.19, 47.26,
280/79.3, 47.35; 312/249.12, 249.1; D6/477,
D6/478

See application file for complete search history.

(56) **References Cited**

U.S. PATENT DOCUMENTS

D500,575 S * 1/2005 Lucas D34/12
D517,768 S * 3/2006 Arceta D34/14

* cited by examiner

Primary Examiner—Cynthia E. Ramirez
(74) *Attorney, Agent, or Firm*—Stites & Harbison PLLC;
Douglas E. Jackson

(57) **CLAIM**

The ornamental design for an apparatus cart, as shown and described.

DESCRIPTION

FIG. 1 is front view of an apparatus cart according to the present invention.

FIG. 2 is a top view of the apparatus cart depicted in FIG. 1.

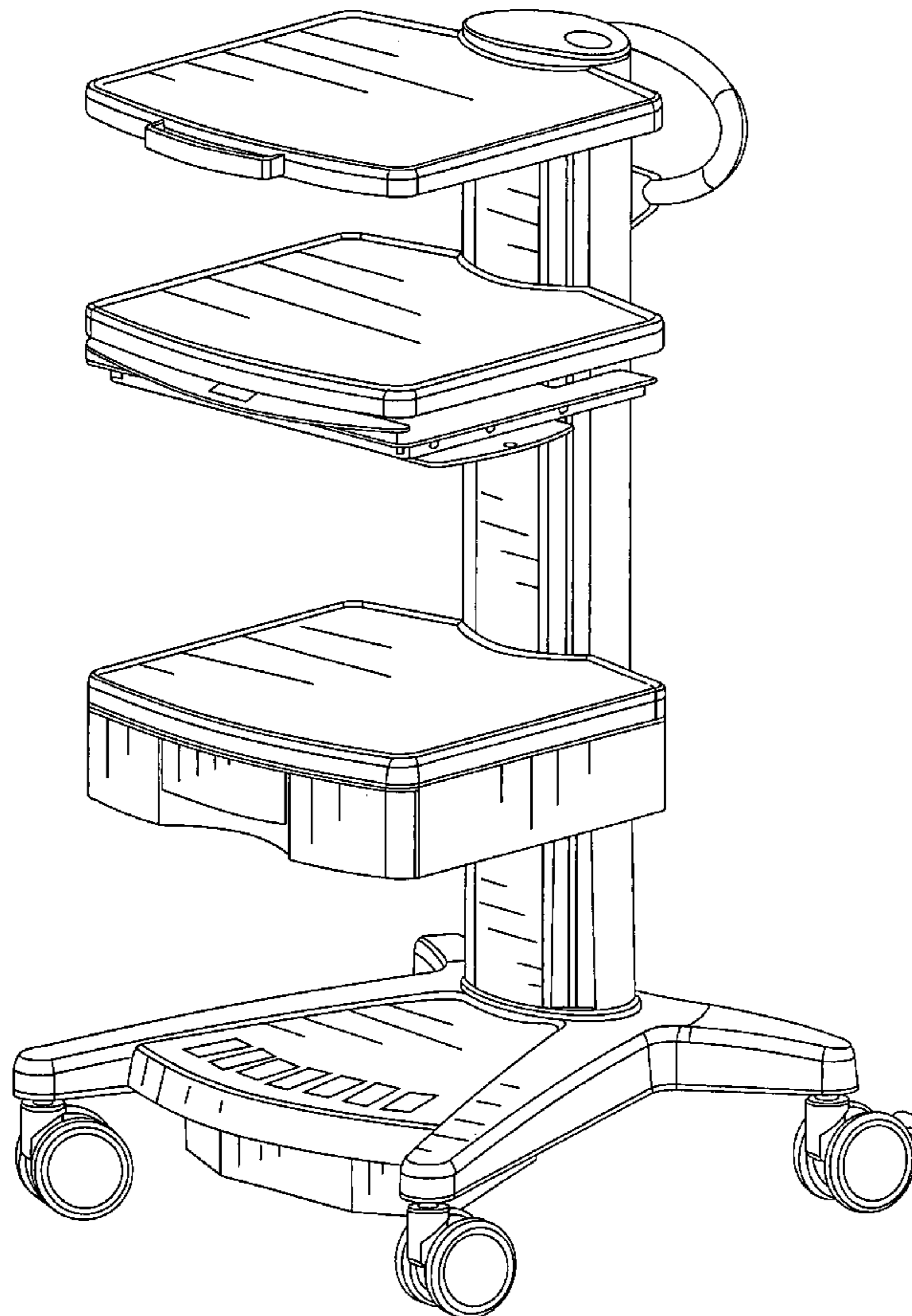
FIG. 3 is a right side view of the apparatus cart depicted in FIG. 1.

FIG. 4 is a left side view of the apparatus cart depicted in FIG. 1.

FIG. 5 is rear view of the apparatus cart depicted in FIG. 1; and,

FIG. 6 is a perspective front, top and right side view of the apparatus cart depicted in FIG. 1.

1 Claim, 6 Drawing Sheets



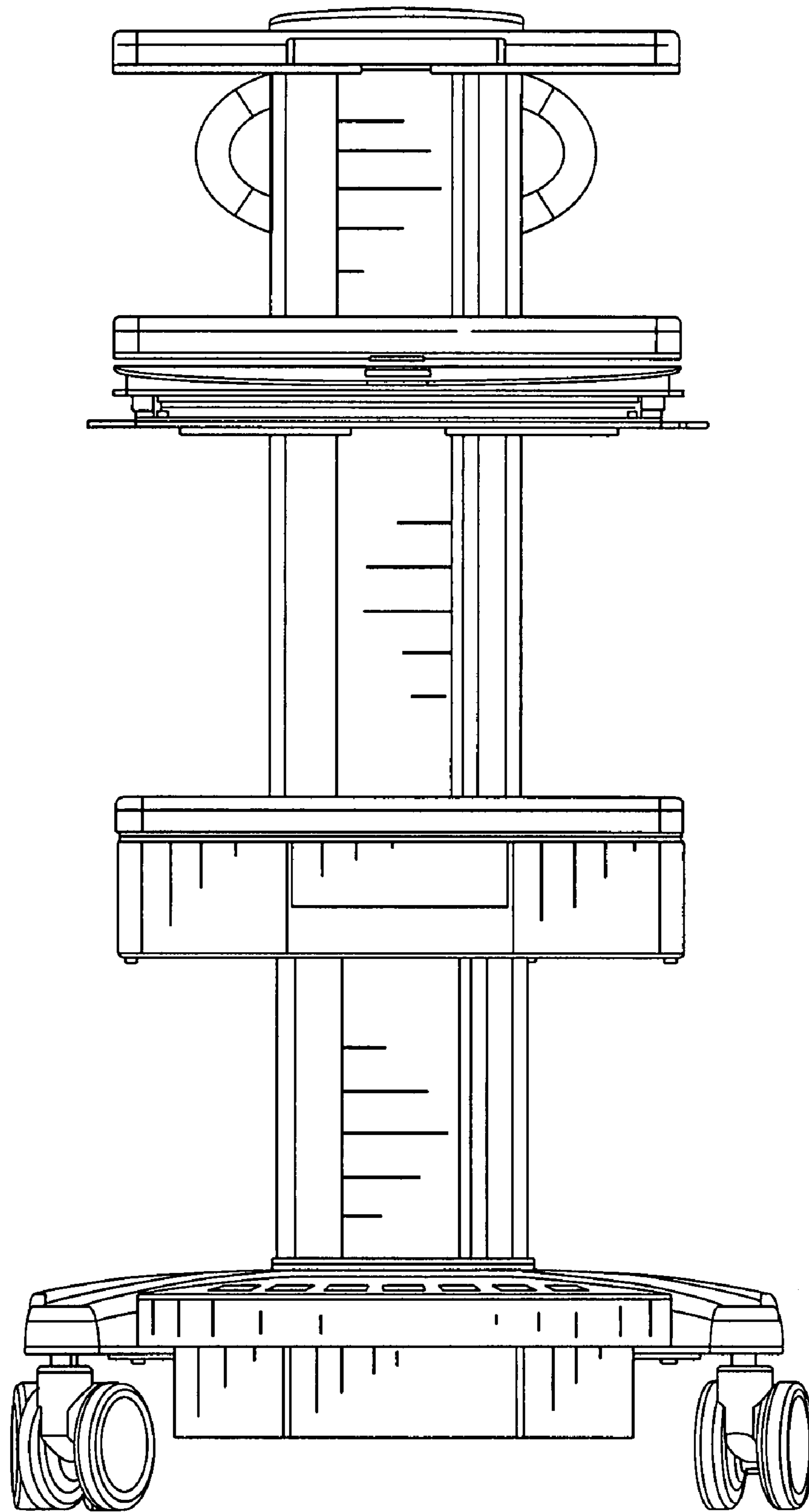


FIG. 1

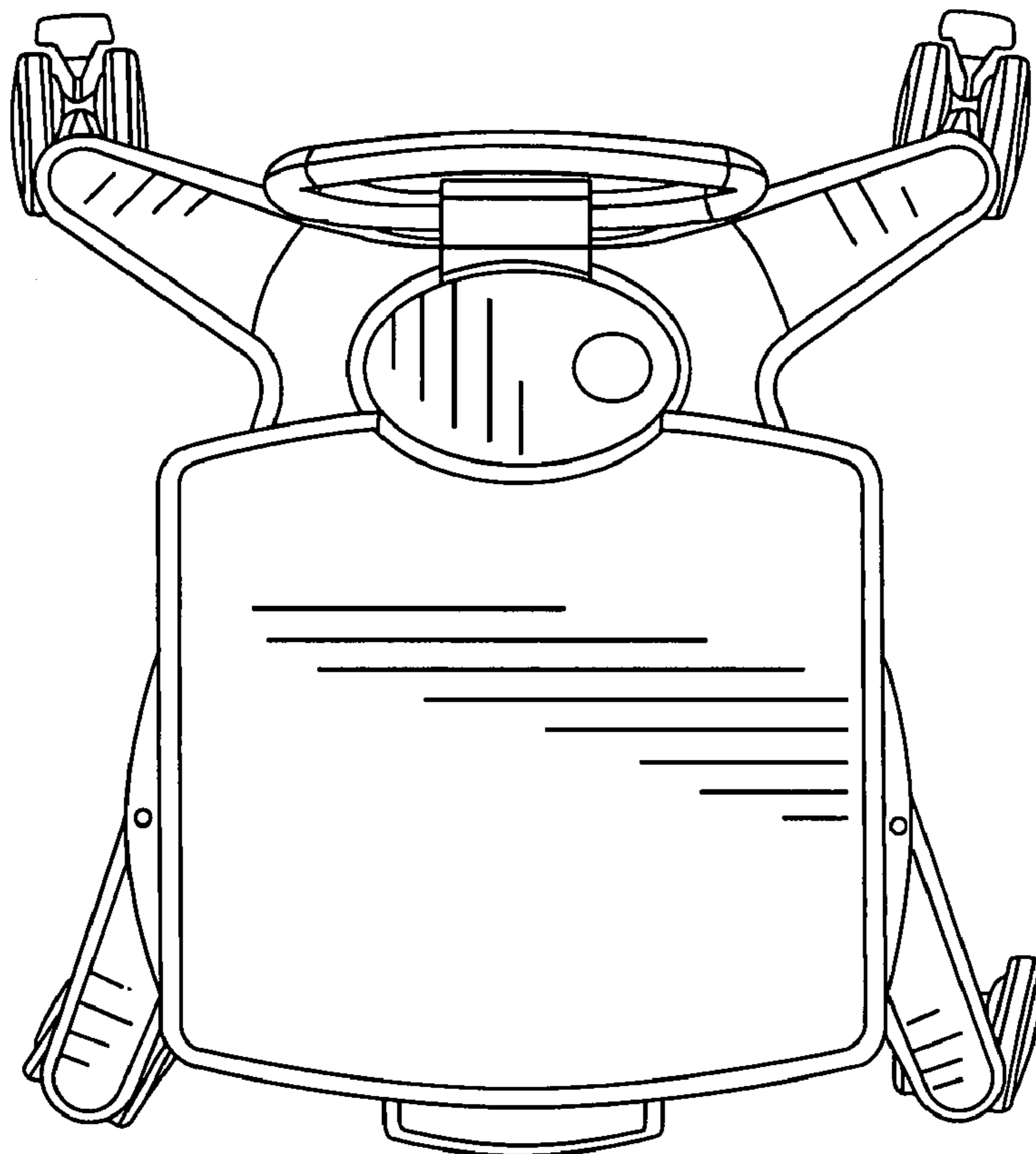


FIG. 2

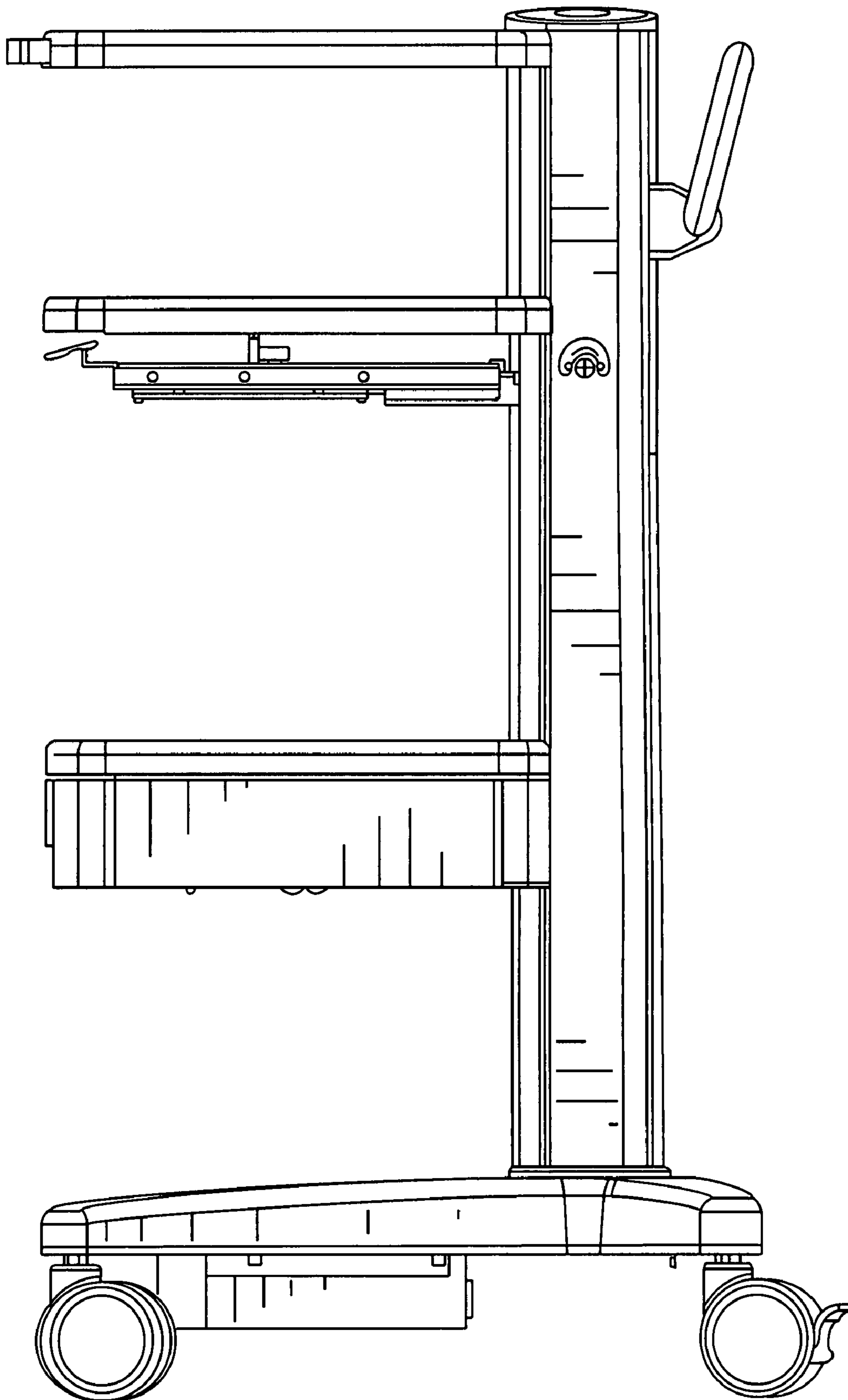


FIG. 3

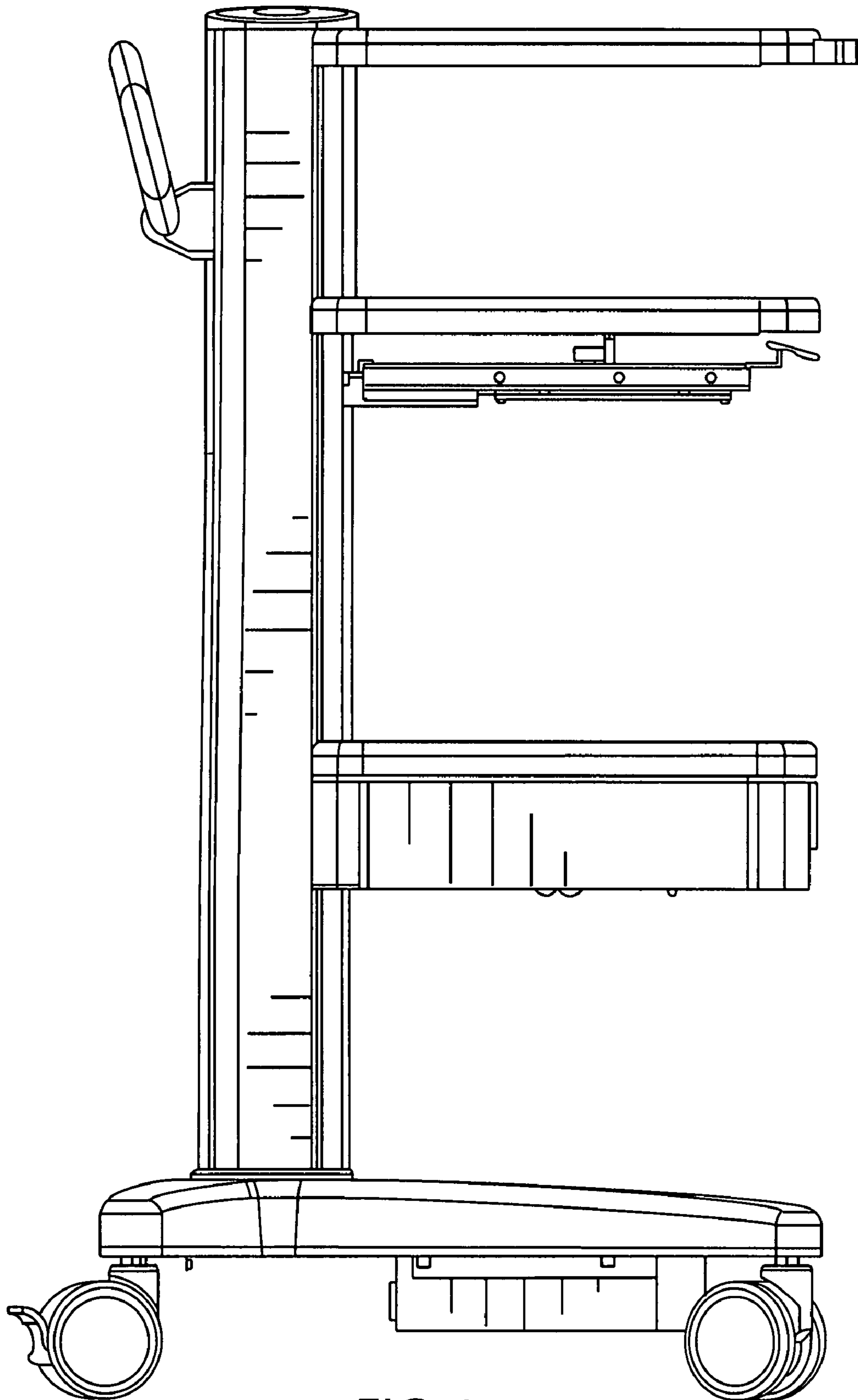


FIG. 4

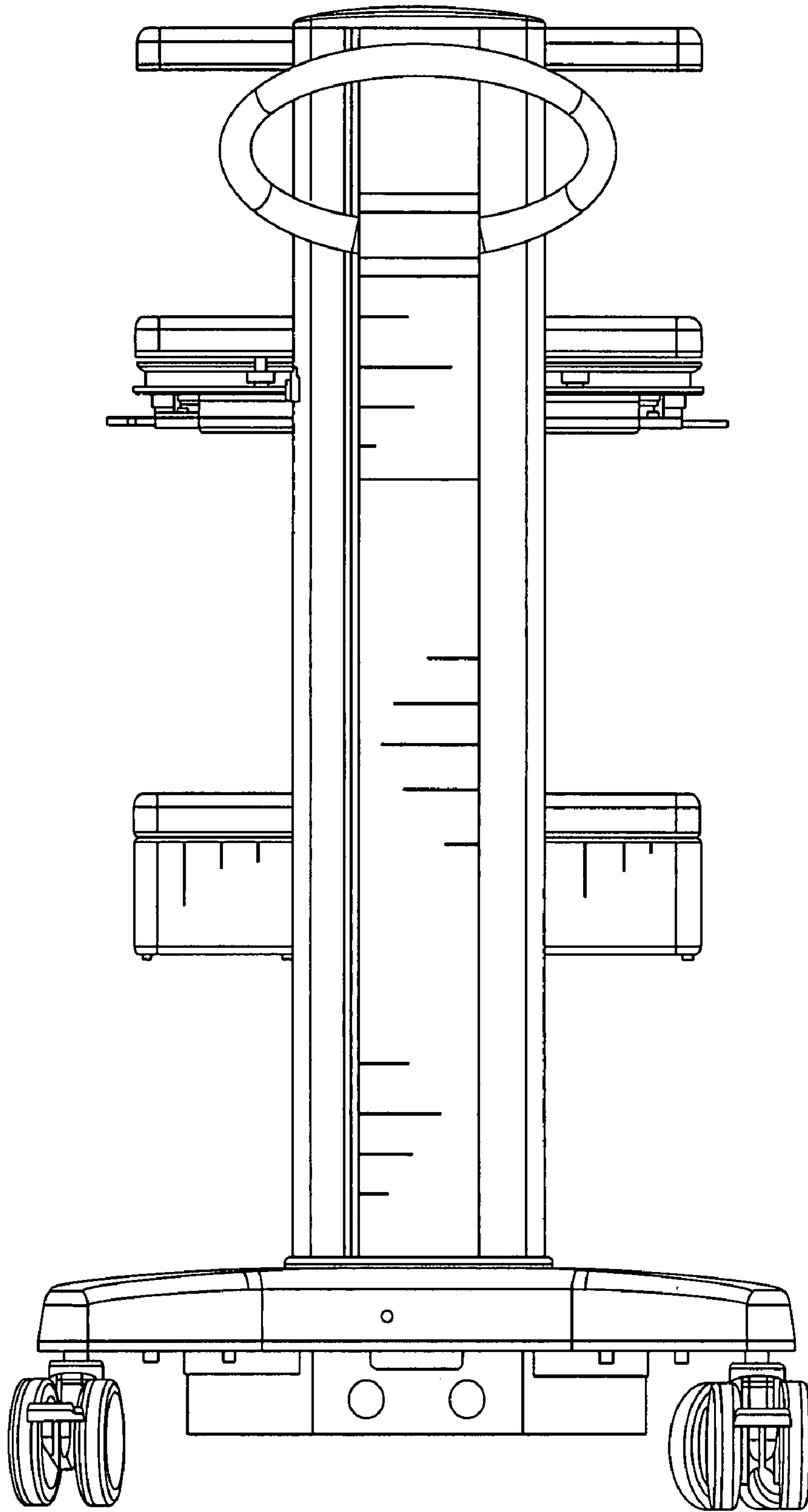


FIG. 5

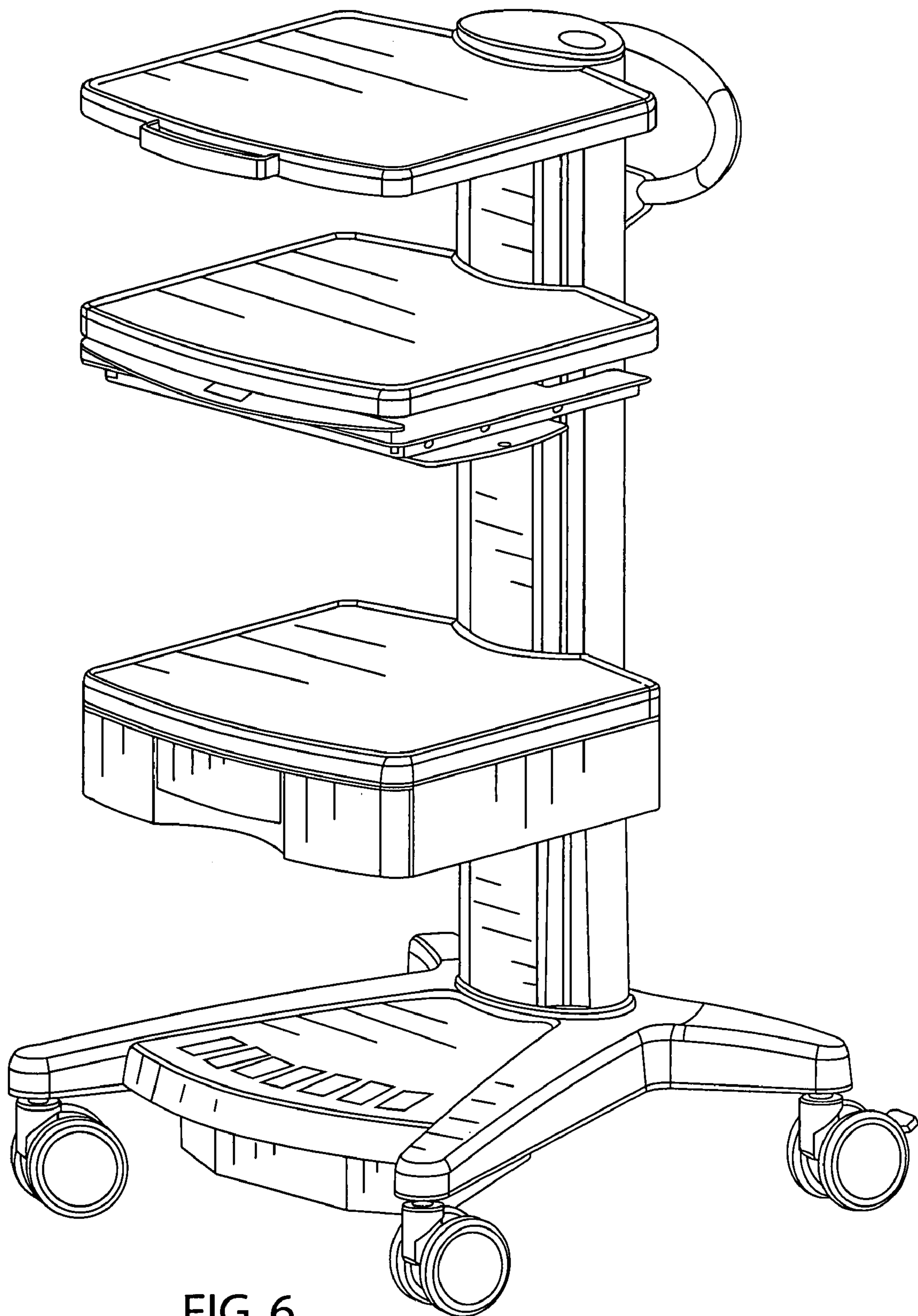


FIG. 6