



US00D548915S

(12) **United States Design Patent**
Yang et al.

(10) **Patent No.:** **US D548,915 S**

(45) **Date of Patent:** **** Aug. 14, 2007**

(54) **COMBINED BAG HOLDER AND STORAGE UNIT**

(75) Inventors: **Frank Yang**, Rancho Palos Verdes, CA (US); **Joshua Lin**, Alhambra, CA (US); **William Hsu**, Diamond Bar, CA (US); **Chih-Hong Hsieh**, West Covina, CA (US); **Tzu-Hao Wei**, Hacienda Heights, CA (US)

(73) Assignee: **Simplehuman LLC**, Torrance, CA (US)

(**) Term: **14 Years**

(21) Appl. No.: **29/253,359**

(22) Filed: **Feb. 3, 2006**

(51) **LOC (8) Cl.** **09-09**

(52) **U.S. Cl.** **D34/6; D34/7**

(58) **Field of Classification Search** D34/1, D34/5, 6, 7, 8, 9, 10, 11; 248/98, 97, 100, 248/101, 99; 220/908

See application file for complete search history.

(56) **References Cited**

U.S. PATENT DOCUMENTS

3,603,542 A *	9/1971	Grille	248/98
4,786,122 A *	11/1988	Nichoalds	312/257.1
5,232,274 A *	8/1993	Johan et al.	312/6
D374,529 S *	10/1996	Sanderson	D34/5
D465,077 S *	10/2002	Berke et al.	D34/24
D484,291 S *	12/2003	Faden	D34/5
6,666,416 B1	12/2003	McAllister	

D494,334 S * 8/2004 Chen D34/19

* cited by examiner

Primary Examiner—Cynthia E. Ramirez
(74) *Attorney, Agent, or Firm*—Liu & Liu

(57) **CLAIM**

The ornamental design for a combined bag holder and storage unit, as shown and described.

DESCRIPTION

FIG. 1 is a right perspective view of a combined bag holder and storage unit showing our new design;

FIG. 2 is a left perspective view thereof;

FIG. 3 is a front view thereof;

FIG. 4 is a rear view thereof;

FIG. 5 is a top plan view thereof;

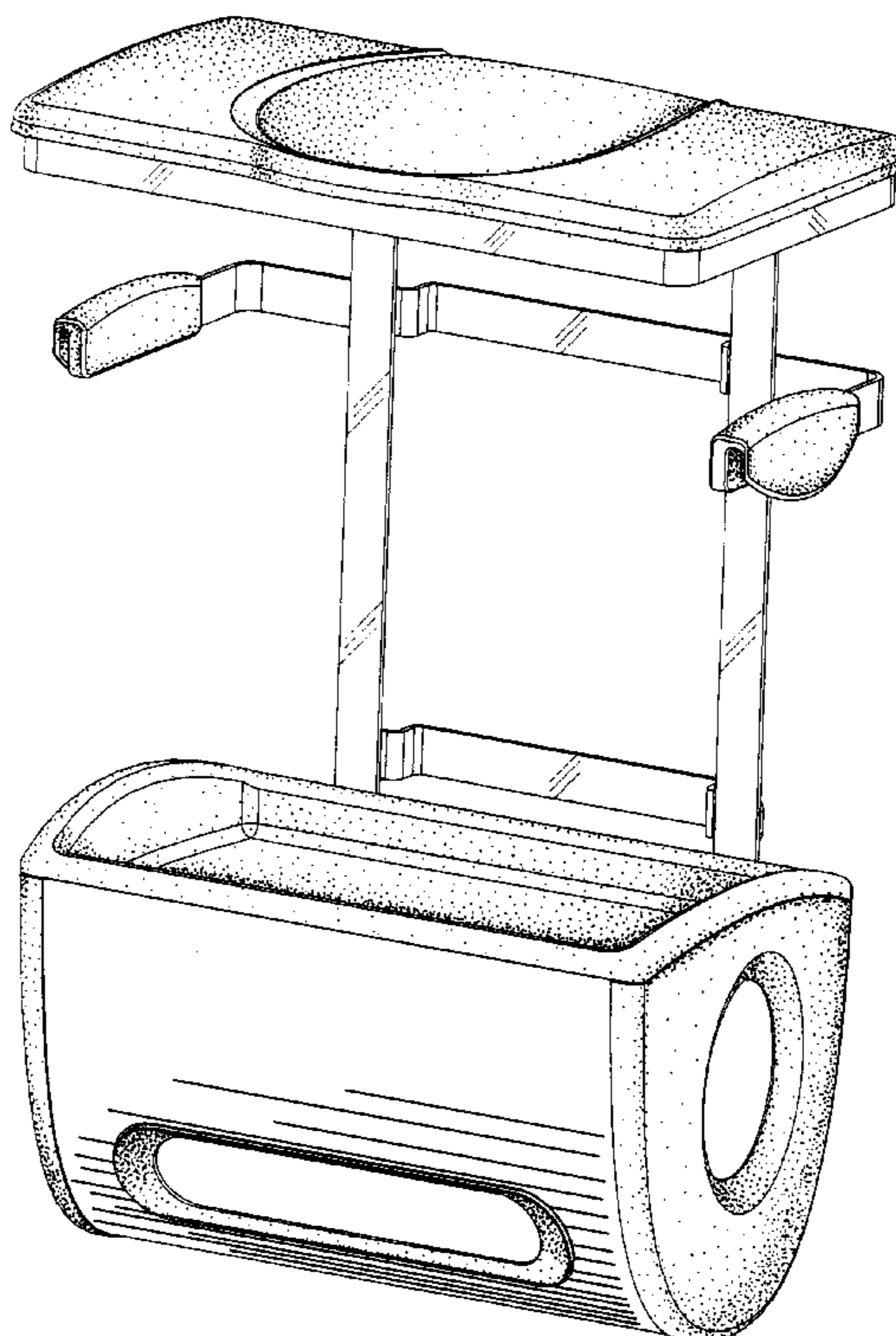
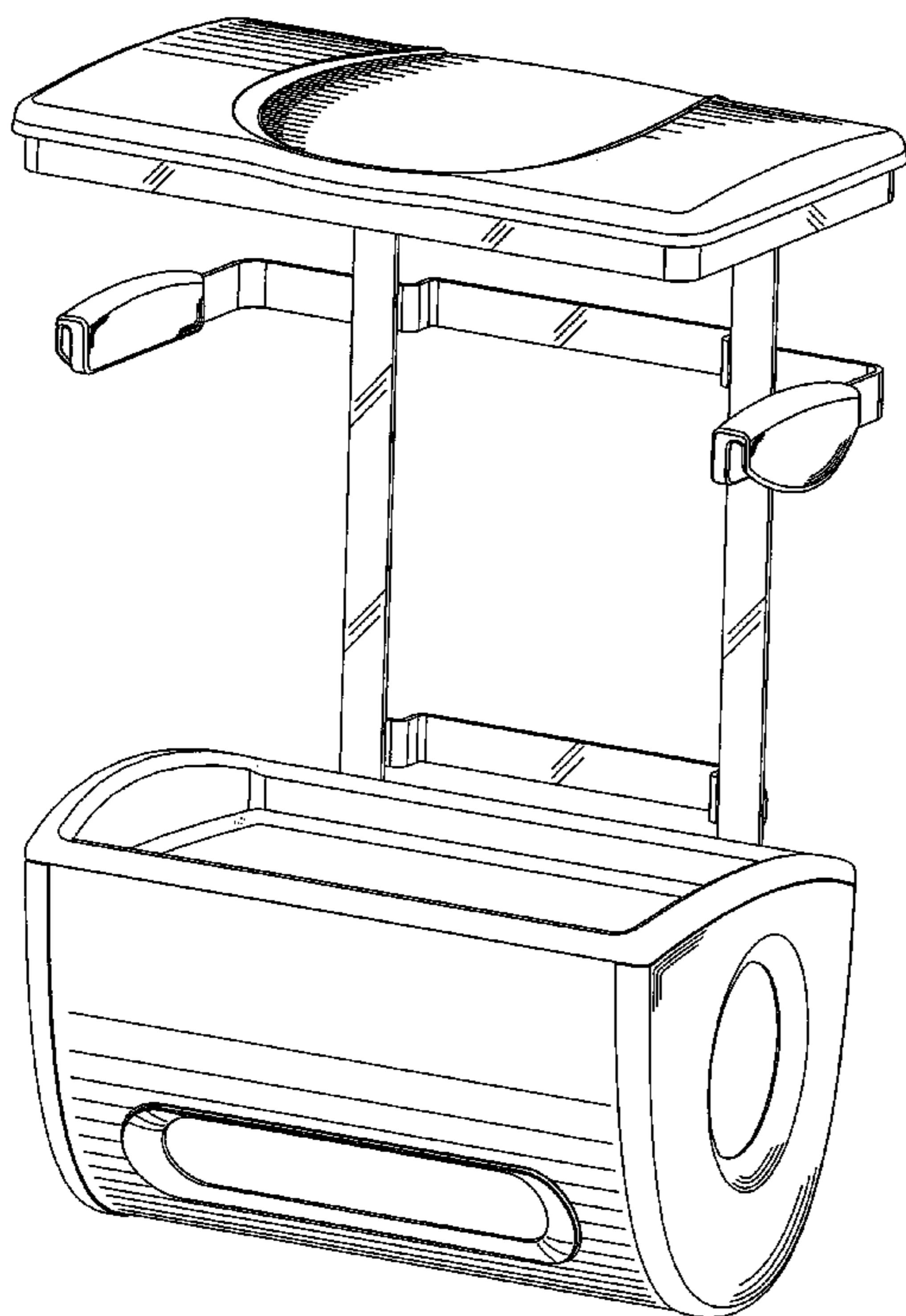
FIG. 6 is a left side view thereof, the side opposite being a mirror image thereof;

FIG. 7 is a right perspective view thereof; and,

FIG. 8 is a right perspective view of an alternate embodiment of the bag holder with storage unit, showing a contrast in materials using stippling, to differentiate from areas of the embodiment of the bag holder with storage unit illustrated in FIG. 1.

The broken line showing of environment in the figure drawings is for illustrative purposes only and forms no part of the claimed design.

1 Claim, 8 Drawing Sheets



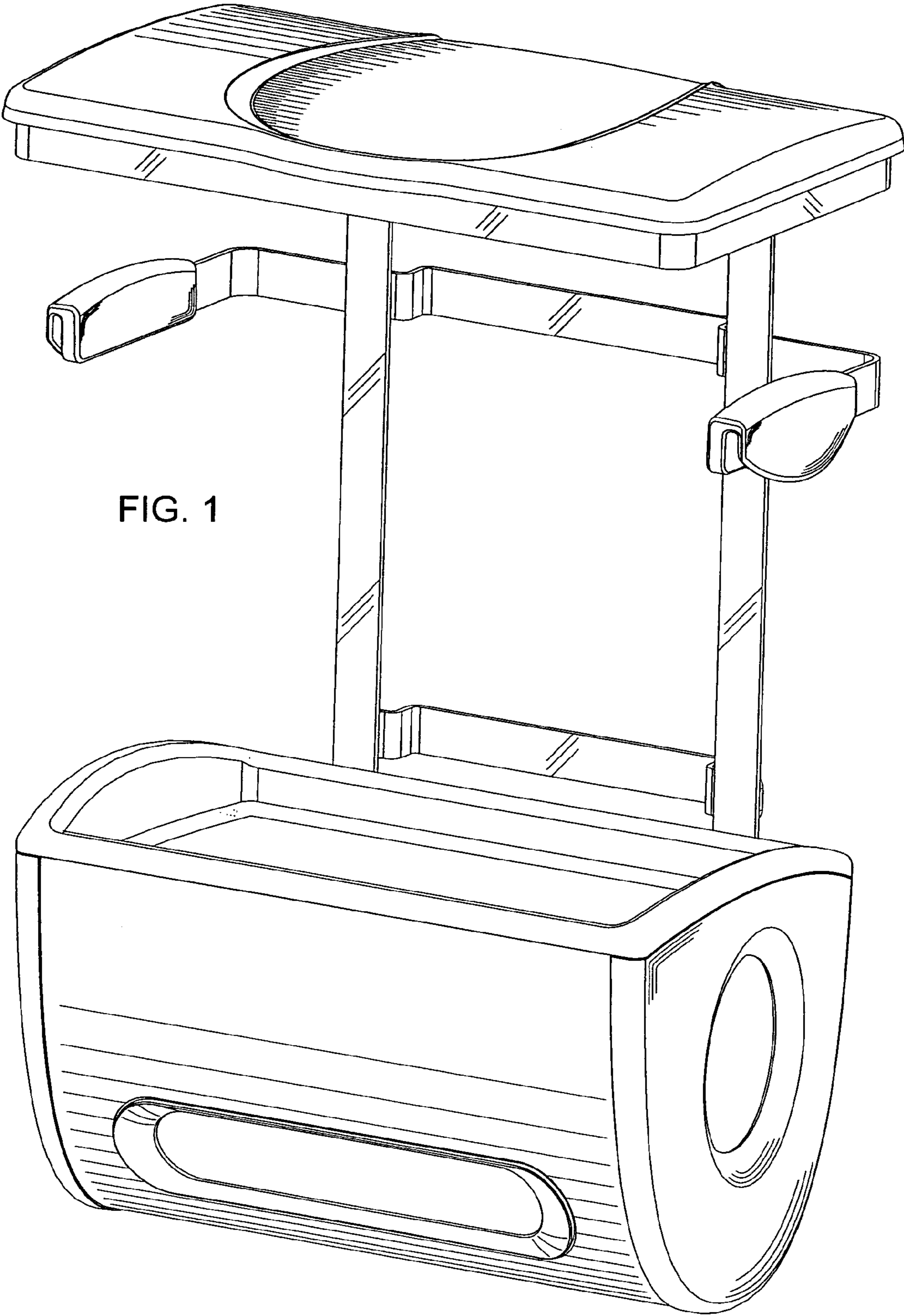


FIG. 1

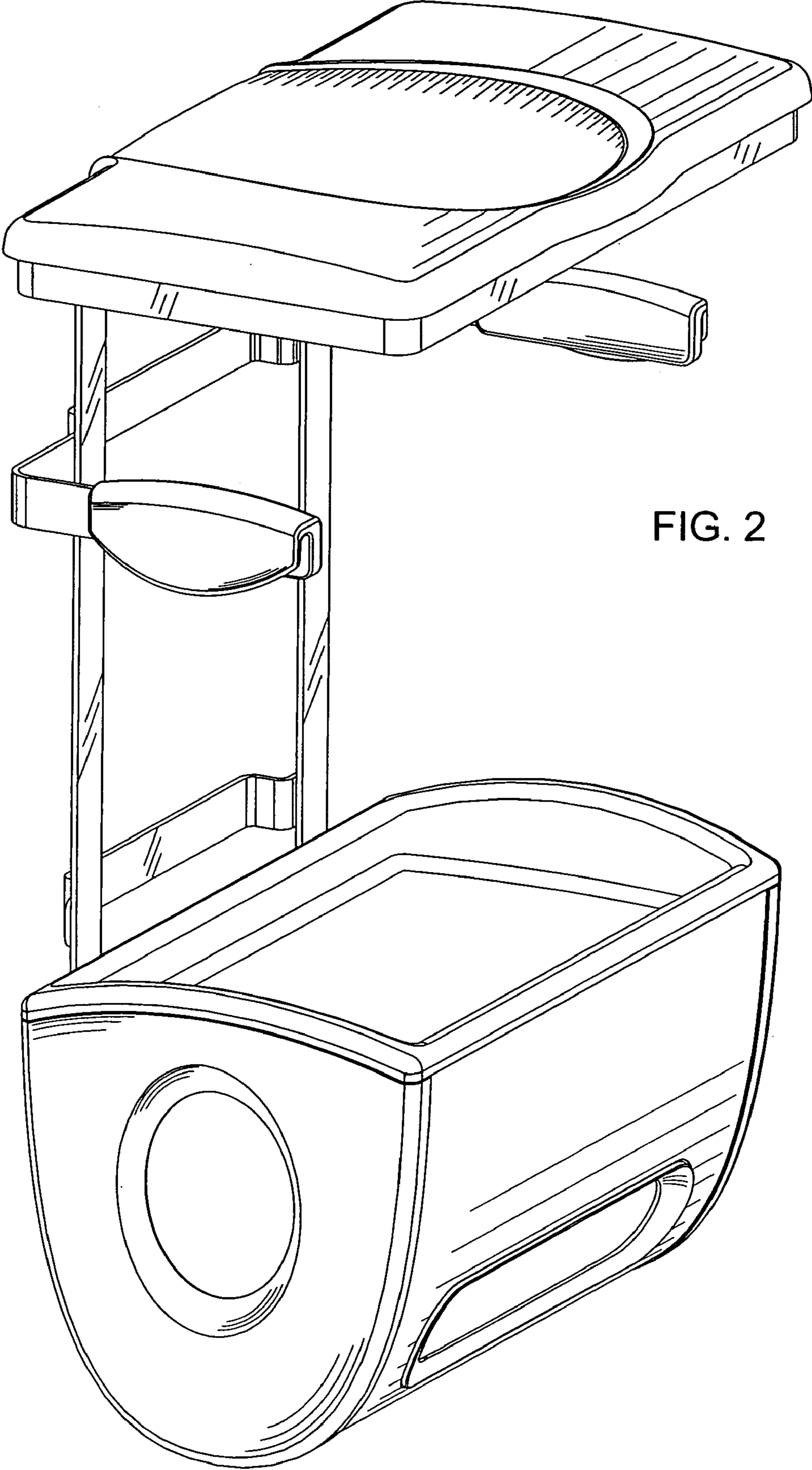
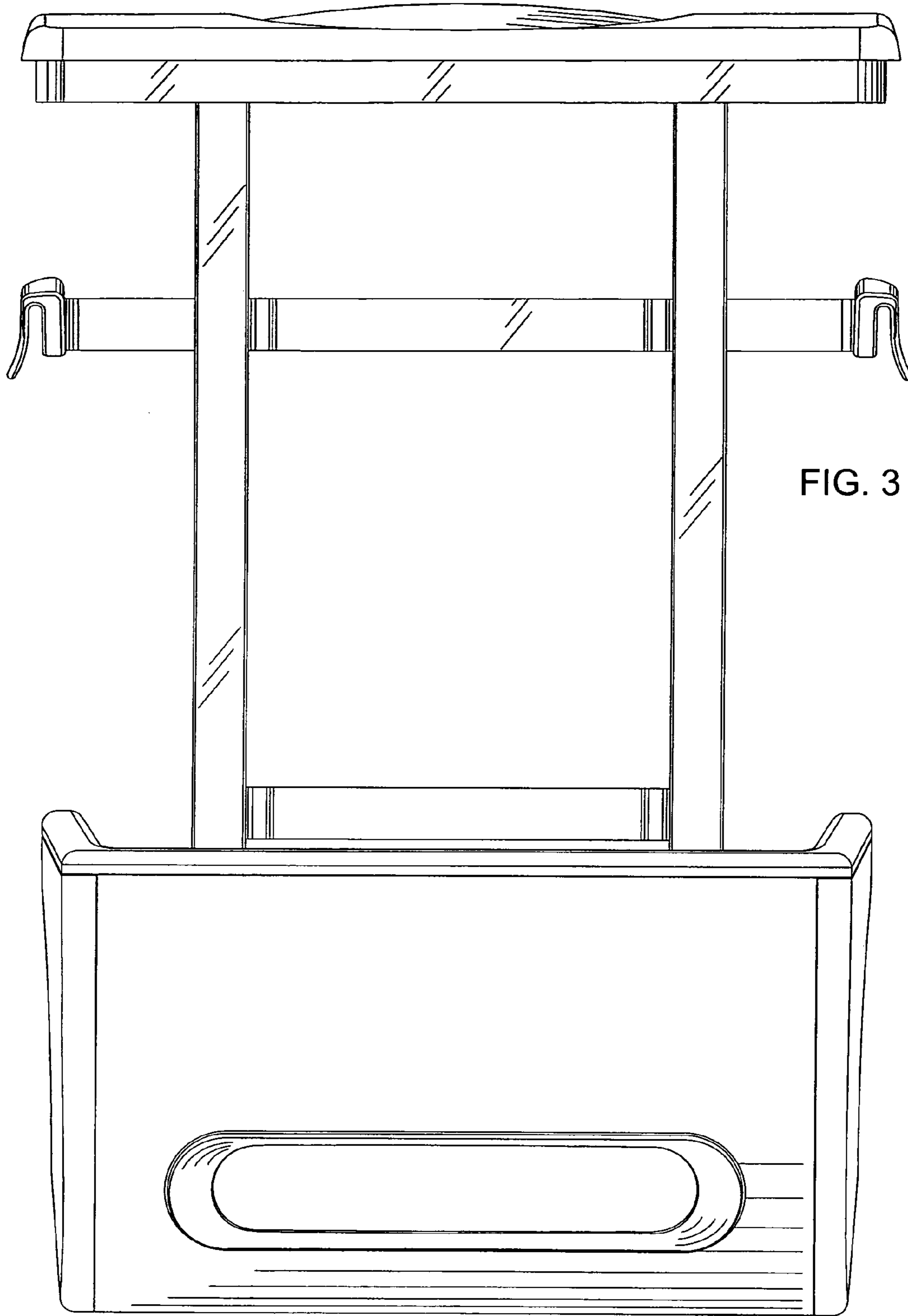


FIG. 2



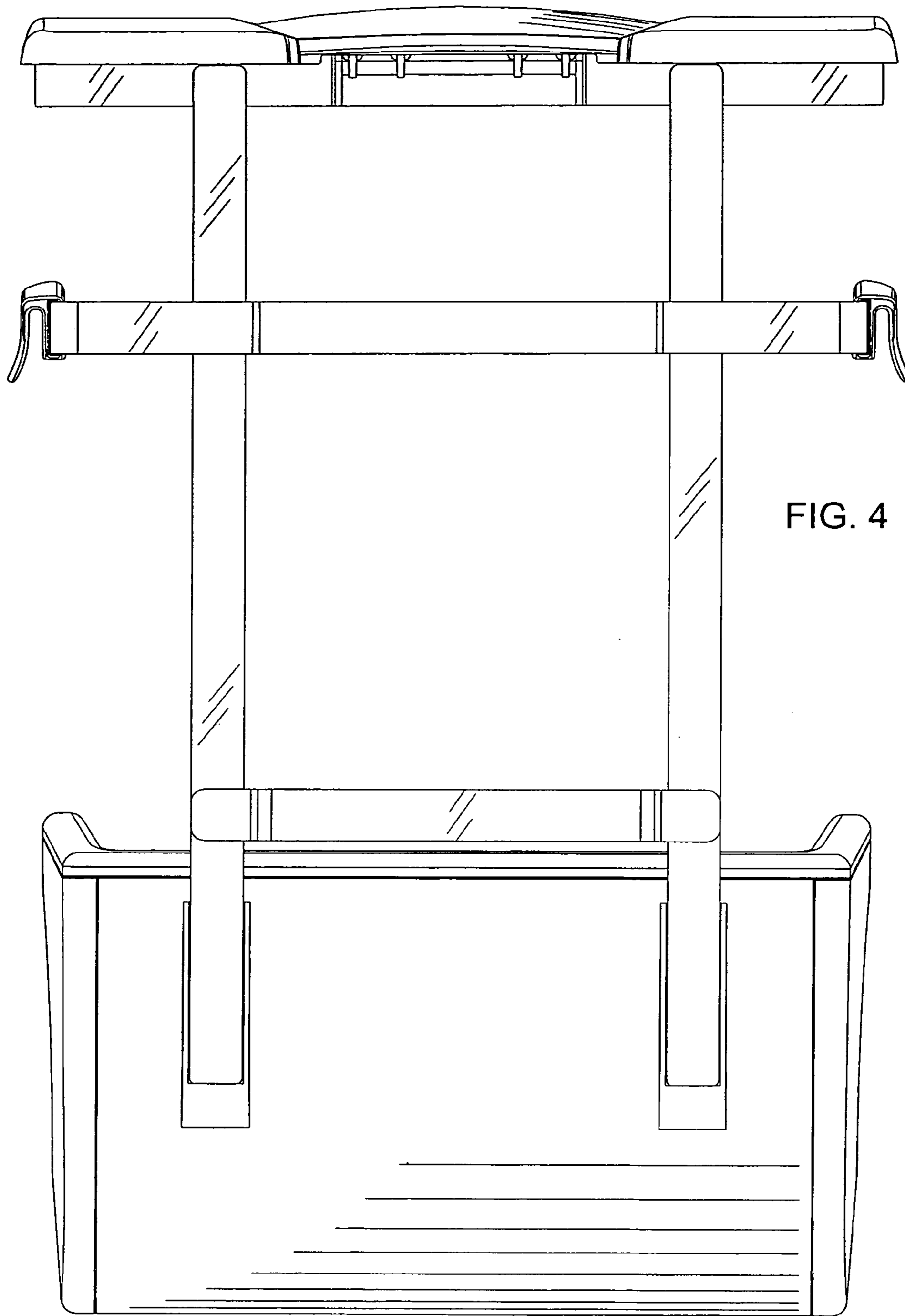
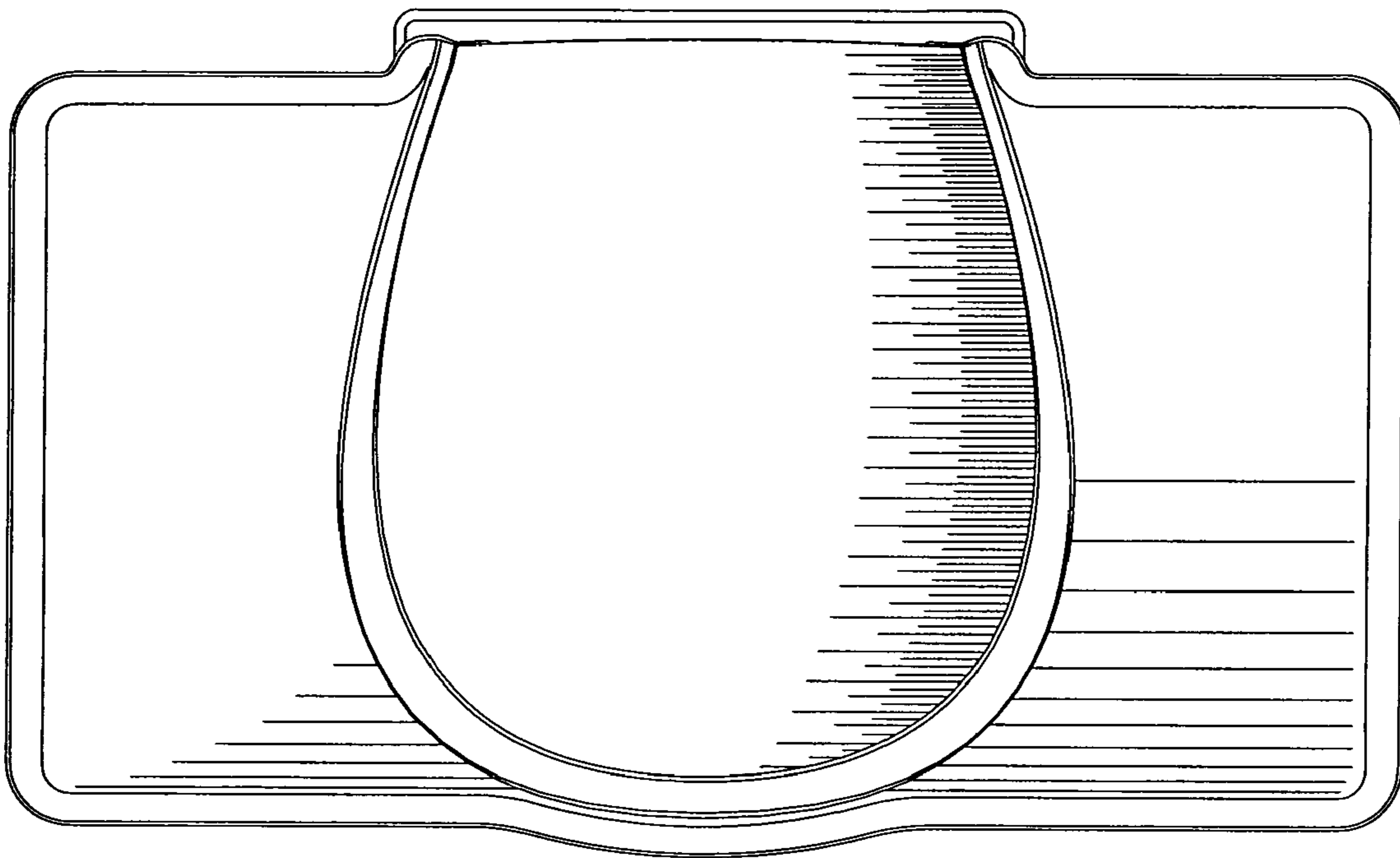


FIG. 5



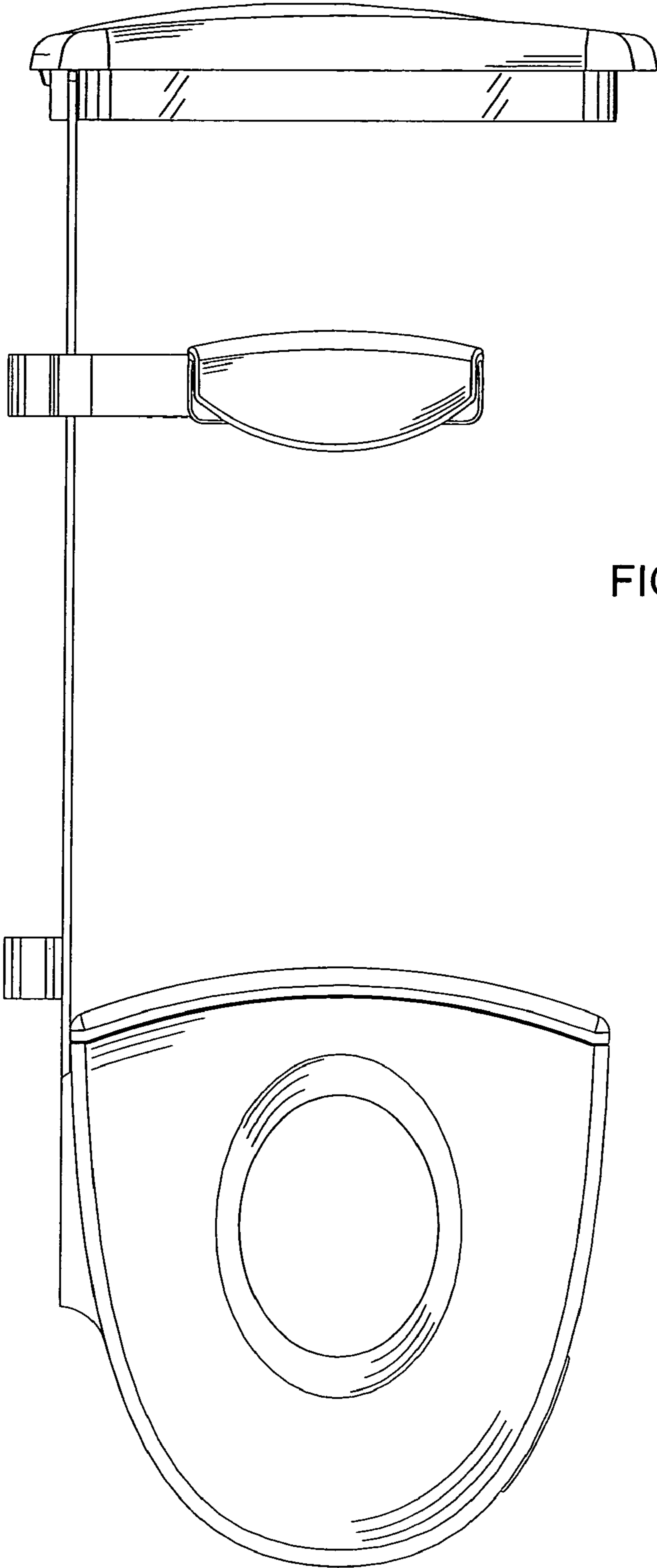
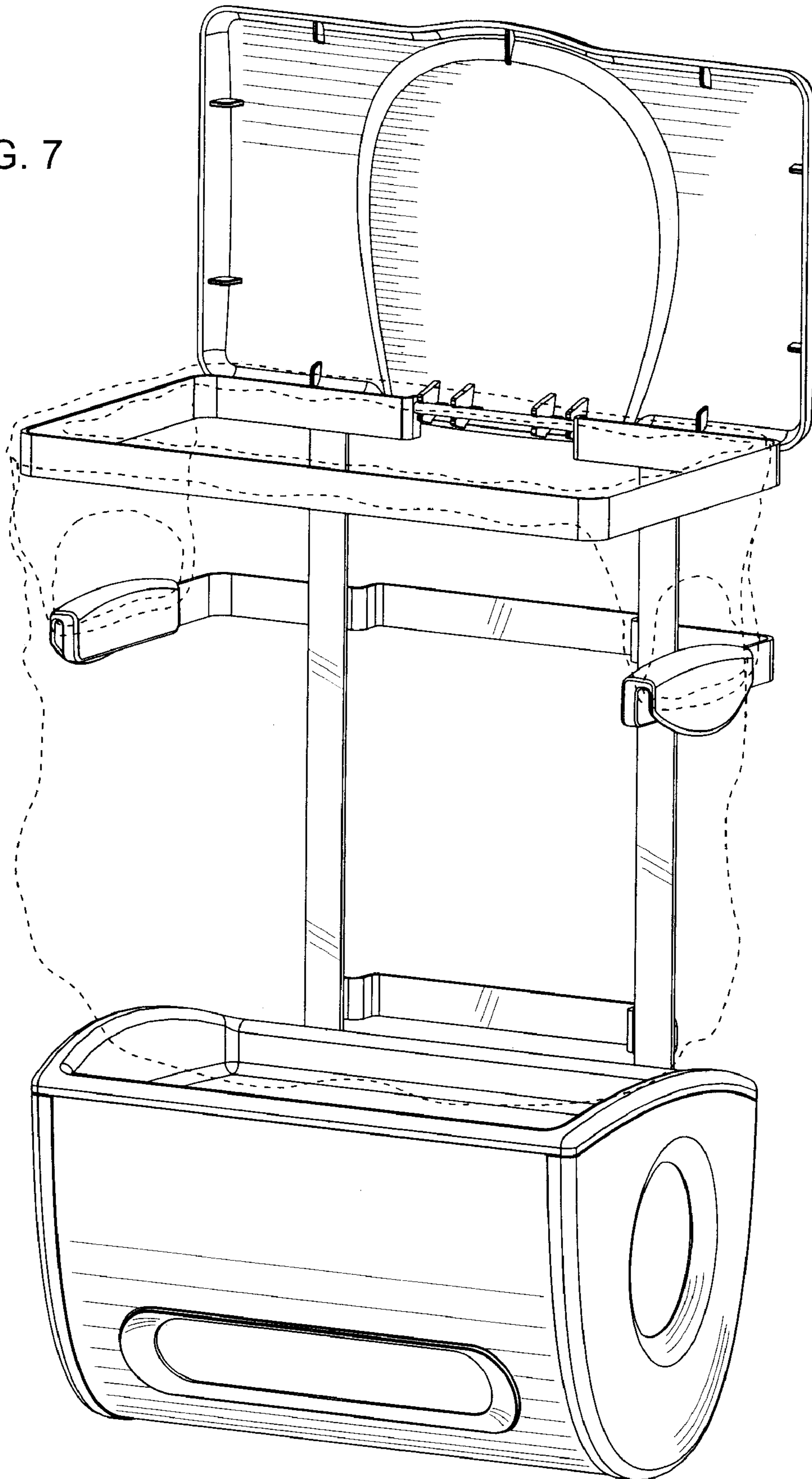


FIG. 6

FIG. 7



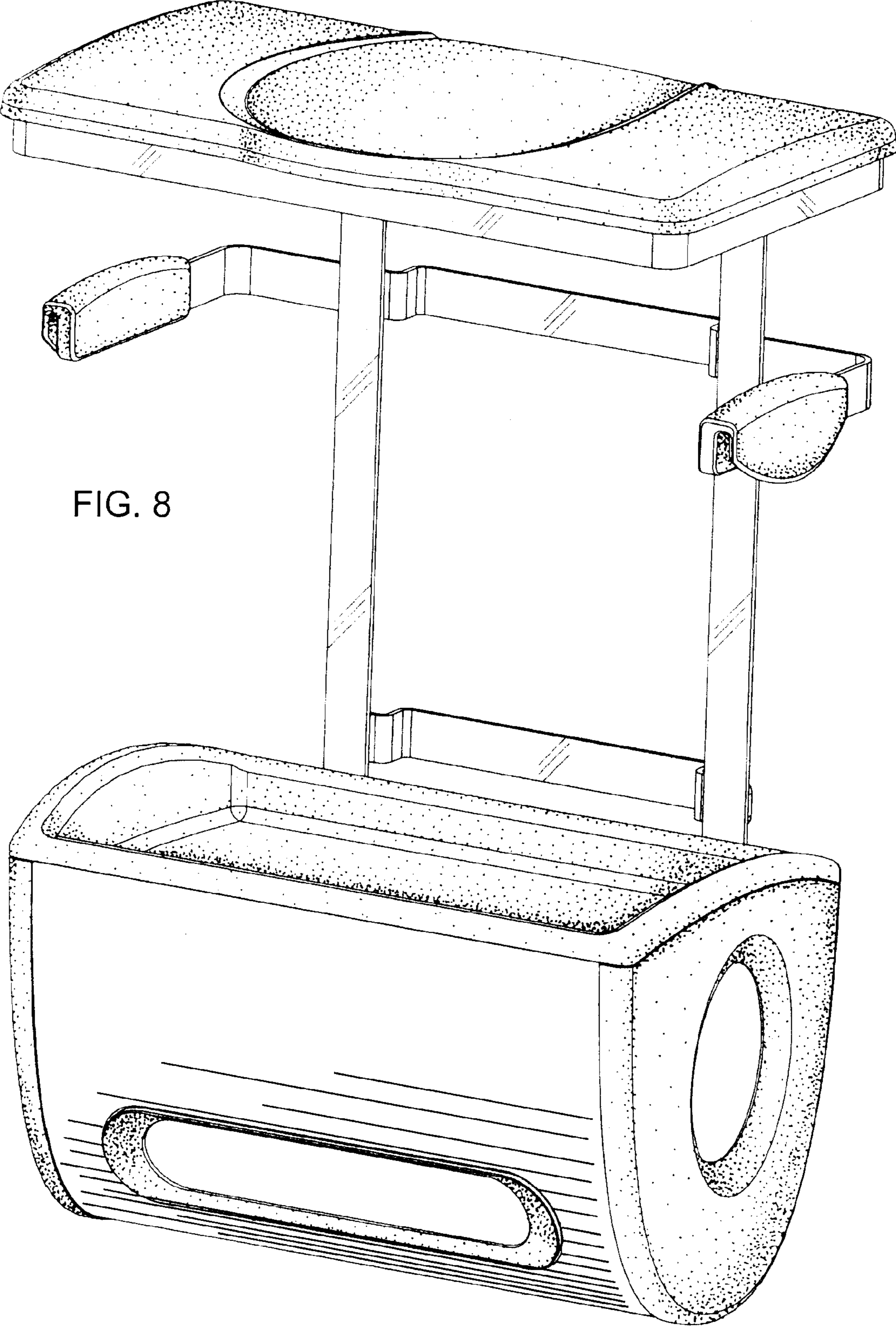


FIG. 8