



US00D548913S

(12) **United States Design Patent** (10) **Patent No.:** **US D548,913 S**  
**Van Landingham, Jr.** (45) **Date of Patent:** **\*\* Aug. 14, 2007**

(54) **MOP BUCKET AND WRINGER** 3,187,363 A 6/1965 Auwarter  
 D204,662 S 5/1966 Benjamin  
 (75) Inventor: **Alfred Reneau Van Landingham, Jr.,** D206,933 S 2/1967 Gibbs  
 Stephens City, VA (US) 3,341,876 A 9/1967 Campbell  
 (Continued)

(73) Assignee: **Rubbermaid Commercial Products LLC,** Winchester, VA (US)

**FOREIGN PATENT DOCUMENTS**

(\*\*) Term: **14 Years**

BE 523195 1/1956

(Continued)

(21) Appl. No.: **29/229,596**

*Primary Examiner*—Pamela J. Burgess

(22) Filed: **May 10, 2005**

(74) *Attorney, Agent, or Firm*—Foley & Lardner LLP

(51) **LOC (8) Cl.** ..... **07-07**

(57) **CLAIM**

(52) **U.S. Cl.** ..... **D32/53**

The ornamental design for a mop bucket and wringer, as shown and described.

(58) **Field of Classification Search** ..... D32/53,  
 D32/53.1, 54; D28/61; 220/904, 763, 765,  
 220/23.87; 15/160–262, 264; 206/514  
 See application file for complete search history.

**DESCRIPTION**

(56) **References Cited**

FIG. 1 is a top frontal perspective view of a first embodiment of a mop bucket and wringer according to my new design;

**U.S. PATENT DOCUMENTS**

FIG. 2 is a front view of the mop bucket and wringer shown in FIG. 1;

|             |         |                |
|-------------|---------|----------------|
| 1,184,543 A | 5/1916  | Lepak          |
| 1,234,721 A | 7/1917  | Bogges         |
| 1,486,284 A | 3/1924  | Eiffe          |
| 1,816,861 A | 8/1931  | Mancuso        |
| 1,929,848 A | 10/1933 | Neely          |
| 1,932,099 A | 10/1933 | Cabana         |
| 1,955,445 A | 4/1934  | Wenger         |
| 2,021,977 A | 11/1935 | Allen et al.   |
| 2,023,134 A | 12/1935 | Gringer        |
| 2,123,813 A | 7/1938  | Stiles         |
| 2,134,301 A | 10/1938 | Guggenbuehler  |
| 2,252,436 A | 8/1941  | MacGraham      |
| 2,262,334 A | 11/1941 | Rugaard        |
| 2,277,676 A | 3/1942  | Blanchard      |
| 2,753,579 A | 7/1956  | Kussmann       |
| 2,793,383 A | 5/1957  | Nomiya         |
| 2,870,475 A | 1/1959  | Scheuer et al. |
| 2,932,047 A | 4/1960  | Johnston       |
| 3,099,855 A | 8/1963  | Nash           |
| 3,145,406 A | 8/1964  | Lay            |

FIG. 3 is a left side view of the mop bucket and wringer shown in FIG. 1;

FIG. 4 is a right side view of the mop bucket and wringer shown in FIG. 1;

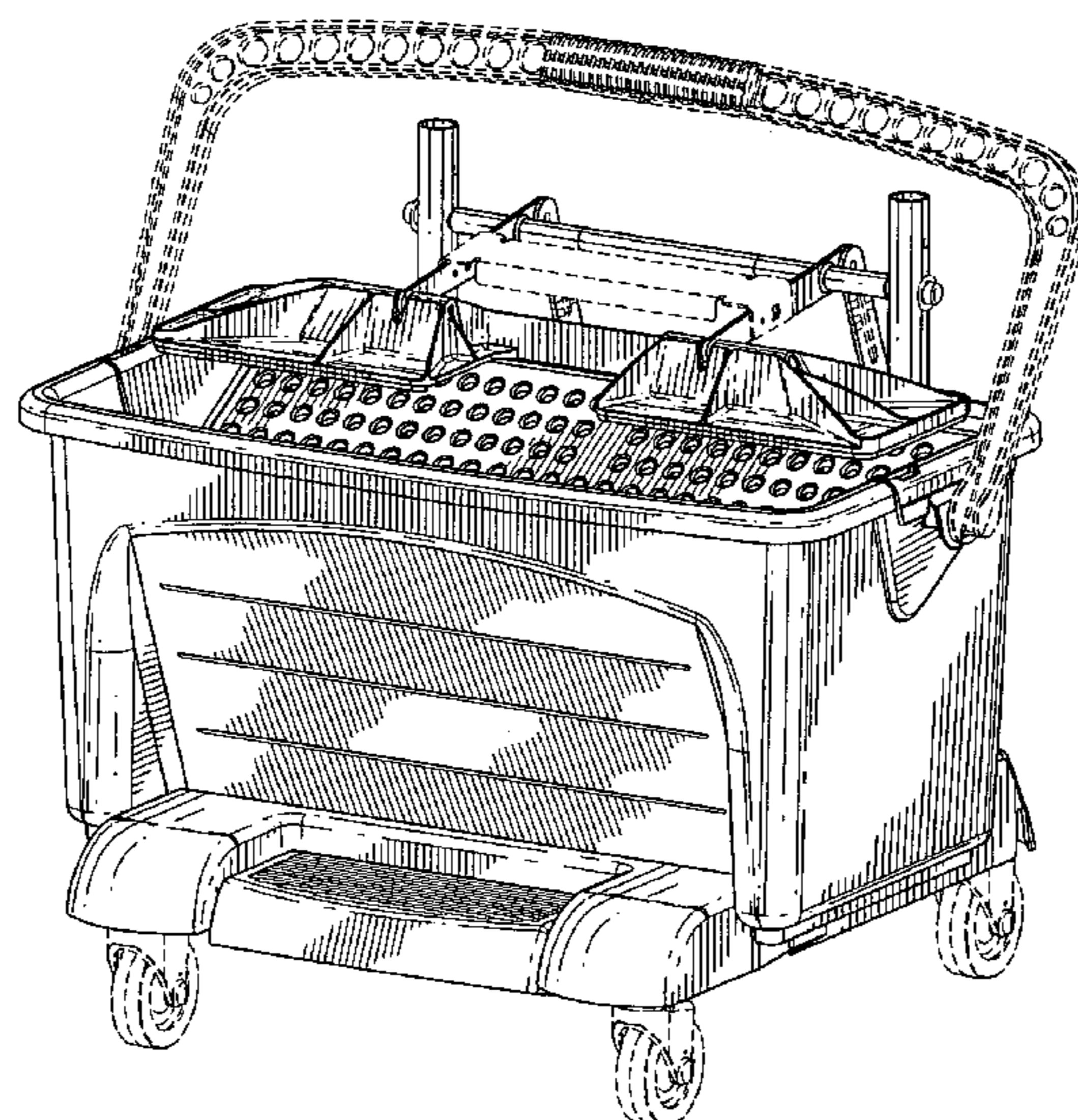
FIG. 5 is a back view of the mop bucket and wringer shown in FIG. 1;

FIG. 6 is a top view of the mop bucket and wringer shown in FIG. 1; and,

FIG. 7 is a bottom view of the mop bucket and wringer shown in FIG. 1.

The ornamental design which is claimed is shown in solid lines in the drawings. The broken lines in the drawings are for illustrative purposes only and form no part of the claimed design.

**1 Claim, 7 Drawing Sheets**



# US D548,913 S

| U.S. PATENT DOCUMENTS |  |  |               |         |                           |
|-----------------------|--|--|---------------|---------|---------------------------|
|                       |  |  | 4,829,622 A   | 5/1989  | O'Sullivan et al.         |
|                       |  |  | 4,829,857 A   | 5/1989  | Jones                     |
|                       |  |  | 4,850,075 A   | 7/1989  | Kresse et al.             |
|                       |  |  | 4,852,207 A   | 8/1989  | Yamane                    |
|                       |  |  | 4,852,210 A   | 8/1989  | Krajicek                  |
|                       |  |  | D304,630 S    | 11/1989 | Jones et al.              |
|                       |  |  | 4,912,804 A   | 4/1990  | Pasbol                    |
|                       |  |  | D307,517 S    | 5/1990  | Mallory et al.            |
|                       |  |  | 4,962,561 A   | 10/1990 | Hamilton                  |
|                       |  |  | D320,295 S    | 9/1991  | Delmerico                 |
|                       |  |  | 5,071,489 A   | 12/1991 | Silvenis et al.           |
|                       |  |  | 5,099,539 A   | 3/1992  | Forester                  |
|                       |  |  | 5,109,637 A   | 5/1992  | Calafut et al.            |
|                       |  |  | 5,133,101 A   | 7/1992  | Hauser et al.             |
|                       |  |  | 5,207,754 A   | 5/1993  | Harrah                    |
|                       |  |  | 5,220,707 A   | 6/1993  | Newman, Sr. et al.        |
|                       |  |  | 5,228,202 A   | 7/1993  | Liao                      |
|                       |  |  | 5,242,362 A   | 9/1993  | Talamantez                |
|                       |  |  | D344,379 S    | 2/1994  | Clark, Jr.                |
|                       |  |  | D345,236 S    | 3/1994  | Chen                      |
|                       |  |  | D348,550 S    | 7/1994  | Cox et al.                |
|                       |  |  | 5,333,347 A   | 8/1994  | Stranders                 |
|                       |  |  | 5,333,353 A   | 8/1994  | Taylor                    |
|                       |  |  | 5,343,589 A   | 9/1994  | Davenport                 |
|                       |  |  | 5,375,286 A   | 12/1994 | Harrah                    |
|                       |  |  | 5,402,559 A   | 4/1995  | Allison et al.            |
|                       |  |  | D358,238 S    | 5/1995  | Barnett                   |
|                       |  |  | 5,419,015 A   | 5/1995  | Garcia                    |
|                       |  |  | D359,605 S    | 6/1995  | Janikowski                |
|                       |  |  | 5,426,809 A   | 6/1995  | Muta                      |
|                       |  |  | 5,440,778 A   | 8/1995  | De Guzman                 |
|                       |  |  | 5,461,749 A   | 10/1995 | Ahlberg et al.            |
|                       |  |  | 5,469,594 A   | 11/1995 | Nolte                     |
|                       |  |  | D366,740 S    | 1/1996  | Clausen et al.            |
|                       |  |  | 5,487,202 A   | 1/1996  | Cowan                     |
|                       |  |  | D368,561 S    | 4/1996  | Hodges et al.             |
|                       |  |  | 5,502,864 A   | 4/1996  | Sorenson                  |
|                       |  |  | 5,515,574 A   | 5/1996  | Larson                    |
|                       |  |  | 5,548,865 A * | 8/1996  | Pagani ..... 15/262       |
|                       |  |  | 5,553,344 A   | 9/1996  | Rosenkrantz               |
|                       |  |  | D374,321 S    | 10/1996 | Mandell et al.            |
|                       |  |  | 5,579,557 A   | 12/1996 | Boden                     |
|                       |  |  | 5,579,558 A   | 12/1996 | Newman, Jr. et al.        |
|                       |  |  | 5,603,138 A   | 2/1997  | Bonis                     |
|                       |  |  | 5,611,104 A   | 3/1997  | De Mars                   |
|                       |  |  | 5,625,923 A   | 5/1997  | Huang                     |
|                       |  |  | D380,303 S    | 7/1997  | Wolfenden                 |
|                       |  |  | 5,655,250 A   | 8/1997  | Warrell                   |
|                       |  |  | D383,580 S    | 9/1997  | Bolster et al.            |
|                       |  |  | 5,666,685 A   | 9/1997  | Von Grolman et al.        |
|                       |  |  | D384,818 S    | 10/1997 | Wolfenden                 |
|                       |  |  | 5,682,641 A   | 11/1997 | Newman, Jr. et al.        |
|                       |  |  | 5,720,071 A   | 2/1998  | Hall                      |
|                       |  |  | D391,715 S    | 3/1998  | Irwin et al.              |
|                       |  |  | 5,729,865 A   | 3/1998  | Stoddart                  |
|                       |  |  | 5,752,415 A   | 5/1998  | Tsai                      |
|                       |  |  | D395,530 S    | 6/1998  | Mandell et al.            |
|                       |  |  | D395,531 S    | 6/1998  | Mandell et al.            |
|                       |  |  | 5,771,535 A   | 6/1998  | Blessing                  |
|                       |  |  | 5,774,929 A   | 7/1998  | Jürgens et al.            |
|                       |  |  | 5,779,291 A   | 7/1998  | Forest                    |
|                       |  |  | D396,914 S *  | 8/1998  | Pepper et al. .... D32/53 |
|                       |  |  | 5,791,006 A   | 8/1998  | Anctil                    |
|                       |  |  | 5,791,805 A   | 8/1998  | Lynch et al.              |
|                       |  |  | 5,813,567 A   | 9/1998  | Mangano                   |
|                       |  |  | 5,815,878 A   | 10/1998 | Murakami et al.           |
|                       |  |  | D402,776 S    | 12/1998 | Carlson                   |
|                       |  |  | 5,842,810 A   | 12/1998 | Morad                     |
|                       |  |  | 5,845,361 A   | 12/1998 | Murakami et al.           |
|                       |  |  | 5,845,917 A   | 12/1998 | Huang                     |
|                       |  |  | D403,819 S    | 1/1999  | Carlson                   |
|                       |  |  | 5,862,562 A   | 1/1999  | Erken                     |
|                       |  |  | D404,924 S    | 2/1999  | Schmidt                   |



# US D548,913 S

|              |         |                              |                 |         |                        |
|--------------|---------|------------------------------|-----------------|---------|------------------------|
| 5,864,913 A  | 2/1999  | Robertson et al.             | 6,461,074 B2    | 10/2002 | Taylor                 |
| D406,932 S   | 3/1999  | Hodges                       | D465,890 S      | 11/2002 | Rivera et al.          |
| 5,887,315 A  | 3/1999  | Rogers                       | 6,484,346 B2    | 11/2002 | Kingry et al.          |
| D407,878 S   | 4/1999  | Carlson                      | 6,513,184 B1    | 2/2003  | Brown et al.           |
| D408,602 S   | 4/1999  | Carlson                      | 6,523,220 B1    | 2/2003  | Lynn                   |
| D409,343 S   | 5/1999  | Kingry et al.                | 6,530,124 B2    | 3/2003  | Newman et al.          |
| D411,673 S   | 6/1999  | Biggs et al.                 | 6,532,630 B1    | 3/2003  | Newman et al.          |
| 5,915,437 A  | 6/1999  | Petner                       | 6,543,082 B2    | 4/2003  | Dingert et al.         |
| 5,918,343 A  | 7/1999  | Young                        | 6,546,596 B2    | 4/2003  | Grote et al.           |
| 5,920,944 A  | 7/1999  | Biggs et al.                 | D476,123 S      | 6/2003  | Debreczeni             |
| 5,926,896 A  | 7/1999  | Allemann et al.              | D477,447 S *    | 7/2003  | Calaicone ..... D32/53 |
| 5,941,410 A  | 8/1999  | Mangano                      | 6,588,065 B1    | 7/2003  | Tucker, III            |
| 5,960,508 A  | 10/1999 | Holt et al.                  | 6,601,261 B1    | 8/2003  | Holt et al.            |
| 5,971,199 A  | 10/1999 | Jackson                      | 6,606,757 B2    | 8/2003  | Vosbikian et al.       |
| D417,051 S * | 11/1999 | Dickinson et al. .... D32/53 | D481,184 S      | 10/2003 | Clare et al.           |
| 5,983,441 A  | 11/1999 | Williams et al.              | D482,829 S      | 11/2003 | Vosbikian et al.       |
| 5,983,455 A  | 11/1999 | Polzin et al.                | 6,651,290 B2    | 11/2003 | Kingry et al.          |
| 5,987,685 A  | 11/1999 | Lambert                      | 6,669,397 B1    | 12/2003 | Christion              |
| 5,992,423 A  | 11/1999 | Tevolini                     | 6,671,923 B2    | 1/2004  | Gromnicki              |
| D417,934 S   | 12/1999 | Footer et al.                | 6,671,930 B2    | 1/2004  | Lanz                   |
| 5,996,175 A  | 12/1999 | Fusco                        | D486,616 S      | 2/2004  | Hall et al.            |
| 6,000,094 A  | 12/1999 | Young                        | D487,174 S      | 2/2004  | Colman et al.          |
| 6,003,191 A  | 12/1999 | Sherry et al.                | 6,684,446 B2    | 2/2004  | Salmon                 |
| 6,023,924 A  | 2/2000  | Babineau                     | 6,684,450 B2    | 2/2004  | Dingert                |
| 6,029,308 A  | 2/2000  | Smith                        | 6,687,943 B2    | 2/2004  | Zorzo                  |
| D423,157 S   | 4/2000  | Hodges                       | D489,852 S      | 5/2004  | Perelli                |
| D423,742 S   | 4/2000  | Kingry et al.                | D490,952 S      | 6/2004  | Ajluni                 |
| 6,045,622 A  | 4/2000  | Holt et al.                  | 6,794,352 B2    | 9/2004  | Svendson               |
| 6,048,123 A  | 4/2000  | Holt et al.                  | 2001/0013153 A1 | 8/2001  | Zorzo                  |
| 6,058,548 A  | 5/2000  | Footer et al.                | 2001/0029640 A1 | 10/2001 | Cassar                 |
| 6,058,552 A  | 5/2000  | Hanan                        | 2001/0047559 A1 | 12/2001 | Graham et al.          |
| 6,061,864 A  | 5/2000  | Ensson                       | 2001/0047570 A1 | 12/2001 | Lanz                   |
| D426,361 S   | 6/2000  | Young                        | 2002/0021013 A1 | 2/2002  | Newman et al.          |
| D427,401 S   | 6/2000  | Kunkler                      | 2002/0026680 A1 | 3/2002  | Kingry et al.          |
| D428,226 S   | 7/2000  | Kunkler                      | 2002/0066163 A1 | 6/2002  | Lomax                  |
| 6,092,255 A  | 7/2000  | Kim                          | 2002/0073502 A1 | 6/2002  | Gromnicki              |
| D429,396 S   | 8/2000  | Houry et al.                 | 2002/0078520 A1 | 6/2002  | Salmon                 |
| D429,862 S   | 8/2000  | Houry et al.                 | 2002/0083964 A1 | 7/2002  | McKay                  |
| 6,098,239 A  | 8/2000  | Vosbikian                    | 2002/0088091 A1 | 7/2002  | Grote et al.           |
| 6,101,661 A  | 8/2000  | Policicchio et al.           | 2002/0088092 A1 | 7/2002  | Cavalheiro             |
| 6,115,877 A  | 9/2000  | Morad et al.                 | 2002/0116780 A1 | 8/2002  | Young                  |
| 6,115,878 A  | 9/2000  | McLaughlin et al.            | 2002/0120997 A1 | 9/2002  | Alt                    |
| 6,119,298 A  | 9/2000  | Kenmochi                     | 2002/0144369 A1 | 10/2002 | Biggs et al.           |
| 6,128,803 A  | 10/2000 | Dickinson et al.             | 2002/0184726 A1 | 12/2002 | Kingry et al.          |
| 6,141,820 A  | 11/2000 | Schmiedhoff et al.           | 2003/0003831 A1 | 1/2003  | Childs et al.          |
| D434,911 S   | 12/2000 | Lynch et al.                 | 2003/0003832 A1 | 1/2003  | Childs et al.          |
| 6,158,089 A  | 12/2000 | Monahan et al.               | 2003/0009839 A1 | 1/2003  | Streutker et al.       |
| 6,199,245 B1 | 3/2001  | Blessing                     | 2003/0024074 A1 | 2/2003  | Hartman                |
| 6,202,250 B1 | 3/2001  | Kenmochi et al.              | 2003/0028988 A1 | 2/2003  | Streutker et al.       |
| 6,213,672 B1 | 4/2001  | Varga                        | 2003/0044569 A1 | 3/2003  | Kacher et al.          |
| 6,237,182 B1 | 5/2001  | Cassar                       | 2003/0046782 A1 | 3/2003  | Kresse et al.          |
| 6,243,909 B1 | 6/2001  | Graham et al.                | 2003/0049407 A1 | 3/2003  | Kacher et al.          |
| 6,254,305 B1 | 7/2001  | Taylor                       | 2003/0056315 A1 | 3/2003  | Salmon                 |
| 6,260,230 B1 | 7/2001  | Hunt                         | 2003/0074756 A1 | 4/2003  | Policicchio et al.     |
| 6,260,238 B1 | 7/2001  | MacMillan                    | 2003/0084531 A1 | 5/2003  | Dingert et al.         |
| 6,279,195 B1 | 8/2001  | Biggs                        | 2003/0106568 A1 | 6/2003  | Keck et al.            |
| 6,298,517 B1 | 10/2001 | McKay                        | 2003/0121116 A1 | 7/2003  | Keck et al.            |
| 6,305,046 B1 | 10/2001 | Kingry et al.                | 2003/0126709 A1 | 7/2003  | Policicchio et al.     |
| 6,311,368 B1 | 11/2001 | Sartori                      | 2003/0126710 A1 | 7/2003  | Policicchio et al.     |
| 6,332,234 B1 | 12/2001 | Graham et al.                | 2003/0135948 A1 | 7/2003  | Holt et al.            |
| 6,339,979 B1 | 1/2002  | Chiang                       | 2003/0150478 A1 | 8/2003  | Biggs                  |
| D455,878 S   | 4/2002  | Debreczeni                   | 2003/0167589 A1 | 9/2003  | Dingert et al.         |
| 6,367,121 B1 | 4/2002  | MacMillan                    | 2003/0200631 A1 | 10/2003 | Clarke                 |
| 6,378,159 B1 | 4/2002  | Garrison et al.              | 2004/0011382 A1 | 1/2004  | Kingry et al.          |
| 6,389,638 B1 | 5/2002  | Dickinson et al.             | 2004/0055099 A1 | 3/2004  | Greenberg              |
| D458,427 S   | 6/2002  | Kunkler et al.               | 2004/0071490 A1 | 4/2004  | Vosbikian et al.       |
| D458,721 S   | 6/2002  | Clarke                       | 2004/0074520 A1 | 4/2004  | Truong et al.          |
| 6,397,427 B1 | 6/2002  | Bryngelsson                  |                 |         |                        |
| 6,405,403 B1 | 6/2002  | McKay                        |                 |         |                        |
| 6,412,138 B1 | 7/2002  | MacMillan                    |                 |         |                        |
| 6,415,470 B1 | 7/2002  | Ramrattan                    |                 |         |                        |
| D465,076 S * | 10/2002 | Zorzo ..... D32/53           |                 |         |                        |
| 6,457,203 B1 | 10/2002 | Williams et al.              |                 |         |                        |

## FOREIGN PATENT DOCUMENTS

|    |            |        |
|----|------------|--------|
| CA | 1109654 A  | 9/1981 |
| CA | 1287955 C  | 8/1991 |
| CA | 2057085 A1 | 6/1992 |

# US D548,913 S

|    |            |    |         |    |            |    |         |
|----|------------|----|---------|----|------------|----|---------|
| CA | 1306590    | C  | 8/1992  | DE | 201 17 581 | U1 | 2/2002  |
| CA | 1307629    | C  | 9/1992  | DE | 202 07 465 | U1 | 2/2002  |
| CA | 2050980    | A1 | 10/1992 | DE | 100 49 334 | A1 | 4/2002  |
| CA | 1315502    | C  | 4/1993  | DE | 101 23 522 | C1 | 8/2002  |
| CA | 2138144    | A1 | 12/1993 | DE | 202 20 311 | U1 | 7/2003  |
| CA | 2114992    | A1 | 8/1994  | DE | 102 23 074 | C1 | 8/2003  |
| CA | 2181683    | A1 | 7/1995  | DE | 102 10 569 | A1 | 9/2003  |
| CA | 2189433    | A1 | 12/1995 | DE | 102 21 060 | A1 | 11/2003 |
| CA | 2203692    | A1 | 4/1997  | DE | 297 24 799 | U1 | 4/2004  |
| CA | 2201432    | A1 | 10/1997 | EP | 0 122 675  | A1 | 10/1984 |
| CA | 2263263    |    | 2/1998  | EP | 0 168 681  | B1 | 1/1986  |
| CA | 2238091    | A1 | 5/1998  | EP | 0 254 507  | A1 | 1/1988  |
| CA | 2252819    | A1 | 10/1998 | EP | 0 299 298  | A1 | 1/1989  |
| CA | 2265139    | A1 | 3/1999  | EP | 0 625 329  | A1 | 11/1994 |
| CA | 2272405    | A1 | 5/1999  | EP | 0 697 269  | A2 | 2/1996  |
| CA | 2 376 800  | A1 | 12/1999 | EP | 0 702 927  | A1 | 3/1996  |
| CA | 2193045    | C  | 12/1999 | EP | 0 781 524  | A  | 7/1997  |
| CA | 2 349 726  | A1 | 5/2000  | EP | 0 782 835  | A2 | 7/1997  |
| CA | 2170154    | C  | 11/2000 | EP | 0 783 866  | A2 | 7/1997  |
| CA | 2 377 579  | A1 | 1/2001  | EP | 568 110    | B1 | 9/1997  |
| CA | 2 380 369  | A1 | 2/2001  | EP | 0 808 601  | A2 | 11/1997 |
| CA | 2 384 137  | A1 | 4/2001  | EP | 0 898 927  | A1 | 3/1999  |
| CA | 2 384 857  | A1 | 4/2001  | EP | 0 981 993  | A2 | 3/2000  |
| CA | 2 332 554  | A1 | 8/2001  | EP | 1 123 683  | A2 | 8/2001  |
| CA | 2 154 839  | C  | 10/2001 | EP | 1 138 246  | A2 | 10/2001 |
| CA | 2 342 010  | A1 | 11/2001 | EP | 1 157 653  | A2 | 11/2001 |
| CA | 2 413 519  | A1 | 1/2002  | EP | 1 162 122  | A2 | 12/2001 |
| CA | 2 353 287  | A1 | 2/2002  | EP | 1 177 863  | A2 | 2/2002  |
| CA | 2 426 042  | A1 | 5/2002  | EP | 1 181 887  | A2 | 2/2002  |
| CA | 2 426 546  | A1 | 5/2002  | EP | 1 234 537  | A2 | 8/2002  |
| CA | 2 426 628  | A1 | 5/2002  | EP | 1 234 538  | A2 | 8/2002  |
| CA | 2 209 147  | C  | 8/2002  | EP | 1 262 139  | A  | 12/2002 |
| CA | 2 448 393  | A1 | 1/2003  | EP | 1 380 248  | A2 | 1/2004  |
| CA | 2 411 221  | A1 | 5/2003  | FR | 786.764    |    | 9/1935  |
| CA | 2 266 783  | C  | 1/2004  | FR | 1.084.131  |    | 1/1955  |
| CA | 2 284 654  | C  | 1/2004  | FR | 1.347.916  |    | 11/1963 |
| CA | 2 266 541  | C  | 3/2004  | FR | 2 354 743  |    | 1/1978  |
| CA | 2 282 149  | C  | 3/2004  | FR | 2 495 530  |    | 6/1982  |
| CA | 2215574    | C  | 3/2004  | FR | 2 769 204  | A1 | 4/1999  |
| CA | 2 300 393  | C  | 5/2004  | GB | 660499     |    | 11/1951 |
| CA | 2 193 044  | C  | 12/2004 | GB | 820753     | A  | 9/1959  |
| DE | 597 084    |    | 5/1934  | GB | 945831     |    | 1/1964  |
| DE | 815036     |    | 9/1951  | GB | 1 501 316  |    | 2/1978  |
| DE | 1 703 505  |    | 5/1968  | GB | 1 562 009  |    | 3/1980  |
| DE | 1 503 872  |    | 7/1969  | GB | 2 197 185  | A  | 5/1988  |
| DE | 34 11 858  | A1 | 8/1985  | GB | 2 319 742  | A  | 6/1998  |
| DE | 9000477    | U1 | 1/1990  | GB | 2 331 694  | A  | 6/1999  |
| DE | 41 09 142  | A1 | 9/1992  | GB | 2 372 430  | A  | 8/2002  |
| DE | 9301615    | U1 | 2/1993  | GB | 2 372 437  | A  | 8/2002  |
| DE | 9307679    | U1 | 9/1993  | LU | 88 755     |    | 10/1996 |
| DE | 43 29 848  | A1 | 3/1994  | NL | 6903297    |    | 9/1970  |
| DE | 9408885    | U1 | 10/1994 | PL | 183974     | B1 | 11/1997 |
| DE | 9410791    | U1 | 10/1994 | SE | 470 475    | B  | 5/1994  |
| DE | 9411092    | U1 | 10/1994 | SE | 502 450    | C2 | 10/1995 |
| DE | 43 18 792  | A1 | 12/1994 | WO | WO89/12419 | A1 | 12/1989 |
| DE | 9415002    | U1 | 12/1994 | WO | WO92/14064 | A1 | 8/1992  |
| DE | 94 16 565  | U1 | 1/1995  | WO | WO92/18046 | A1 | 10/1992 |
| DE | 94 21 373  | U1 | 12/1995 | WO | WO92/19142 | A1 | 11/1992 |
| DE | 195 21 341 | A1 | 12/1996 | WO | WO93/26148 | A1 | 12/1993 |
| DE | 195 29 780 | A1 | 2/1997  | WO | WO95/07044 | A1 | 3/1995  |
| DE | 9311098    | U1 | 2/1997  | WO | WO95/20107 | A1 | 7/1995  |
| DE | 296 20 863 | U1 | 3/1997  | WO | WO95/32661 | A1 | 12/1995 |
| DE | 196 20 663 | A1 | 11/1997 | WO | WO97/01420 | A1 | 1/1997  |
| DE | 197 36 735 | A1 | 2/1999  | WO | WO97/10742 | A1 | 3/1997  |
| DE | 298 18 942 | U1 | 2/1999  | WO | WO97/18744 | A1 | 5/1997  |
| DE | 198 03 595 | A1 | 8/1999  | WO | WO97/33510 | A1 | 9/1997  |
| DE | 198 27 865 | A1 | 1/2000  | WO | WO97/35510 | A1 | 10/1997 |
| DE | 199 08 259 | A1 | 8/2000  | WO | WO98/06316 | A1 | 2/1998  |
| DE | 100 20 366 | A1 | 6/2001  | WO | WO98/11812 | A1 | 3/1998  |
| DE | 100 08 331 | A1 | 9/2001  | WO | WO98/11813 | A1 | 3/1998  |
| DE | 100 13 308 | C1 | 9/2001  | WO | WO98/12023 | A1 | 3/1998  |
| DE | 100 19 211 | A1 | 9/2001  | WO | WO98/23199 | A1 | 6/1998  |
| DE | 201 06 432 | U1 | 9/2001  | WO | WO98/36676 | A1 | 8/1998  |



# US D548,913 S

Page 5

---

WO WO98/42246 A1 10/1998  
WO WO99/07523 A1 2/1999  
WO WO99/11171 A1 3/1999  
WO WO99/63879 A1 12/1999  
WO WO99/66825 A1 12/1999  
WO WO 00/27271 A2 5/2000  
WO WO 00/69321 A 11/2000  
WO WO 01/06137 A1 1/2001  
WO WO 01/22860 A1 4/2001  
WO WO 01/22861 A2 4/2001  
WO WO 01/39653 A1 6/2001

WO WO 01/45547 A1 6/2001  
WO WO 01/54867 A1 8/2001  
WO WO 01/67941 A1 9/2001  
WO WO 01/67942 A1 9/2001  
WO WO 02/00085 A2 1/2002  
WO WO 02/083370 A1 10/2002  
WO WO 03/075737 A2 9/2003  
WO WO 03/092965 A2 11/2003  
WO WO 03/099095 A1 12/2003

\* cited by examiner

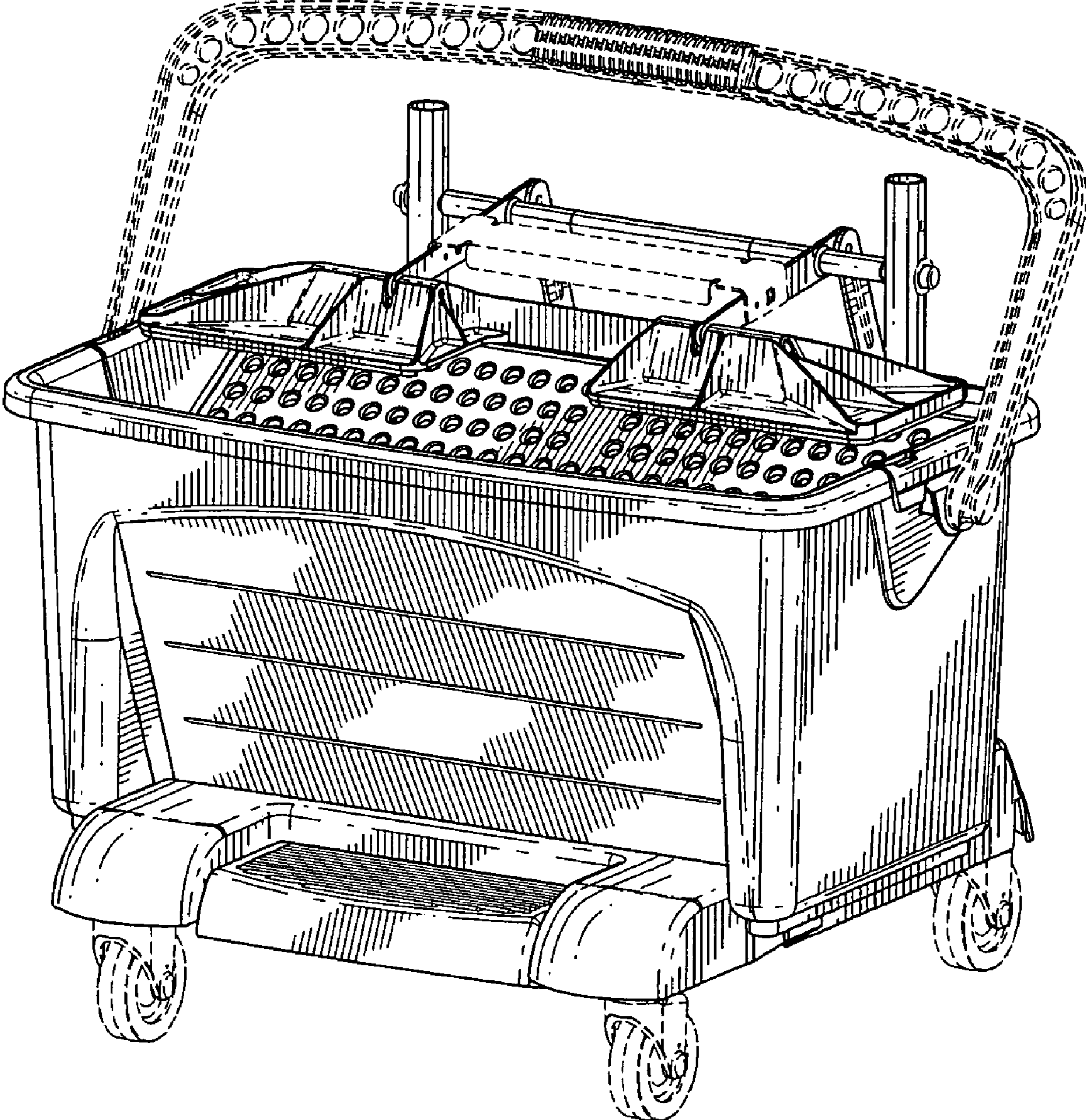


FIG. 1

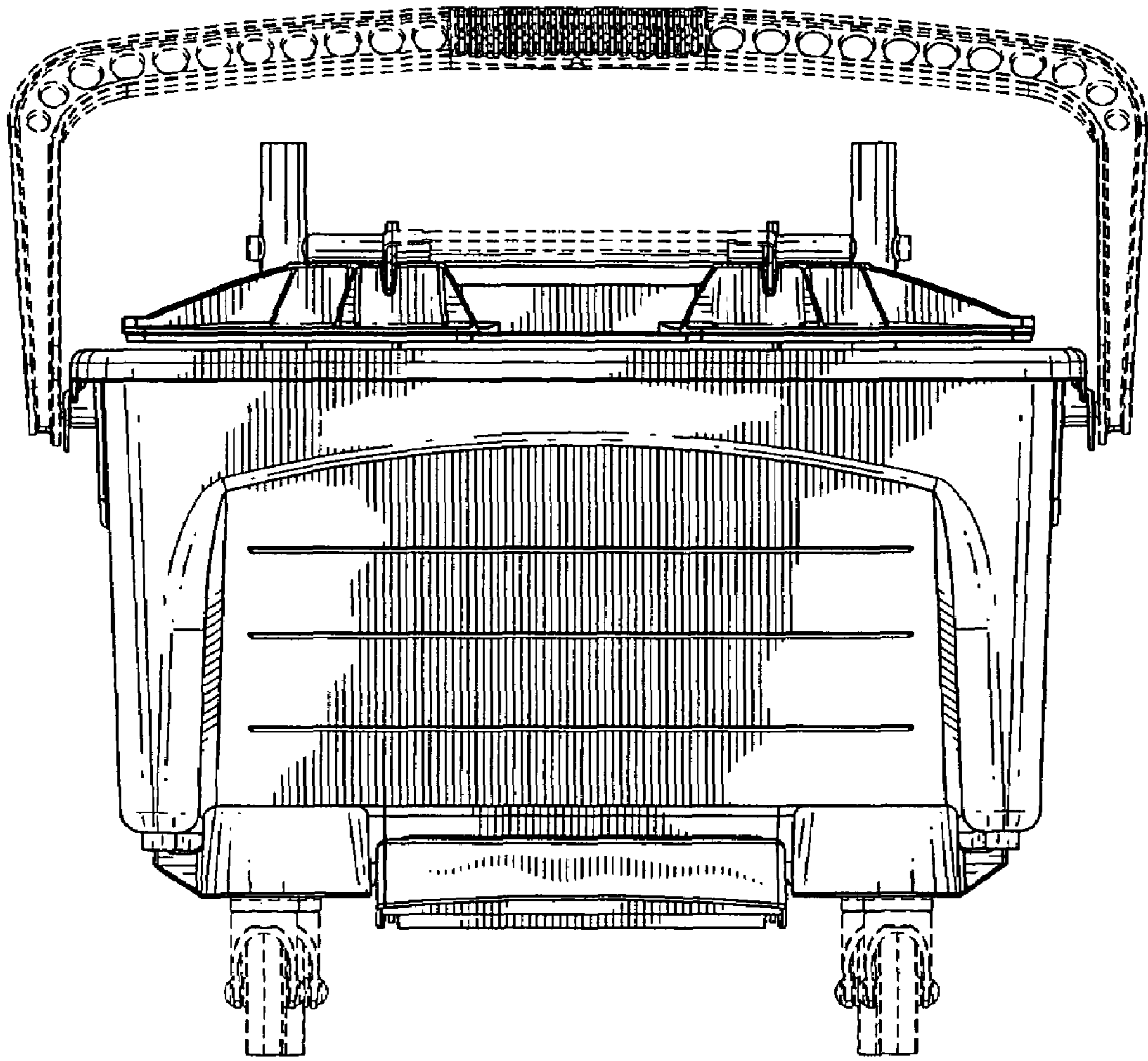


FIG. 2

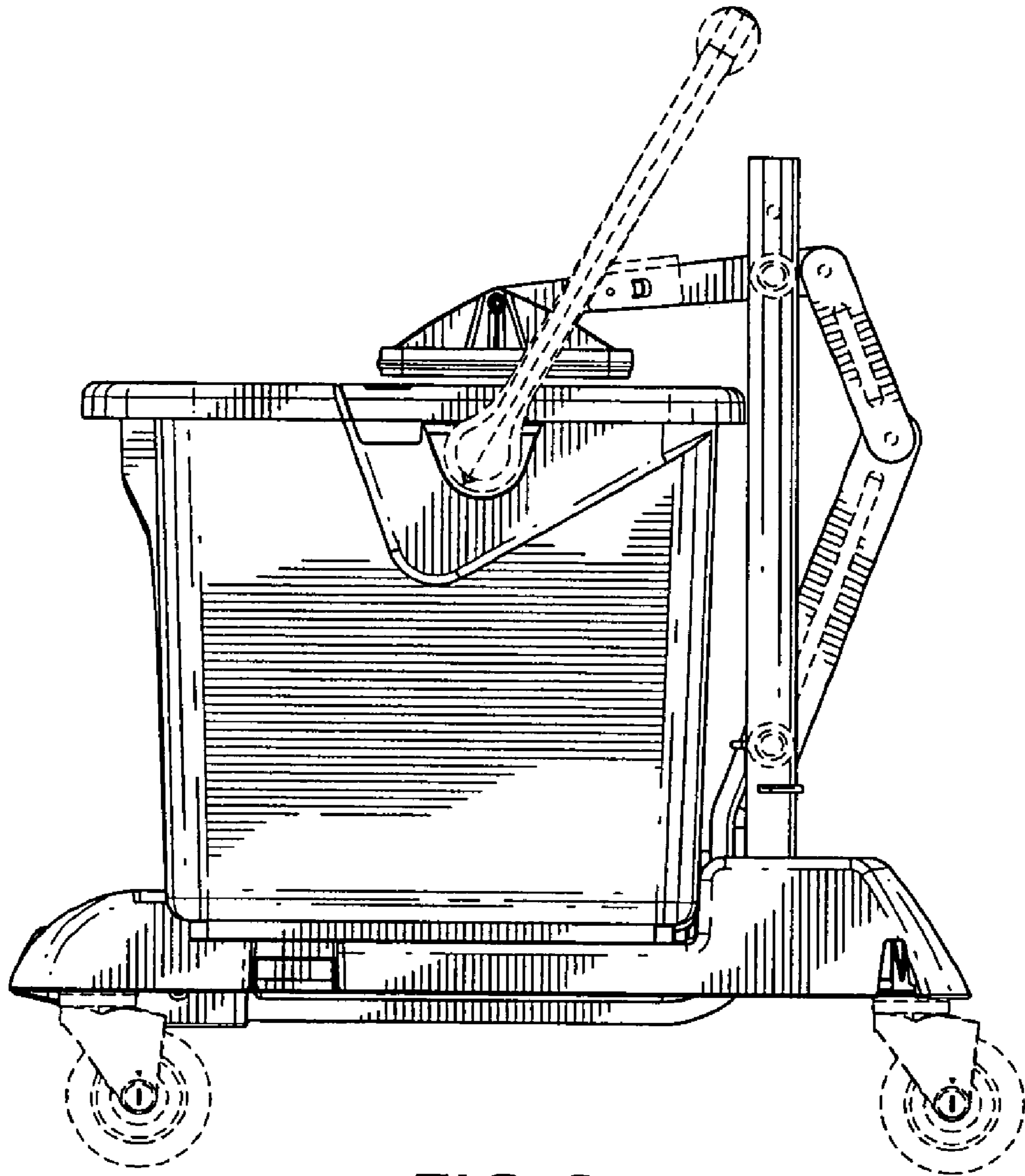


FIG. 3



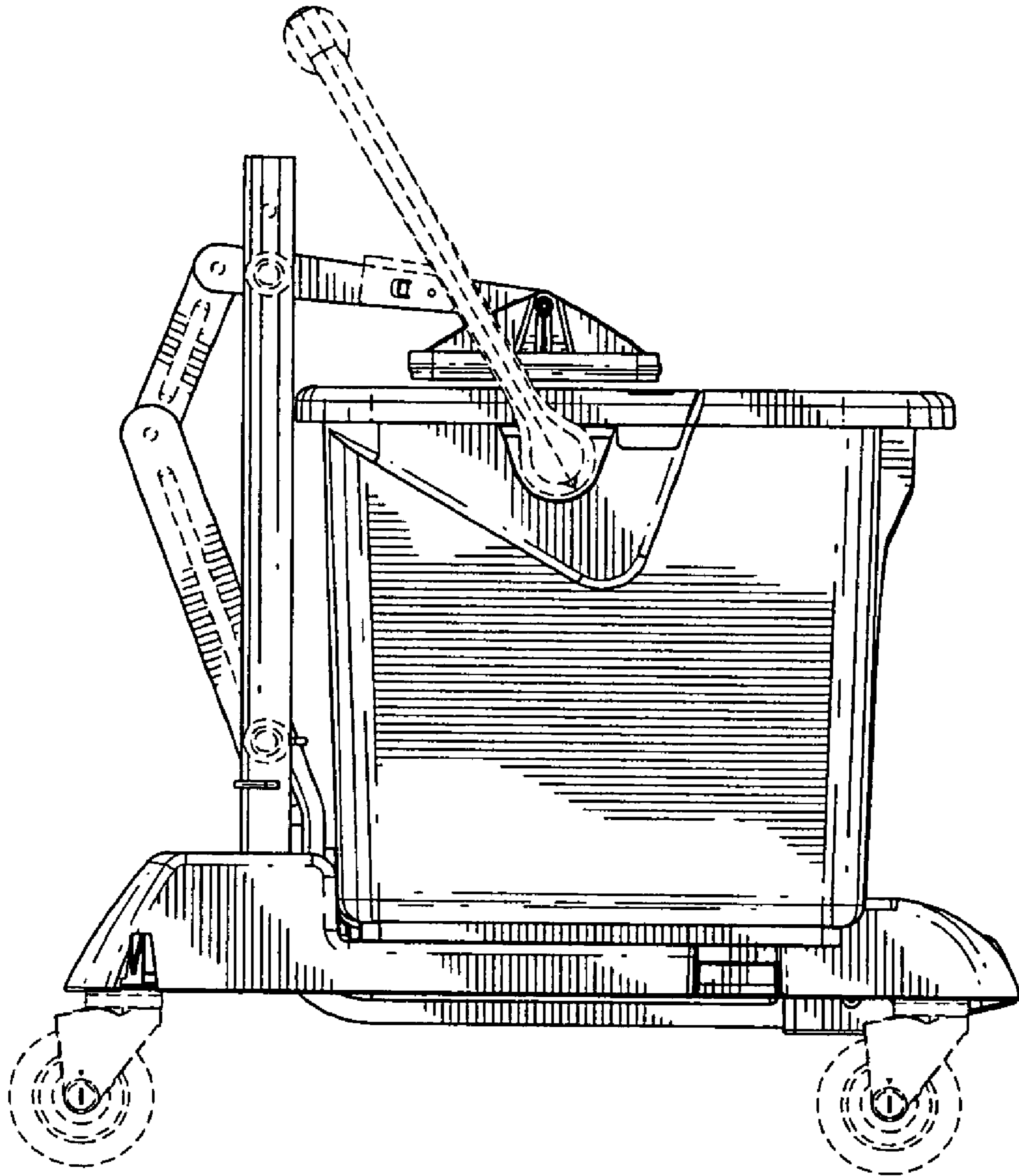


FIG. 4

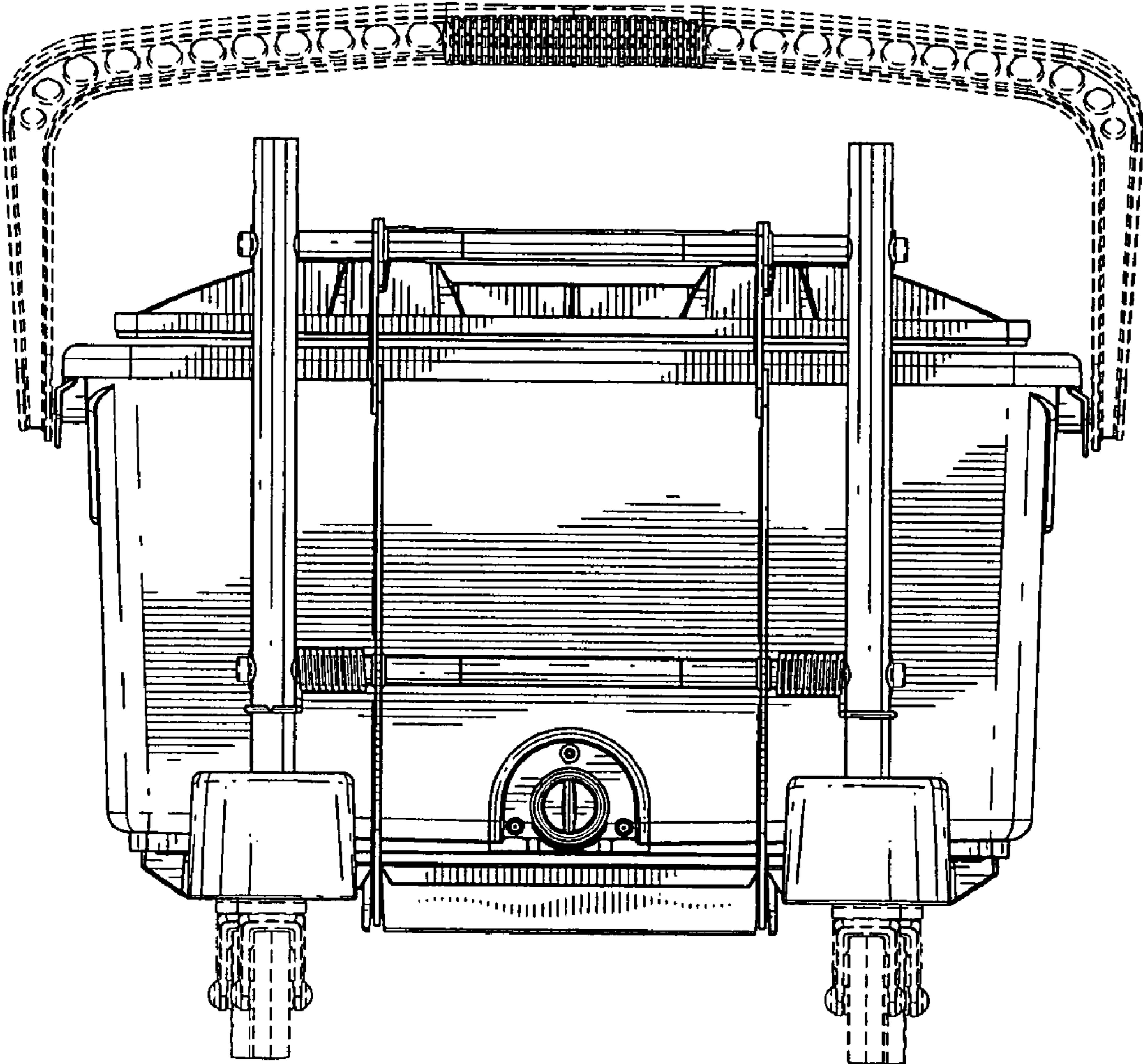


FIG. 5



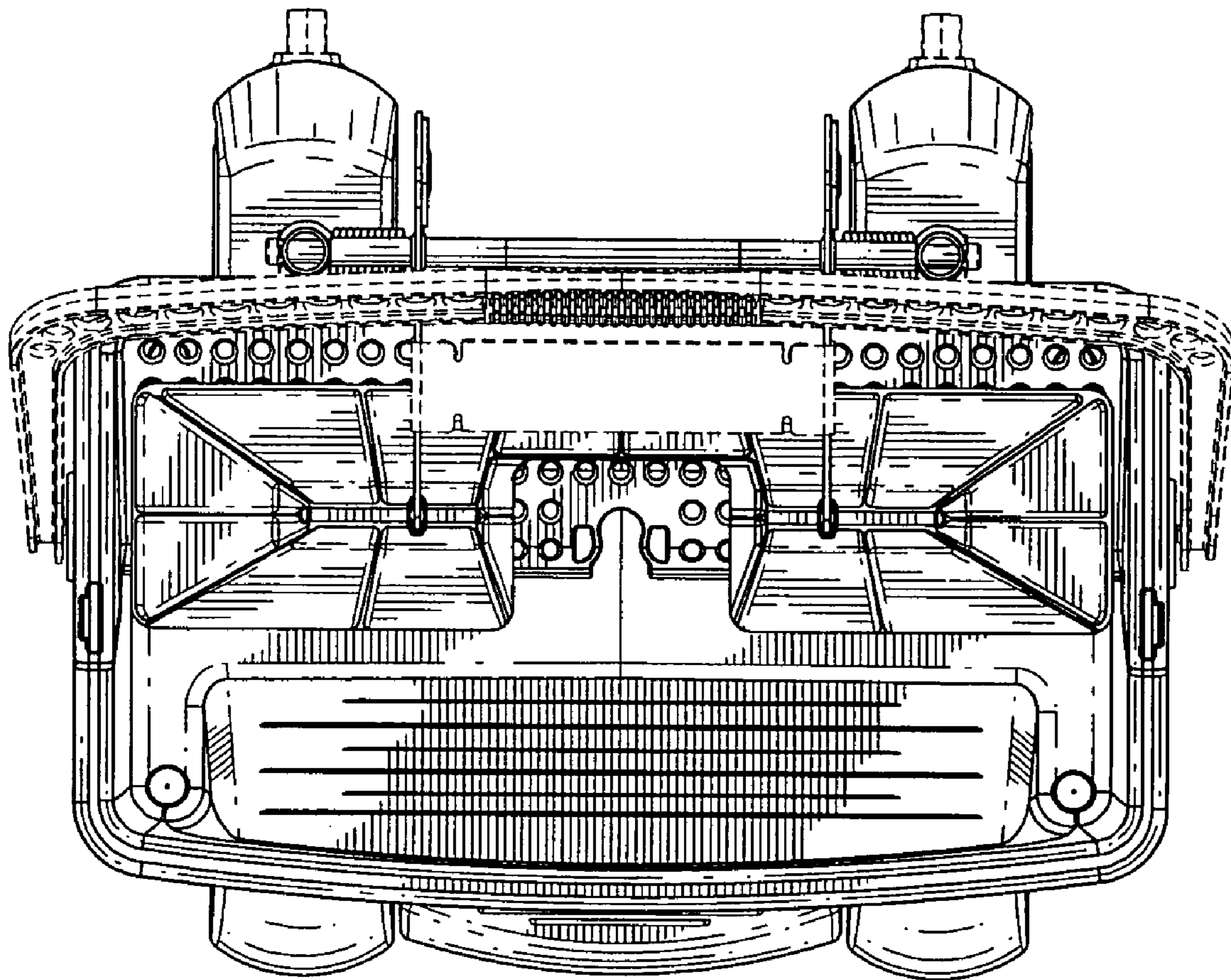


FIG. 6

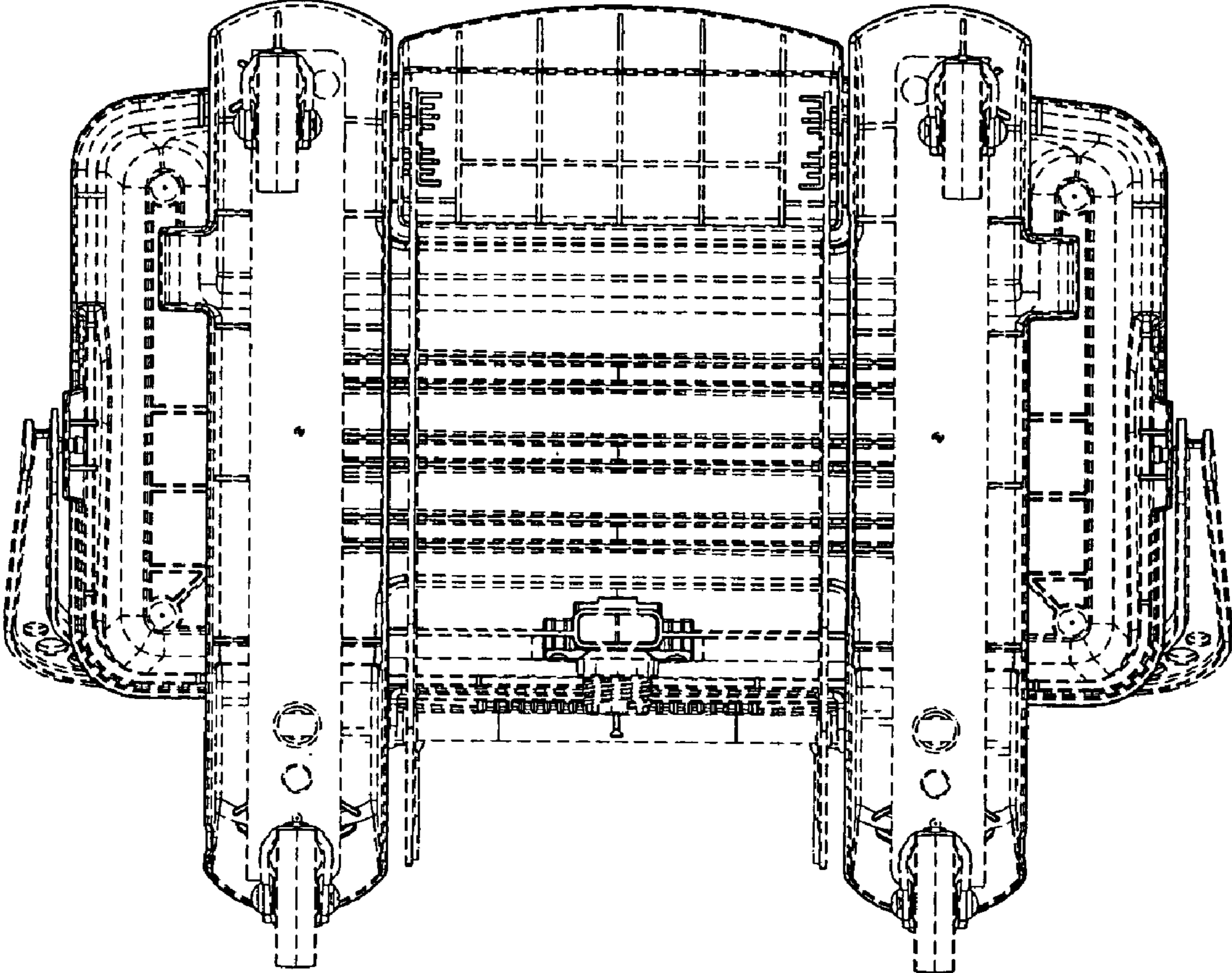


FIG. 7