



US00D548911S

(12) **United States Design Patent**  
**Main et al.**

(10) **Patent No.:** **US D548,911 S**

(45) **Date of Patent:** **\*\* Aug. 14, 2007**

(54) **COMBINED MOTORIZED BROOM AND COLLECTOR**

(75) Inventors: **Stacey Main**, Orlando, FL (US);  
**Christopher J. Murray**, Baltimore, MD (US)

(73) Assignee: **Black & Decker Inc.**, Newark, DE (US)

(\*\*) Term: **14 Years**

(21) Appl. No.: **29/229,962**

(22) Filed: **May 13, 2005**

(51) **LOC (8) Cl.** ..... **04-01**

(52) **U.S. Cl.** ..... **D32/50; D32/38**

(58) **Field of Classification Search** ..... D32/35,  
D32/38, 39, 40, 50, 51, 52, 15, 17, 18, 19,  
D32/21, 22, 25, 31, 32, 33; D4/199; 15/98,  
15/97.1, 4, 300.1, 363, 105, 159.1, 42  
See application file for complete search history.

(56) **References Cited**

**U.S. PATENT DOCUMENTS**

805,904 A	11/1905	Despain	
1,375,017 A	4/1921	Russell	
1,466,454 A	8/1923	Mock	
2,459,007 A	1/1949	Taylor	
2,789,839 A	4/1957	Siebert	
2,846,711 A	8/1958	Brace	
2,893,046 A	7/1959	Thompson	
3,069,716 A	12/1962	Smith	
3,072,951 A	1/1963	Kelnhofer	
3,209,385 A	10/1965	Buck	
3,210,792 A	10/1965	Sassano, Sr.	
3,453,676 A	7/1969	Meszaros	
3,460,188 A	8/1969	Boyd	
3,594,841 A *	7/1971	Kieves	15/4
3,633,241 A	1/1972	Schmitz et al.	

3,800,351 A	4/1974	Fukuba
3,827,098 A	8/1974	Sanderson
3,992,747 A	11/1976	Hufton
4,020,526 A	5/1977	Johansson
4,307,479 A	12/1981	Mertes et al.
4,369,539 A	1/1983	Nordeen

(Continued)

**FOREIGN PATENT DOCUMENTS**

DE P 16 32 378.7 11/1970

(Continued)

*Primary Examiner*—Alan P. Douglas

*Assistant Examiner*—Barbara Fox

(74) *Attorney, Agent, or Firm*—Harness, Dickey & Pierce, P.L.C.

(57) **CLAIM**

The ornamental design for a combined motorized broom and collector, as shown and described.

**DESCRIPTION**

FIG. 1 is a perspective view of a combined motorized broom and collector in accordance with the present invention in a sweeping position.

FIG. 2 is a front elevation view of FIG. 1.

FIG. 3 is a left side elevation view of FIG. 1.

FIG. 4 is a top plan view of FIG. 1.

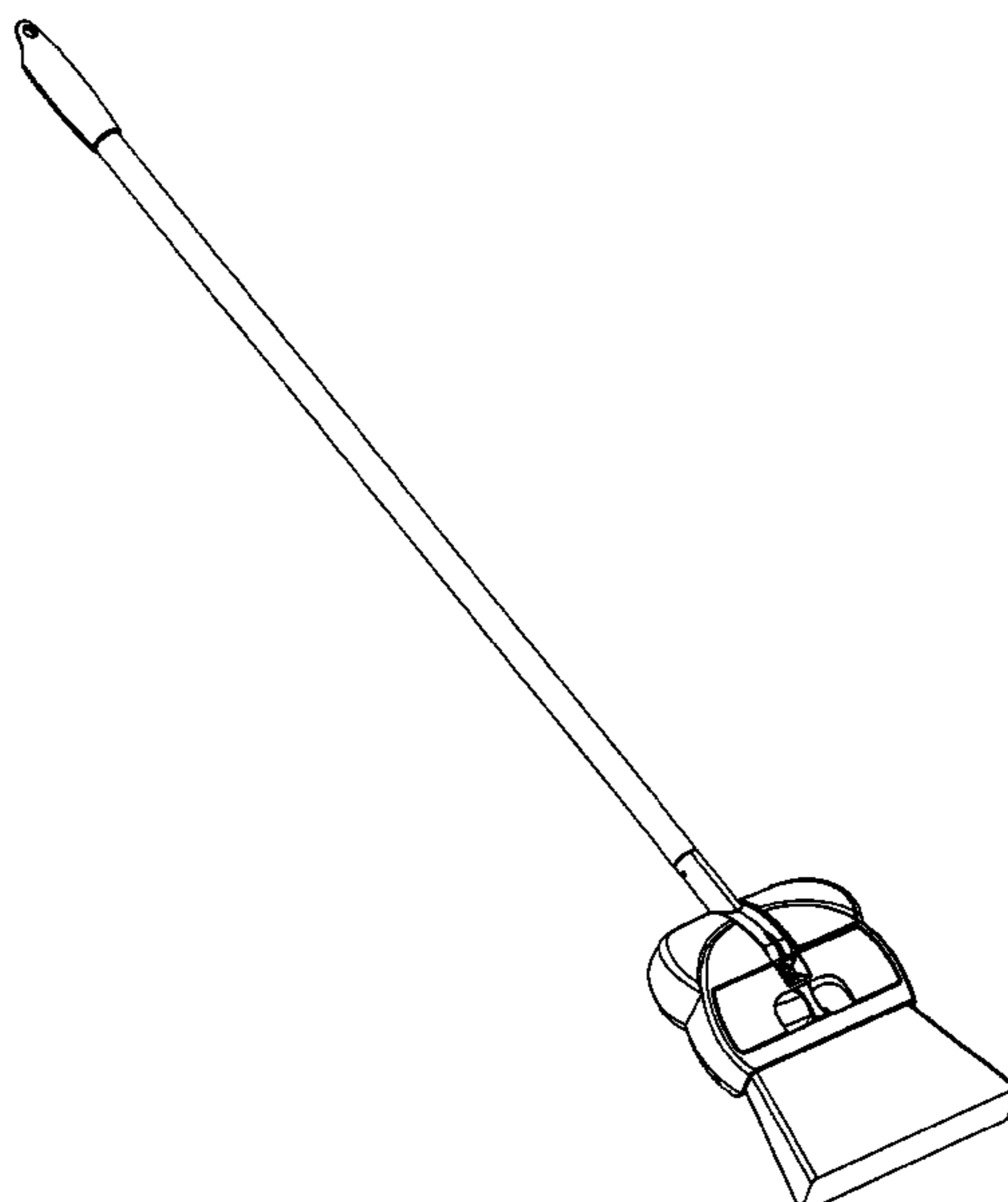
FIG. 5 is a bottom plan view of FIG. 1.

FIG. 6 is a right side elevation view of FIG. 1.

FIG. 7 is rear elevation view of FIG. 1; and,

FIG. 8 is a perspective view of a motorized broom and collector in accordance with the present invention with the broom in a collection position.

**1 Claim, 6 Drawing Sheets**



# US D548,911 S

## U.S. PATENT DOCUMENTS

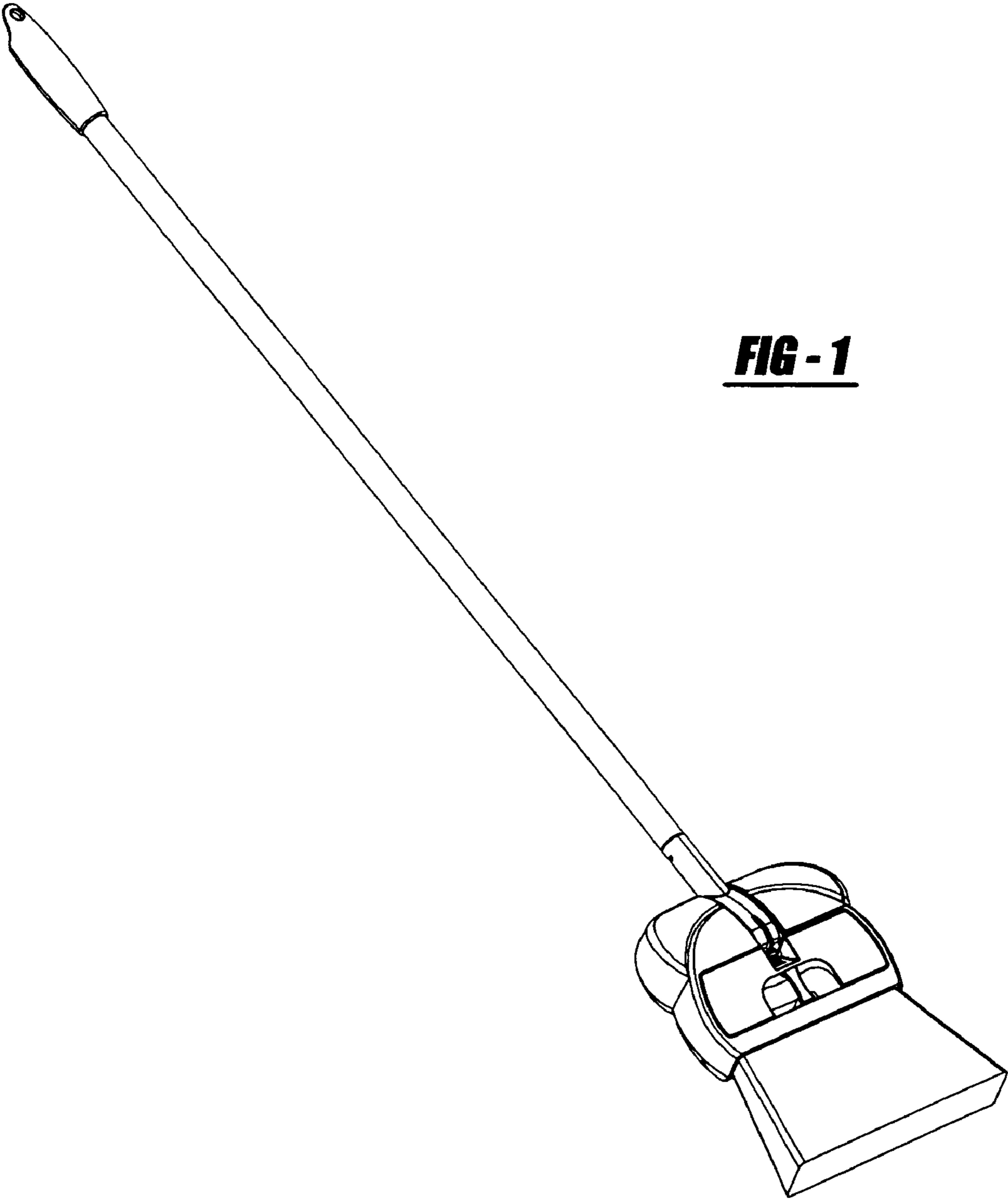
4,489,457 A 12/1984 Deimel et al.  
 D286,697 S \* 11/1986 Marttinen ..... D32/74  
 4,701,969 A 10/1987 Berfield et al.  
 4,709,436 A 12/1987 Berfield et al.  
 D300,905 S \* 5/1989 Perkins ..... D9/415  
 4,864,682 A 9/1989 Bewley, Jr. et al.  
 4,878,261 A 11/1989 Rosendall  
 5,054,156 A 10/1991 Watanabe et al.  
 5,101,534 A 4/1992 Watanabe et al.  
 5,208,935 A 5/1993 Jailor et al.  
 5,224,232 A 7/1993 Zahuranec et al.  
 5,236,237 A 8/1993 Shultz  
 5,301,387 A 4/1994 Thomas et al.  
 5,379,481 A 1/1995 DeMars  
 5,400,467 A 3/1995 Hwang  
 D358,244 S \* 5/1995 Teufel et al. .... D32/44  
 5,432,976 A 7/1995 Alazet  
 5,452,490 A 9/1995 Brundula et al.  
 D362,754 S \* 10/1995 Martini ..... D4/137  
 5,469,594 A \* 11/1995 Nolte ..... 15/121  
 5,495,634 A 3/1996 Brundula et al.  
 5,500,979 A 3/1996 Worwag  
 D370,322 S \* 5/1996 Canni Ferrari ..... D32/50  
 D376,698 S \* 12/1996 Mikuljan ..... D4/132  
 5,617,610 A 4/1997 Dearaujo  
 5,638,572 A 6/1997 Canni Ferrari  
 D383,578 S \* 9/1997 Ho ..... D32/51  
 5,664,279 A 9/1997 Vosbikian  
 D384,506 S \* 10/1997 Canni Ferrari ..... D4/100  
 5,722,112 A \* 3/1998 Scanni et al. .... 15/344  
 5,799,360 A 9/1998 Vosbikian  
 5,819,366 A 10/1998 Edin  
 5,839,158 A \* 11/1998 Schupp et al. .... 15/350  
 D403,865 S \* 1/1999 Packer ..... D4/118  
 D406,420 S \* 3/1999 Sin ..... D32/22  
 5,887,314 A 3/1999 Jordan, Jr.  
 5,909,755 A 6/1999 Leal  
 5,920,939 A 7/1999 Worwag  
 D412,401 S \* 8/1999 Stutzer et al. .... D4/135  
 5,970,558 A 10/1999 Canavan et al.  
 6,029,311 A 2/2000 Scanni et al.  
 D424,263 S \* 5/2000 Canni Ferrari et al. .... D32/51  
 6,088,868 A 7/2000 Cervený  
 6,105,194 A 8/2000 Rudolph  
 6,125,500 A \* 10/2000 Kat ..... 15/344  
 6,161,242 A \* 12/2000 Cabrero Gomez et al. 15/147.1  
 6,256,833 B1 7/2001 Eidson et al.  
 6,279,198 B1 8/2001 Martin et al.  
 6,314,611 B1 11/2001 Sauers  
 6,421,874 B1 7/2002 McCormick  
 6,497,002 B2 12/2002 Paterson et al.  
 6,499,183 B1 12/2002 Paterson et al.  
 6,530,106 B1 3/2003 Brundula  
 6,536,075 B1 3/2003 Bonnet et al.  
 6,539,575 B1 4/2003 Cohen  
 6,574,823 B1 6/2003 Stegens

6,591,440 B2 7/2003 Stegens et al.  
 6,591,441 B2 7/2003 Stegens et al.  
 D478,698 S 8/2003 Mertes et al.  
 6,760,952 B1 7/2004 Stegens  
 6,772,477 B2 8/2004 Murphy et al.  
 6,779,231 B1 8/2004 Stegens et al.  
 6,799,351 B2 10/2004 Porath  
 2003/0028982 A1 2/2003 Kress  
 2003/0066150 A1 4/2003 Stegens et al.  
 2003/0110584 A1 6/2003 Clare et al.  
 2003/0145424 A1 8/2003 Stephens et al.  
 2003/0145425 A1 8/2003 Martienz  
 2003/0204926 A1 11/2003 Jurgens et al.  
 2003/0233718 A1 12/2003 Heathcock et al.  
 2004/0031111 A1 2/2004 Porchia et al.  
 2004/0031124 A1 2/2004 Kimmerle et al.  
 2004/0034966 A1 2/2004 Townsend  
 2004/0064910 A1 4/2004 Young  
 2004/0134803 A1 7/2004 Michelson et al.  
 2004/0181890 A1 9/2004 Roberson  
 2005/0044648 A1 \* 3/2005 Jones et al. .... 15/172  
 2006/0282964 A1 \* 12/2006 Sclafani et al. .... 15/42

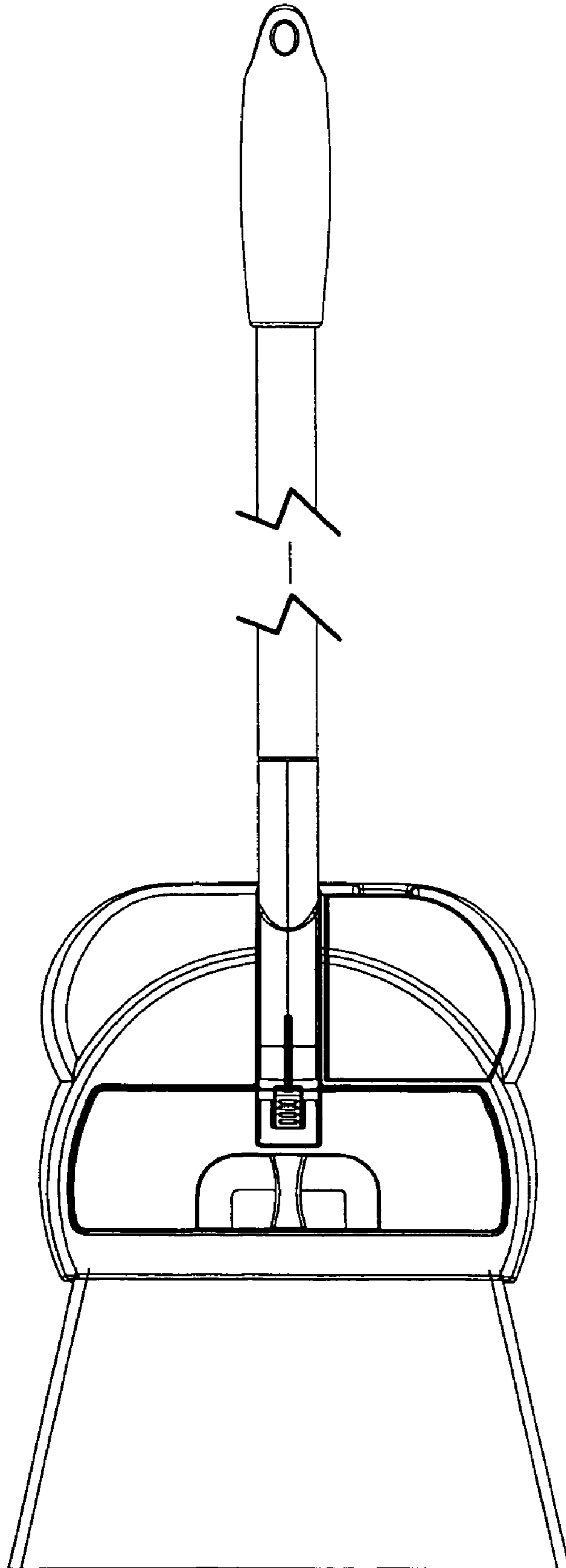
## FOREIGN PATENT DOCUMENTS

DE P 20 58 374 3/1972  
 DE P 22 02 213.5 8/1972  
 DE 24 14 826 10/1974  
 DE P 23 47 831.1 10/1975  
 DE 88 12 278 3/1990  
 DE 92 00 692 6/1992  
 DE 42 01 596 7/1993  
 DE 195 43 794.2 7/1996  
 DE 196 02 487 8/1996  
 DE 298 12 850 3/1999  
 DE 299 12 850 12/1999  
 DE 198 57 685.4 6/2000  
 DE 199 30 828 1/2001  
 EP 0 273 873 7/1988  
 EP 0158 145 10/1988  
 EP 0 382 598 8/1990  
 EP 0 650 280 7/1994  
 EP 0 623 304 11/1994  
 EP 0 743 038 5/1995  
 EP 0 688 529 12/1995  
 EP 0 809 460 8/1996  
 EP 195 03 258 8/1996  
 EP 0 788 757 8/1997  
 EP 0 885 586 12/1998  
 EP 1 067 857 10/1999  
 EP 0 780 084 11/1999  
 EP 1 122 034 8/2001  
 EP 0 590 690 12/2001  
 EP 1 330 978 7/2003  
 JP 2004-305650 11/2004  
 JP 2004-313249 11/2004

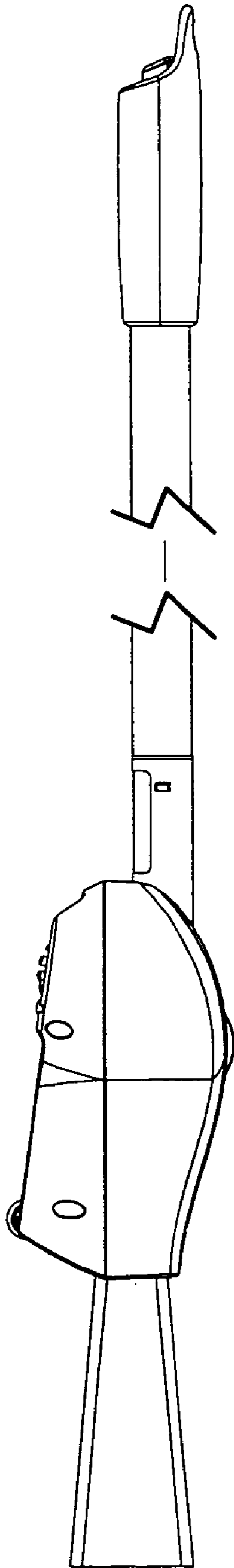
\* cited by examiner



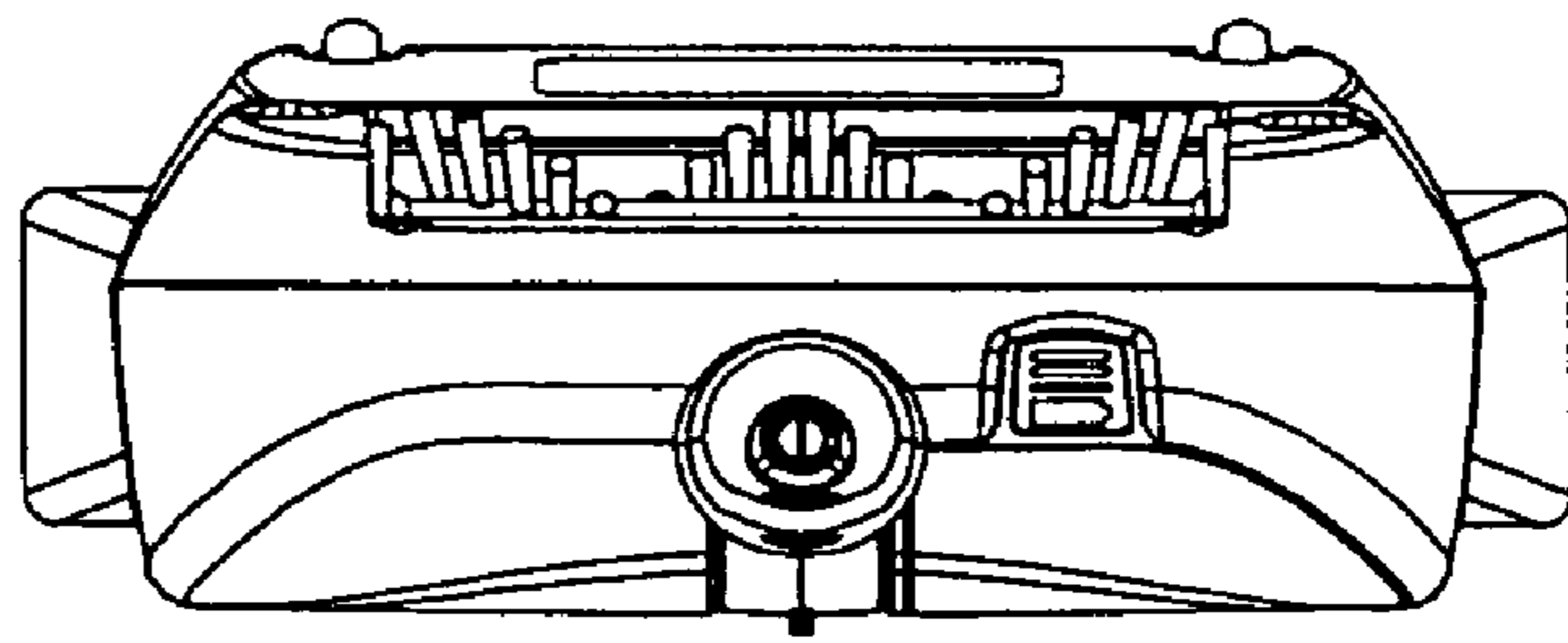
**FIG - 1**



**FIG - 2**

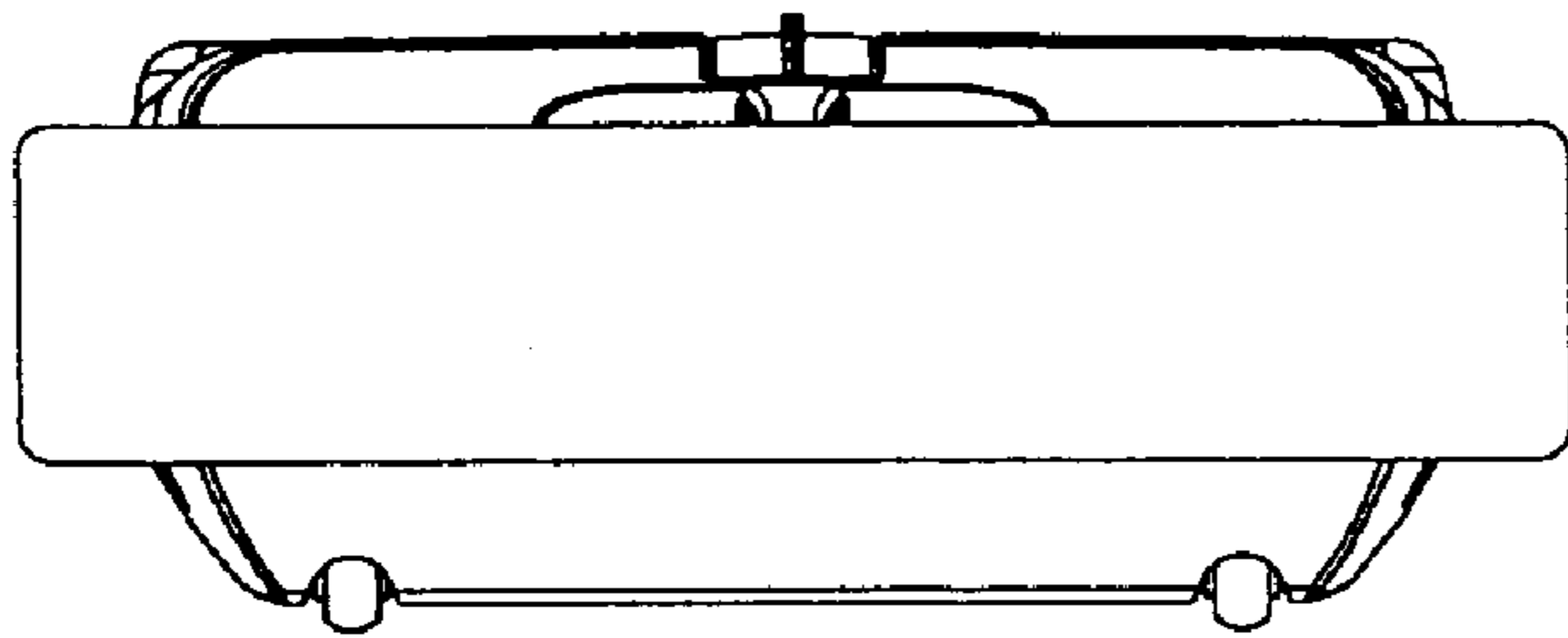


**FIG - 3**

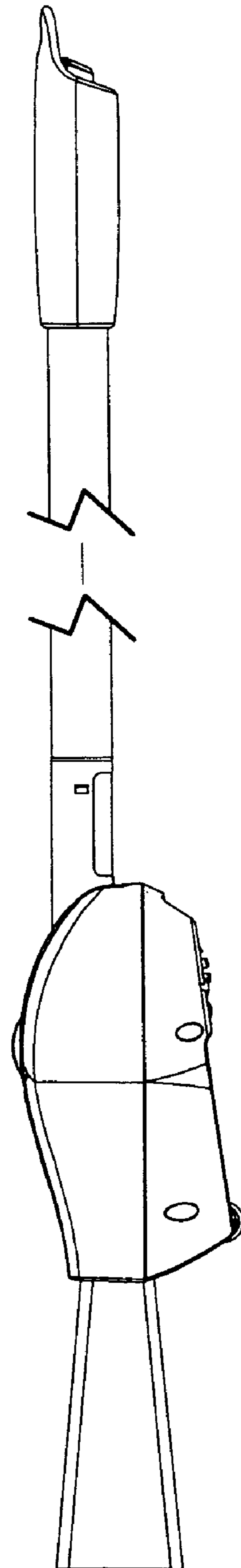


**FIG - 4**

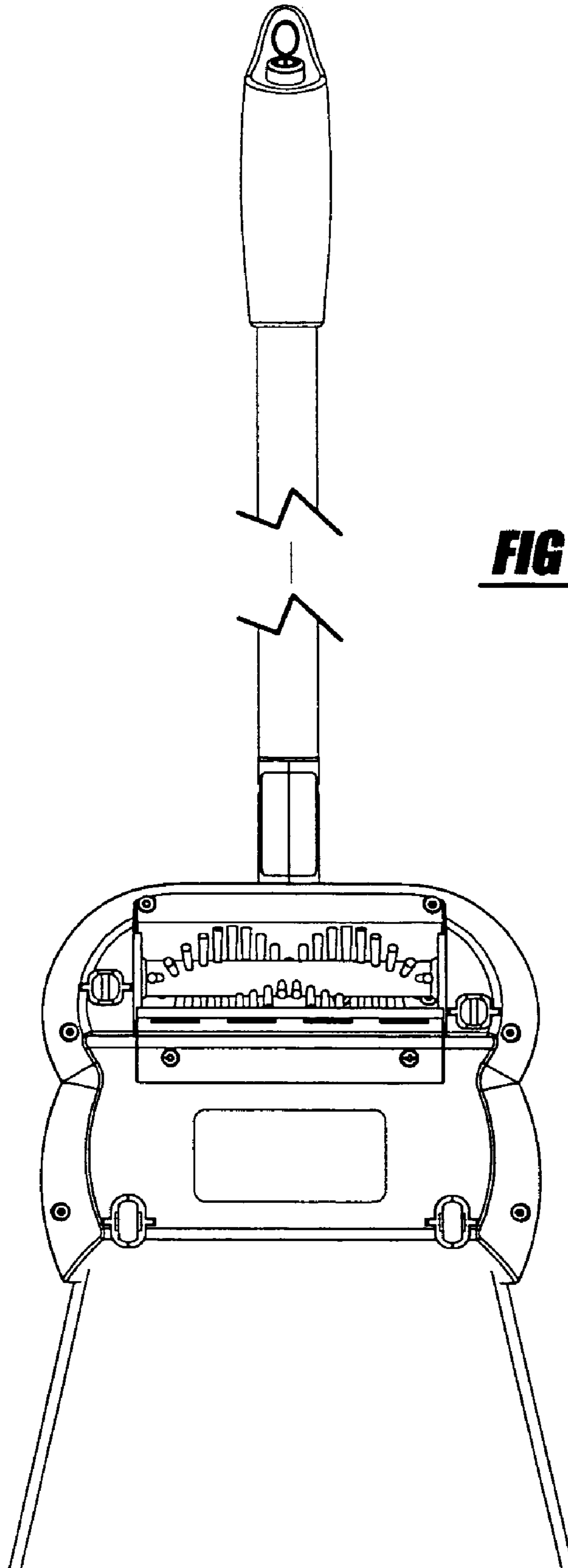




**FIG - 5**



**FIG - 6**



**FIG - 7**



**FIG - 8**