

US00D548909S

(12) **United States Design Patent**
Murray

(10) **Patent No.:** **US D548,909 S**

(45) **Date of Patent:** **** Aug. 14, 2007**

(54) **POWERED HARD FLOOR CLEANER**

(75) Inventor: **Christopher J. Murray**, Baltimore, MD (US)

(73) Assignee: **Black & Decker Inc.**, Newark, DE (US)

(**) Term: **14 Years**

(21) Appl. No.: **29/264,766**

(22) Filed: **Aug. 17, 2006**

(51) **LOC (8) Cl.** **15-05**

(52) **U.S. Cl.** **D32/45**

(58) **Field of Classification Search** D32/38-39,
D32/51-52, 40, 42, 45, 22; 15/27, 41.1,
15/42, 44-46, 52.1, 48, 50.3, 228, 179, 183;
401/137-139

See application file for complete search history.

(56) **References Cited**

U.S. PATENT DOCUMENTS

2,073,170	A	3/1937	Pieper	
D296,486	S *	6/1988	Staubitz et al.	D32/22
D398,099	S *	9/1998	Leung	D32/22
5,960,508	A	10/1999	Holt et al.	
6,045,622	A *	4/2000	Holt et al.	134/6
6,048,123	A	4/2000	Holt et al.	
6,588,045	B2 *	7/2003	Fernandez	15/119.2
6,601,261	B1 *	8/2003	Holt et al.	15/228
6,611,986	B1	9/2003	Seals	
6,651,290	B2	11/2003	Kingry et al.	
6,871,372	B2 *	3/2005	Vosbikian et al.	15/115
D510,467	S *	10/2005	Kizaki et al.	D32/38
6,979,371	B1 *	12/2005	Policicchio et al.	134/6

OTHER PUBLICATIONS

Don Aslett, *The Cleaning Encyclopedia*, A Dell Trade Paperback, p. 281.

www.dettol.co.uk, Dettol Solutions Finder.

www.leifheithousewares.com, Leifheit Housewares, Leifheit Cleaning Tools.

* cited by examiner

Primary Examiner—Pamela J. Burgess

(74) *Attorney, Agent, or Firm*—John Yun; Bruce S. Shapiro; Wesley Muller

(57) **CLAIM**

The ornamental design for a powered hard floor cleaner, as shown and described.

DESCRIPTION

FIG. 1 is a perspective view of a powered hard floor cleaner showing my new design.

FIG. 2 is a front view of a powered hard floor cleaner according to FIG. 1.

FIG. 3 is a rear view of a powered hard floor cleaner according to FIG. 1.

FIG. 4 is a right side view of a powered hard floor cleaner according to FIG. 1.

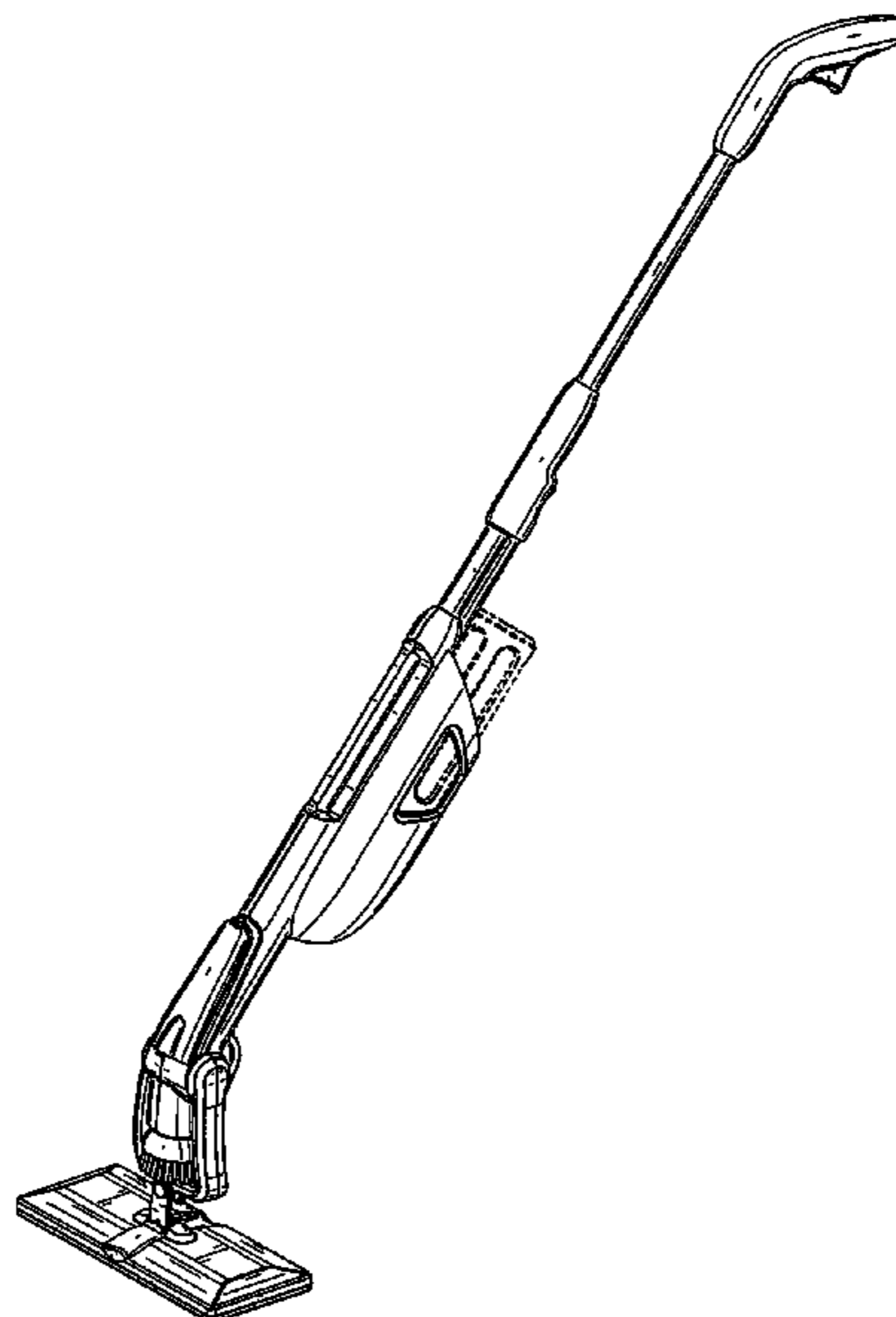
FIG. 5 is a left side view of a powered hard floor cleaner according to FIG. 1.

FIG. 6 is a top view of a powered hard floor cleaner according to FIG. 1; and,

FIG. 7 is a bottom view of a powered hard floor cleaner according to FIG. 1.

In the above drawings the broken lines and the areas within the broken lines form no part of the claimed design.

1 Claim, 5 Drawing Sheets



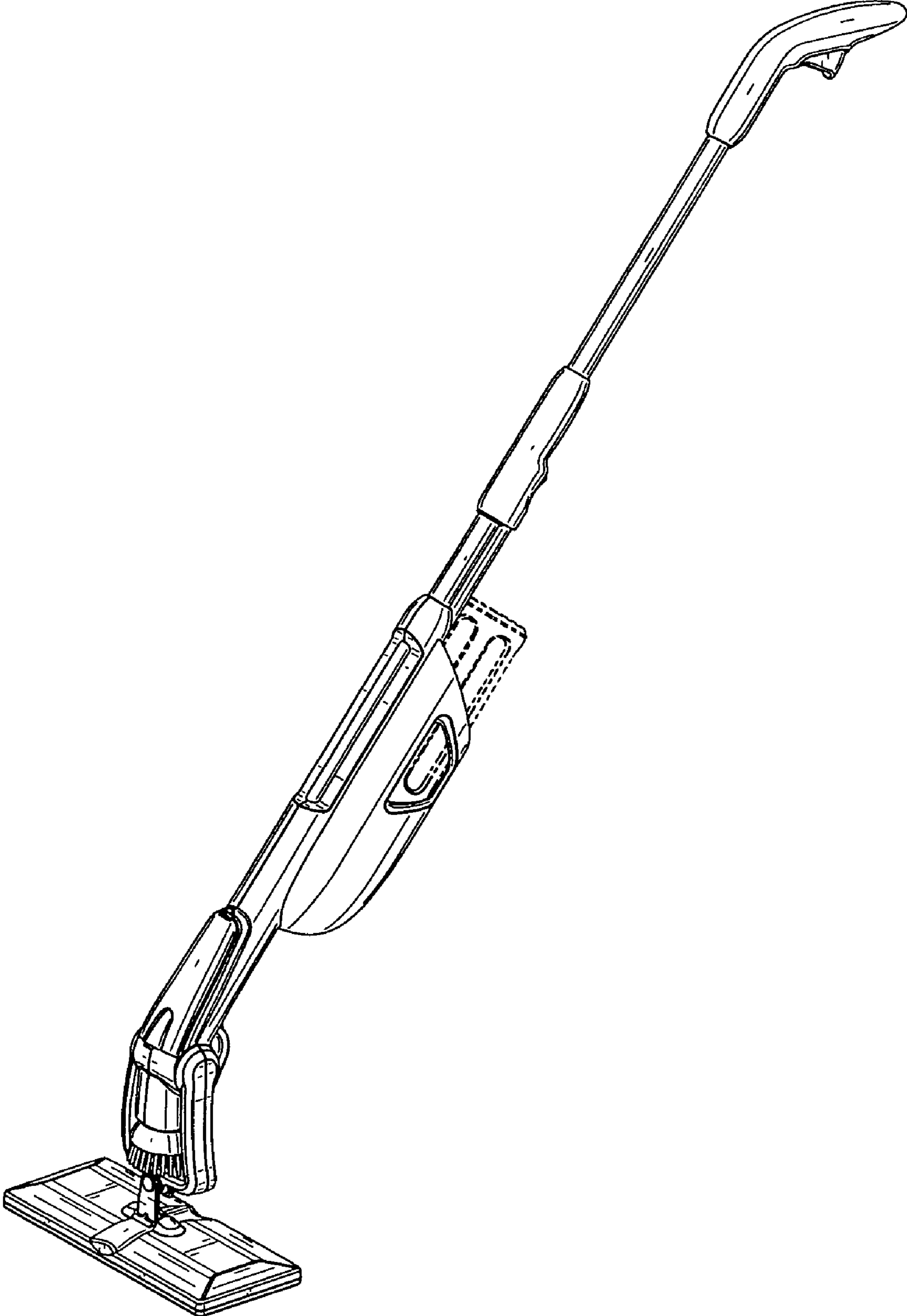


FIG. 1

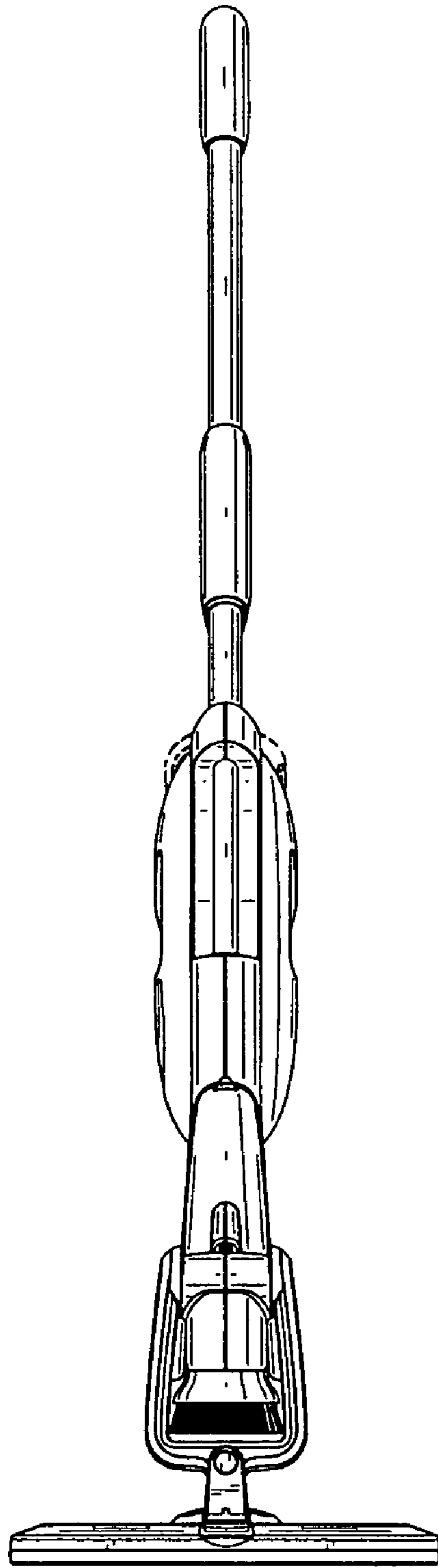


FIG. 2

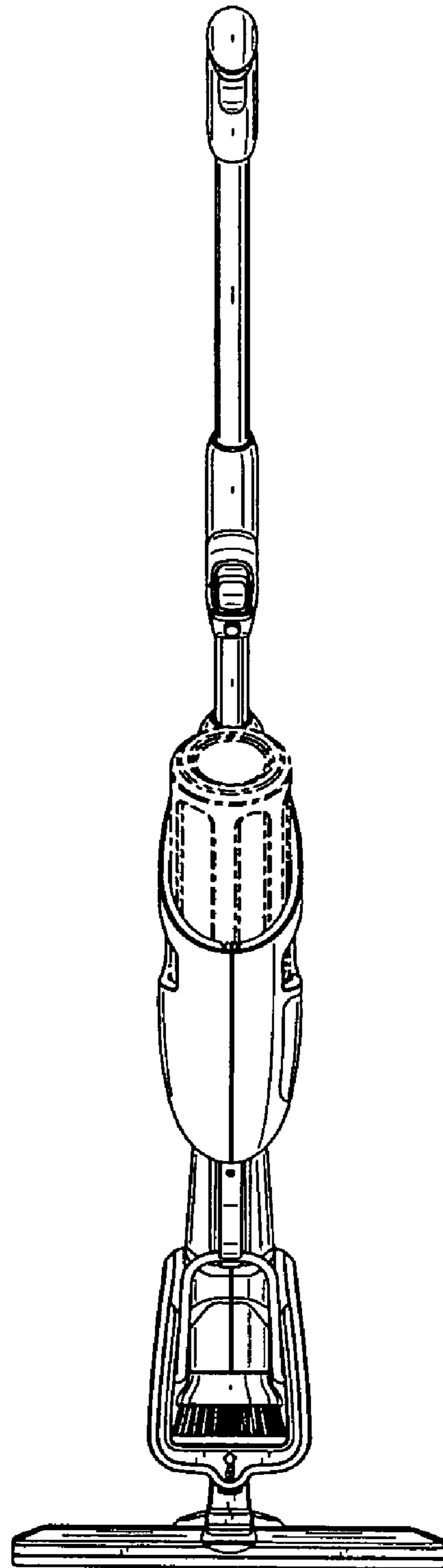


FIG. 3

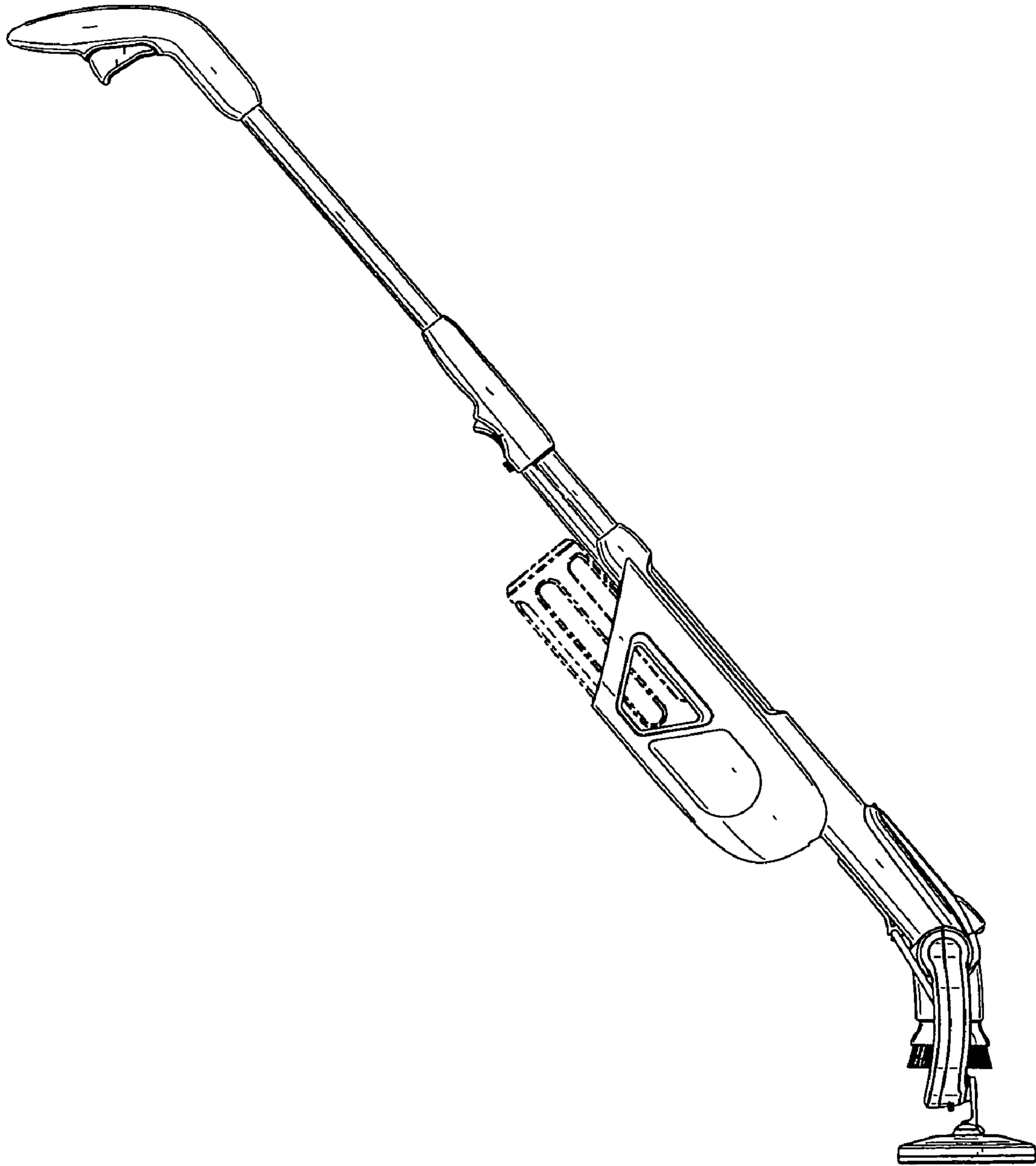


FIG. 4

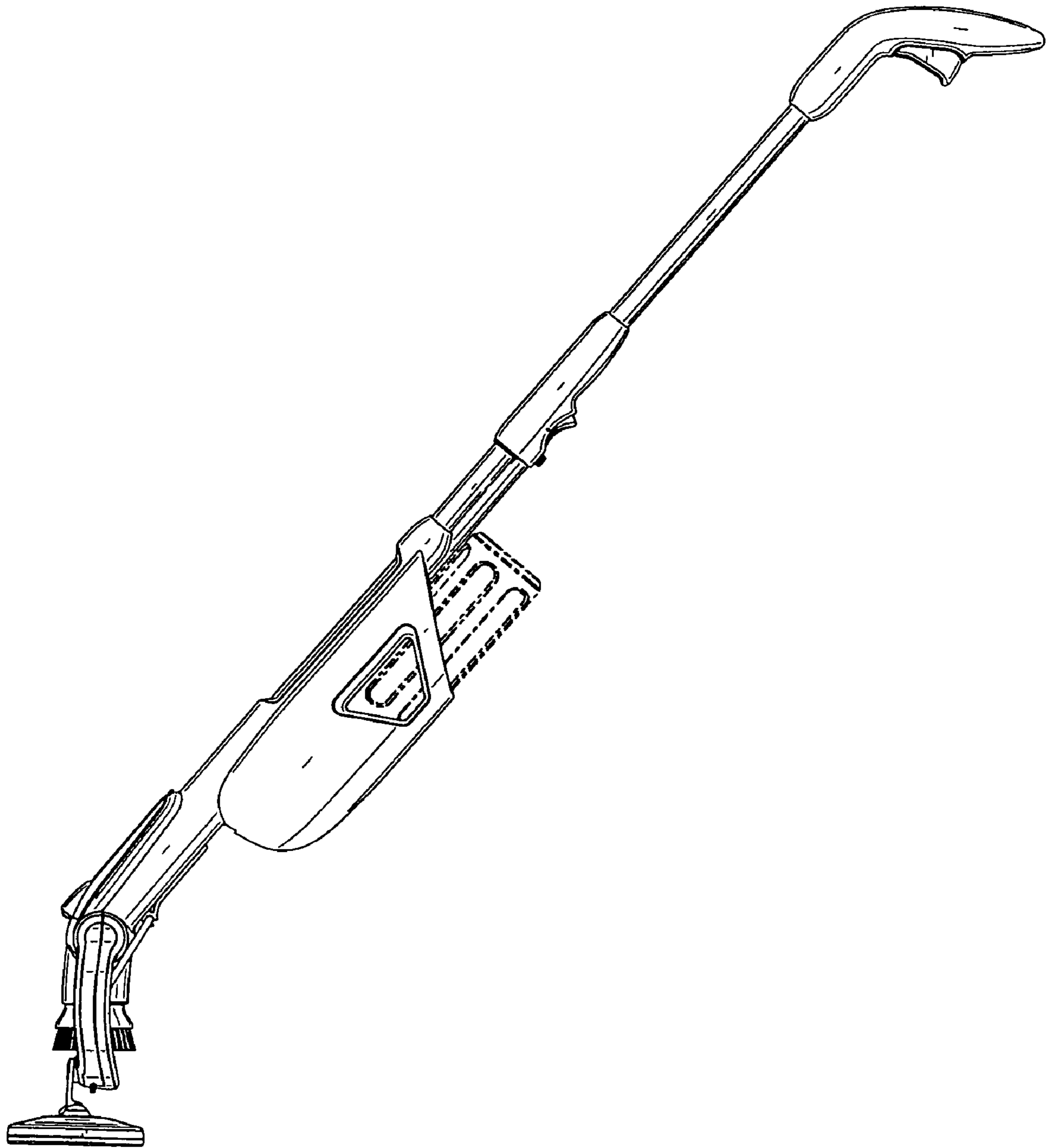


FIG. 5

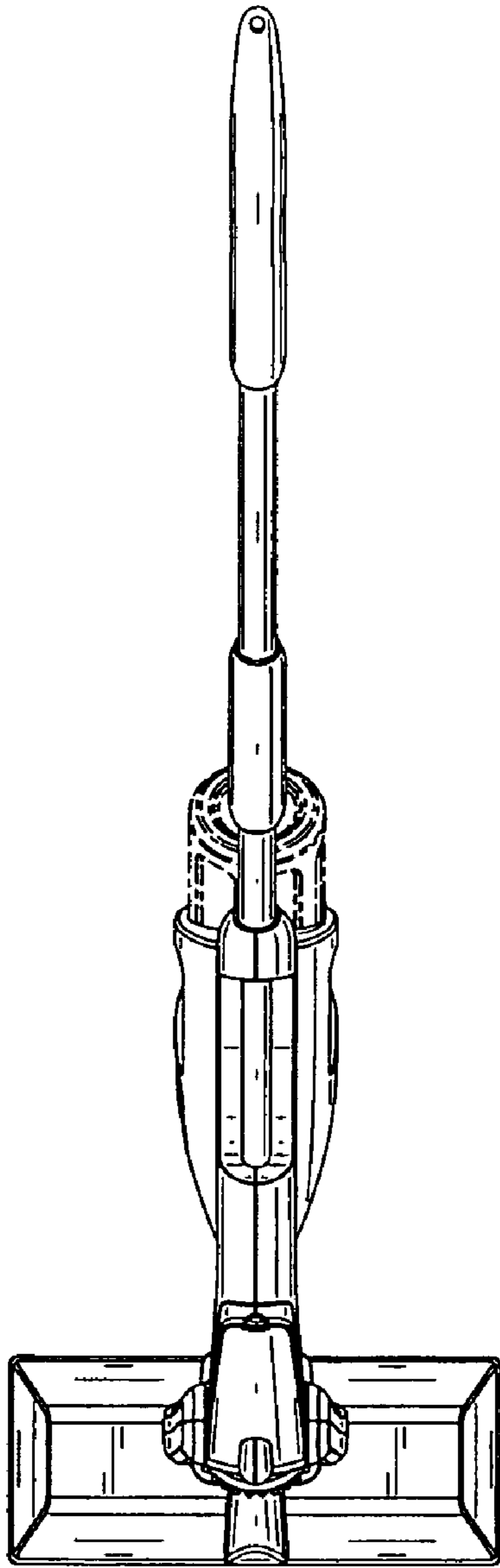


FIG. 6

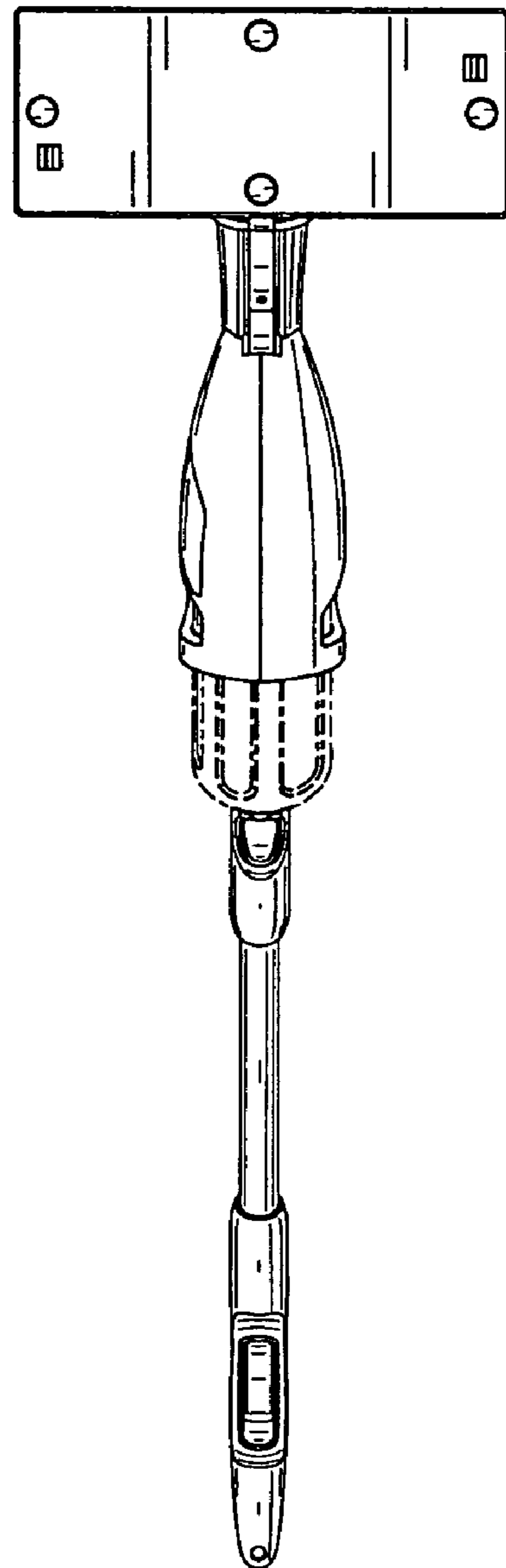


FIG. 7