



US00D548908S

(12) **United States Design Patent** (10) **Patent No.:** **US D548,908 S**
Berti (45) **Date of Patent:** **** Aug. 14, 2007**

(54) **MOP HEAD**

2004/0187240 A1* 9/2004 Berti et al. 15/116.2
2006/0090275 A1* 5/2006 Libman 15/119.2

(75) Inventor: **Enzo Berti**, Dolo (IT)

* cited by examiner

(73) Assignee: **The Libman Company**, Arcola, IL
(US)

Primary Examiner—Alan P. Douglas

Assistant Examiner—Barbara Fox

(74) *Attorney, Agent, or Firm*—Banner & Witcoff, Ltd.

(**) Term: **14 Years**

(57) **CLAIM**

(21) Appl. No.: **29/216,627**

The ornamental design for a mop head, as shown and described.

(22) Filed: **Nov. 4, 2004**

(51) **LOC (8) Cl.** **04-01**

(52) **U.S. Cl.** **D32/44**

(58) **Field of Classification Search** D32/35,
D32/40, 42, 44, 45, 50, 51; D4/199; 15/116.2,
15/119.2

See application file for complete search history.

DESCRIPTION

FIG. 1 is a perspective view of a sponge mop head showing my new design;

FIG. 2 is front view thereof;

FIG. 3 is a top view thereof;

FIG. 4 is a right side view thereof, the left side view being a mirror image thereof;

FIG. 5 is a rear view thereof; and,

FIG. 6 is a bottom view thereof.

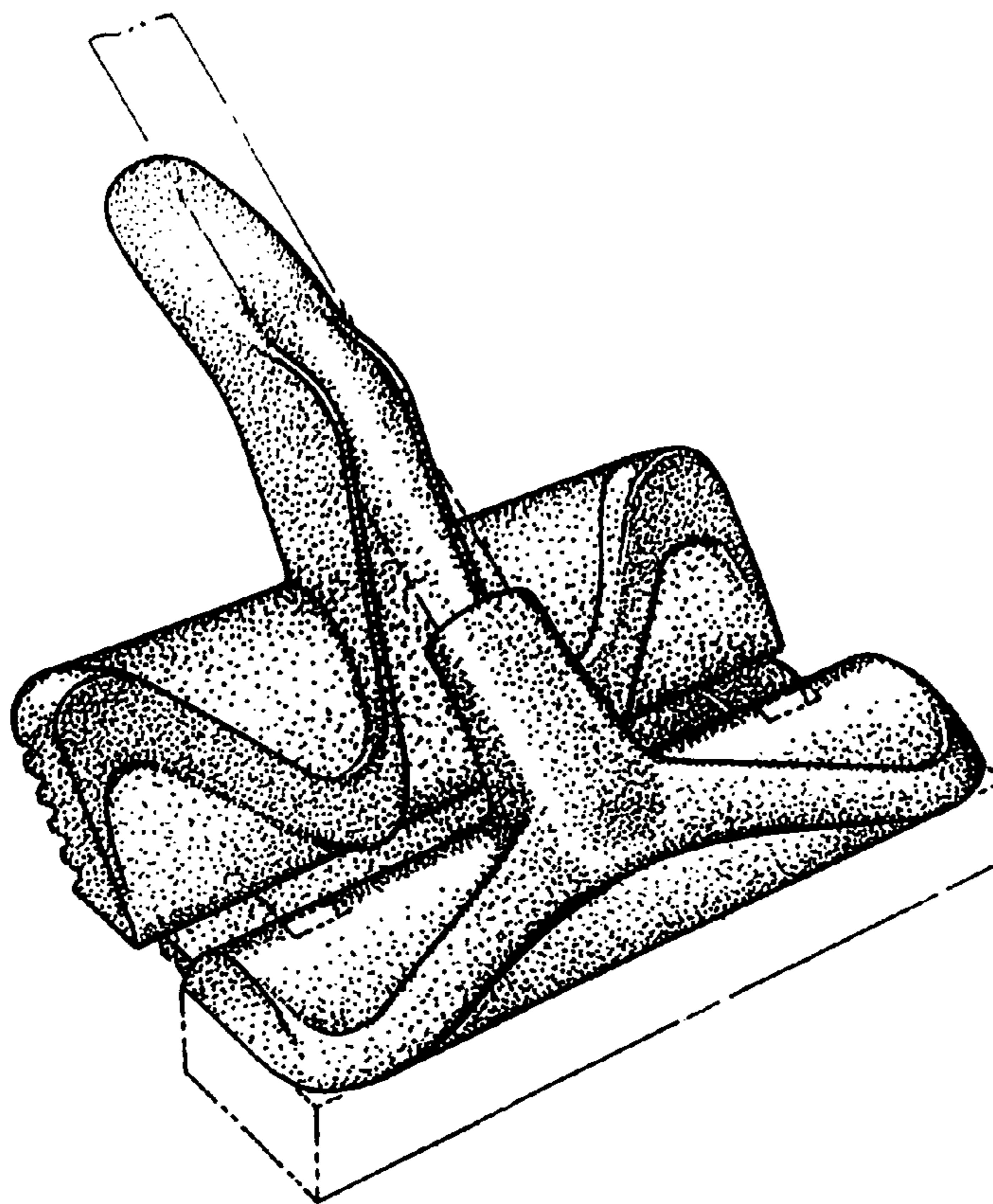
The broken line showing of the portion of the mop handle, rectangular openings along the upper surface of the mop head, sponge, tabs on the under side of the handle and channels on the squeeze plate mechanism are for illustrative purposes only and form no part of the claimed design.

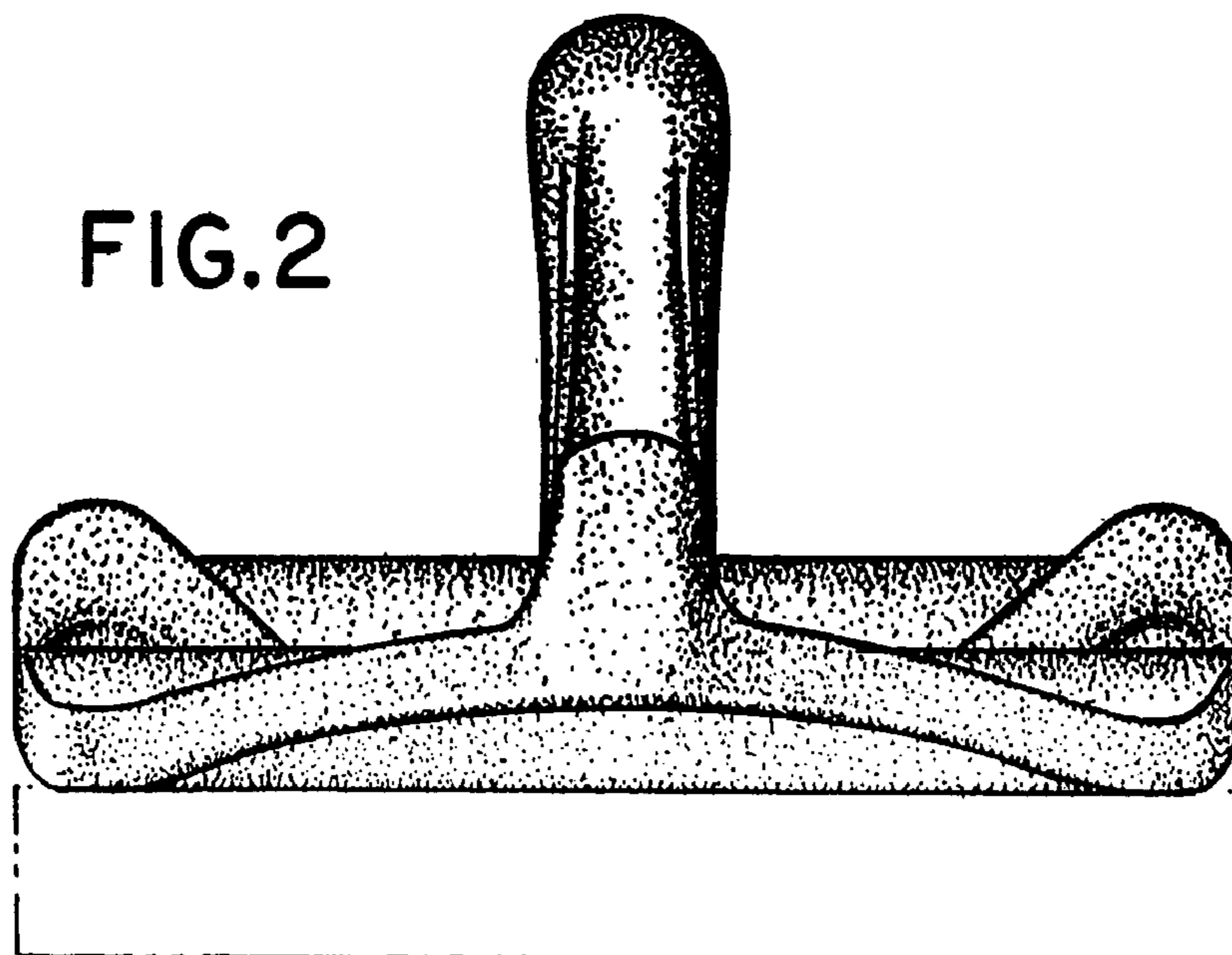
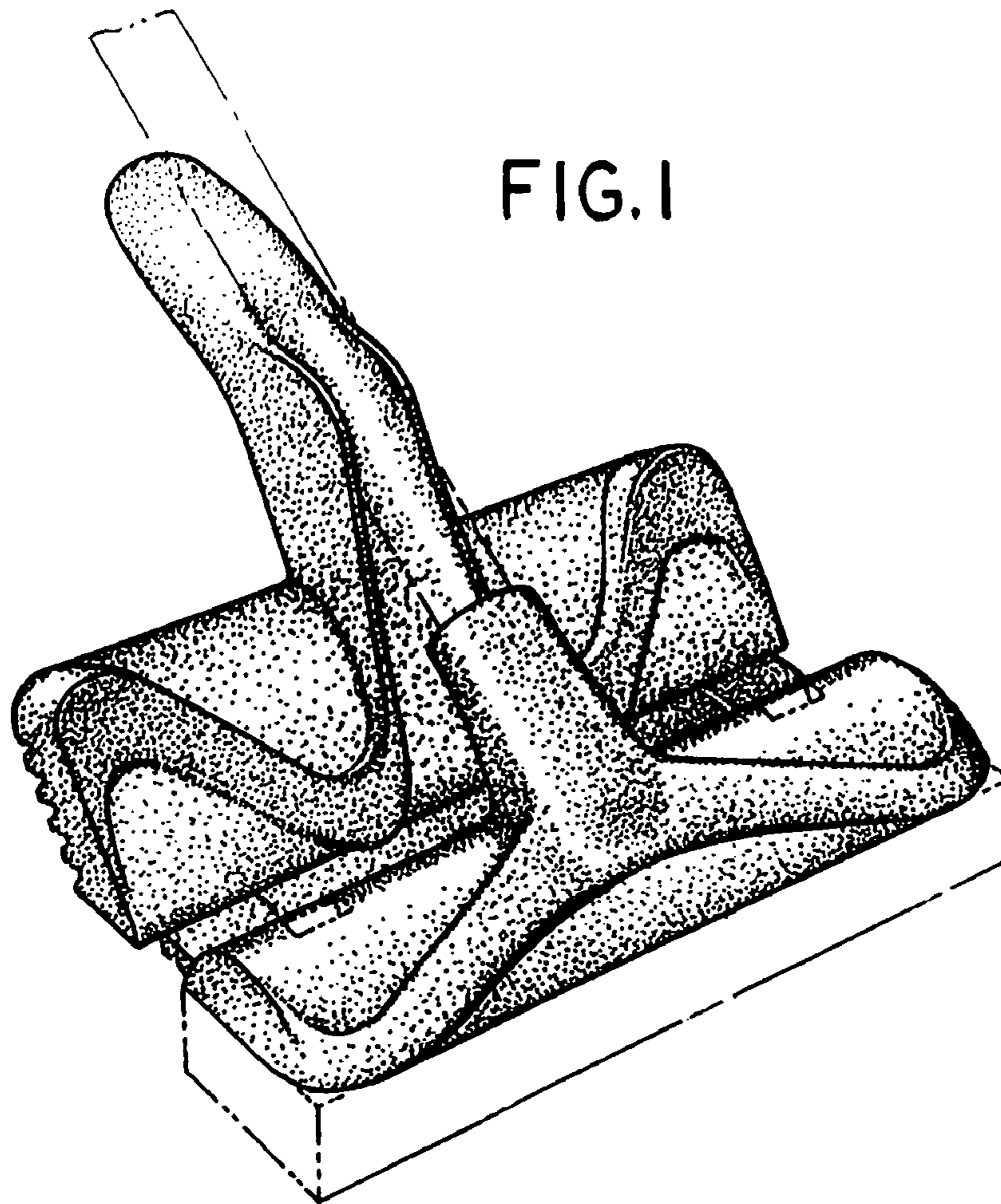
(56) **References Cited**

U.S. PATENT DOCUMENTS

3,483,583 A * 12/1969 Baumgartner 15/119.2
D369,000 S * 4/1996 Cohen D32/51
D401,702 S * 11/1998 Berti D32/44
D446,896 S * 8/2001 Cann D32/40
D505,235 S * 5/2005 Libman et al. D32/44
6,892,415 B2 * 5/2005 Libman et al. 15/116.2
D507,855 S * 7/2005 Libman et al. D32/50
D520,698 S * 5/2006 Libman et al. D32/50
D532,611 S * 11/2006 Berhoff D4/199

1 Claim, 3 Drawing Sheets





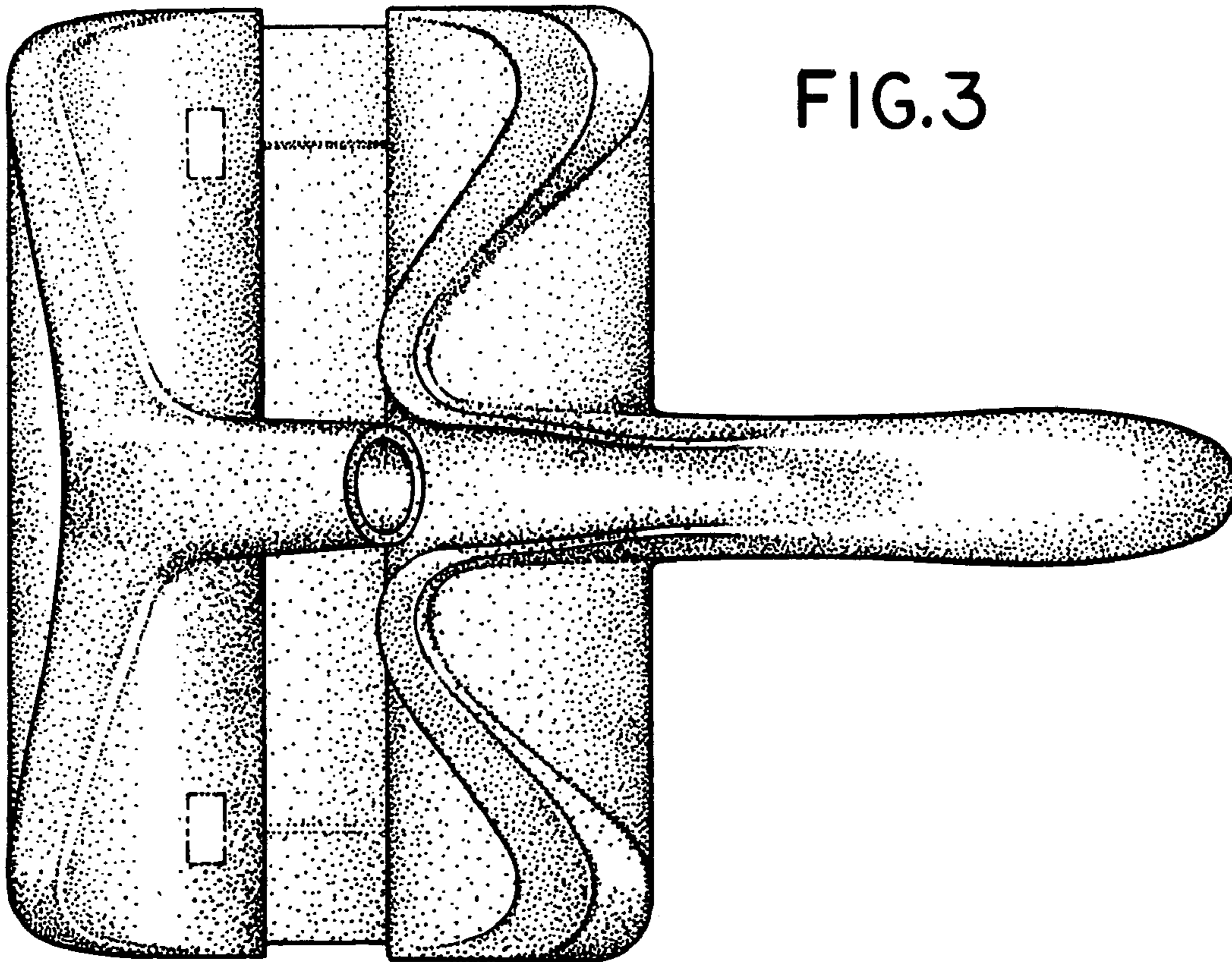


FIG. 3

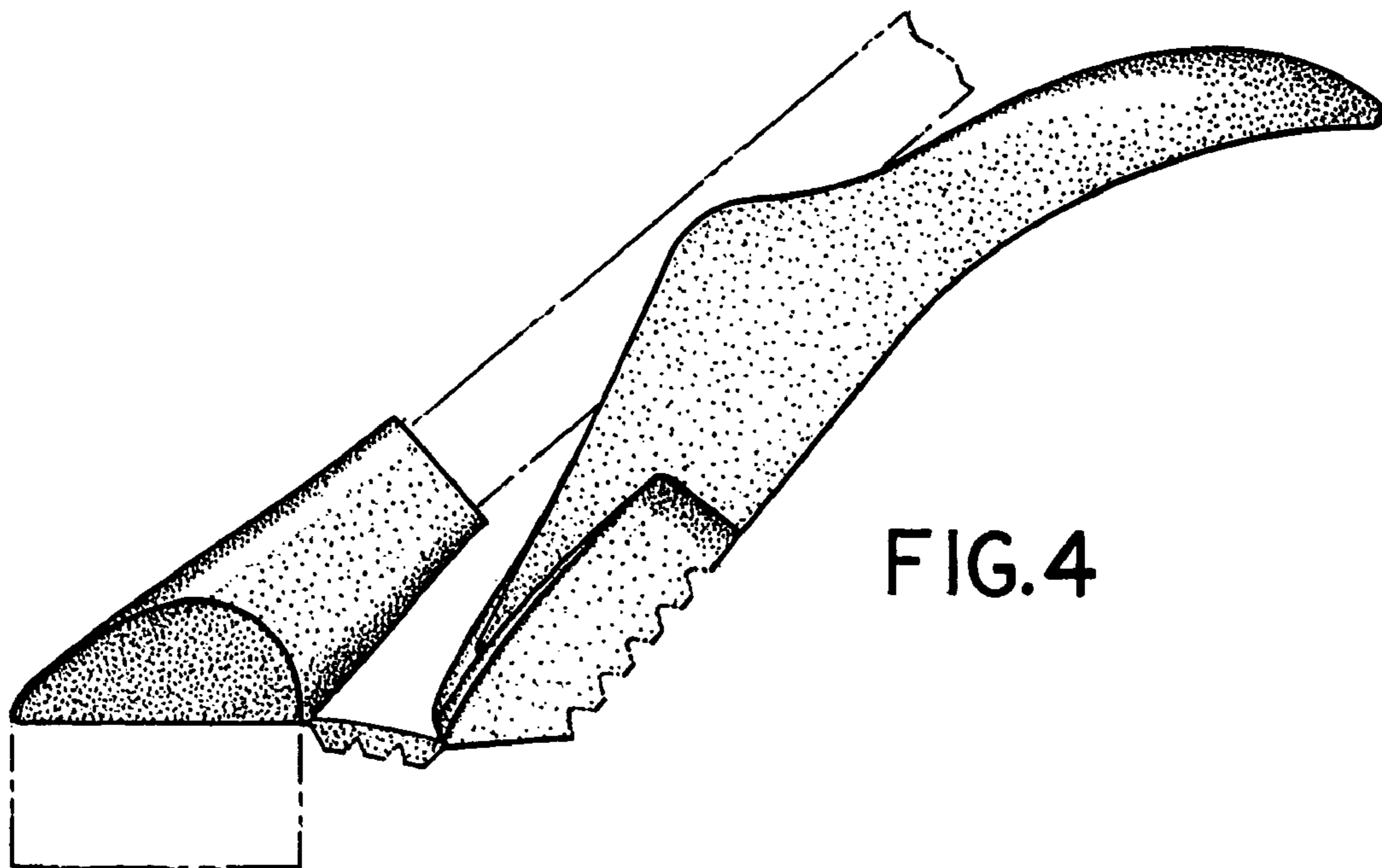


FIG. 4

FIG. 5

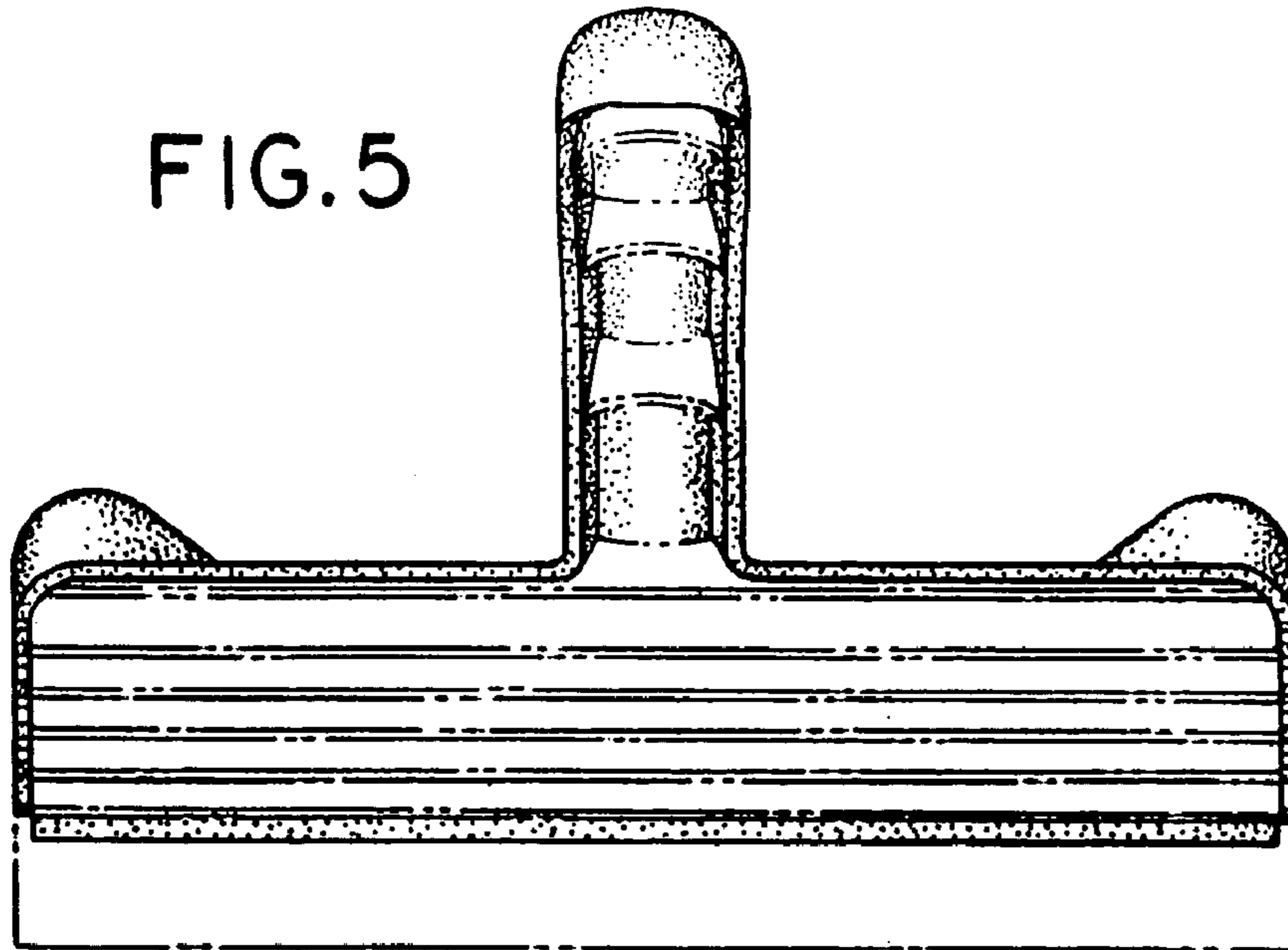


FIG. 6

